

# CALUMMA™ XS SC

Using a four high-power, single-chip LED inside a compact, elegant, and durable housing, the smallest Calumma is a great choice for many different lighting applications. Complementing both outdoor environments and interior designs, its wide range of beam angles, LED chip white variant options and accessories make the Calumma XS SC an ideal, extra small lighting solution for any architectural design.



## KEY FEATURES

### Lumen output & Light source

Luminaire with four high-power, single-chip LEDs provides up to 457 lumen output (@10°, PW 3000 K). No light spills.

### Design & Durability

Lightweight, compact, durable and stylish housing made of high-pressure die cast aluminium. IP67 and IK10 certification; suitable for marine applications (Harsh Environment Finish required) and traffic applications. Supported with a 5 year warranty.

### Flexibility

An exceptionally compact luminaire available with a wide range of accessories, custom colour finishes, and beam angle options, Calumma XS offers the lighting designer a flexible solution for the most demanding applications.

## COLOURS

### STANDARD



PW  
(3000 K)



TW  
(2200-3000 K)

### UPON REQUEST



2.200 K



2.700 K



3.000 K



4.000 K



6.500 K

AVAILABLE COLOURS  
FOR CUSTOM SETUP

## CONTROL & PROTOCOLS



REMOTE /  
REMOTE  
BASIC



PW & SINGLE  
COLOUR  
ONLY

## STANDARD & SPECIFICATION



Warranty  
with  
Registration

Vibration  
Standard  
for Bridge

## OPTIC OPTIONS

### SYMMETRICAL



10°



15°



25°



30°



45°



65°



100°

### BI-SYMMETRICAL



10°x30°



10°x60°



15°x45°



15°x90°



30°x60°



30°x90°



30°x10°



60°x10°



45°x15°



90°x15°



60°x30°



90°x30°

## FINISH OPTIONS

\* CLOSEST RAL TONE  
\* HE = Harsh Environment



Graphite Black  
RAL 9011\*



Grey Aluminium  
RAL 9007



Sandstone  
RAL 1014\*



Pure White  
RAL 9010



HE  
Graphite Black  
RAL 9011\*



HE  
Grey Aluminium  
RAL 9007



HE  
Sandstone  
RAL 1014\*



HE  
Pure White  
RAL 9010



Custom  
Paint Colour

**SPECIFICATION**

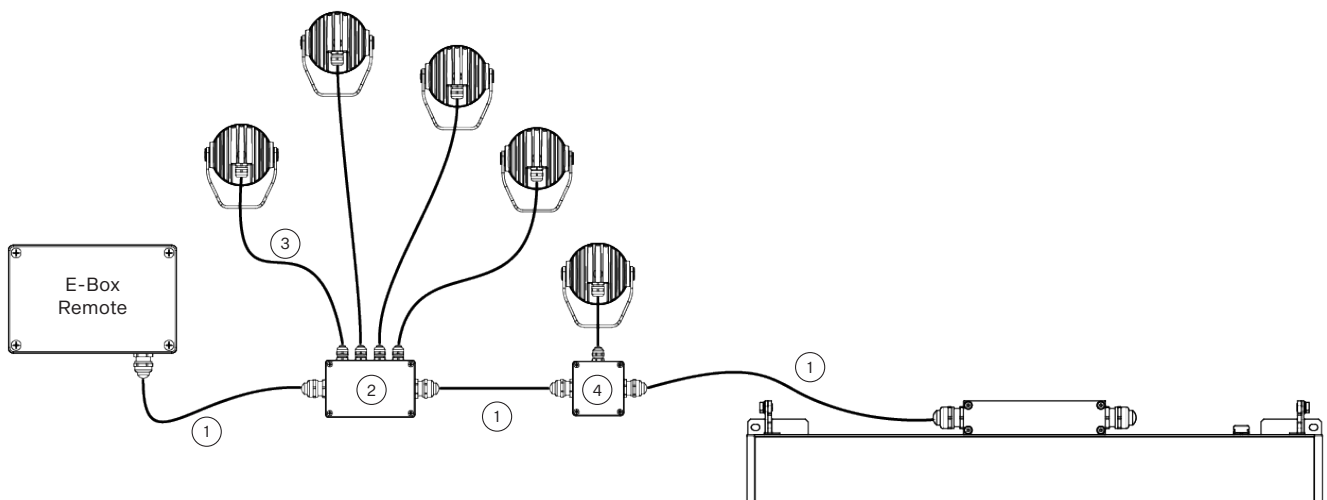
<b>ELECTRICAL</b>	Input Voltage	48 V		
	Typical Power Consumption	10 W		
<b>OPTICAL</b>	Light Source	High Power Single Chip LEDs		
	Colour Variants	Pure White (W - 3000 K)   Tuneable White (2200–3000 K) <b>Custom Setup On Request:</b> 2200 K, 2700 K, 3000 K, 4000 K, 6500 K		
	Beam Angle	10°   15°   25°   30°   45°   65°   100°		
		10°x30°   30°x10°   10°x60°   60°x10°   15°x45°   45°x15° 15°x90°   90°x15°   30°x60°   60°x30°   30°x90°   90°x30°		
	Lumen Output Delivered	457 lm (@ 10°, PW 3000 K)		
	Projected Lumen Maintenance	L90B10 >90.000 hrs, Ta = 25°C / 77°F		
<b>CONTROL</b>	Interface protocol	Via E-box Remote or E-box Remote Basic   ON/OFF (PW & single colour only)		
	E-Box Remote control protocol	USITT DMX512/RDM, ArtNet, MA Net, MA Net2, sACN, Kling-Net		
	Setting / addressing	E-box Remote, RDM communicator		
	Connectivity & Power Supply	E-Box Remote   Remote Basic		
<b>PHYSICAL</b>	Width x Height x Depth	94 x 108 x 76 mm (3.7 x 4.2 x 2.99 in.)		
	Weight	0.6 kg   1.3 lbs		
	Housing	High Pressure Die-Cast Aluminium Body   Tempered Glass		
	Finish Options	Standard Colour	Graphite Black RAL 9011   Grey Aluminium RAL 9007 Pure White RAL 9010   Sandstone RAL 1014	
		Standard Colour Harsh Environment	Graphite Black RAL 9011   Grey Aluminium RAL 9007 Pure White RAL 9010   Sandstone RAL 1014	
		Cost Option	Custom RAL	
	Cables / Connectivity	<b>IN (for DMX, DALI):</b> - 1 m cable with bare end - Other cable length - custom - Junction box - optional	<b>IN (for E-Box Version):</b> - Cable (5x20 AWG) 0.5 m, with Connector MM	
	Mounting Method	Yoke or Yoke for Pole Adaptor		
	Adjustability	+180° / -180°		
	Protection Factor	IP67 (IP66 Junction Box) / Suitable For Wet Locations		
	IK Rating	IK10		
Cooling System	Convection			
Operating Ambient Temperature	-20°C / +50°C (-4°F / +122°F)			
<b>CERTIFICATION</b>	Listings	ETL / cETL, CE, RoHS, UKCA		
<b>ACCESSORIES</b>	Not Included Items	Optical Demo Set for Calumma XS (for demo purposes)		
		Outdoor Foil Holder for Calumma XS (for permanent installation)		
		Optical Foil Set for Outdoor Foil Holder Calumma XS		
		Re-enterable Electrical Insulating Resin		
		Land Spike for Calumma XS		
		Top Hat Calumma XS		
		Half Top Hat Calumma XS		
		Twin Wall Cover Calumma XS		
Pole Adaptor (ø 102mm) (Yoke for Pole Adaptor Required)				

	Junction Box Remote (1x Output) - (10980715)
	Junction Box Remote (4x Output) - (10980716)
<b>DMX BARE-END</b>	Cable SJTW 5x14 AWG (13053336), standard with bare-end, black - 1/3/5/10 m
	Cable SJTW 5x14 AWG (13053697), with bare-end, white (on request) - 1/3/5/10 m
	Cable UL 20969 (5x20 AWG), 1 m, (13053481), black
	Cable UL 20969 (5x20 AWG), 1 m, (13053696), white (on request)
<b>ACCESSORIES</b> Not Included Items	Leader Cable FF 0.1 m CE AD-05
	Jumper Cable MM/FFCE AD-05 0.5 m   1 m   3 m   5 m
	T-connector MINI-05 MFF (13053941-01)
	T-connector MID-05 MFF (13054130)
	Waterproof Cap for M connector AD-05
	Waterproof Cap for F connector AD-05
	Cable SJTW 5x14 AWG (black or white) - main connection between Junction Boxes
	Connection Box Remote 1x Out (14 AWG–20 AWG)
	Connection Box Remote 2x Out (14 AWG–14 AWG & 20 AWG)
	Field Installable Connector MID-05 MM (14–22 AWG) - (13054126)
<b>DMX CONNECTOR SOLUTION</b>	Adaptor MINI2MID (13054150)
	Adaptor MID2MINI (13054149)

## CONTROL AND CONNECTION OPTIONS - CE

### DMX - BARE-END

- 1) SJTW 5x14 AWG (13053336), Standard 1 m with bare-end, black or on request Cable SJTW 5x14 AWG (13053697), with bare-end, white
- 2) Junction Box Remote (4x Output)
- 3) Cable UL 20969 5x20 AWG (13053481), black or on request Cable UL 20969 5x20 AWG (13053696), white
- 4) Junction Box Remote (1x Output)



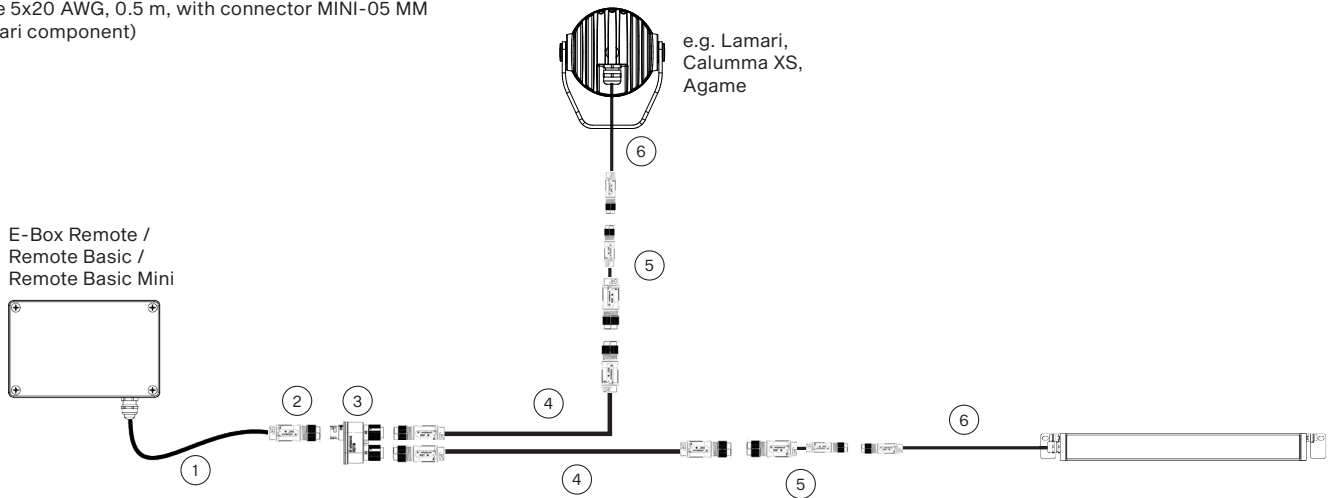
**CONTROL AND CONNECTION OPTIONS - CE**

**DMX - CONNECTOR SOLUTION**

**A E-BOX REMOTE / REMOTE BASIC / REMOTE BASIC MINI**

- 1) SJTW 5x14 AWG (13053336), standard with bare-end, black
- 2) Field Installable Connector MID-05 FF (14-22 AWG) - (13054127)
- 3) T-connector MID-05 MFF (13054130)
- 4) Jumper Cable CE/US MID-05 FF/MM (5x14 AWG), 0.5 m (13054131)
- 5) Adaptor MID2MINI (13054149)
- 6) Cable 5x20 AWG, 0.5 m, with connector MINI-05 MM (Lamari component)

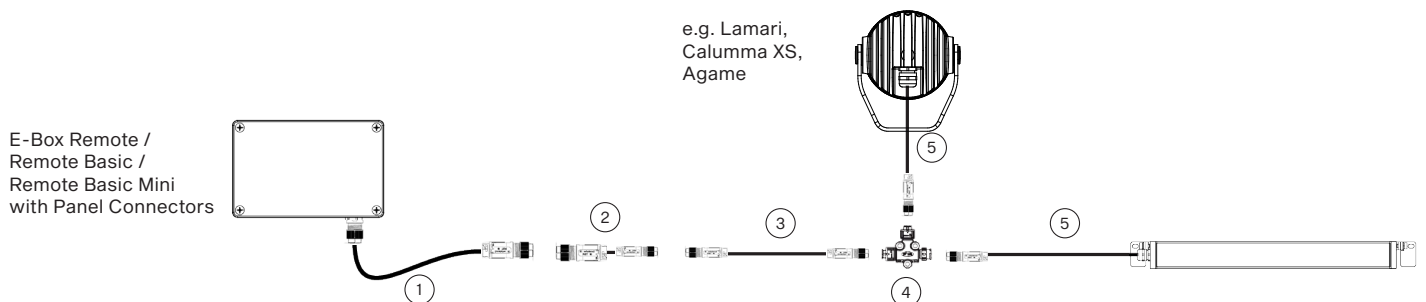
**Note: The last unmated connector must be fitted with an Waterproof Cap to protect the IP rating.**



**B E-BOX REMOTE / REMOTE BASIC / REMOTE BASIC MINI WITH PANEL CONNECTORS**

- 1) Jumper Cable CE/US MID-05 FF/MM (5x14 AWG), 0.5 m (13054131)
- 2) Adaptor MID2MINI (13054149)
- 3) Jumper Cable MINI-05 FF/MM (20 AWG), 0.5 m (13053937-02)
- 4) T-connector MINI-05 MFF (13053941-01)
- 5) Cable 5x20 AWG, 0.5 m, with connector MINI-05 MM (Lamari component)

**Note: The last unmated connector must be fitted with an Waterproof Cap to protect the IP rating.**

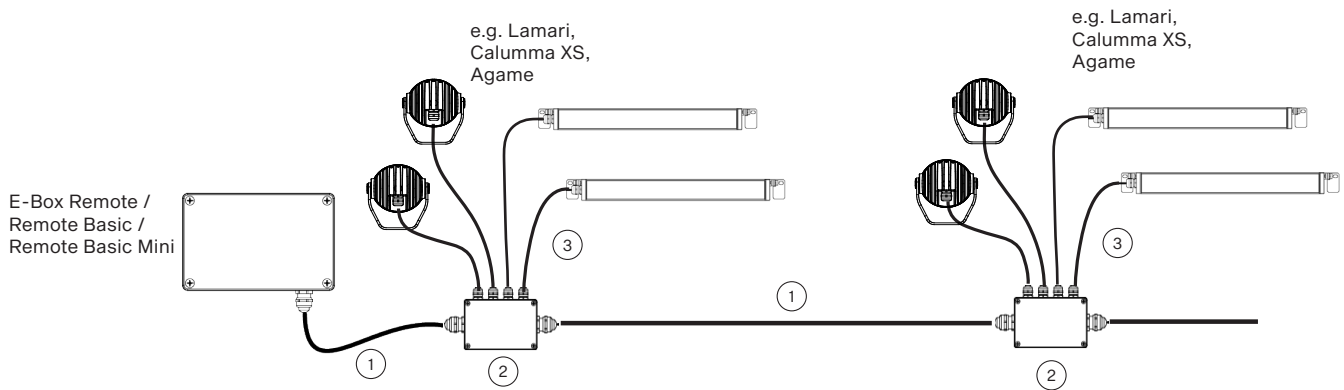


**CONTROL AND CONNECTION OPTIONS - CE**

**DMX - BARE-END**

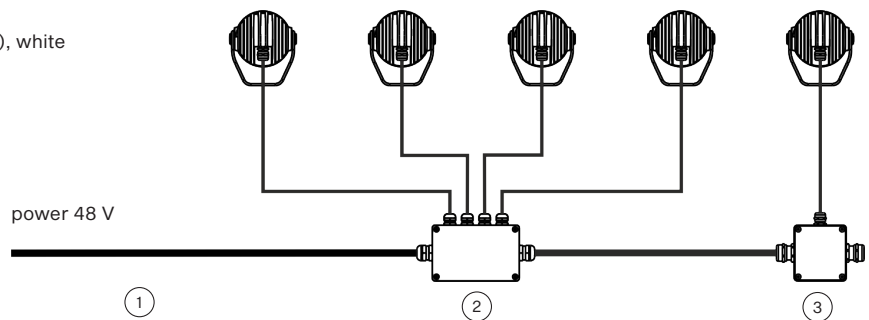
- 1) SJTW 5x14 AWG (13053336), standard with bare-end, black
- 2) Junction Box Remote (4x Output) - (10980716)
- 3) Cable UL 20969 (5x20 AWG), 1 m, (13053481), black

**Note: The last unmated connector must be fitted with an Waterproof Cap to protect the IP rating.**



**ON/OFF**

- 1) Cable UL 20969 5x20 AWG (13053481), black  
or on request Cable UL 20969 5x20 AWG (13053696), white
- 2) Junction Box Remote (4x Output)
- 3) Junction Box Remote (1x Output)



## CONNECTIVITY

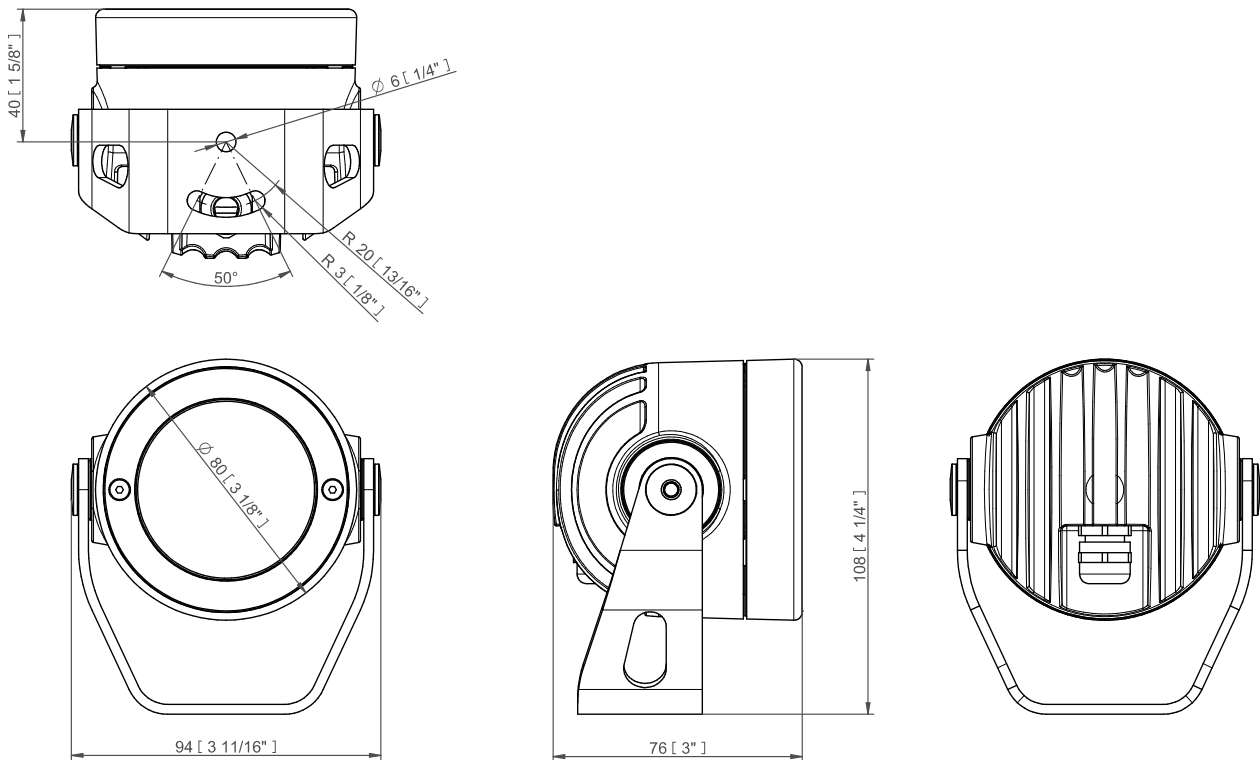
Following table shows maximum connected Calummas XS SC in a row with respect of cable length.

Cable length	Per E-Box Remote	Per 1 LED output
50 m (max per 1 output)	40 pcs	20 pcs
100 m (total length, 2x output)		20 pcs

## PROJECTED AREA

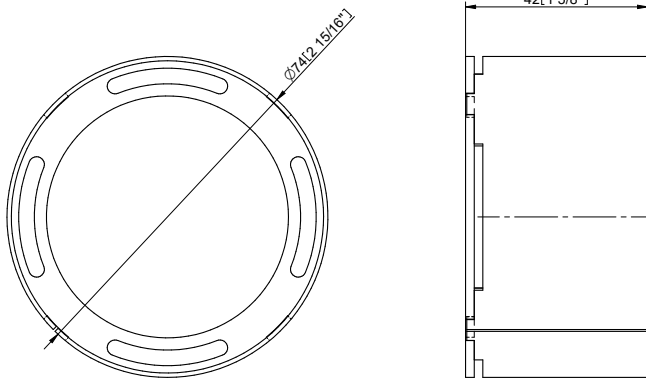
	Front (rear) - m <sup>2</sup>	Front (rear) ft <sup>2</sup>	Side - m <sup>2</sup>	Side - ft <sup>2</sup>	Top - m <sup>2</sup>	Top - ft <sup>2</sup>
Calumma XS	0,006	0,065	0,007	0,070	0,006	0,065
with Top Hat	0,006	0,065	0,014	0,151	0,014	0,151
with Half Top Hat	0,006	0,065	0,008	0,082	0,014	0,151

## DIMENSIONS

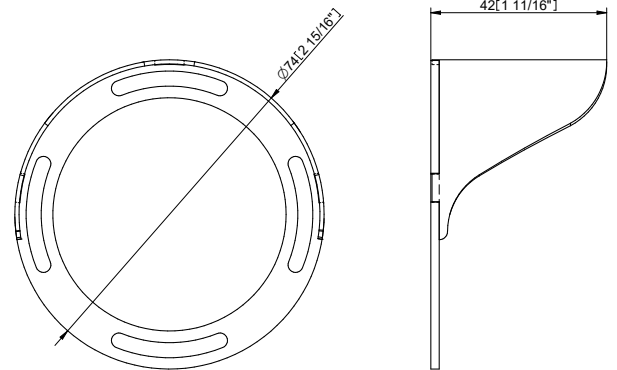


ACCESSORIES

Top Hat

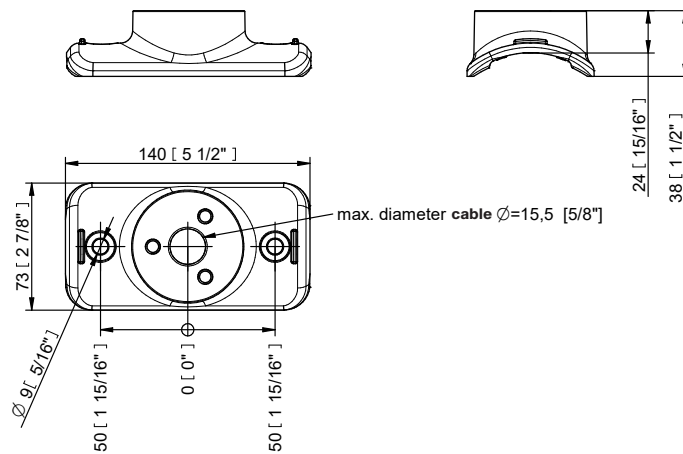


Half Top Hat

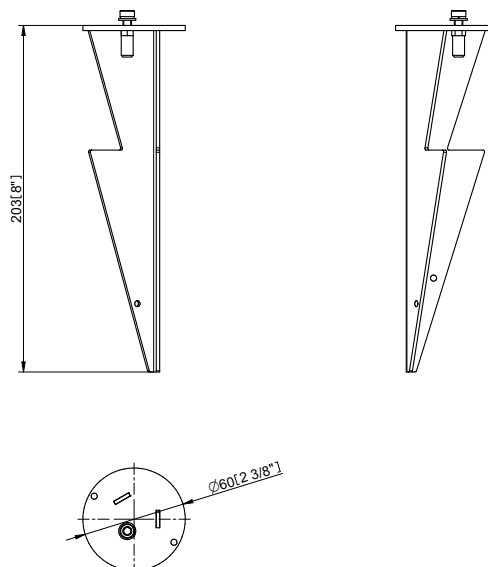


Pole Adaptor (ø 102mm, Yoke for pole Adaptor Required / PA)

Example of ordering code: Calumma XS SC RGBCW 15° PA



Land Spike for Calumma XS



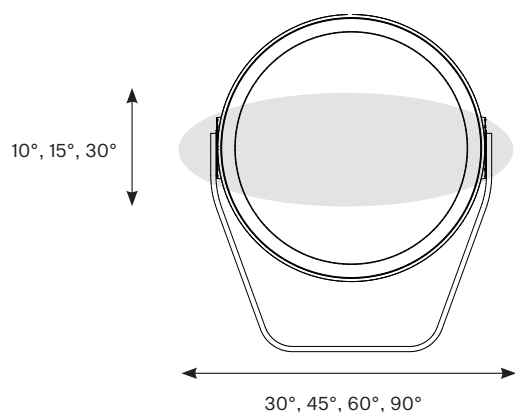
PHOTOMETRIC OVERVIEW

WW (W 3000 K)	
10°	457
15°	416
25°	406
30°	399
45°	407
65°	399
100°	404
10° x 30°, 30° x 10°	401
10° x 60°, 60° x 10°	400
15° x 45°, 45° x 15°	417
30° x 60°, 60° x 30°	397
30° x 90°, 90° x 30°	374
15° x 90°, 90° x 15°	392

BI-SYMMETRICAL BEAM ANGLES

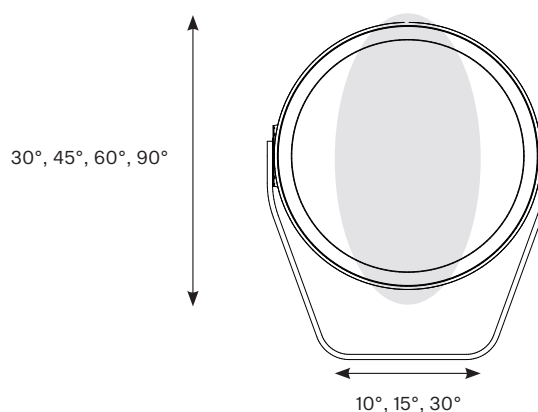
Bi-symmetrical:

10°x30°,  
10°x60°,  
15°x45°,  
15°x90°,  
30°x60°,  
30°x90°



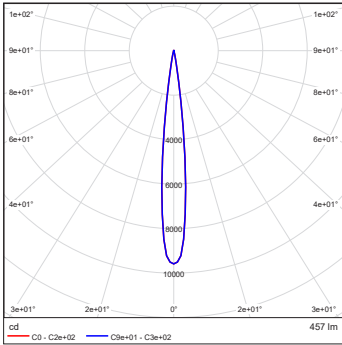
Bi-symmetrical:

30°x10°,  
60°x10°,  
45°x15°,  
90°x15°,  
60°x30°,  
90°x30°

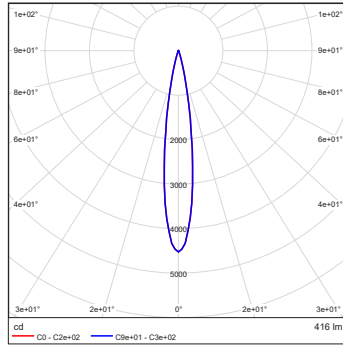


PHOTOMETRIC DATA

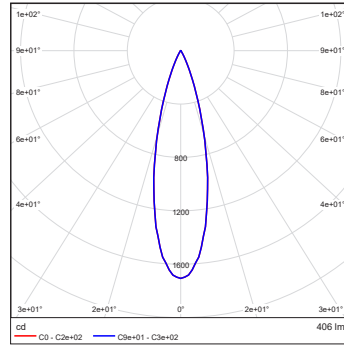
Calumma XS SC PW 3000K 10dg



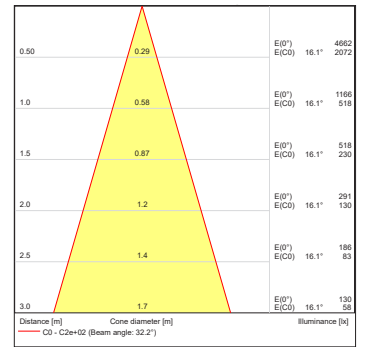
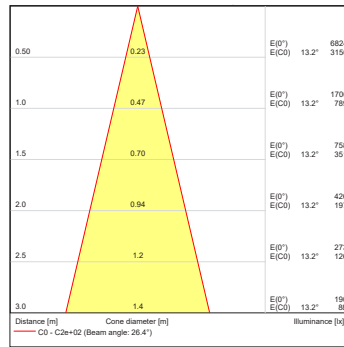
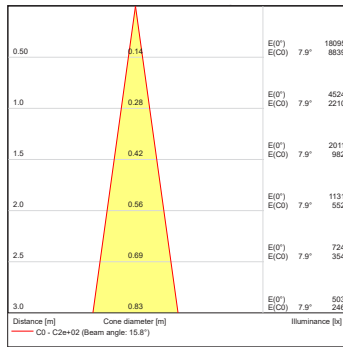
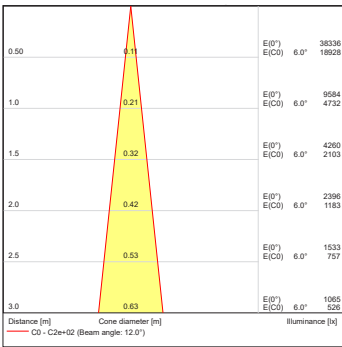
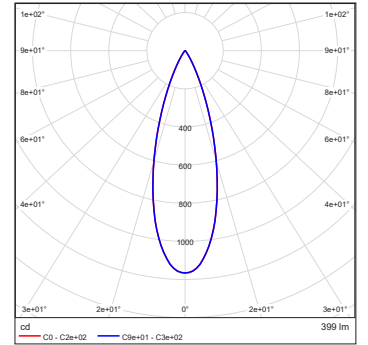
Calumma XS SC PW 3000K 15dg



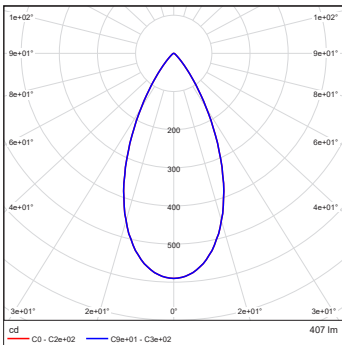
Calumma XS SC PW 3000K 25dg



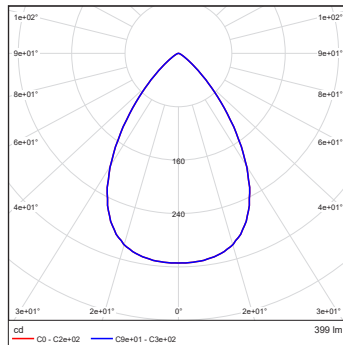
Calumma XS SC PW 3000K 30dg



Calumma XS SC PW 3000K 45dg



Calumma XS SC PW 3000K 65dg



Calumma XS SC PW 3000K 100dg

