

CALUMMA™ XS SC

Using a four high-power, single-chip LED inside a compact, elegant, and durable housing, the smallest Calumma is a great choice for many different lighting applications. Complementing both outdoor environments and interior designs, its wide range of beam angles, LED chip white variant options and accessories make the Calumma XS SC an ideal, extra small lighting solution for any architectural design.



KEY FEATURES

Lumen output & Light source

Luminaire with four high-power, single-chip LEDs provides up to 457 lumen output (@10°, PW 3000 K). No light spills.

Design & Durability

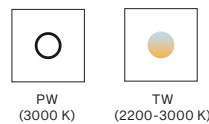
Lightweight, compact, durable and stylish housing made of high-pressure die cast aluminium. IP67 and IK10 certification; suitable for marine applications (Harsh Environment Finish required) and traffic applications. Supported with a 5 year warranty.

Flexibility

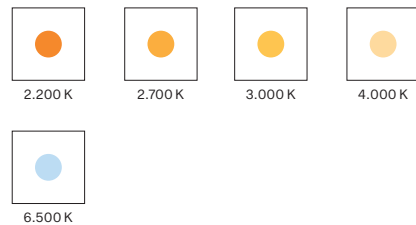
An exceptionally compact luminaire available with a wide range of accessories, custom colour finishes, and beam angle options, Calumma XS offers the lighting designer a flexible solution for the most demanding applications.

COLOURS

STANDARD

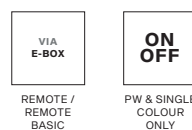


UPON REQUEST

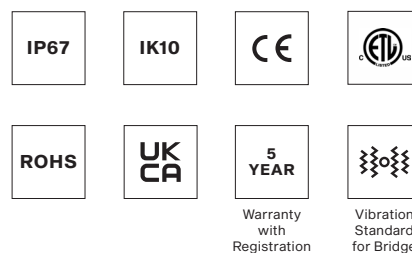


AVAILABLE COLOURS FOR CUSTOM SETUP

CONTROL & PROTOCOLS

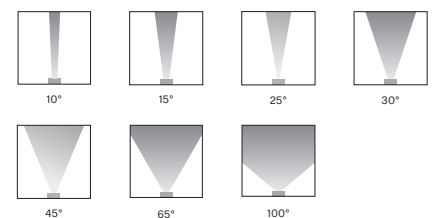


STANDARD & SPECIFICATION

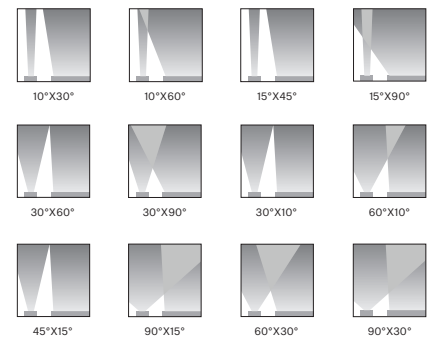


OPTIC OPTIONS

SYMMETRICAL

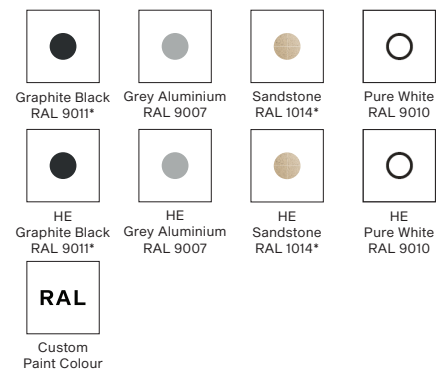


BI-SYMMETRICAL



FINISH OPTIONS

* CLOSEST RAL TONE
* HE = Harsh Environment



SPECIFICATION

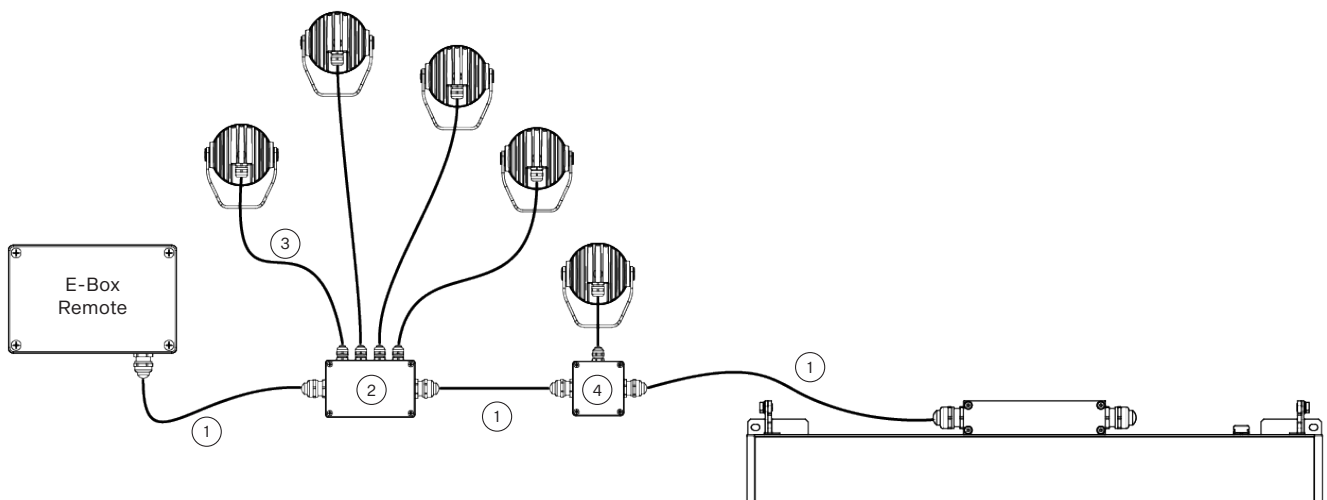
| | | | | |
|-------------------------------|---------------------------------------------------------|----------------------------------------------------------------------------------------------------------------------------------|-----------------------------------------------------------------------------------------------|--|
| ELECTRICAL | Input Voltage | 48 V | | |
| | Typical Power Consumption | 10 W | | |
| OPTICAL | Light Source | High Power Single Chip LEDs | | |
| | Colour Variants | Pure White (W - 3000 K) Tuneable White (2200–3000 K) Custom Setup On Request: 2200 K, 2700 K, 3000 K, 4000 K, 6500 K | | |
| | Beam Angle | 10° 15° 25° 30° 45° 65° 100° | | |
| | Beam Angle | 10°x30° 30°x10° 10°x60° 60°x10° 15°x45° 45°x15° 15°x90° 90°x15° 30°x60° 60°x30° 30°x90° 90°x30° | | |
| | Lumen Output Delivered | 457 lm (@ 10°, PW 3000 K) | | |
| | Projected Lumen Maintenance | L90B10 >90.000 hrs, Ta = 25°C / 77°F | | |
| CONTROL | Interface protocol | Via E-box Remote or E-box Remote Basic ON/OFF (PW & single colour only) | | |
| | E-Box Remote control protocol | USITT DMX512/RDM, ArtNet, MA Net, MA Net2, sACN, Kling-Net | | |
| | Setting / addressing | E-box Remote, RDM communicator | | |
| | Connectivity & Power Supply | E-Box Remote Remote Basic | | |
| PHYSICAL | Width x Height x Depth | 94 x 108 x 76 mm (3.7 x 4.2 x 2.99 in.) | | |
| | Weight | 0.6 kg 1.3 lbs | | |
| | Housing | High Pressure Die-Cast Aluminium Body Tempered Glass | | |
| | Finish Options | Standard Colour | Graphite Black RAL 9011 Grey Aluminium RAL 9007 Pure White RAL 9010 Sandstone RAL 1014 | |
| | | Standard Colour Harsh Environment | Graphite Black RAL 9011 Grey Aluminium RAL 9007 Pure White RAL 9010 Sandstone RAL 1014 | |
| | | Cost Option | Custom RAL | |
| | Cables / Connectivity | IN (for DMX, DALI): - 1 m cable with bare end - Other cable length - custom - Junction box - optional | IN (for E-Box Version): - Cable (5x20 AWG) 0.5 m, with Connector MM | |
| | Mounting Method | Yoke or Yoke for Pole Adaptor | | |
| | Adjustability | +180° / -180° | | |
| | Protection Factor | IP67 (IP66 Junction Box) / Suitable For Wet Locations | | |
| | IK Rating | IK10 | | |
| Cooling System | Convection | | | |
| Operating Ambient Temperature | -20°C / +50°C (-4°F / +122°F) | | | |
| CERTIFICATION | Listings | ETL / cETL, CE, RoHS, UKCA | | |
| ACCESSORIES | Not Included Items | Optical Demo Set for Calumma XS (for demo purposes) | | |
| | | Outdoor Foil Holder for Calumma XS (for permanent installation) | | |
| | | Optical Foil Set for Outdoor Foil Holder Calumma XS | | |
| | | Re-enterable Electrical Insulating Resin | | |
| | | Land Spike for Calumma XS | | |
| | | Top Hat Calumma XS | | |
| | | Half Top Hat Calumma XS | | |
| | | Twin Wall Cover Calumma XS | | |
| | Pole Adaptor (ø 102mm) (Yoke for Pole Adaptor Required) | | | |

| | | |
|--------------------|-------------------------------|--------------------------------------------------------------------------------|
| | | Junction Box Remote (1x Output) - (10980715) |
| | | Junction Box Remote (4x Output) - (10980716) |
| | DMX BARE-END | Cable SJTW 5x14 AWG (13053336), standard with bare-end, black - 1/3/5/10 m |
| | | Cable SJTW 5x14 AWG (13053697), with bare-end, white (on request) - 1/3/5/10 m |
| | | Cable UL 20969 (5x20 AWG), 1 m, (13053481), black |
| | | Cable UL 20969 (5x20 AWG), 1 m, (13053696), white (on request) |
| ACCESSORIES | Not Included Items | Leader Cable FF 0.1 m CE AD-05 |
| | | Jumper Cable MM/FFCE AD-05 0.5 m 1 m 3 m 5 m |
| | | T-connector MINI-05 MFF (13053941-01) |
| | | T-connector MID-05 MFF (13054130) |
| | | Waterproof Cap for M connector AD-05 |
| | DMX CONNECTOR SOLUTION | Waterproof Cap for F connector AD-05 |
| | | Cable SJTW 5x14 AWG (black or white) - main connection between Junction Boxes |
| | | Connection Box Remote 1x Out (14 AWG–20 AWG) |
| | | Connection Box Remote 2x Out (14 AWG–14 AWG & 20 AWG) |
| | | Field Installable Connector MID-05 MM (14–22 AWG) - (13054126) |
| | | Adaptor MINI2MID (13054150) |
| | | Adaptor MID2MINI (13054149) |

CONTROL AND CONNECTION OPTIONS - CE

DMX - BARE-END

- 1) SJTW 5x14 AWG (13053693), Standard 1 m with bare-end, black or on request Cable SJTW 5x14 AWG (13053697), with bare-end, white
- 2) Junction Box Remote (4x Output)
- 3) Cable UL 20969 5x20 AWG (13053481), black or on request Cable UL 20969 5x20 AWG (13053696), white
- 4) Junction Box Remote (1x Output)



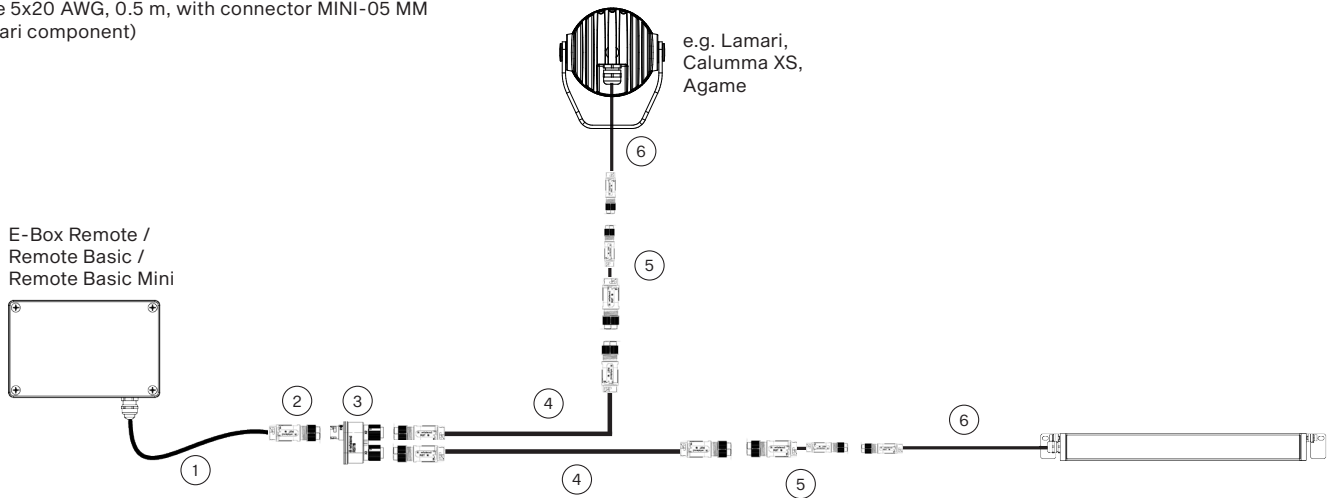
CONTROL AND CONNECTION OPTIONS - CE

DMX - CONNECTOR SOLUTION

A E-BOX REMOTE / REMOTE BASIC / REMOTE BASIC MINI

- 1) SJTW 5x14 AWG (13053336), standard with bare-end, black
- 2) Field Installable Connector MID-05 FF (14-22 AWG) - (13054127)
- 3) T-connector MID-05 MFF (13054130)
- 4) Jumper Cable CE/US MID-05 FF/MM (5x14 AWG), 0.5 m (13054131)
- 5) Adaptor MID2MINI (13054149)
- 6) Cable 5x20 AWG, 0.5 m, with connector MINI-05 MM (Lamari component)

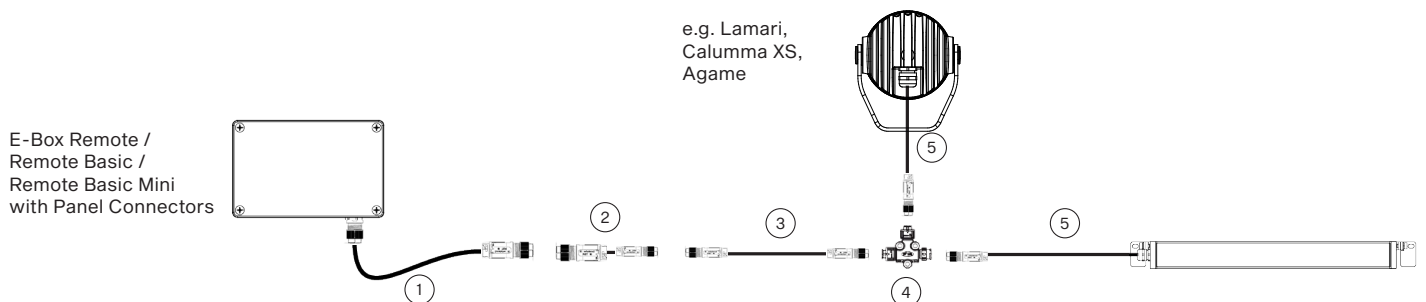
Note: The last unmated connector must be fitted with an Waterproof Cap to protect the IP rating.



B E-BOX REMOTE / REMOTE BASIC / REMOTE BASIC MINI WITH PANEL CONNECTORS

- 1) Jumper Cable CE/US MID-05 FF/MM (5x14 AWG), 0.5 m (13054131)
- 2) Adaptor MID2MINI (13054149)
- 3) Jumper Cable MINI-05 FF/MM (20 AWG), 0.5 m (13053937-02)
- 4) T-connector MINI-05 MFF (13053941-01)
- 5) Cable 5x20 AWG, 0.5 m, with connector MINI-05 MM (Lamari component)

Note: The last unmated connector must be fitted with an Waterproof Cap to protect the IP rating.

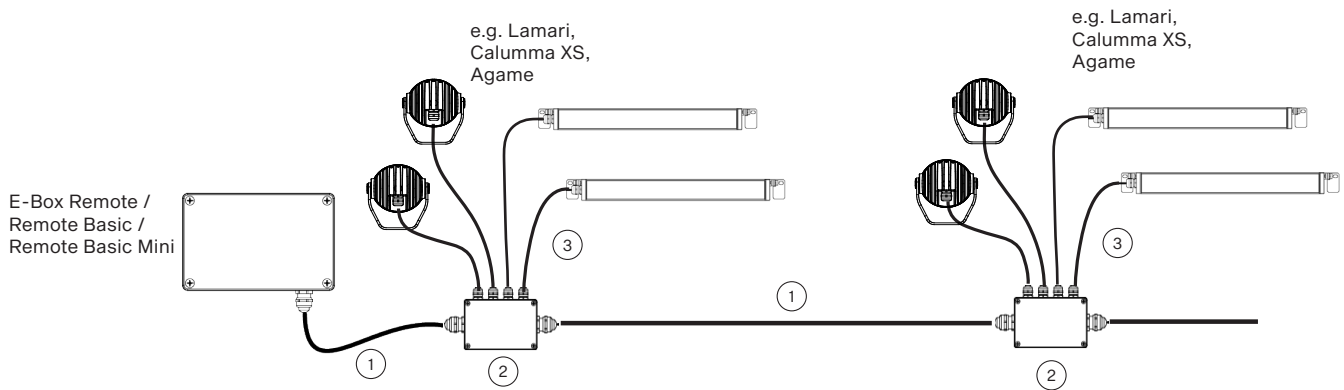


CONTROL AND CONNECTION OPTIONS - CE

DMX - BARE-END

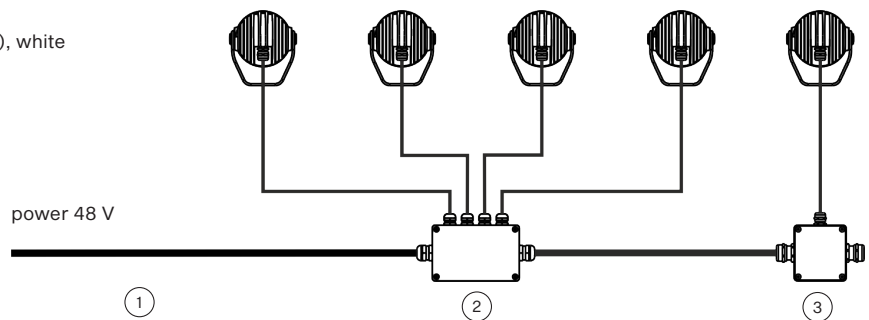
- 1) SJTW 5x14 AWG (13053336), standard with bare-end, black
- 2) Junction Box Remote (4x Output) - (10980716)
- 3) Cable UL 20969 (5x20 AWG), 1 m, (13053481), black

Note: The last unmated connector must be fitted with an Waterproof Cap to protect the IP rating.



ON/OFF

- 1) Cable UL 20969 5x20 AWG (13053481), black
or on request Cable UL 20969 5x20 AWG (13053696), white
- 2) Junction Box Remote (4x Output)
- 3) Junction Box Remote (1x Output)



CONNECTIVITY

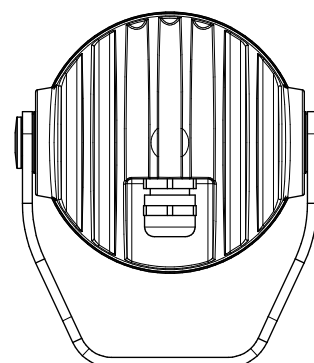
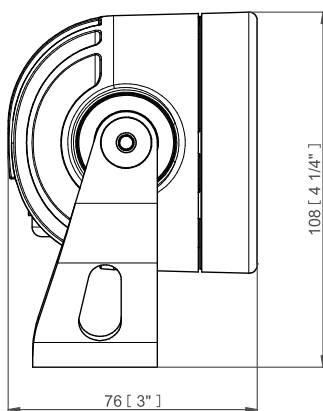
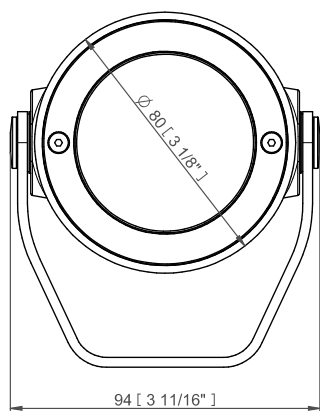
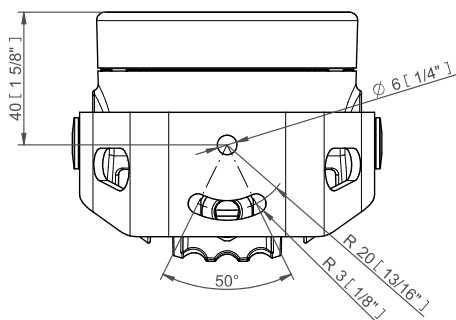
Following table shows maximum connected Calummas XS SC in a row with respect of cable length.

| Cable length | Per E-Box Remote | Per 1 LED output |
|---------------------------------|------------------|------------------|
| 50 m (max per 1 output) | 40 pcs | 20 pcs |
| 100 m (total length, 2x output) | | 20 pcs |

PROJECTED AREA

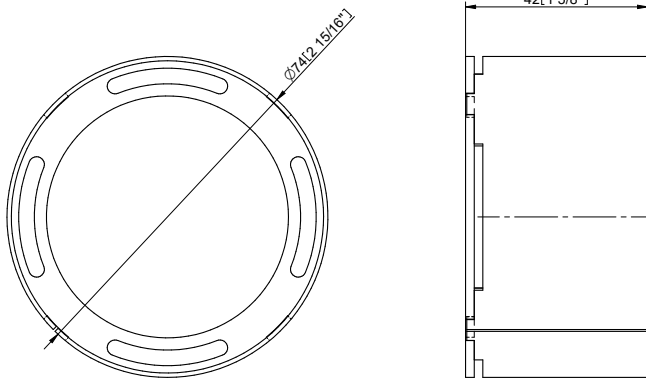
| | Front (rear) - m ² | Front (rear) ft ² | Side - m ² | Side - ft ² | Top - m ² | Top - ft ² |
|-------------------|-------------------------------|------------------------------|-----------------------|------------------------|----------------------|-----------------------|
| Calumma XS | 0,006 | 0,065 | 0,007 | 0,070 | 0,006 | 0,065 |
| with Top Hat | 0,006 | 0,065 | 0,014 | 0,151 | 0,014 | 0,151 |
| with Half Top Hat | 0,006 | 0,065 | 0,008 | 0,082 | 0,014 | 0,151 |

DIMENSIONS

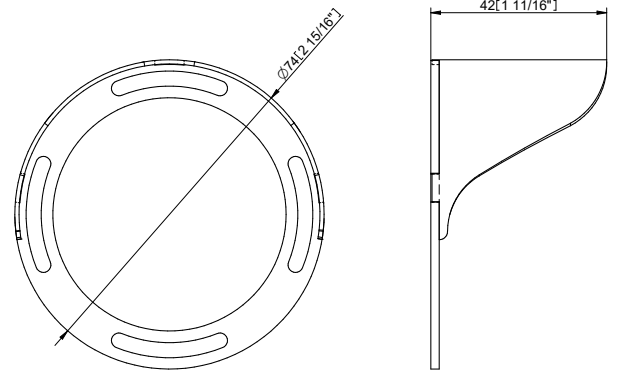


ACCESSORIES

Top Hat

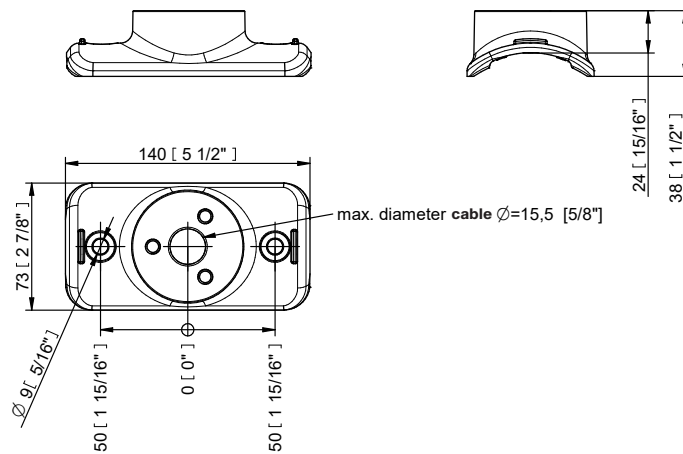


Half Top Hat

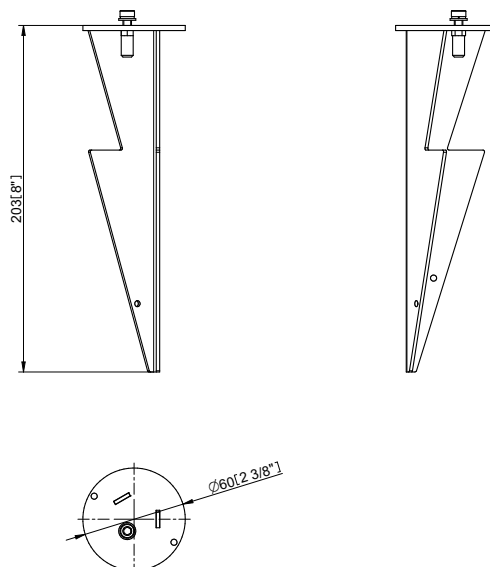


Pole Adaptor (ø 102mm, Yoke for pole Adaptor Required / PA)

Example of ordering code: Calumma XS SC RGBCW 15° PA



Land Spike for Calumma XS



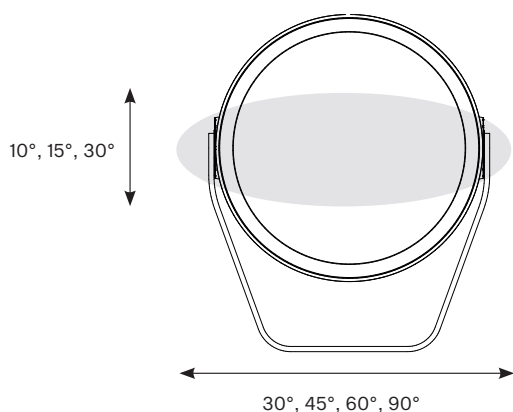
PHOTOMETRIC OVERVIEW

| WW (W 3000 K) | |
|----------------------|-----|
| 10° | 457 |
| 15° | 416 |
| 25° | 406 |
| 30° | 399 |
| 45° | 407 |
| 65° | 399 |
| 100° | 404 |
| 10° x 30°, 30° x 10° | 401 |
| 10° x 60°, 60° x 10° | 400 |
| 15° x 45°, 45° x 15° | 417 |
| 30° x 60°, 60° x 30° | 397 |
| 30° x 90°, 90° x 30° | 374 |
| 15° x 90°, 90° x 15° | 392 |

BI-SYMMETRICAL BEAM ANGLES

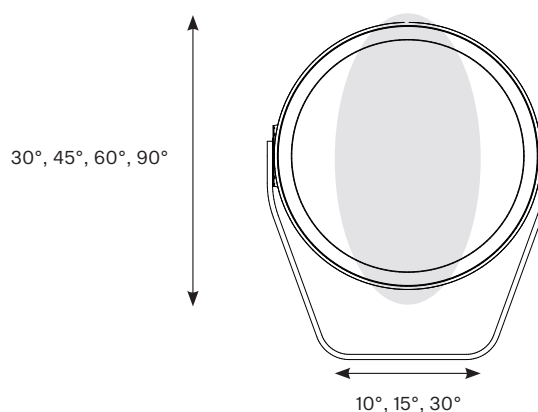
Bi-symmetrical:

10°x30°,
10°x60°,
15°x45°,
15°x90°,
30°x60°,
30°x90°



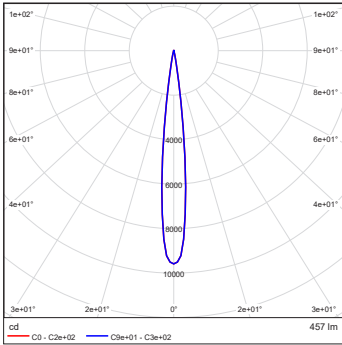
Bi-symmetrical:

30°x10°,
60°x10°,
45°x15°,
90°x15°,
60°x30°,
90°x30°

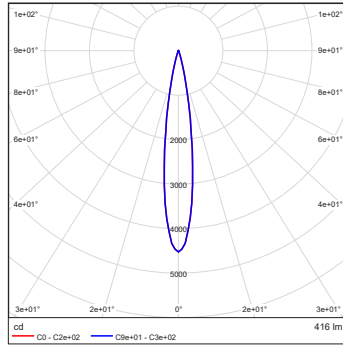


PHOTOMETRIC DATA

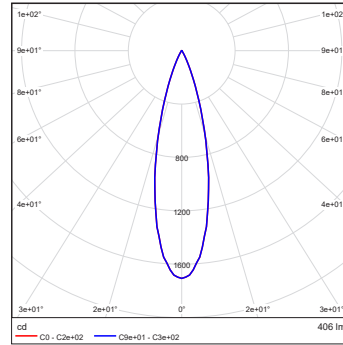
Calumma XS SC PW 3000K 10dg



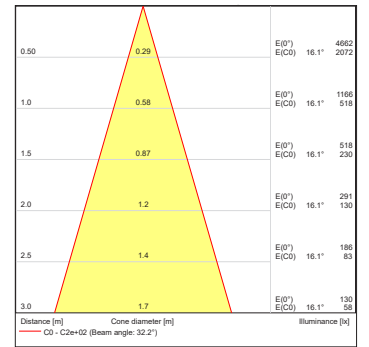
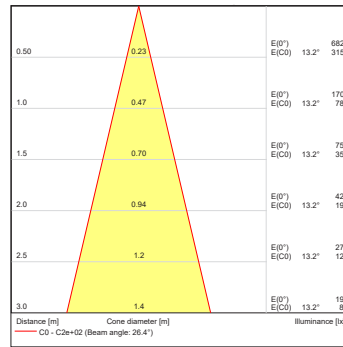
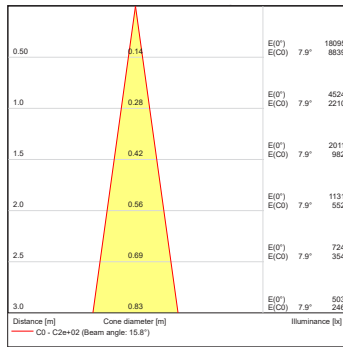
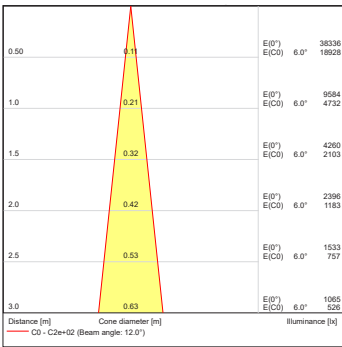
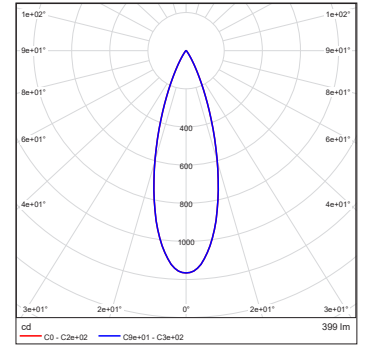
Calumma XS SC PW 3000K 15dg



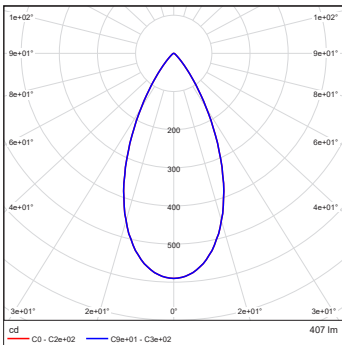
Calumma XS SC PW 3000K 25dg



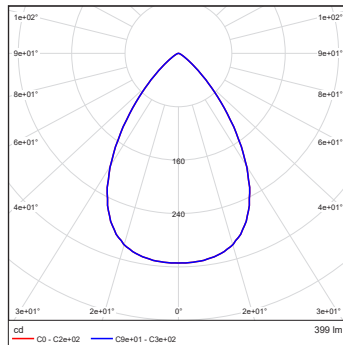
Calumma XS SC PW 3000K 30dg



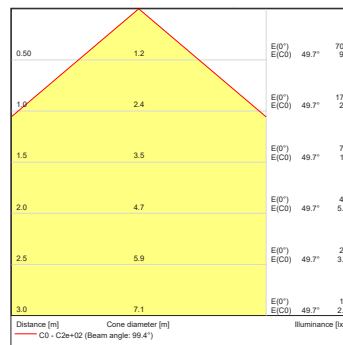
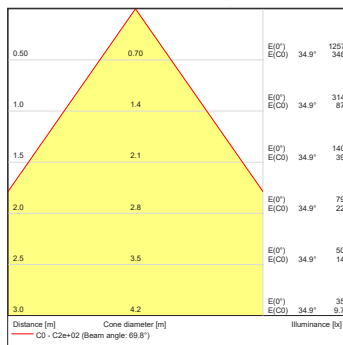
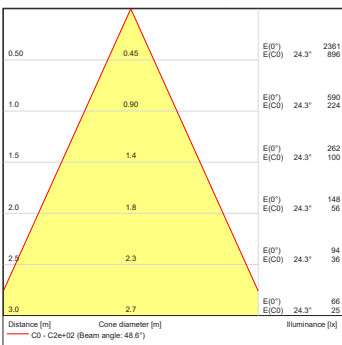
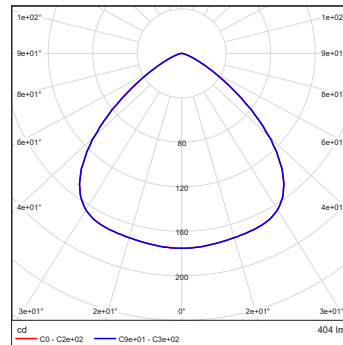
Calumma XS SC PW 3000K 45dg



Calumma XS SC PW 3000K 65dg

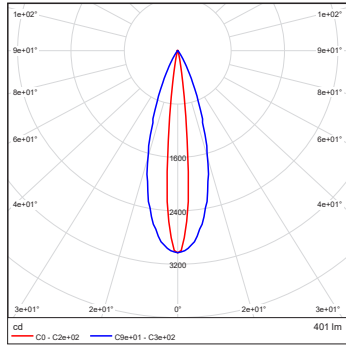


Calumma XS SC PW 3000K 100dg

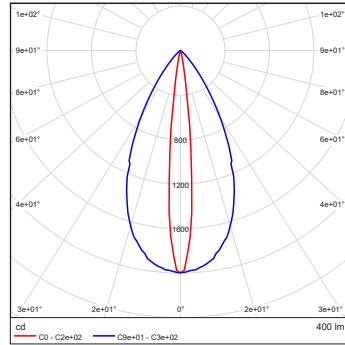


PHOTOMETRIC DATA

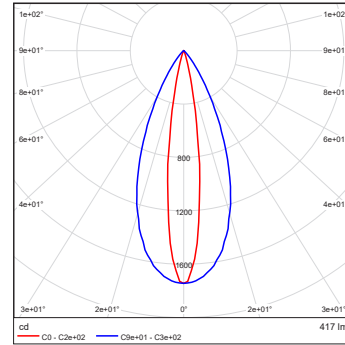
Calumma XS SC PW 3000K 10x30dg



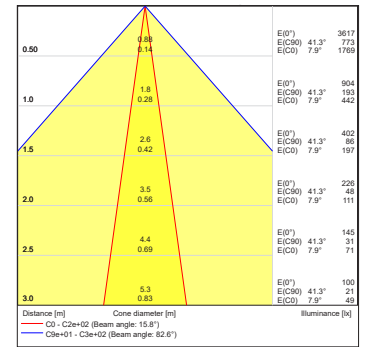
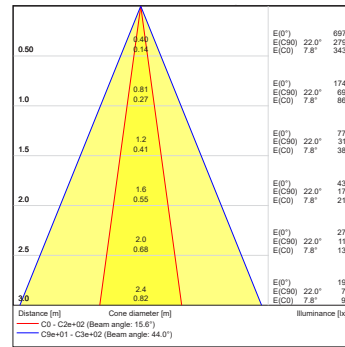
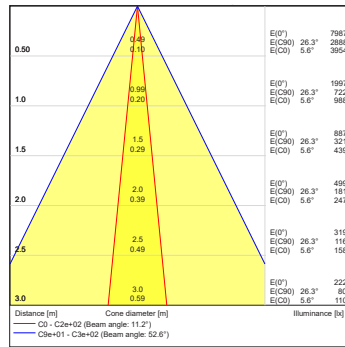
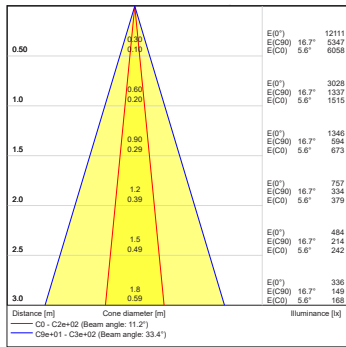
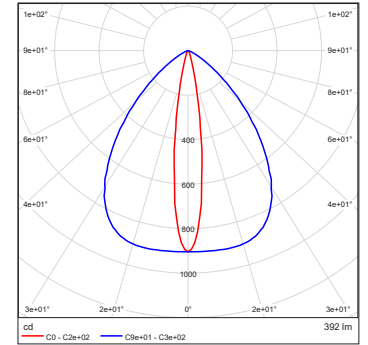
Calumma XS SC PW 3000K 10x60dg



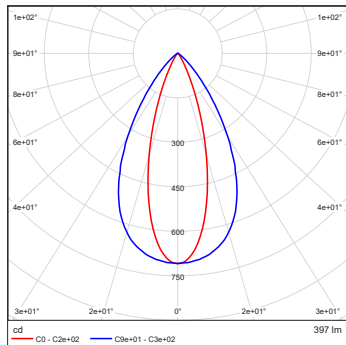
Calumma XS SC PW 3000K 15x45dg



Calumma XS SC PW 3000K 15x90dg



Calumma XS SC PW 3000K 30x60dg



Calumma XS SC PW 3000K 30x90dg

