

# CALUMMA™ UN XS SC

Built around one high-power single-chip LEDs and enclosed in a compact, refined, and durable housing, the smallest Calumma UN XS delivers precise performance in a minimal form factor. Equipped exclusively with 2.5°, 3.5°, 5° and 7° optics, it produces a tightly focused beam with excellent control, making it ideal for wall grazing and subtle architectural accents. Suitable for both exterior and interior applications, and available in various white LED variants and compatible accessories, Calumma UN XS SC is an ultra-compact lighting solution designed for precise architectural integration.



## KEY FEATURES

### Lumen output & Light source

Luminaire with 1 LED (5° / 7°, ø32 mm) and 1 LED (2.5° / 3.5°, ø45 mm) delivers up to 185 lumens output (@5°, PW 3000 K). No light spills.

### Design & Durability

Lightweight, compact, durable and stylish housing made of high-pressure die cast aluminium. IP67 and IK10 certification; suitable for marine applications (Harsh Environment Finish required) and traffic applications. Supported with a 5 year warranty.

### Flexibility

With its ultra-narrow 2.5°, 3.5°, 5° and 7° optics, Calumma UN XS delivers a precise extra-tight beam that is ideal for wall grazing and highlighting textures such as stone, brick, or relief surfaces. Its compact size allows discreet installation in façades, narrow reveals, or for accenting fine architectural details with precise, controlled light.

## COLOURS

### STANDARD



PW  
(3000 K)

### UPON REQUEST



3.000 K

AVAILABLE COLOURS  
FOR CUSTOM SETUP

## CONTROL & PROTOCOLS



REMOTE /  
REMOTE  
BASIC



PW & SINGLE  
COLOUR  
ONLY

## OPTIC OPTIONS



2.5°



3.5°



5°



7°

## FINISH OPTIONS

\* CLOSEST RAL TONE  
\* HE = Harsh Environment



Graphite Black  
RAL 9011\*



Grey Aluminium  
RAL 9007



Sandstone  
RAL 1014\*



Pure White  
RAL 9010



HE  
Graphite Black  
RAL 9011\*



HE  
Grey Aluminium  
RAL 9007



HE  
Sandstone  
RAL 1014\*



HE  
Pure White  
RAL 9010



Custom  
Paint Colour

## STANDARD & SPECIFICATION



Warranty  
with  
Registration

Vibration  
Standard  
for Bridge

**SPECIFICATION**

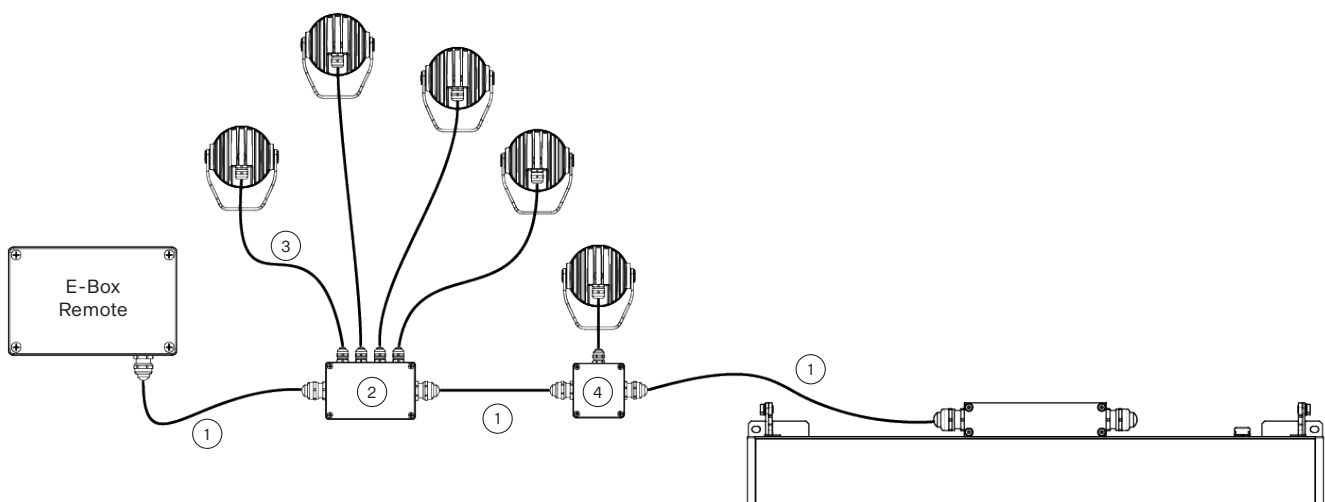
<b>ELECTRICAL</b>	Input Voltage	48 V		
	Typical Power Consumption	4 W +/-10 %		
<b>OPTICAL</b>	Light Source	1 High Power Single Chip LED (2.5°, 3.5°)	1 High Power Single Chip LED (5°, 7°)	
	Colour Variants	PW (W - 3000 K)		
	Beam Angle	2.5°   3.5°   5°   7°		
	Lumen Output Delivered	185 lm (@ 5°, PW 3000 K) <b>TBC</b>		
	Projected Lumen Maintenance	L90B10 >90.000 hrs, Ta = 25°C / 77°F		
	LED Diameter	LED (2.5°, 3.5°), ø 45 mm	LED (5°, 7°), ø 32 mm	
<b>CONTROL</b>	Interface protocol	Via E-Box Remote or E-box Remote Basic   ON/OFF (PW & single colour only)		
	E-Box Remote control protocol	USITT DMX512/RDM, ArtNet, MA Net, MA Net2, sACN, Kling-Net		
	Setting / addressing	E-Box Remote, RDM communicator		
	Connectivity & Power Supply	E-Box Remote   Remote Basic		
<b>PHYSICAL</b>	Width x Height x Depth	94 x 108 x 76 mm (3.7 x 4.2 x 2.99 in.)		
	Weight	0.6 kg   1.3 lbs		
	Housing	High Pressure Die-Cast Aluminium Body   Tempered Glass		
	Finish Options	Standard Colour	Graphite Black RAL 9011   Grey Aluminium RAL 9007 Pure White RAL 9010   Sandstone RAL 1014	
		Standard Colour Harsh Environment	Graphite Black RAL 9011   Grey Aluminium RAL 9007 Pure White RAL 9010   Sandstone RAL 1014	
		Cost Option	Custom RAL	
	Cables / Connectivity	<b>IN</b> - 1 m cable with bare end - Other cable length - custom - Junction box - optional	<b>IN</b> - Cable (5x20 AWG) 0.5 m, with Connector MM	
	Mounting Method	Yoke or Yoke for Pole Adaptor		
	Adjustability	+180° / -180°		
	Protection Factor	IP67 (IP66 Junction Box) / Suitable For Wet Locations		
	IK Rating	IK10		
Cooling System	Convection			
Operating Ambient Temperature	-20 °C / +50 °C (-4 °F / +122 °F)			
<b>CERTIFICATION</b>	Listings	ETL / cETL, CE, RoHS, UKCA		
<b>ACCESSORIES</b>	<b>Not Included Items</b>	Re-enterable Electrical Insulating Resin		
		Land Spike for Calumma XS		
		Top Hat Calumma XS		
		Half Top Hat Calumma XS		
		Twin Wall Cover Calumma XS		
		Pole Adaptor (ø 102mm) (Yoke for Pole Adaptor Required)		

		Junction Box Remote (1x Output)
		Junction Box Remote (4x Output)
	IN (1 m cable with bare end version)	Cable UL20969 5x20 AWG (black or white) - Calumma XS input cable
		Cable SJTW 5x14 AWG (black or white) - main connection between Junction Boxes
<b>ACCESSORIES</b>		Leader Cable FF 0.1 m CE AD-05
		Jumper Cable MM/FFCE AD-05 0.5 m   1 m   3 m   5 m
		T-connector FMF CE AB-AD-05
		Waterproof Cap for M connector AD-05
		Waterproof Cap for F connector AD-05
	IN (0.5 m cable 5x20 AWG with connector MM version)	Cable SJTW 5x14 AWG (black or white) - main connection between Junction Boxes
		Connection Box Remote 1x Out (14 AWG–20 AWG)
		Connection Box Remote 2x Out (14 AWG–14 AWG & 20 AWG)
		Field Installable Connector FF DC-05 (for 5x14 AWG)
		Field Installable Connector FM DC-05 (for 5x14 AWG)

## CONTROL AND CONNECTION OPTIONS

### IN ( 1 m cable with bare-end )

- 1) SJTW 5x14 AWG (13053693), Standard 1 m with bare-end, black or on request Cable SJTW 5x14 AWG (13053697), with bare-end, white
- 2) Junction Box Remote (4xOutput)
- 3) Cable UL 20969 5x20 AWG (13053481), black or on request Cable UL 20969 5x20 AWG (13053696), white
- 4) Junction Box Remote (1x Output)

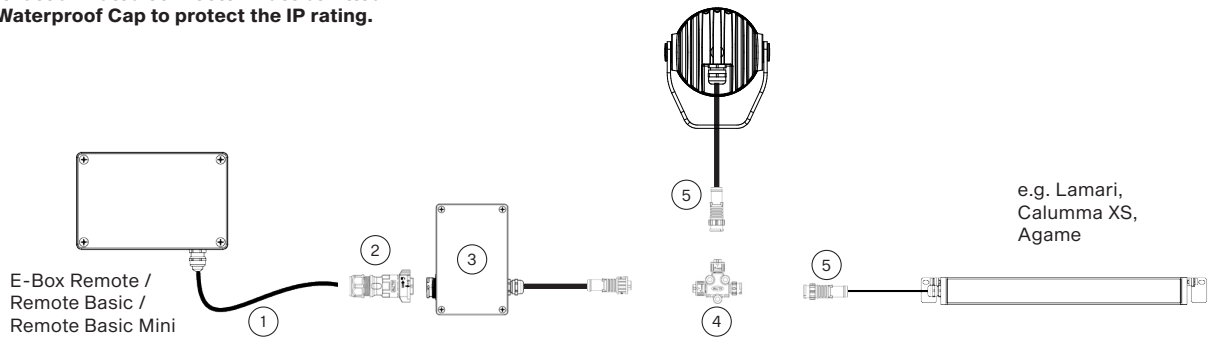


**CONTROL AND CONNECTION OPTIONS**

**IN (0.5 m Cable 5x20 AWG with connector MM)**

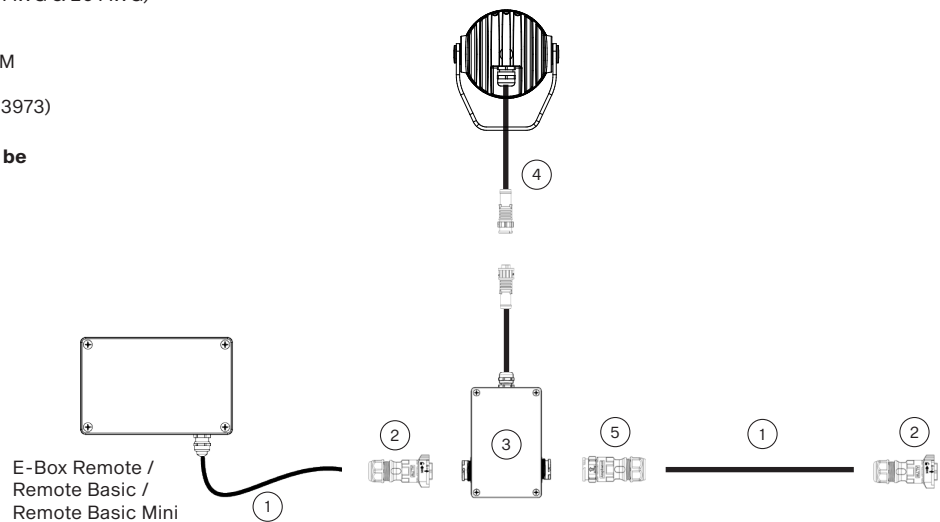
- 1) SJTW 5x14 AWG (13053693), Standard 1 m with bare-end, black or on request Cable SJTW 5x14 AWG (13053697), white
- 2) Field Installable Connector FF DC-05 (13053971)
- 3) Connection Box Remote 1x Out (14 AWG–20 AWG) Cable (5x20 AWG) 0.1 m, with Connector FF
- 4) T-connector FMF, (13053935)
- 5) Cable (5x20 AWG) 0.5 m, with Connector MM

**Note: The last unmated connector must be fitted with an Waterproof Cap to protect the IP rating.**



- 1) SJTW 5x14 AWG (13053693), Standard 1 m with bare-end, black or on request Cable SJTW 5x14 AWG (13053697), white
- 2) Field Installable Connector FF DC-05 (13053971)
- 3) Connection Box Remote 2x Out (14 AWG–14 AWG & 20 AWG) Cable (5x20 AWG) 0.1 m, with Connector FF
- 4) Cable (5x20 AWG) 0.5 m, with Connector MM
- 5) Field Installable Connector FM DC-05 (13053973)

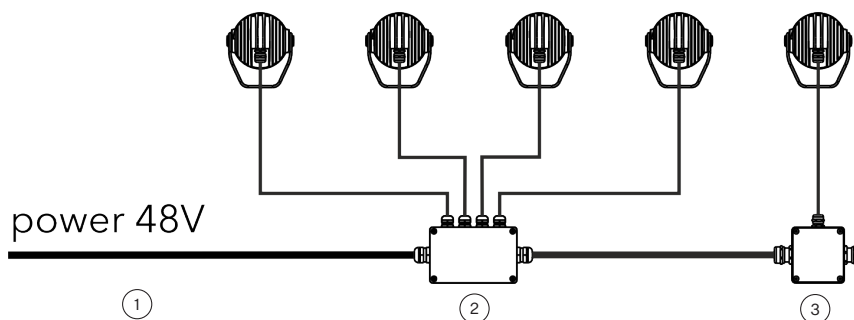
**Note: The last unmated connector must be fitted with an Waterproof Cap to protect the IP rating.**



## CONTROL AND CONNECTION OPTIONS

### ON/OFF

- 1) Cable UL 20969 5x20 AWG (13053481), black  
or on request Cable UL 20969 5x20 AWG (13053696), white
- 2) Junction Box Remote (4x Output)
- 3) Junction Box Remote (1x Output)



## CONNECTIVITY

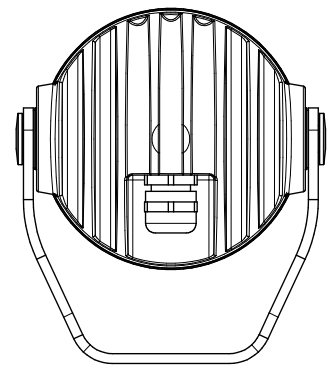
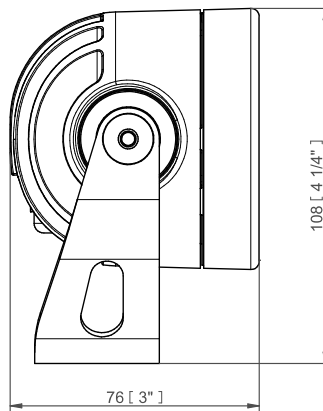
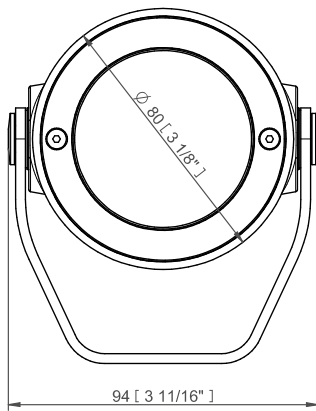
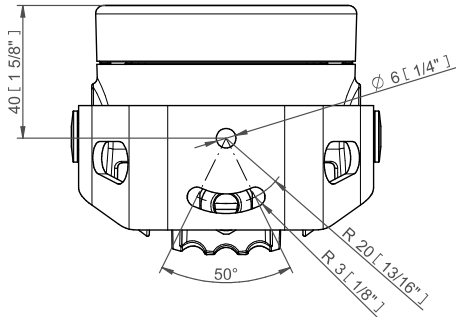
Following table shows maximum connected Calummas XS SC in a row with respect of cable length.

Cable length	Per E-Box Remote	Per 1 LED output
<b>50 m (max per 1 output)</b>	40 pcs	20 pcs
<b>100 m (total length, 2x output)</b>		20 pcs

## PROJECTED AREA

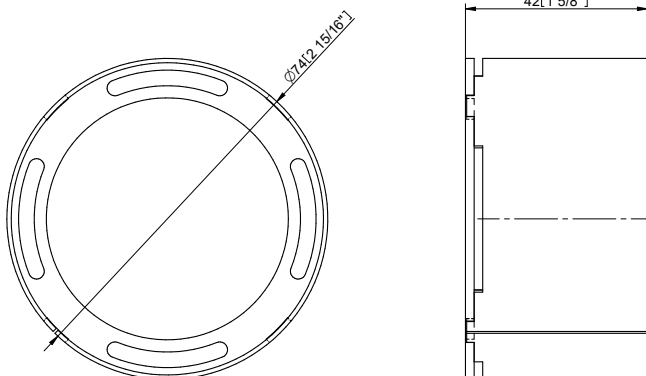
	Front (rear) - m <sup>2</sup>	Front (rear) ft <sup>2</sup>	Side - m <sup>2</sup>	Side - ft <sup>2</sup>	Top - m <sup>2</sup>	Top - ft <sup>2</sup>
<b>Calumma XS</b>	0,006	0,065	0,007	0,070	0,006	0,065
<b>with Top Hat</b>	0,006	0,065	0,014	0,151	0,014	0,151
<b>with Half Top Hat</b>	0,006	0,065	0,008	0,082	0,014	0,151

**DIMENSIONS**

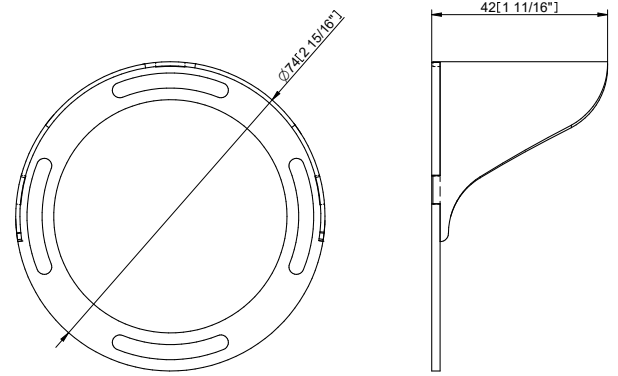


**ACCESSORIES**

Top Hat

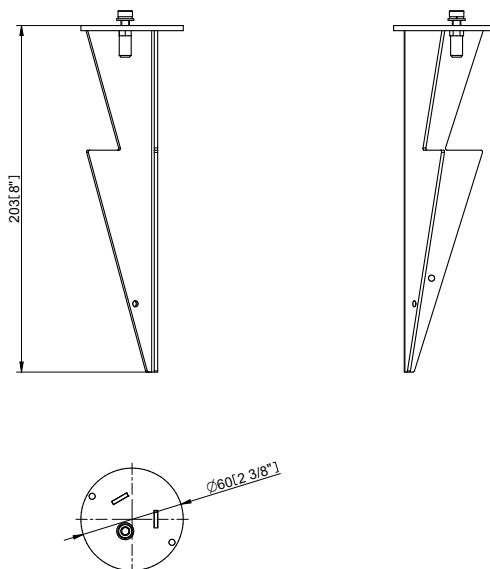


Half Top Hat



**ACCESSORIES**

Land Spike for Calumma XS



Pole Adaptor (ø 102mm, Yoke for pole Adaptor Required / PA)

**Example of ordering code:** Calumma XS SC RGBCW 15° PA

