

5° VERSION

CALUMMA™ UN XL SC

A high-performance architectural luminaire designed for precise illumination of tall vertical elements and prominent building features. Its advanced optical system with 43 LEDs in the 5° and 7° versions and 27 LEDs in the 2.5° and 3.5° versions delivers intense, tightly controlled light output. Available with ultra-narrow beam angles, it provides exceptional precision with minimal light spill, making it ideal for accentuating slender architectural details. The robust housing is built to perform reliably in demanding outdoor conditions and features a dedicated finish suitable for harsh and marine environments. In/Out daisy-chain connection via E-Box and hybrid Plug & Play connectors simplifies installation, while compatible accessories and control protocols ensure flexibility for sophisticated architectural lighting projects.



KEY FEATURES

Lumen output & Light source

Luminaire with 43 LEDs (5° / 7°, ø32 mm) and 27 LEDs (2.5° / 3.5°, ø45 mm) delivers up to 6716 lumen output. Precise optical control with ultra-narrow beam angles ensures virtually no light spill and outstanding accuracy.

Design & Durability

Compact, durable and stylish housing made of high-pressure die cast aluminium. IP67 and IK10 certification; suitable for marine applications (Harsh Environment Finish required) and traffic applications. Supported with a 5 year warranty.

Flexibility

Equipped with precision 2.5°, 3.5°, 5° and 7° optics, Calumma UN XL delivers a highly concentrated beam for long-distance accent lighting. Its powerful output is ideal for illuminating church spires and other landmark architectural features with precise control.

Connectivity

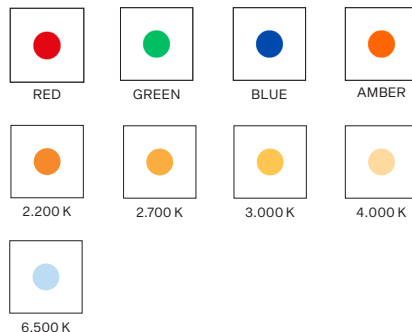
Utilising the innovative E-Box series of power and data interfaces, Calumma UN XL can communicate via numerous wired, wireless, and Ethernet based control protocols. Various wiring topologies are supported using hybrid power / data cables with Plug & Play connectors or standard connection options.

COLOURS

STANDARD

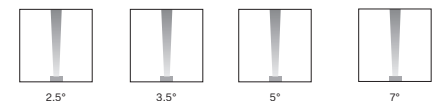


UPON REQUEST



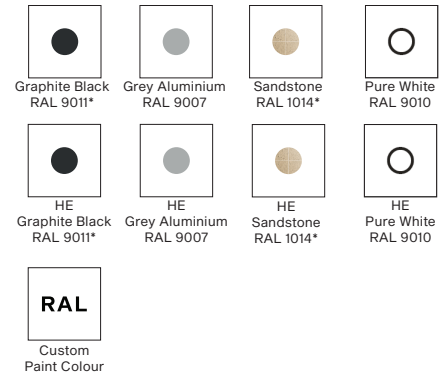
AVAILABLE COLOURS FOR CUSTOM SETUP

OPTIC OPTIONS

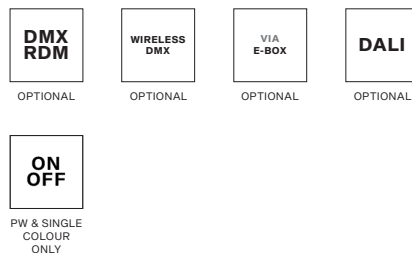


FINISH OPTIONS

* CLOSEST RAL TONE
* HE = Harsh Environment



CONTROL & PROTOCOLS



STANDARD & SPECIFICATION



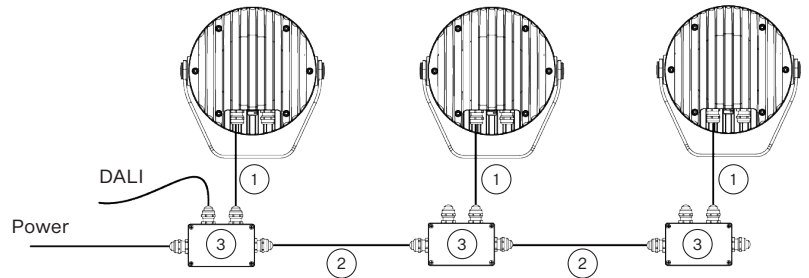
SPECIFICATION

ELECTRICAL	Input Voltage	120–277 V AC 50/60 Hz (US)		
	Typical Power Consumption	110 W +/-10 % (@ 2.5°, 3.5°) 135 W +/-10 % (@ 5°, 7°)		
OPTICAL	Light Source	27 High Power Single Chip LEDs (2.5°, 3.5°)	43 High Power Single Chip LEDs (5°, 7°)	
	Colour Variants	RGBW (W - 6500 K) RGBA Pure White (W - 3000 K) Tuneable White (2200–3000 K) Custom Setup On Request: Red, Green, Blue, Amber, 2200 K, 2700 K, 3000 K, 4000 K, 6500 K		
	Beam Angle	2.5° 3.5° 5° 7°		
	Lumen Output Delivered	6716 lm (@ 5° PW 3000 K) TBC		
	Projected Lumen Maintenance	L90B10 >90.000 hrs, Ta = 25°C / 77°F		
CONTROL	LED Diameter	LED (2.5°, 3.5°), ø 45 mm	LED (5°, 7°), ø 32 mm	
	Interface Protocol	Via E-Box range, DMX/RDM, wireless DMX, DALI 2 or ON/OFF (PW & single colour only)		
	E-box control protocol	USITT DMX512+RDM, ArtNet, MA Net, MA Net2, sACN, Kling-Net		
	DALI 2 Device Type	DT 8		
	Wireless DMX (Option)	Lumen Radio CRMX Technology		
	Control System	Third Party DMX Controllers or third party DALI 2 controllers, Ethernet		
	Operating Modes	DMX, Stand-alone		
	Settings / Addressing	E-Box, RDM communicator		
	Power Supply	Integrated		
	PHYSICAL	Width x Height x Depth Weight	385 x 404 x 120 mm (15.16 x 15.91 x 4.72 in.) 13.4 kg (29.5 lbs)	
Housing		High Pressure Die-Cast Aluminium Body		
		Tempered Glass		
Finish Options		Standard Colour	Graphite Black RAL 9011 Grey Aluminium RAL 9007 Pure White RAL 9010 Sandstone RAL 1014	
		Standard Colour Harsh Environment	Graphite Black RAL 9011 Grey Aluminium RAL 9007 Pure White RAL 9010 Sandstone RAL 1014	
		Cost Option	Custom RAL	
Cables / Connections		IN/OUT (for E- Box version): - 0.5 m cables with hybrid connectors - Jumper cables	IN (for DMX, DALI, ON /OFF): - 1 m cable with bare end - Other cable length - custom - Junction box - optional	
Mounting Method		Yoke or Yoke for Pole Adaptor		
Adjustability		+180° / -180°		
Protection Factor		IP67 / Suitable For Wet Locations		
IK Rating	IK10			
Cooling System	Convection			
Operating Ambient Temperature	-20 °C / +50 °C (-4 °F / +122 °F)			
CERTIFICATION	Listings	ETL / cETL, CE, RoHS, UKCA		
ACCESSORIES	Not Included Items			
	Junction Box for Calumma S–XL / Eminere (CE or US)			
	Re-enterable Electrical Insulating Resin			
	Land Spike for Calumma XL			
	Top Hat Calumma XL			
	Half Top Hat Calumma XL			
	Floor stand for Calumma L, XL			
Pole Adaptor (ø 102mm) (Yoke for Pole Adaptor Required)				

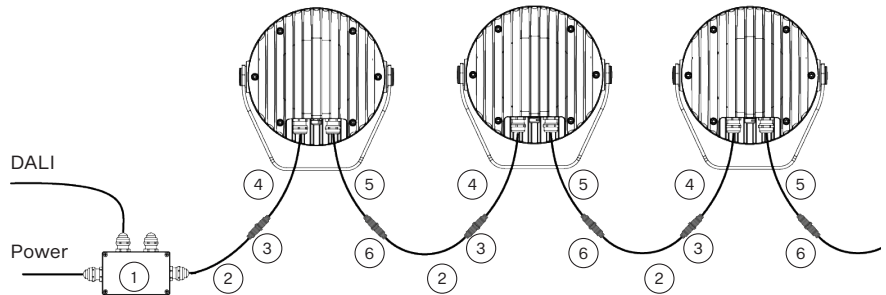
CONTROL AND CONNECTION OPTIONS - CE

DALI

- 1) Hybrid Cable (13053693) Standard 1 m with bare-end, black or on request Hybrid cable (13053697), 1 m with bare-end, white
- 2) Hybrid Cable (13053693) Standard 1 m with bare-end, black or on request Hybrid cable (13053697), 1 m with bare-end, white or Scope of Others
- 3) Junction Box



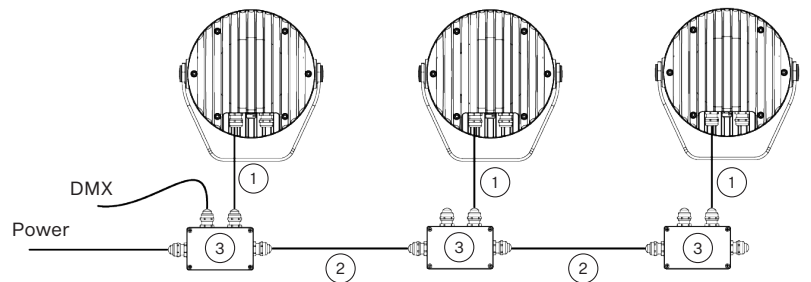
- 1) Junction Box
- 2) Hybrid Cable (13053693) Standard 1 m with bare-end, black or on request Hybrid cable (13053697), 1 m with bare-end, white
- 3) Field Installable Connector FF DC-05 (13053971)
- 4) Hybrid Cable (13053693), black, standard 0.5 m with Field Installable Connector MM DC-05 (13053972), black
or on request Hybrid cable (13053697), white, 0.5 m with Field Installable Connector MM DC-05 (13053972), black
- 5) Hybrid Cable (13053693), black, standard 0.5 m with Field Installable Connector FF DC-05 (13053971), black
or on request Hybrid cable (13053697), white, 0.5 m with Field Installable Connector FF DC-05 (13053971), black
- 6) Field Installable Connector MM DC-05 (13053972)



Note: The last unplugged connector must be fitted with a Waterproof Cap to protect the IP rating.

DMX

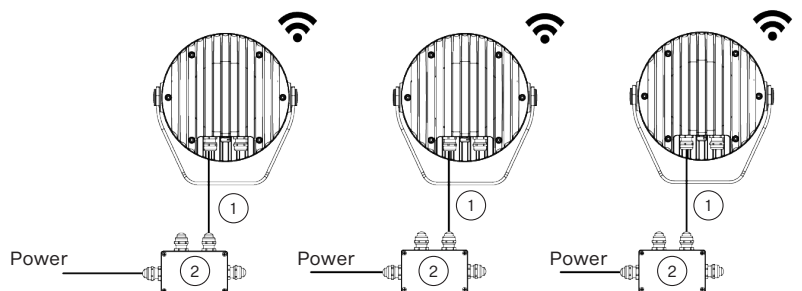
- 1) Flamar 3x16 AWG + 1x(2x24 AWG) - (13051508), Standard 1 m with bare-end, black or HYB-5731ZH LSZH (13053694), Hybrid Cable, white
- 2) Flamar 3x16 AWG + 1x(2x24 AWG) - (13051508), black or HYB-5731ZH LSZH (13053694), Hybrid Cable, white or Scope of Others
- 3) Junction Box



WIRELESS DMX

- 1) Flamar 3x16 AWG + 1x(2x24 AWG) - (13051508), Standard 1 m bare-end, black or Hybrid Cable HYB-5731ZH LSZH (13053694), white
- 2) Junction Box

Note: This type of connection is available for M, L, XL versions.

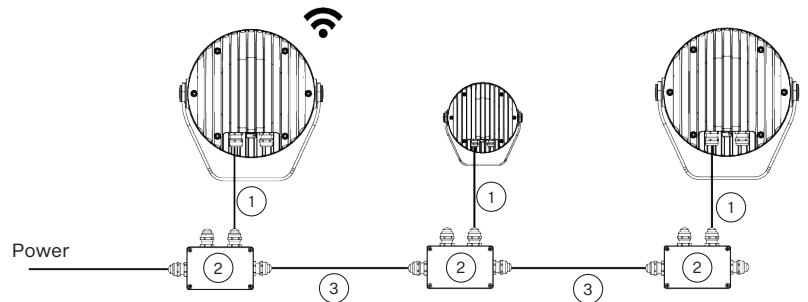


CONTROL AND CONNECTION OPTIONS - CE

WIRELESS DMX

- 1) Flamar 3x16 AWG + 1x(2x24 AWG) - (13051508), Standard 1 m bare-end, black or Hybrid Cable HYB-5731ZH LSZH (13053694), white
- 2) Junction Box
- 3) Flamar 3x16 AWG + 1x(2x24 AWG) - (13051508) or HYB-5731ZH LSZH (13053694), Hybrid Cable, white or Scope of Others

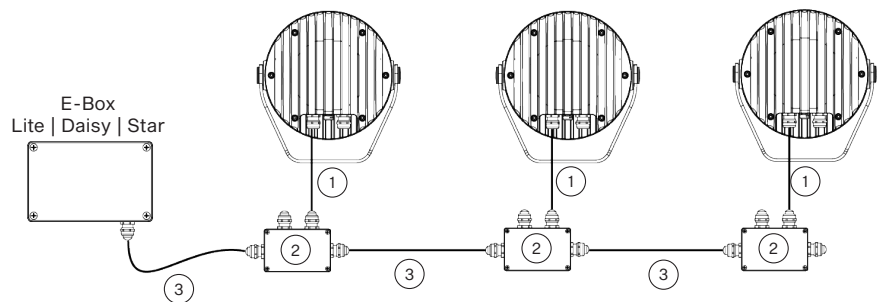
Note: This type of connection must have M, L or XL versions as the first luminaire. Next luminaires in a row could be chosen from S, M, L or XL versions.



DMX or ETHERNET via E-BOX

- 1) Flamar 3x16 AWG + 1x(2x24 AWG) - (13051508), Standard 1 m with bare-end, black or HYB-5731ZH LSZH (13053694), Hybrid cable, white
- 2) Junction Box
- 3) Flamar 3x16 AWG + 1x(2x24 AWG) - (13051508), black or HYB-5731ZH LSZH (13053694), Hybrid cable, white or Scope of Others

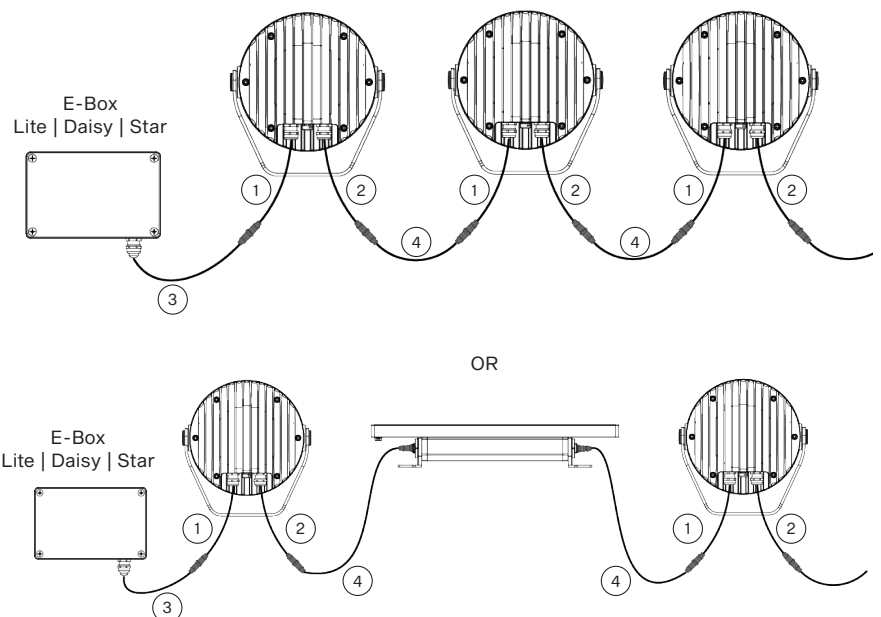
Note: This type of connection is available for S, M, L, and XL versions. E-Box has to be in Pass Through mode only.



- 1) Leader Cable MM (13053493) Standard 0.5 m with hybrid connector
- 2) Leader Cable MF (13053494) Standard 0.5 m with hybrid connector
- 3) Leader Cable FF 2 m (13053438)
Leader Cable FF 5 m (13053440)
Leader Cable FF 10 m (13053436)
Leader Cable FF 25 m (13053437)
Leader Cable FF 50 m (13053439)

- 4) Jumper Cable FF/FM 0.25 m (13053422)
Jumper Cable FF/FM 0.5 m (13053423)
Jumper Cable FF/FM 1 m (13053425)
Jumper Cable FF/FM 2 m (13053427)
Jumper Cable FF/FM 3 m (13053428)
Jumper Cable FF/FM 5 m (13053430)
Jumper Cable FF/FM 10 m (13053424)

Note: With this type of connection is possible to connect Calumma (M, L, XL) and Eminere (Eminere, Eminere Side) luminaires in a row.

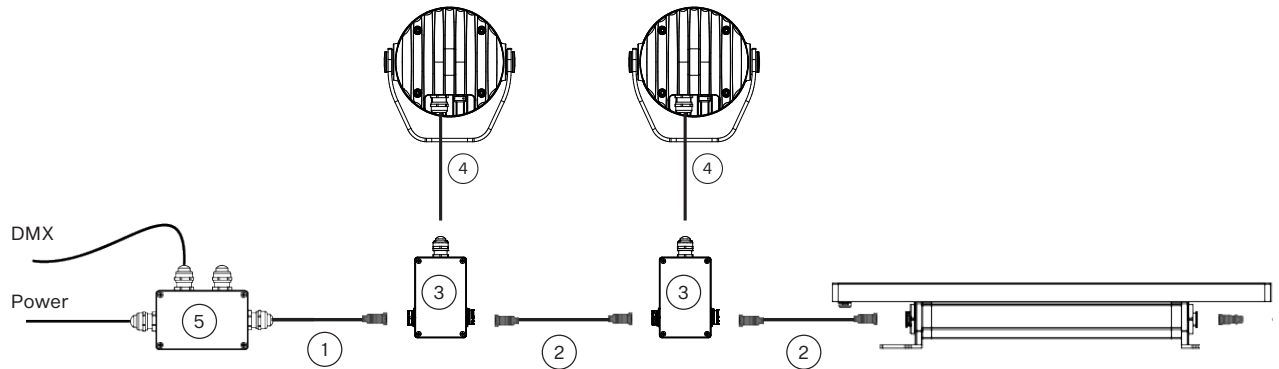


CONTROL AND CONNECTION OPTIONS - CE

DMX WITH JUNCTION BOX FOR CALUMMA XL / EMINERE (CE)

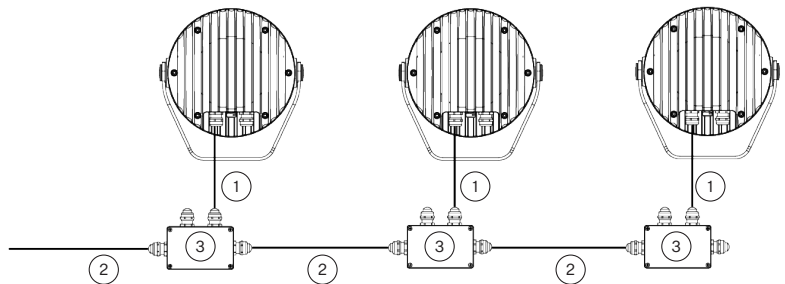
- 1) Leader Cables FF - 2 | 5 | 10 | 25 | 50 m
- 2) Jumper Cables FF/FM - 0.25 | 0.5 | 1 | 2 | 3 | 5 | 10 m
- 3) Junction Box for Calumma S-XL / Eminere CE (10981268 for RAL9011)
- 4) Flamar 3x16 AWG + 1x(2x24 AWG) - (13051508) Standard 1 m with bare-end, black or HYB-5731ZH LSZH (13053694), Hybrid Cable, white
- 5) Junction Box

Note: The last unplugged connector must be fitted with a Waterproof Cap to protect the IP rating.



ON/OFF

- 1) H07RN-F 3G 1.5 (13050919), 3-cored cable, Standard 1 m with bare-end, black
- 2) H07RN-F 3G 1.5 (13050919), 3-cored cable, Standard 1 m with bare-end, black or Scope of Others
- 3) Junction Box or Scope of Others

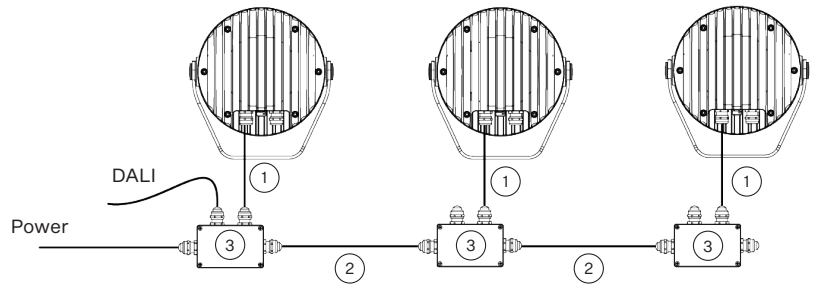


Note: This type of connection is available for Pure White and single color version only. Non dimmable.

CONTROL AND CONNECTION OPTIONS - US

DALI

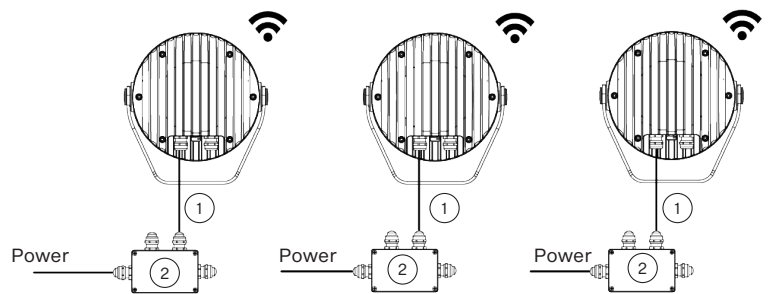
- 1) SJTW 5x14 AWG (13053693), Standard 1 m with bare-end, black or Cable SJTW 5x14 AWG (13053697), white
- 2) SJTW 5x14 AWG (13053693), black or Cable SJTW 5x14 AWG (13053697), white or Scope of Others
- 3) Junction Box



Note: The last unplugged connector must be fitted with a Waterproof Cap to protect the IP rating.

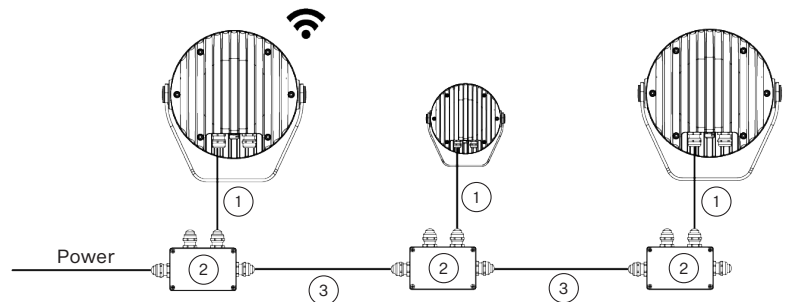
WIRELESS DMX

- 1) SJTW 6x14 AWG (13053480), Standard 1 m with bare-end, black or Cable SJTW 6x14 AWG (13053695), white
- 2) Junction Box



Note: This type of connection is available for M, L, XL versions

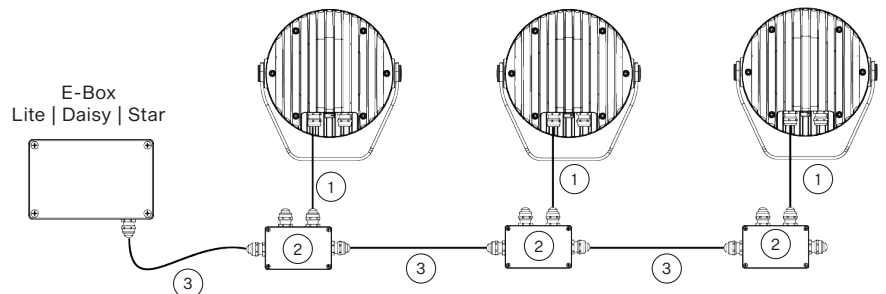
- 1) SJTW 6x14 AWG (13053480), Standard 1 m with bare-end, black or Cable SJTW 6x14 AWG (13053695), white
- 2) Junction Box
- 3) SJTW 6x14 AWG (13053480), black or Cable SJTW 6x14 AWG (13053695), white or Scope of Others



Note: This type of connection must have M, L or XL versions as the first luminaire. Next luminaires in a row could be chosen from S, M, L or XL versions.

DMX or ETHERNET via E-BOX

- 1) SJTW 6x14 AWG (13053480) Standard 1 m with bare-end, black or Cable SJTW 6x14 AWG (13053695), white
- 2) Junction Box
- 3) SJTW 6x14 AWG (13053480), black or Cable SJTW 6x14 AWG (13053695), white or Scope of Others



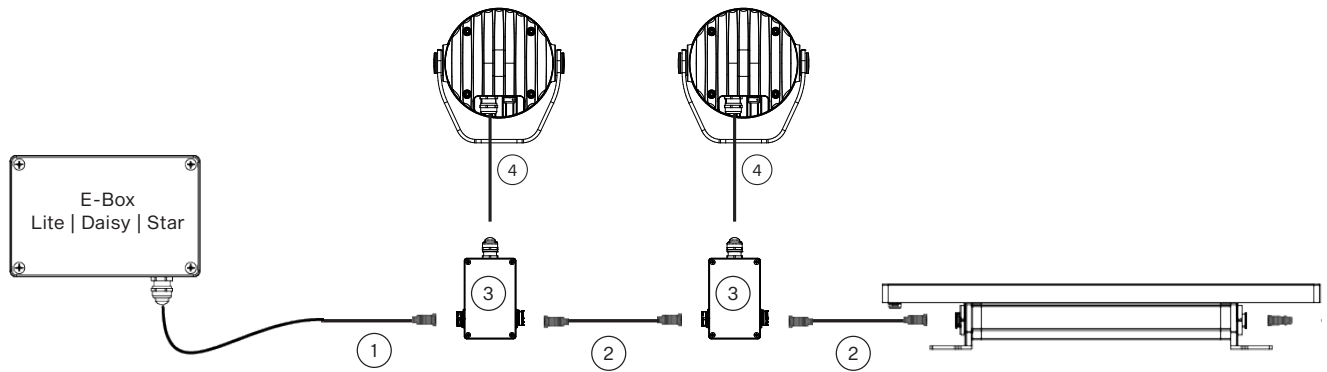
Note: This type of connection is available for S, M, L, and XL versions. E-Box has to be in Pass Through mode only.

CONTROL AND CONNECTION OPTIONS - US

DMX WITH JUNCTION BOX FOR CALUMMA XL / EMINERE (US)

- 1) Leader Cables FF - 2 | 5 | 10 | 25 | 50 m
- 2) Jumper Cables FF/FM - 0.25 | 0.5 | 1 | 2 | 3 | 5 | 10 m
- 3) Junction Box for Calumma S–XL / Eminere US (10981269 for RAL9011)
- 4) SJTW 6x14 AWG (13053480) Standard 1 m with bare-end, black or Cable SJTW 6x14 AWG (13053695), white

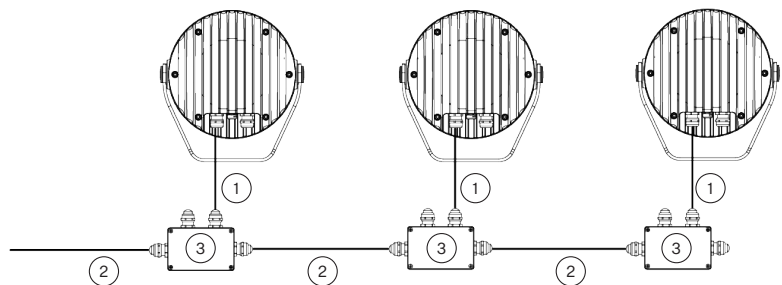
Note: The last unplugged connector must be fitted with a Waterproof Cap to protect the IP rating.



ON/OFF

- 1) SEOW power 3x16 AWG (13051558-01), 3-cored cable, standard 1 m with bare-end, black
- 2) SEOW power 3x16 AWG (13051558-01), 3-cored cable, standard 1 m with bare-end, black or Scope of Others
- 3) Junction Box or Scope of Others

Note: This type of connection is available for Pure White & single color version only. Non dimmable.



CONNECTIVITY

Following table shows maximum connected Calummas XL SC in a row with respect of cable length.

STANDARD MODE	Cable length (m)	Voltage (V)			
		120	190	230	277
CALUMMA XL SC	10	10	16	19	23
	20	10	16	19	23
	30	7	16	19	23
	50	4	10	15	22
	70	3	7	11	16
	100	2	5	8	11
	200	1	3	4	6
	500	0	1	2	2

PASS-THROUGH MODE	Cable length (m)	Voltage (V)			
		120	190	230	277
CALUMMA XL SC	10	10	16	19	23
	20	10	16	19	23
	30	7	16	19	23
	50	4	10	15	22
	70	3	7	11	16
	100	2	5	8	11

BOOSTER BOX POSITIONS

	Cable length (m)	Max. number of Calummas XL SC= 191 (in Standard mode)			
		120 V	190 V	230 V	277 V
CALUMMA XL SC	10 m	10, 20	16	19	23
	20 m	10, 20, 30, 40, 50	16, 32, 48	19, 38	23, 46
	30 m	7, 14, 21, 28, 35, 42, 49, 56, 64...	16, 32, 48, 64	19, 38, 57, 76	23, 46, 69
	50 m	4, 8, 12, 16, 20, 24, 28, 32, 36, 40, 44, 48, 52, 56, 60, 64, 68, 72, 76, 80, 84...	10, 20, 30, 40, 50, 60, 70, 80, 90, 100...	15, 30, 45, 60, 75, 90, 105..	22, 44, 66, 88, 110...
	70 m	3, 6, 9, 12, 15, 18, 21, 24, 27, 30, 33, 36, 39, 42, 45, 48, 51, 54, 57, 60, 63, 66, 69, 72, 75, 78, 81...	7, 14, 21, 28, 35, 42, 49, 56, 63, 70, 77, 84, 91, 98...	11, 22, 33, 44, 55, 66, 77, 88, 99, 110, 121...	16, 32, 48, 64, 80, 96, 112...
	100 m	2, 4, 6, 8, 10, 12, 14, 16, 18, 20...	5, 10, 15, 20, 25, 30, 35, 40, 45...	8, 16, 24, 32, 40, 48, 56, 64, 72, 80, 88, 96...	11, 22, 33, 44, 55, 66, 77, 88, 99, 110, 121...
	200 m	1, 2, 3, 4, 5, 6, 7, 8, 9, 10, 11....	3, 6, 9, 12, 15, 18, 21, 24, 27, 30, 33, 36, 39, 42, 45, 48, 51, 54, 57, 60, 63, 66, 69, 72, 75, 78, 81...	4, 8, 12, 16, 20, 24, 28, 32, 36, 40, 44, 48, 52, 56, 60, 64, 68, 72, 76, 80, 84...	6, 12, 18, 24, 30, 36...
	500 m	-	1, 2, 3, 4, 5, 6, 7, 8, 9, 10, 11....	2, 4, 6, 8, 10, 12, 14, 16, 18, 20...	2, 4, 6, 8, 10, 12, 14, 16, 18, 20...

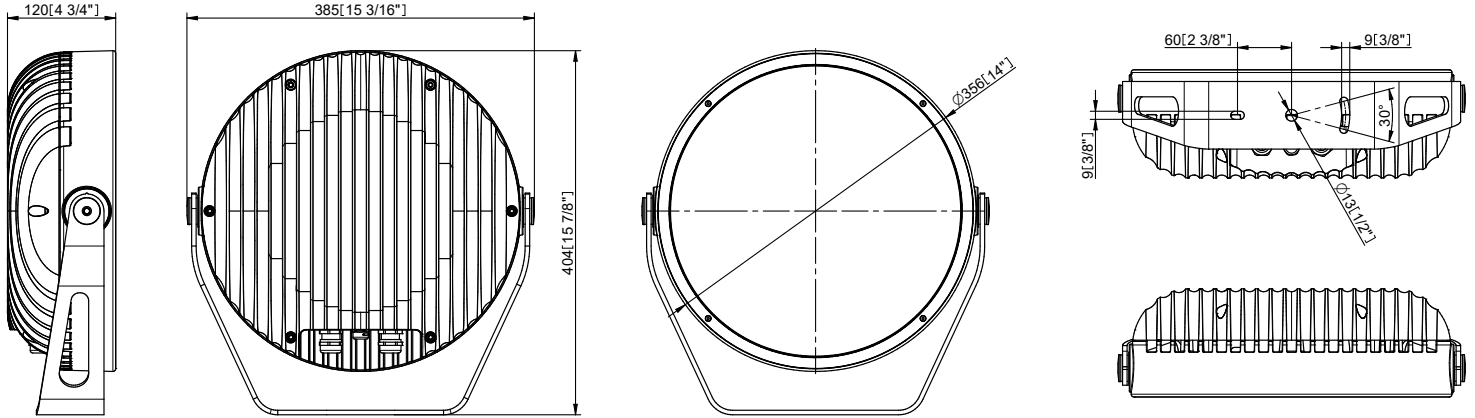
NOTE: For more detail see the User manual.

PROJECTED AREA

	Front (rear) - m ²	Front (rear) ft ²	Side - m ²	Side - ft ²	Top - m ²	Top - ft ²
Calumma XL	0,105	1,130	0,044	0,469	0,042	0,446
with Top Hat	0,105	1,130	0,107	1,151	0,105	1,130
with Half Top Hat	0,105	1,130	0,064	0,684	0,105	1,130

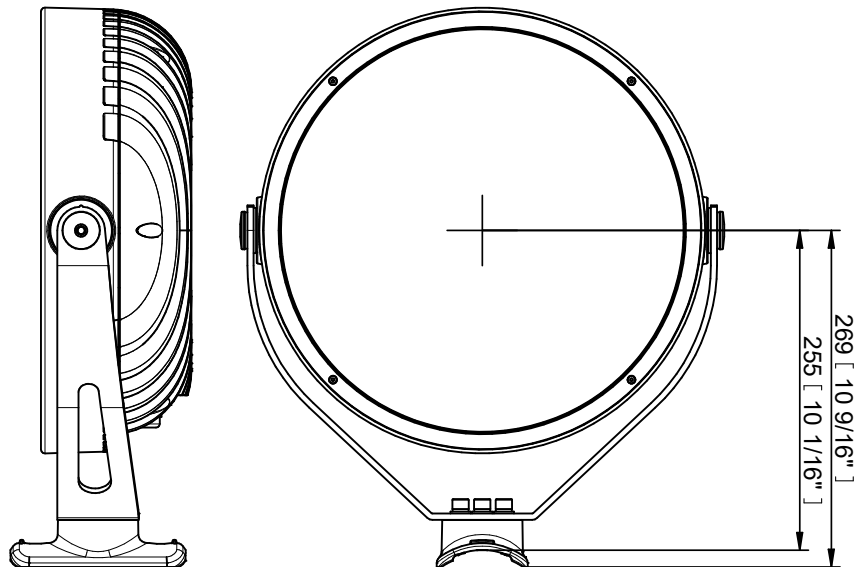
DIMENSIONS

Standard Yoke



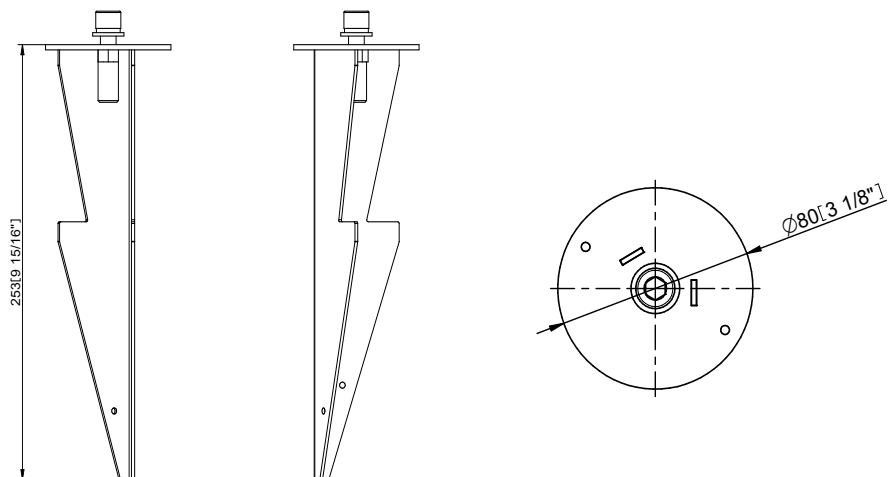
Yoke for Pole Adaptor (with Pole Adaptor / PA)

Example of ordering code: Calumma XL SC RGBCW 15° PA

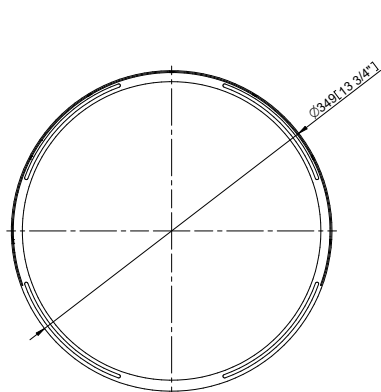


ACCESSORIES

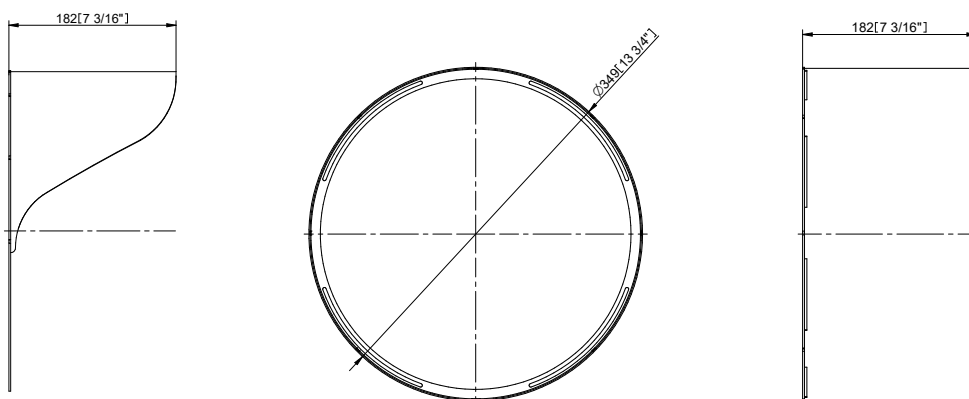
Land Spike for Calumma (S, M, L, XL)



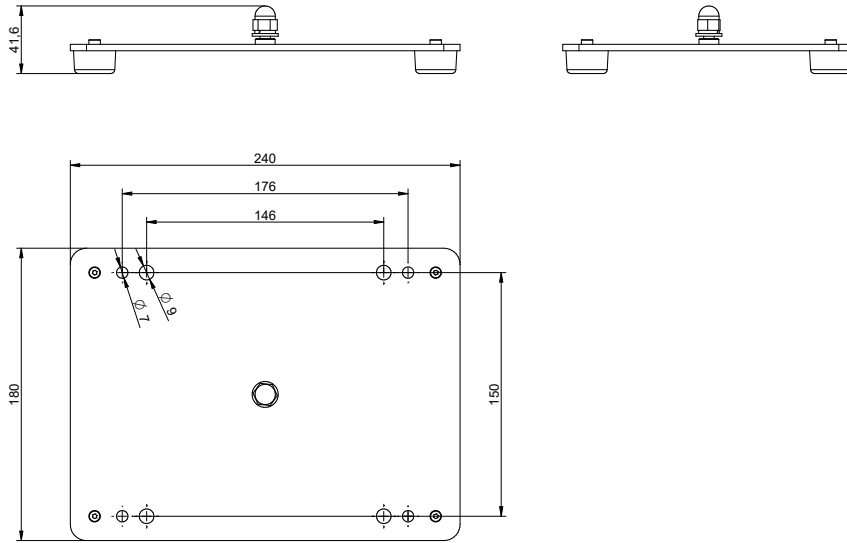
Half Top Hat



Top Hat



Floor Stand



Pole Adaptor

