

CALUMMA™ UN L SC

A high-performance architectural luminaire designed for precise and powerful illumination of prominent vertical features. Its advanced optical system with high-efficacy single-chip LEDs delivers intense illumination – 31 LEDs in the 5° and 7° versions and 13 LEDs in the 2.5° and 3.5° versions. A range of LED colour options and ultra-narrow beam distributions with minimal light spill provide exceptional precision and control, making it ideal for highlighting tall, refined architectural elements. Its durable housing is designed to perform reliably in demanding outdoor conditions, with a dedicated finish for harsh and marine environments. In/Out daisy-chain capability via E-Box and hybrid Plug & Play connectors simplifies installation, while a comprehensive range of accessories and control protocols ensures outstanding flexibility for architectural lighting applications.



KEY FEATURES

Lumen output & Light source

Luminaire with 31 LEDs (5° / 7°, ø32 mm) and 13 LEDs (2.5° / 3.5°, ø45 mm) delivers up to 3540 lumen output. Precise optical control with ultra-narrow beam angles ensures virtually no light spill and outstanding accuracy.

Design & Durability

Compact, durable and stylish housing made of high-pressure die cast aluminium. IP67 and IK10 certification; suitable for marine applications (Harsh Environment Finish required) and traffic applications. Supported with a 5 year warranty.

Flexibility

Equipped with precision-engineered 2.5°, 3.5°, 5° and 7° narrow-beam optics, Calumma UN L delivers an exceptionally focused light distribution for long-distance accent applications. Its powerful output makes it ideal for highlighting prominent architectural features, such as church spires or other landmark elements, with precise and controlled illumination.

Connectivity

Utilising the innovative E-Box series of power and data interfaces, Calumma UN L can communicate via numerous wired, wireless, and Ethernet based control protocols. Various wiring topologies are supported using hybrid power / data cables with Plug & Play connectors or standard connection options.

COLOURS

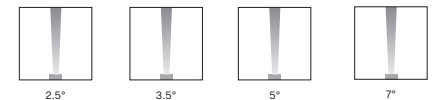
STANDARD



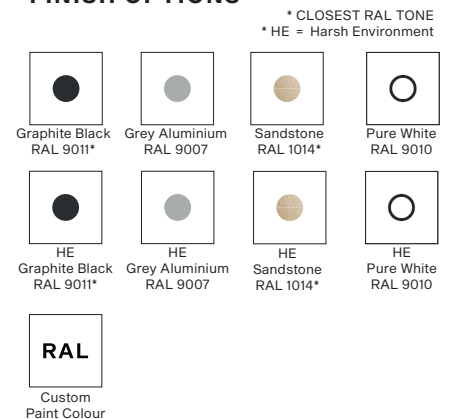
UPON REQUEST



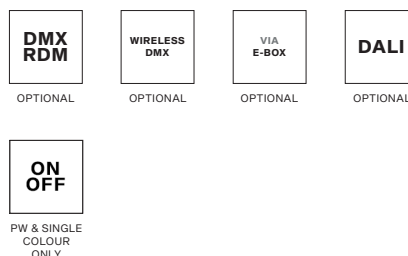
OPTIC OPTIONS



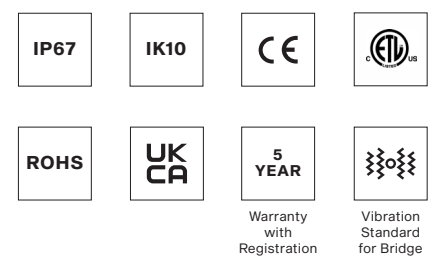
FINISH OPTIONS



CONTROL & PROTOCOLS



STANDARD & SPECIFICATION



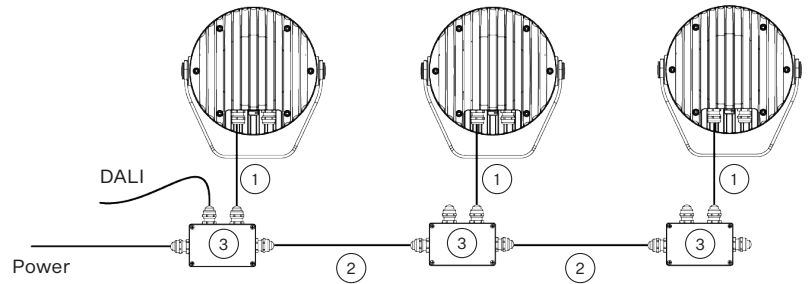
SPECIFICATION

| | | | | |
|-------------------------------|---|---|---|--|
| ELECTRICAL | Input Voltage | 120–277 V AC 50/60 Hz (US) | | |
| | Typical Power Consumption | 53 W +/-10 % (@ 2.5°, 3.5°), 105 W (@ 5°, 7°) | | |
| OPTICAL | Light Source | 13 High Power Single Chip LEDs (2.5°, 3.5°) | 31 High Power Single Chip LEDs (5°, 7°) | |
| | Colour Variants | RGBW (W - 6500 K) RGBA Pure White (W - 3000 K) Tuneable White (2200–3000 K) | | |
| | | Custom Setup On Request: Red, Green, Blue, Amber, 2200 K, 2700 K, 3000 K, 4000 K, 6500 K | | |
| | Beam Angle | 2.5° 3.5° 5° 7° | | |
| | Lumen Output Delivered | 3540 lm (@ 5°, PW 3000 K) TBC | | |
| | Projected Lumen Maintenance | L90B10 >90.000 hrs, Ta = 25°C / 77°F | | |
| | LED Diameter | LED (2.5°, 3.5°), ø 45 mm | LED (5°, 7°), ø 32 mm | |
| CONTROL | Interface Protocol | Via E-Box range, DMX/RDM, wireless DMX, DALI 2 or ON/OFF (PW & single colour only) | | |
| | E-box control protocol | USITT DMX512+RDM, ArtNet, MA Net, MA Net2, sACN, Kling-Net | | |
| | DALI 2 Device Type | DT 8 | | |
| | Wireless DMX (Option) | Lumen Radio CRMX Technology | | |
| | Control System | Third Party DMX Controllers or third party DALI 2 controllers, Ethernet | | |
| | Operating Modes | DMX, Stand-alone | | |
| | Settings / Addressing | E-Box, RDM communicator | | |
| | Power Supply | Integrated | | |
| PHYSICAL | Width x Height x Depth Weight | 338 x 360 x 116 mm (13.31 x 14.13 x 4.57 in.) 9.7 kg (21.38 lbs) | | |
| | Housing | High Pressure Die-Cast Aluminium Body Tempered Glass | | |
| | Finish Options | Standard Colour | Graphite Black RAL 9011 Grey Aluminium RAL 9007 Pure White RAL 9010 Sandstone RAL 1014 | |
| | | Standard Colour Harsh Environment | Graphite Black RAL 9011 Grey Aluminium RAL 9007 Pure White RAL 9010 Sandstone RAL 1014 | |
| | | Cost Option | Custom RAL | |
| | Cables / Connections | IN/OUT (for E- Box version): - 0.5 m cables with hybrid connectors - Jumper cables | IN (for DMX, DALI, ON / OFF): - 1 m cable with bare-end - Other cable length - custom - Junction box - optional | |
| | Mounting Method | Yoke or Yoke for Pole Adaptor | | |
| Adjustability | +180° / -180° | | | |
| Protection Factor | IP67 / Suitable For Wet Locations | | | |
| IK Rating | IK10 | | | |
| Cooling System | Convection | | | |
| Operating Ambient Temperature | -20°C / +50°C (-4°F / +122°F) | | | |
| CERTIFICATION | Listings | ETL / cETL, CE, RoHS, UKCA | | |
| ACCESSORIES | Not Included Items | | | |
| | | Junction Box for Calumma S–XL / Eminere (CE or US) | | |
| | | Land Spike for Calumma L | | |
| | | Top Hat Calumma L | | |
| | | Half Top Hat Calumma L | | |
| | | Re-enterable Electrical Insulating Resin | | |
| | | Floor stand for Calumma L, XL | | |
| | Pole Adaptor (ø 102mm) (Yoke for Pole Adaptor Required) | | | |

CONTROL AND CONNECTION OPTIONS - CE

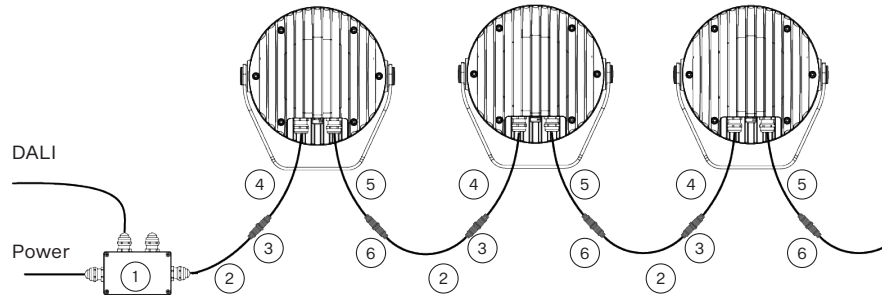
DALI

- 1) Hybrid Cable (13053693) Standard 1 m with bare-end, black or on request Hybrid cable (13053697), 1 m with bare-end, white
- 2) Hybrid Cable (13053693) Standard 1 m with bare-end, black or on request Hybrid cable (13053697), 1 m with bare-end, white or Scope of Others
- 3) Junction Box



- 1) Junction Box
- 2) Hybrid Cable (13053693) Standard 1 m with bare-end, black or on request Hybrid cable (13053697), 1 m with bare-end, white
- 3) Field Installable Connector FF DC-05 (13053971)
- 4) Hybrid Cable (13053693), black, standard 0.5 m with Field Installable Connector MM DC-05 (13053972), black
or on request Hybrid cable (13053697), white, 0.5 m with Field Installable Connector MM DC-05 (13053972), black

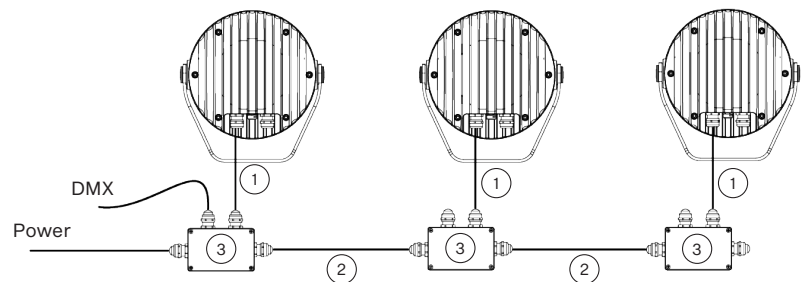
- 5) Hybrid Cable (13053693), black, standard 0.5 m with Field Installable Connector FF DC-05 (13053971), black
or on request Hybrid cable (13053697), white, 0.5 m with Field Installable Connector FF DC-05 (13053971), black
- 6) Field Installable Connector MM DC-05 (13053972)



Note: The last unplugged connector must be fitted with a Waterproof Cap to protect the IP rating.

DMX

- 1) Flamar 3x16 AWG + 1x(2x24 AWG) - (13051508), Standard 1 m with bare-end, black or HYB-5731ZH LSZH (13053694), Hybrid Cable, white
- 2) Flamar 3x16 AWG + 1x(2x24 AWG) - (13051508), black or HYB-5731ZH LSZH (13053694), Hybrid Cable, white or Scope of Others
- 3) Junction Box

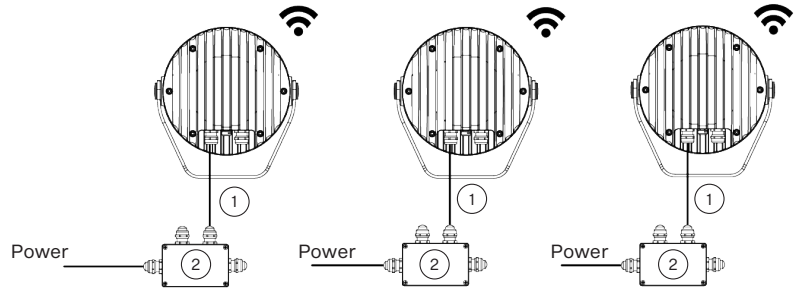


CONTROL AND CONNECTION OPTIONS - CE

WIRELESS DMX

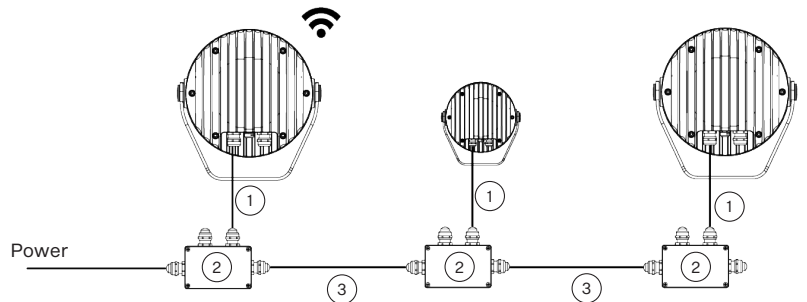
- 1) Flamar 3x16 AWG + 1x(2x24 AWG) - (13051508), Standard 1 m bare-end, black or Hybrid Cable HYB-5731ZH LSZH (13053694), white
- 2) Junction Box

Note: This type of connection is available for M, L, XL versions.



- 1) Flamar 3x16 AWG + 1x(2x24 AWG) - (13051508), Standard 1 m bare-end, black or Hybrid Cable HYB-5731ZH LSZH (13053694), white
- 2) Junction Box
- 3) Flamar 3x16 AWG + 1x(2x24 AWG) - (13051508) or HYB-5731ZH LSZH (13053694), Hybrid Cable, white or Scope of Others

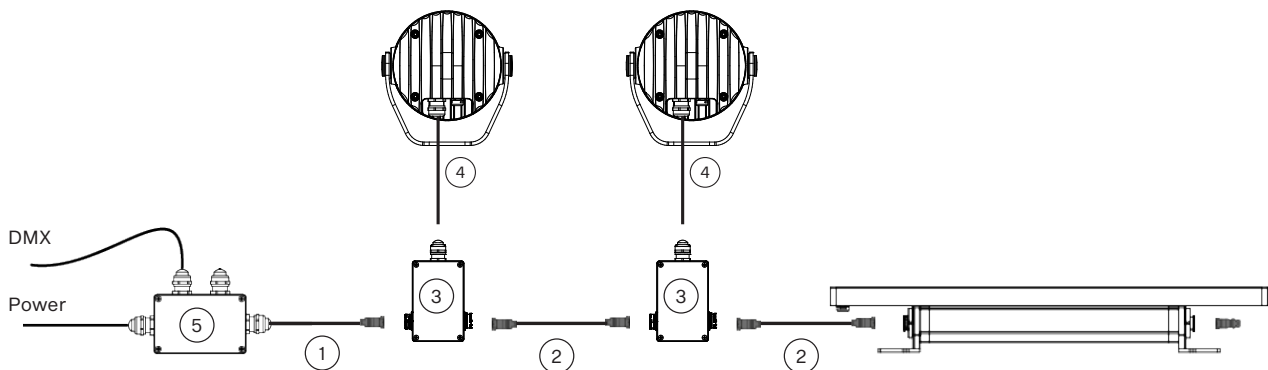
Note: This type of connection must have M, L or XL versions as the first luminaire. Next luminaires in a row could be chosen from S, M, L or XL versions.



DMX WITH JUNCTION BOX FOR CALUMMA L / EMINERE (CE)

- 1) Leader Cables FF - 2 | 5 | 10 | 25 | 50 m
- 2) Jumper Cables FF/FM - 0.25 | 0.5 | 1 | 2 | 3 | 5 | 10 m
- 3) Junction Box for Calumma S–XL / Eminere CE (10981268 for RAL9011)
- 4) Flamar 3x16 AWG + 1x(2x24 AWG) - (13051508) Standard 1 m with bare-end, black or HYB-5731ZH LSZH (13053694), Hybrid Cable, white
- 5) Junction Box

Note: The last unplugged connector must be fitted with a Waterproof Cap to protect the IP rating.

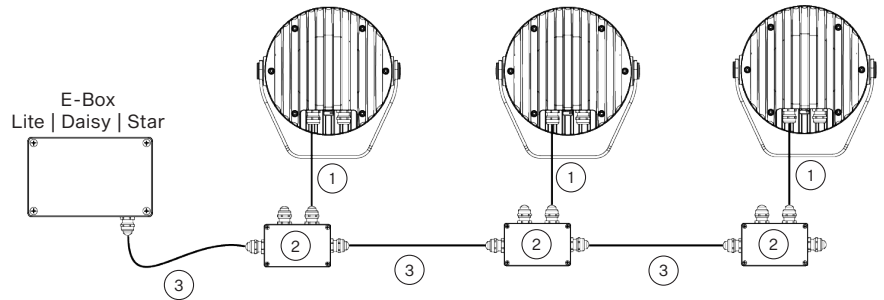


CONTROL AND CONNECTION OPTIONS - CE

DMX or ETHERNET via E-BOX

- 1) Flamar 3x16 AWG + 1x(2x24 AWG) - (13051508), Standard 1 m with bare-end, black or HYB-5731ZH LSZH (13053694), Hybrid cable, white
- 2) Junction Box
- 3) Flamar 3x16 AWG + 1x(2x24 AWG) - (13051508), black or HYB-5731ZH LSZH (13053694), Hybrid cable, white or Scope of Others

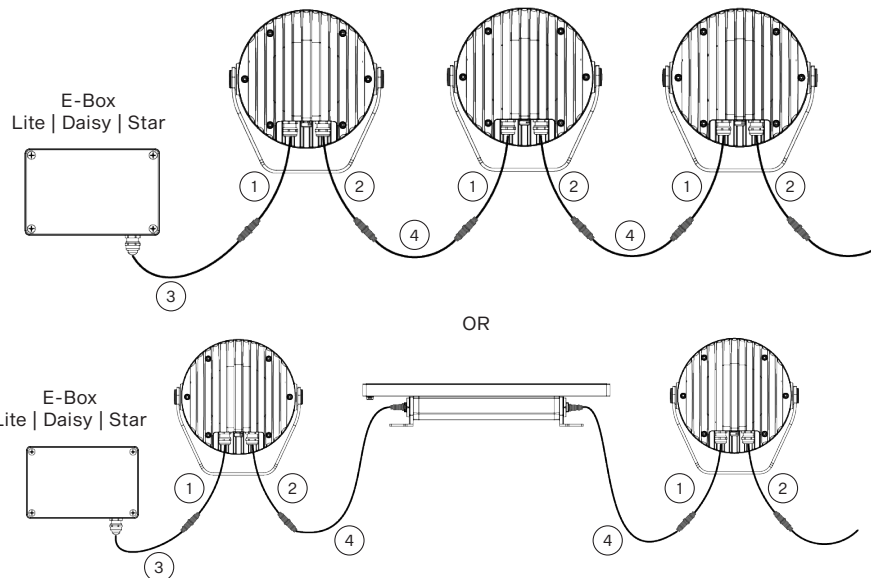
Note: This type of connection is available for S, M, L, and XL versions. E-Box has to be in Pass Through mode only.



- 1) Leader Cable MM (13053493) Standard 0.5 m with hybrid connector
- 2) Leader Cable MF (13053494) Standard 0.5 m with hybrid connector
- 3) Leader Cable FF 2 m (13053438)
Leader Cable FF 5 m (13053440)
Leader Cable FF 10 m (13053436)
Leader Cable FF 25 m (13053437)
Leader Cable FF 50 m (13053439)

- 4) Jumper Cable FF/FM 0.25 m (13053422)
Jumper Cable FF/FM 0.5 m (13053423)
Jumper Cable FF/FM 1 m (13053425)
Jumper Cable FF/FM 2 m (13053427)
Jumper Cable FF/FM 3 m (13053428)
Jumper Cable FF/FM 5 m (13053430)
Jumper Cable FF/FM 10 m (13053424)

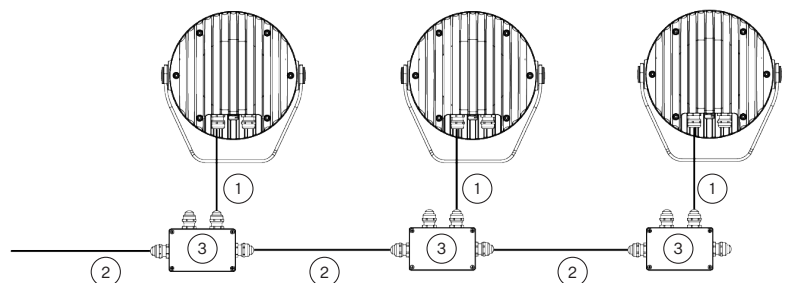
Note: With this type of connection is possible to connect Calumma (M, L, XL) and Eminere (Eminere, Eminere Side) luminaires in a row.



ON/OFF

- 1) H07RN-F 3G 1.5 (13050919), 3-cored cable, Standard 1 m with bare-end, black
- 2) H07RN-F 3G 1.5 (13050919), 3-cored cable, Standard 1 m with bare-end, black or Scope of Others
- 3) Junction Box or Scope of Others

Note: This type of connection is available for Pure White and single colour version only. Non dimmable.

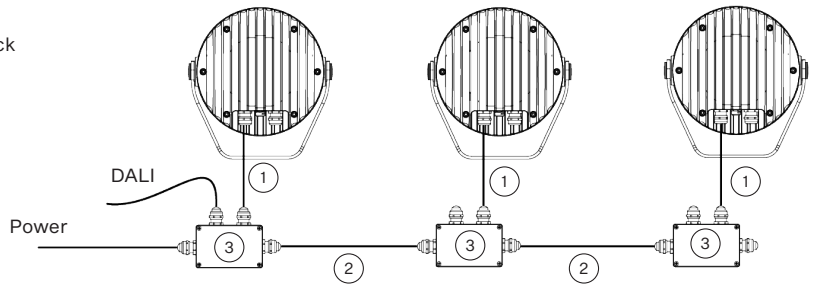


CONTROL AND CONNECTION OPTIONS - US

DALI

- 1) SJTW 5x14 AWG (13053693), Standard 1 m with bare-end, black or Cable SJTW 5x14 AWG (13053697), white
- 2) SJTW 5x14 AWG (13053693), black or Cable SJTW 5x14 AWG (13053697), white or Scope of Others
- 3) Junction Box

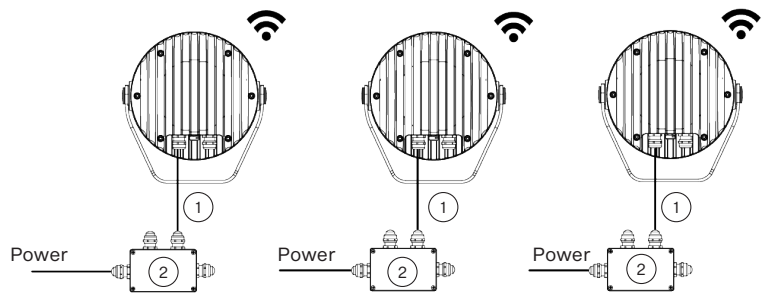
Note: The last unplugged connector must be fitted with a Waterproof Cap to protect the IP rating.



WIRELESS DMX

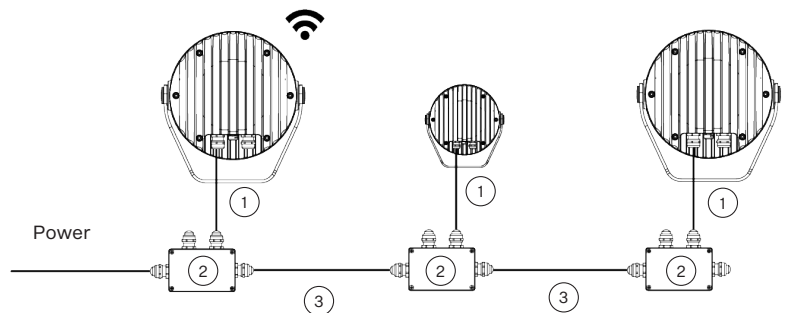
- 1) SJTW 6x14 AWG (13053480), Standard 1 m with bare-end, black or Cable SJTW 6x14 AWG (13053695), white
- 2) Junction Box

Note: This type of connection is available for M, L, XL versions



- 1) SJTW 6x14 AWG (13053480), Standard 1 m with bare-end, black or Cable SJTW 6x14 AWG (13053695), white
- 2) Junction Box
- 3) SJTW 6x14 AWG (13053480), black or Cable SJTW 6x14 AWG (13053695), white or Scope of Others

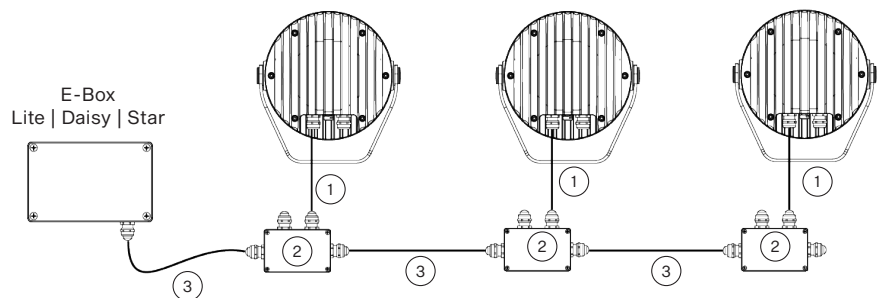
Note: This type of connection must have M, L or XL versions as the first luminaire. Next luminaires in a row could be chosen from S, M, L or XL versions.



DMX or ETHERNET via E-BOX

- 1) SJTW 6x14 AWG (13053480) Standard 1 m with bare-end, black or Cable SJTW 6x14 AWG (13053695), white
- 2) Junction Box
- 3) SJTW 6x14 AWG (13053480), black or Cable SJTW 6x14 AWG (13053695), white or Scope of Others

Note: This type of connection is available for S, M, L, and XL versions. E-Box has to be in Pass Through mode only.

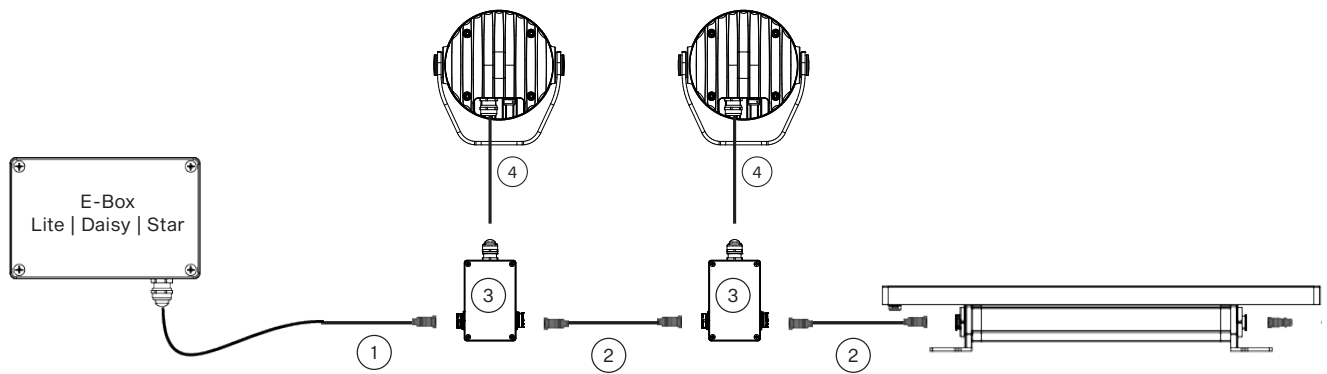


CONTROL AND CONNECTION OPTIONS - US

DMX WITH JUNCTION BOX FOR CALUMMA L / EMINERE (US)

- 1) Leader Cables FF - 2 | 5 | 10 | 25 | 50 m
- 2) Jumper Cables FF/FM - 0.25 | 0.5 | 1 | 2 | 3 | 5 | 10 m
- 3) Junction Box for Calumma S-XL / Eminere US (10981269 for RAL9011)
- 4) SJTW 6x 14AWG (13053480) Standard 1 m with bare-end, black or Cable SJTW 6x 14AWG (13053695), white

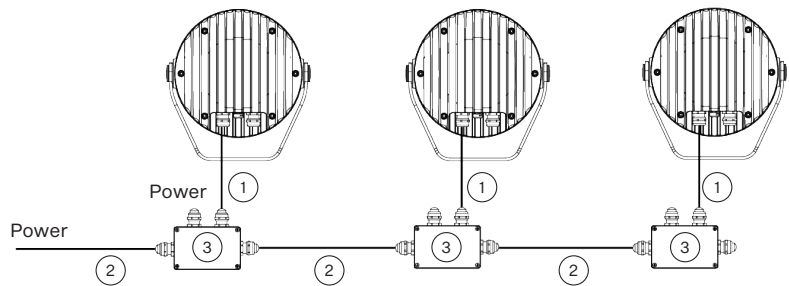
Note: The last unplugged connector must be fitted with a Waterproof Cap to protect the IP rating.



ON/OFF

- 1) SEOOW power 3x16 AWG (13051558-01), 3-cored cable, standard 1 m with bare-end, black
- 2) SEOOW power 3x16 AWG (13051558-01), 3-cored cable, standard 1 m with bare-end, black or Scope of Others
- 3) Junction Box or Scope of Others

Note: This type of connection is available for Pure White & single color version only. Non dimmable.



CONNECTIVITY

Following table shows maximum connected Calummas L SC in a row with respect of cable length.

| STANDARD MODE | Cable length (m) | Voltage (V) | | | |
|---------------|------------------|-------------|-----|-----|-----|
| | | 120 | 190 | 230 | 277 |
| CALUMMA L SC | 10 | 17 | 26 | 32 | 38 |
| | 20 | 17 | 26 | 32 | 38 |
| | 30 | 12 | 26 | 32 | 38 |
| | 50 | 7 | 18 | 26 | 37 |
| | 70 | 5 | 13 | 18 | 27 |
| | 100 | 3 | 9 | 13 | 19 |
| | 200 | 3 | 4 | 6 | 9 |
| | 500 | 1 | 2 | 3 | 4 |

| PASS-THROUGH MODE | Cable length (m) | Voltage (V) | | | |
|-------------------|------------------|-------------|-----|-----|-----|
| | | 120 | 190 | 230 | 277 |
| CALUMMA L SC | 10 | 17 | 26 | 32 | 32 |
| | 20 | 17 | 26 | 32 | 32 |
| | 30 | 12 | 26 | 32 | 32 |
| | 50 | 7 | 18 | 26 | 32 |
| | 70 | 5 | 13 | 18 | 27 |
| | 100 | 3 | 9 | 13 | 19 |

PROJECTED AREA

| | Front (rear) - m ² | Front (rear) ft ² | Side - m ² | Side - ft ² | Top - m ² | Top - ft ² |
|-------------------|-------------------------------|------------------------------|-----------------------|------------------------|----------------------|-----------------------|
| Calumma L | 0,080 | 0,861 | 0,037 | 0,398 | 0,035 | 0,373 |
| with Top Hat | 0,080 | 0,861 | 0,087 | 0,936 | 0,085 | 0,911 |
| with Half Top Hat | 0,080 | 0,861 | 0,059 | 0,635 | 0,082 | 0,882 |

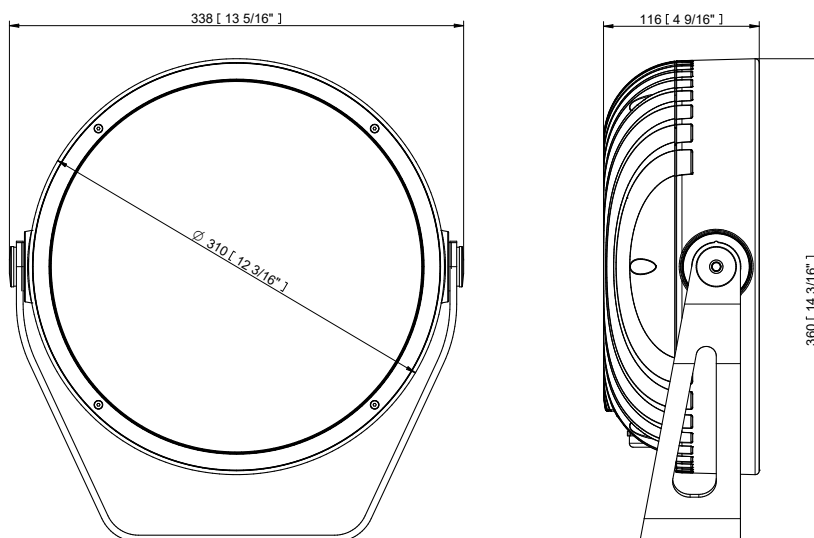
BOOSTER BOX POSITIONS

| Cable length (m) | Max. number of Calummas L MC= 191 (in Standard mode) | | | | |
|------------------|--|--|---|--|--|
| | 120 V | 190 V | 230 V | 277 V | |
| CALUMMA L SC | 10 m | 14, 28 | 22 | 27 | - |
| | 20 m | 14, 28, 42, 54 | 22, 44 | 27, 54 | 32 |
| | 30 m | 10, 20, 30, 40, 50, 60, 70, 80 | 22,44,66 | 27,54,81 | 32,64 |
| | 50 m | 6, 12, 18, 24, 30, 36, 42, 48, 54, 60, 66, 72, 78, 84, 90, 96, 102.... | 15, 30, 45, 60, 75, 90, 105, 120, 135.. | 22, 44, 66, 88, 110, 132... | 32, 64, 96, 128... |
| | 70 m | 4, 8, 12, 16, 20, 24, 28, 32, 36, 40, 44, 48, 52, 56, 60, 64, 68, 72, 76, 80, 84.... | 11, 22, 33, 44, 55, 66, 77, 88, 99, 110... | 16, 32, 48, 64, 80, 96, 112, 128, 144... | 23, 46, 69, 92, 115, 138, 161, ... |
| | 100 m | 3, 6, 9, 12, 15, 18, 21, 24, 27, 30, 33, 36, 39, 42, 45, 48, 51, 54, 57, 60, 63, 66, 69, 72, 75, 78, 81... | 7, 14, 21, 28, 35, 42, 49, 56, 63, 70, 77, 84, 91, 98, 105... | 11, 22, 33, 44, 55, 66, 77, 88, 99, 110, 121, 132... | 16, 32, 48, 64, 80, 96, 112, 128, 144, 160 |
| | 200 m | 1, 2, 3, 4, 5, 6, 7, 8, 9, 10, 11.... | 4, 8, 12, 16, 20, 24, 28, 32, 36, 40, 44, 48, 52, 56, 60, 64, 68, 72, 76, 80, 84... | 5, 10, 15, 20, 25, 30, 35, 40, 45, 50, 55, 60, 65, 70, 75... | 8, 16, 24, 32, 40, 48, 56, 64, 72, 80, 88, 96... |
| | 500 m | 1, 2, 3, 4, 5, 6, 7, 8, 9, 10, 11.... | 1, 2, 3, 4, 5, 6, 7, 8, 9, 10, 11.... | 2, 4, 6, 8, 10, 12, 14, 16, 18, 20... | 3, 6, 9, 12, 15, 18, 21.... |

NOTE: For more detail see the User manual.

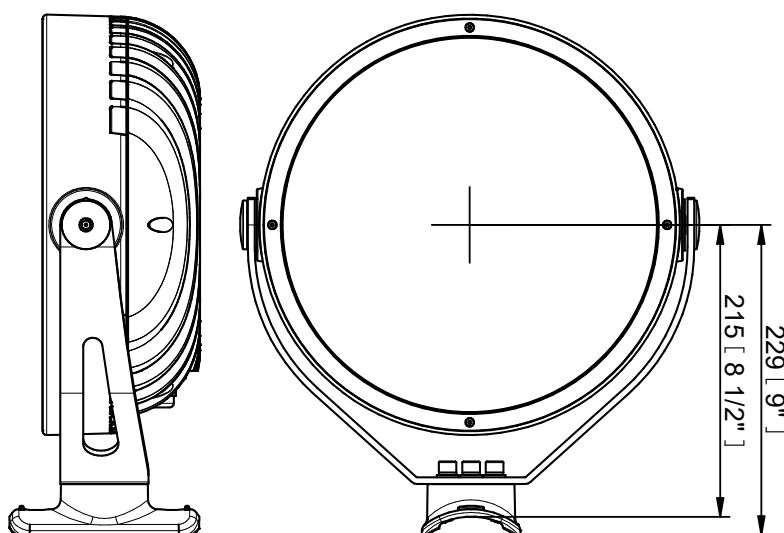
DIMENSIONS

Standard Yoke



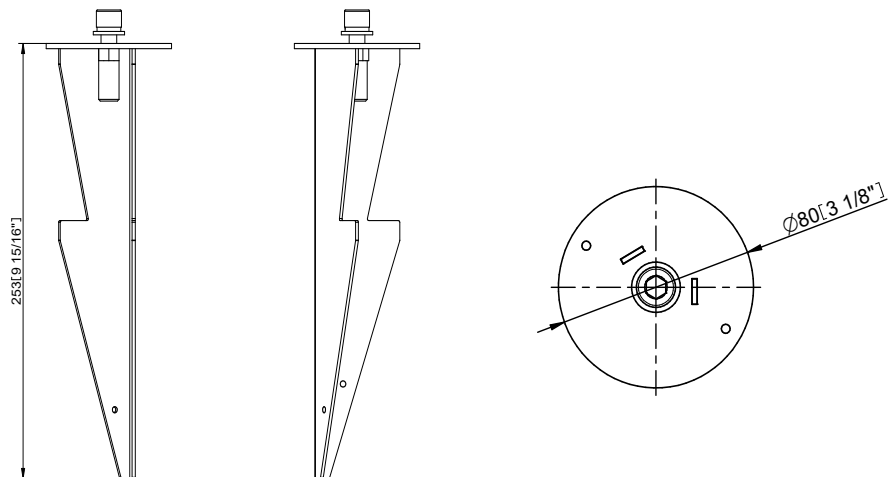
Yoke for Pole Adaptor (with Pole Adaptor / PA)

Example of ordering code: Calumma L SC RGCW 15° PA

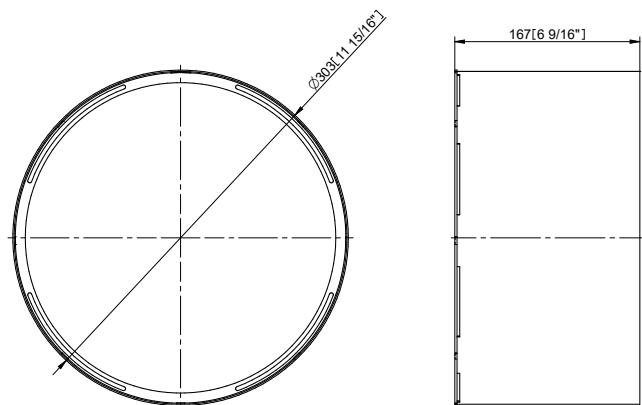


ACCESSORIES

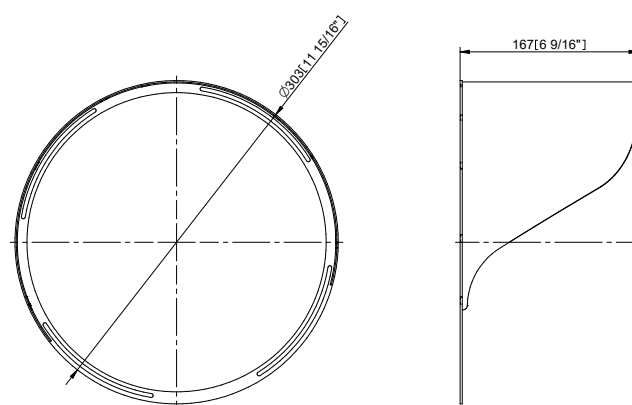
Land Spike for Calumma (S, M, L, XL)



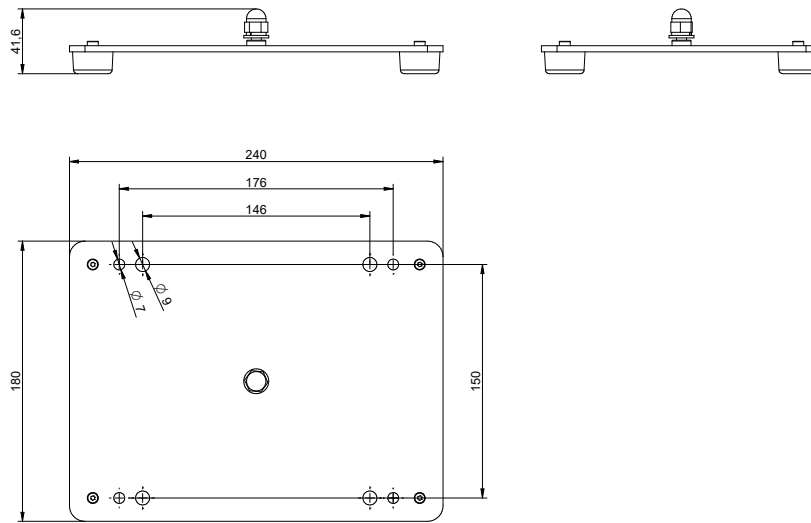
Top Hat



Half Top Hat



Floor Stand



Pole Adaptor

