

APPOLI™ S TS MC

Featuring an optical design with four high-efficacy multi-chip LEDs, the small-sized Appoli S TS MC luminaire is offered with optional LED colour variants and a precise 12° beam configuration complemented by dedicated beam-shaping foil accessories. It delivers powerful and refined light output suitable for spot, accent or flood lighting applications. Its durable housing is built to withstand any exterior conditions, an exceptional outdoor LED luminaire in an elegant design. Complemented by accessories, this luminaire is an effective and versatile tool to get the most out of architectural lighting applications.



KEY FEATURES

Lumen output & Light source

Luminaire with four high-power, multi-chip LEDs provides up to 1100 lm (@12° RGBW, 30W) lumen output. Multiple LED colour variants. No light spills. Perfectly homogenised light output.

Design & Durability

Compact, durable and stylish housing made of high-pressure die cast aluminium. IP65 and IK10 certification; certification for traffic applications. Supported with a 5 year warranty.

Flexibility

Exceptional outdoor or indoor LED luminaire with a wide range of accessories, custom colour finishes, multiple light output variants and beam angles.

Connectivity

Appoli S TS MC can be connected via DMX/RDM protocols facilitate standard connection options.

COLOURS



RGBW



RGBA

COLOUR TEMPERATURE



6.500 K

CONTROL & PROTOCOLS



OPTIONAL

FINISH OPTIONS



Black
RAL 9005



Custom
Paint Colour

OPTIC OPTIONS

SYMMETRICAL



12°

STANDARD & SPECIFICATION

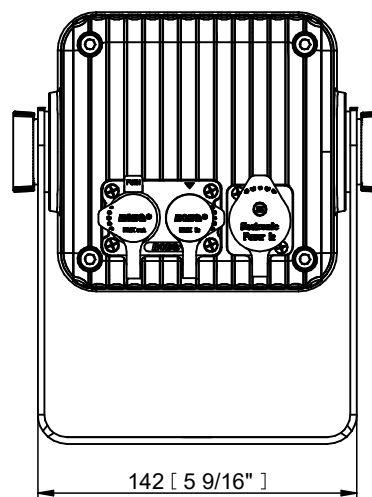
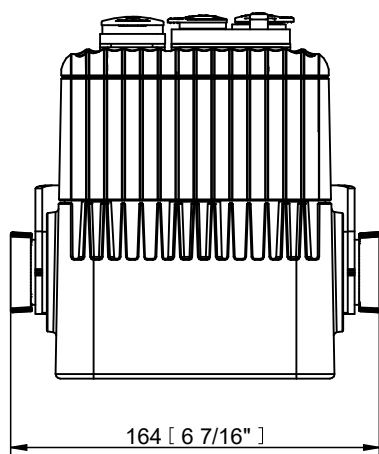
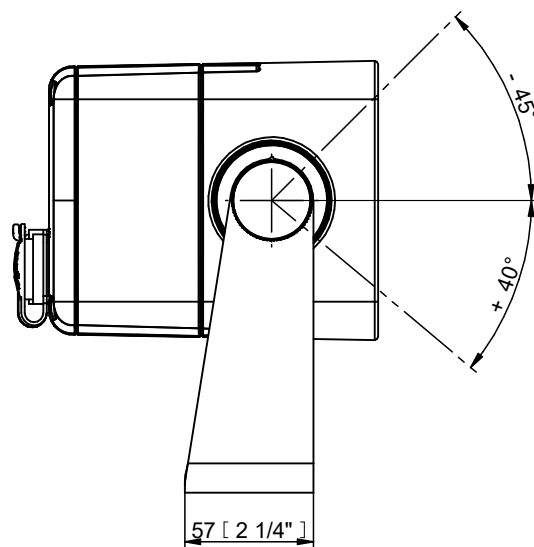
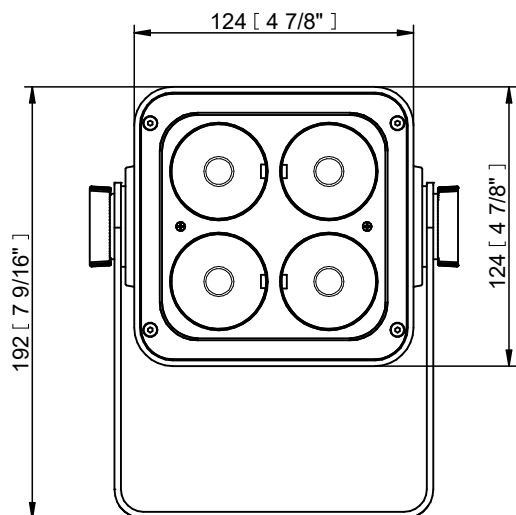


Warranty
with
Registration

SPECIFICATION

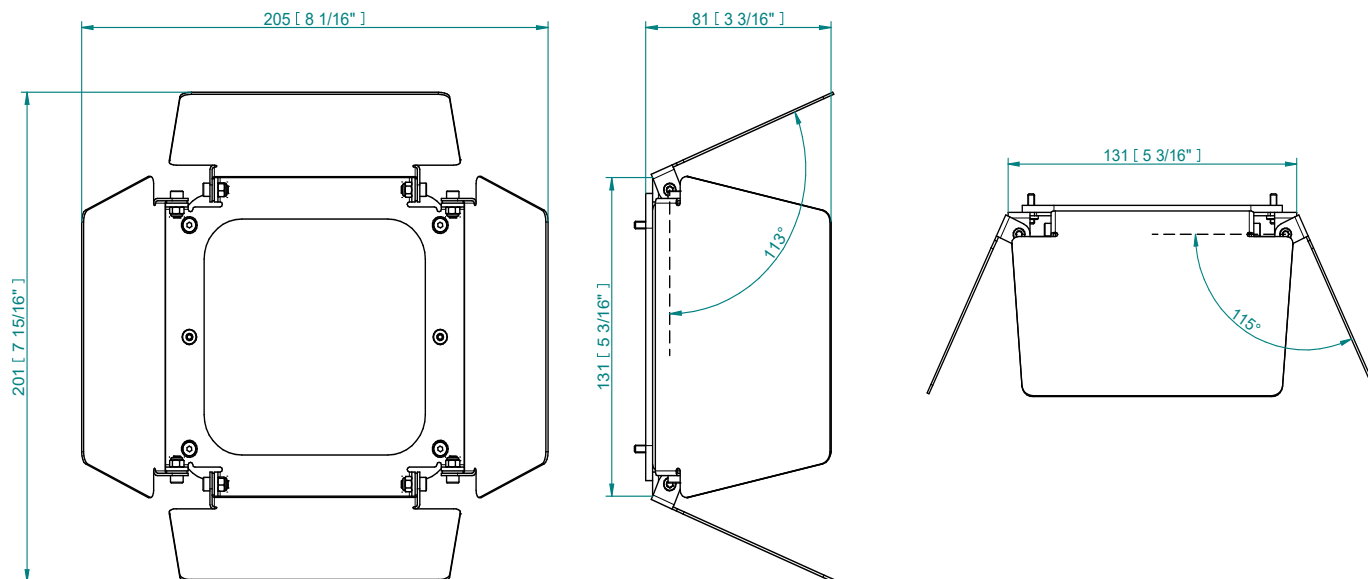
ELECTRICAL & CONNECTIONS	Input Voltage	120–277 V AC 50/60 Hz	
	Typical Power Consumption	30 W +/-10 %	
	Power connector in/out	Neutrik powerCON TRUE1 in/out	
	DMX & RDM data in/out	Locking 5-pin XLR	
OPTICAL	Light Source	High Power Multichip LEDs	
	Colour Variants	RGBW (W - 6500 K) RGBA	
	Beam Angle	12°	
	Lumen Output Delivered	1100 lm (@12° RGBW) TBC	
	Projected Lumen Maintenance	L90B10 >90.000 hrs, Ta = 25°C / 77°F	
CONTROL	Interface Protocol	DMX/RDM	
	Control System	Third Party DMX Controllers	
	Operating Modes	DMX, Stand-alone	
	Settings / Addressing	RDM communicator	
	Power Supply	Integrated	
PHYSICAL	Width x Height x Depth	164 x 192 x 162 mm (6.5 x 7.6 x 6.4 in.)	
	Weight	3 kg 6.6 lbs	
	Housing	High Pressure Die-Cast Aluminium Body	
		Tempered Glass	
	Finish Options	Standard Colour	Black RAL 9005
		Cost Option	White Face
			Custom RAL
	Connections	DMX in/out:	panel connectors
		POWER in:	panel connector
	Mounting Method	Yoke, Hanging point (M10)	
	Adjustability	+40°/-45°	
	Protection Factor	IP65	
	IK Rating	IK10	
	Cooling System	Convection	
Operating Ambient Temperature	-20°C / +50°C (-4°F / +122°F)		
CERTIFICATION	Listings	ETL / cETL, CE, RoHS, UKCA	
ACCESSORIES	Included Items	Optical Foil (25° 35° 45° 75°)	
		Optical Foil Holder (indoor use only)	
		Optical Demo Set for Appoli S	
	Not Included Items	Optical Foil Set for Outdoor Foil Holder Appoli S	
		Outdoor Foil Holder for Appoli S	
		Top Hat for Appoli S	
		Half Top Hat for Appoli S	
		Floor Stand for Appoli S	
		Barndoors for Appoli S	

DIMENSIONS

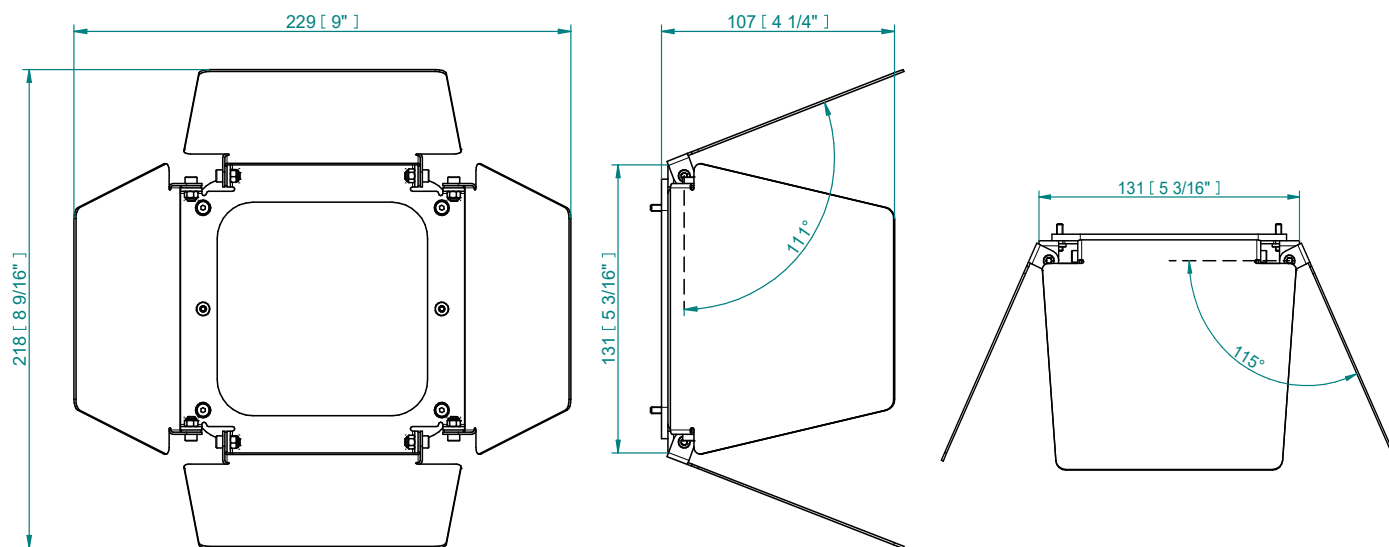


ACCESSORIES

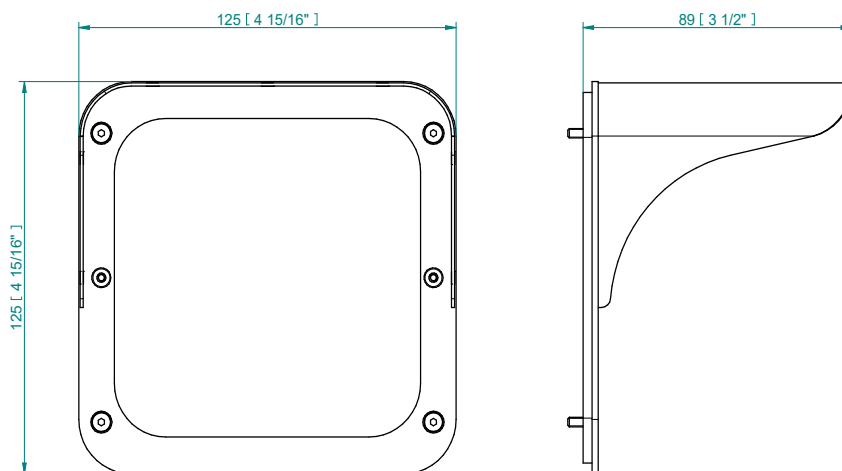
Barndoor Short for Appoli S



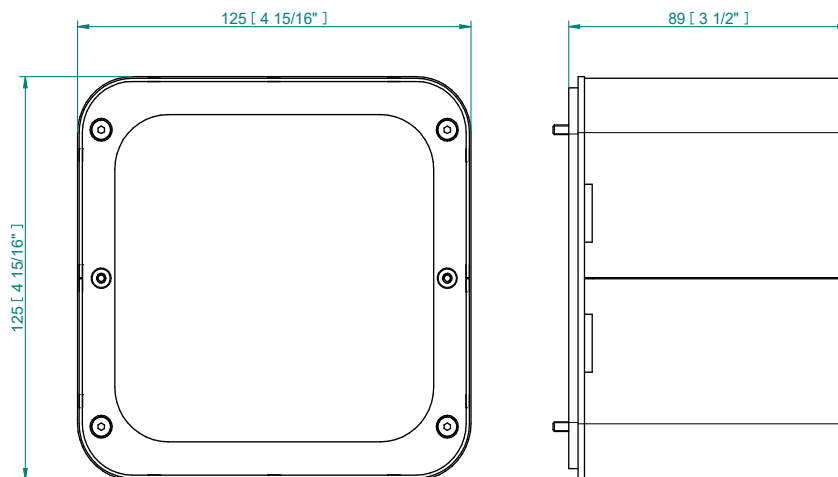
Barndoor Long for Appoli S



Half Top Hat for Appoli S



Top Hat for Appoli S



Outdoor Foil Holder for Appoli S

