

## APPOLI™ S TS MC

Featuring an optical design with four high-efficacy multi-chip LEDs, the small-sized Appoli S TS MC luminaire is offered with optional LED colour variants and a precise 12° beam configuration complemented by dedicated beam-shaping foil accessories. It delivers powerful and refined light output suitable for spot, accent or flood lighting applications. Its durable housing is built to withstand any exterior conditions, an exceptional outdoor LED luminaire in an elegant design. Complemented by accessories, this luminaire is an effective and versatile tool to get the most out of architectural lighting applications.



### KEY FEATURES

#### Lumen output & Light source

Luminaire with four high-power, multi-chip LEDs provides up to 1100 lm (@12° RGBW, 30W) lumen output. Multiple LED colour variants. No light spills. Perfectly homogenised light output.

#### Design & Durability

Compact, durable and stylish housing made of high-pressure die cast aluminium. IP65 and IK10 certification; certification for traffic applications. Supported with a 5 year warranty.

#### Flexibility

Exceptional outdoor or indoor LED luminaire with a wide range of accessories, custom colour finishes, multiple light output variants and beam angles.

#### Connectivity

Appoli S TS MC can be connected via DMX/RDM protocols facilitate standard connection options.

### COLOURS



RGBW

RGBA

### COLOUR TEMPERATURE



6.500 K

### CONTROL & PROTOCOLS



OPTIONAL

### FINISH OPTIONS



Black  
RAL 9005



Custom  
Paint Colour

### OPTIC OPTIONS

SYMMETRICAL



12°

### STANDARD & SPECIFICATION

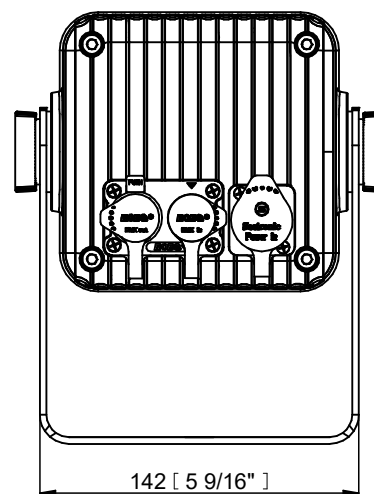
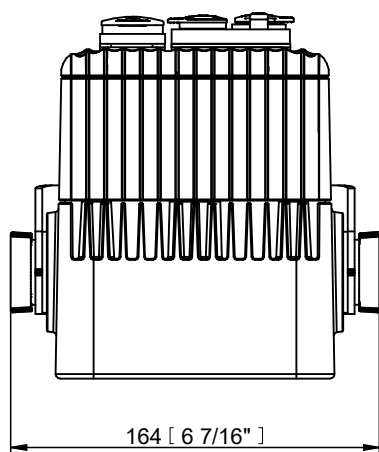
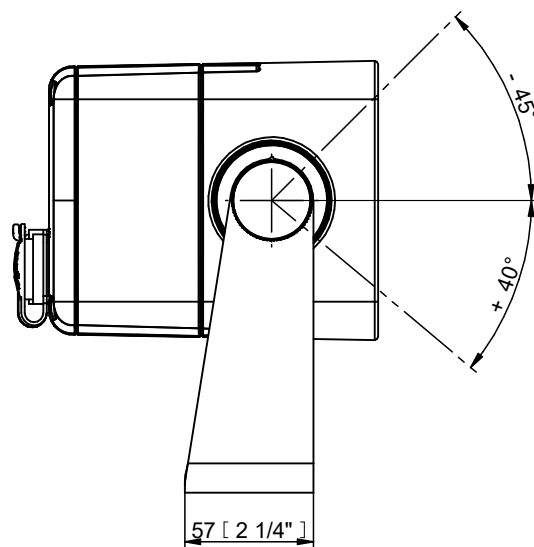
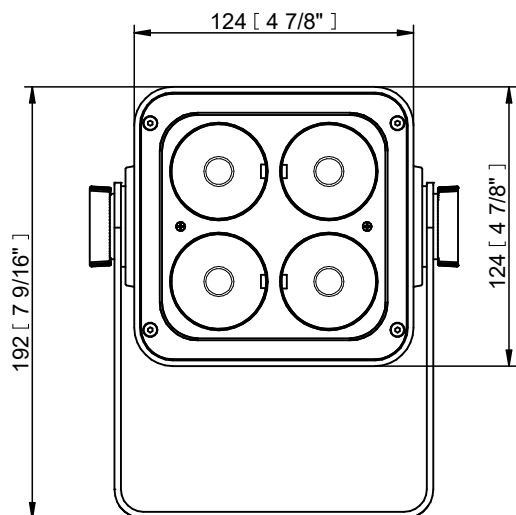


Warranty  
with  
Registration

**SPECIFICATION**

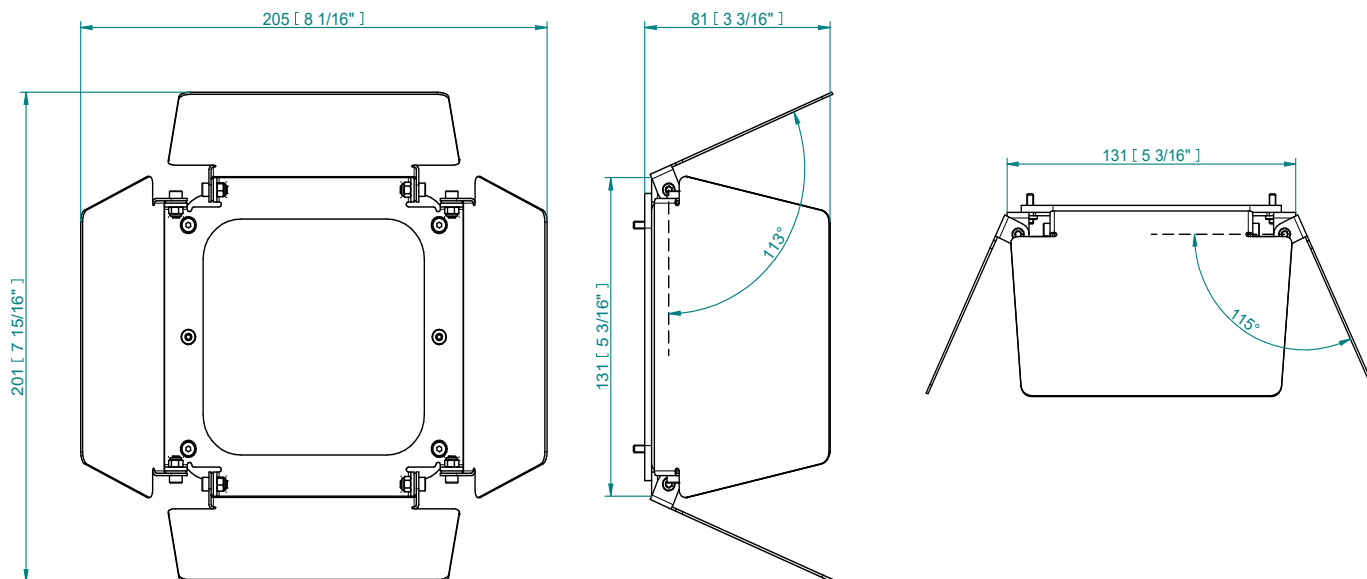
<b>ELECTRICAL &amp; CONNECTIONS</b>	Input Voltage	120–277 V AC 50/60 Hz		
	Typical Power Consumption	30 W +/-10 %		
	Power connector in/out	Neutrik powerCON TRUE1 in/out		
	DMX & RDM data in/out	Locking 5-pin XLR		
<b>OPTICAL</b>	Light Source	High Power Multichip LEDs		
	Colour Variants	RGBW (W - 6500 K)   RGBA		
	Beam Angle	12°		
	Lumen Output Delivered	1100 lm (@12° RGBW) <b>TBC</b>		
	Projected Lumen Maintenance	L90B10 >90.000 hrs, Ta = 25°C / 77°F		
<b>CONTROL</b>	Interface Protocol	DMX/RDM		
	Control System	Third Party DMX Controllers		
	Operating Modes	DMX, Stand-alone		
	Settings / Addressing	RDM communicator		
	Power Supply	Integrated		
<b>PHYSICAL</b>	Width x Height x Depth	164 x 192 x 162 mm (6.5 x 7.6 x 6.4 in.)		
	Weight	3 kg   6.6 lbs		
	Housing	High Pressure Die-Cast Aluminium Body		
		Tempered Glass		
	Finish Options	Standard Colour	Black RAL 9005	
		Cost Option	White Face	
			Custom RAL	
	Connections	DMX in/out:	panel connectors	
		POWER in:	panel connector	
	Mounting Method	Yoke, Hanging point (M10)		
	Adjustability	+40°/-45°		
	Protection Factor	IP65		
	IK Rating	IK10		
	Cooling System	Convection		
Operating Ambient Temperature	-20°C / +50°C (-4°F / +122°F)			
<b>CERTIFICATION</b>	Listings	ETL / cETL, CE, RoHS, UKCA		
<b>ACCESSORIES</b>	<b>Included Items</b>	Optical Foil (25°   35°   45°   75°)		
		Optical Foil Holder (indoor use only)		
		Optical Demo Set for Appoli S		
		Optical Foil Set for Outdoor Foil Holder Appoli S		
		Outdoor Foil Holder for Appoli S		
	<b>Not Included Items</b>	Top Hat for Appoli S		
		Half Top Hat for Appoli S		
		Floor Stand for Appoli S		
		Pole Adaptor (ø 102mm) (Yoke for Pole Adaptor Required)		
		Barndoors for Appoli S		

DIMENSIONS

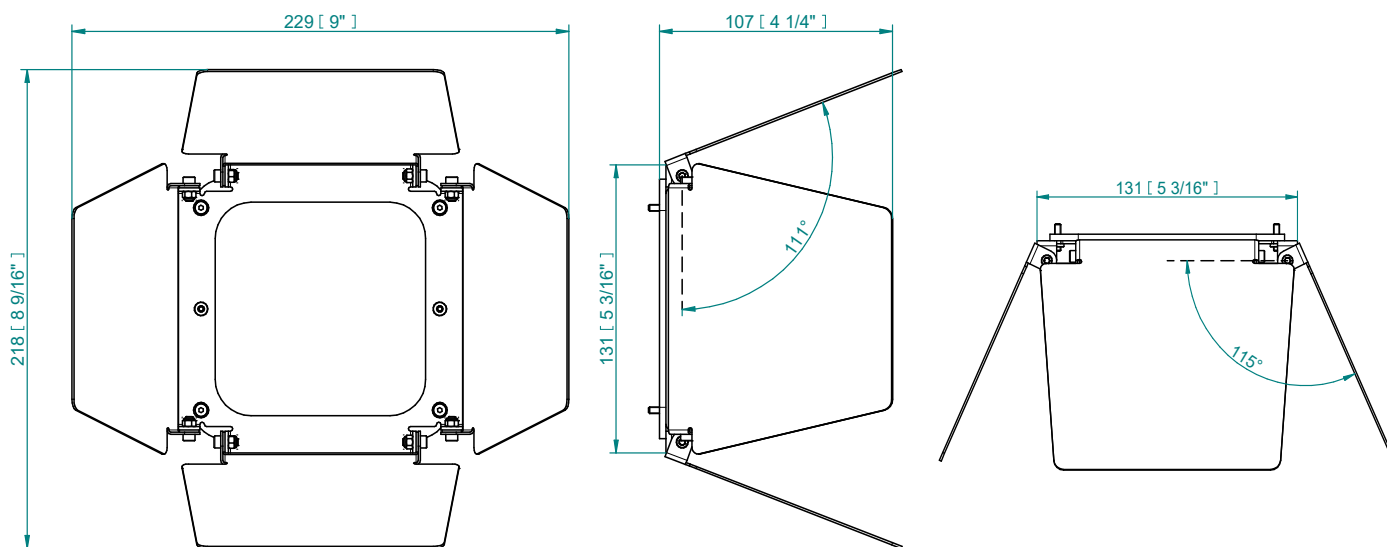


ACCESSORIES

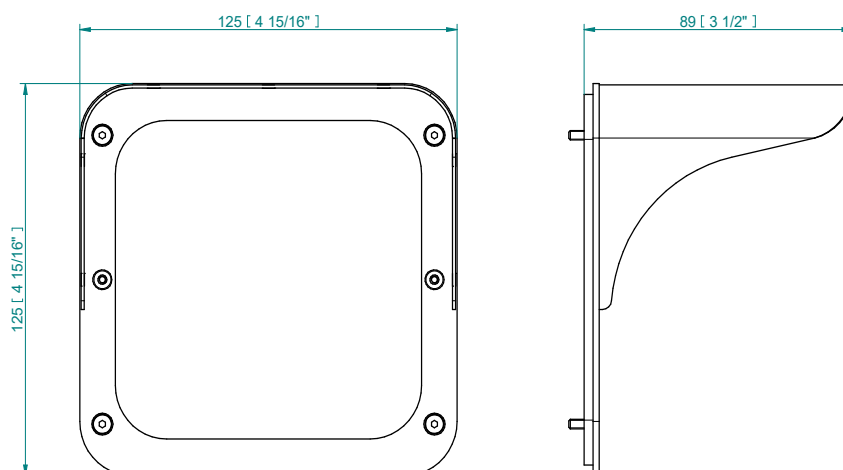
Barndoor Short for Appoli S



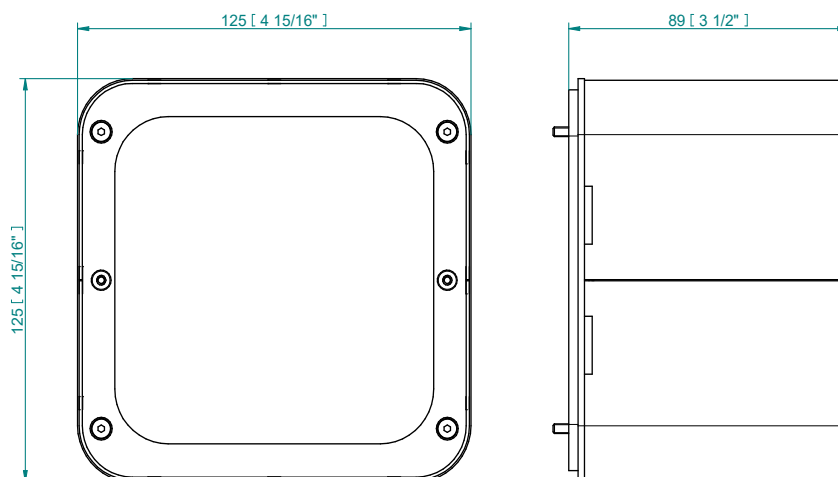
Barndoor Long for Appoli S



Half Top Hat for Appoli S



Top Hat for Appoli S



Outdoor Foil Holder for Appoli S

