

SYNODUS™ M

Architectural lighting sometimes brings specific requirements for fixture positioning which might be hard to comply with for 99% of the products on the market. With an extremely durable body, crafted from bronze to withstand the most challenging environmental conditions, Anolis Lighting introduces Synodus M. Utilising a standard LED colour set-up that can be customised to meet individual installation specifications, Synodus M can easily operate continuously submerged up to 10 m and offers more than 10 different beam options for positioning freedom.



KEY FEATURES

Lumen output & Light source

With only a 95 W power consumption, the Synodus M provides well-mixed luminous flux 2101 lm (RGBW, 9°, submersed) thanks to its six multichip LEDs.

Lifetime

Its 90,000 hrs (L90B10) LED lifetime makes it an ideal low working-cost solution for submersed applications.

Physical

The unique construction of this LED luminaire allows continuous submersion up to 10 m (32.81 ft.). Its IP68 and IK10 rated housing is made from marine bronze to resist the corrosive effects of unfriendly environments, and the lenses are protected by tempered glass.

COLOURS



RGBW



RGBA



Pure White

COLOUR TEMPERATURE



3.000 K

CONTROL & PROTOCOLS



E-BOX SYNODUS REMOTE

OPTIC OPTIONS

SYMMETRICAL



9°



15°



25°



30°



45°



65°



100°

BI-SYMMETRICAL



10°x30°



10°x60°



15°x45°



15°x90°



30°x60°



30°x90°



30°x10°



60°x10°



45°x15°



90°x15°



60°x30°



90°x30°

STANDARD & SPECIFICATION



IP68



IK10



CE



ETL US



ROHS



UK CA



5 YEAR

Warranty with Registration

FINISH OPTIONS

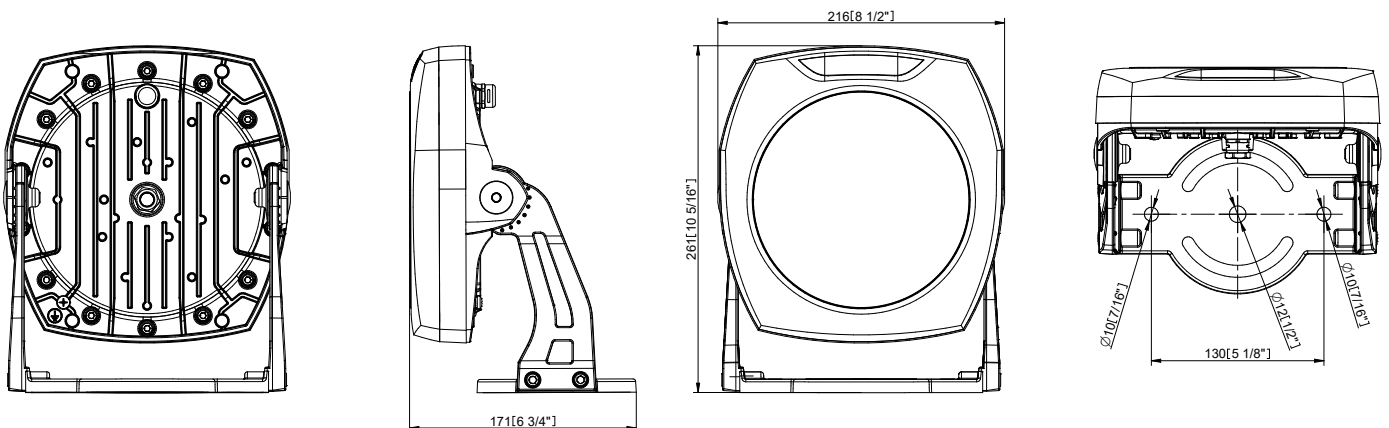


Marine Bronze

SPECIFICATION

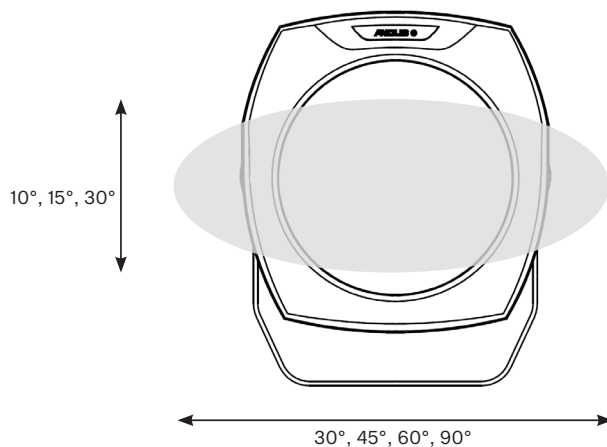
ELECTRICAL	Typical Power Consumption	Submersed: 75 W (high) 50 W (medium) 25 W (low)		
		Air: 42 W (28°C)		
	Max. Input Current	1000 mA (max. per channel)		
OPTICAL	Light Source	High Power Multichip LEDs		
	Colour Variants	RGBW (W - 6500 K) RGBA PW (W - 3000 K)		
	Beam Angle	Symetrical	9° 15° 25° 30° 45° 65° 100°	
		Bi-symetrical	10°x30° 30°x10° 10°x60° 60°x10° 15°x45° 45°x15° 15°x90° 90°x15° 30°x60° 60°x30° 30°x90° 90°x30°	
	Lumen Output Delivered	2316 lm (@9° RGBW, 1000 mA Submersed)		
Projected Lumen Maintenance	L90B10 >90.000 hrs, Ta = 25°C / 77°F			
CONTROL	Interface Protocol	Via E-Box Remote Synodus		
	E-box control protocol	USITT DMX512+RDM, ArtNet, MA Net, MA Net2, sACN, Kling-Net		
	Power Supply	Via E-Box Remote Synodus		
PHYSICAL	Width x Height x Depth	216 x 261 x 171 mm (8.5 x 10.28 x 6.73 in.)		
	Weight	7.42 kg / 16.36 lbs		
	Housing	Marine Bronze Tempered Glass		
	Cables / Connections	Cable Submersible SJTOW 4x16 AWG (13053831)		
	Mounting Method	Yoke, Floor Stand (optional) Wallmount Installation Sleeve (Optional)		
	Adjustability	+35°/ -90°		
	Protection Factor	IP68 10m rating (CE) Maximum depth of 10 m (US)		
	IK Rating	IK10		
	Cooling System	Convection		
	Operating Ambient Temperature	-+1°C / +45°C (+34°F / +113°F)		
	Operating Temperature	+55°C @ Ambient +45°C (+131°F @ Ambient +113°F)		
	CERTIFICATION	Listings	ETL / cETL, CE, RoHS, UKCA	
	ACCESSORIES	Not Included Items		
		E-Box Remote Synodus		
		Floor Stand for Synodus		
	Wallmount Installation Sleeve			

DIMENSIONS

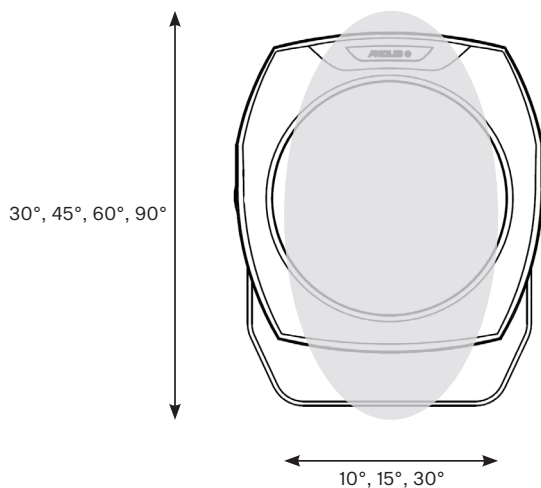


BI-SYMMETRICAL BEAM ANGLES

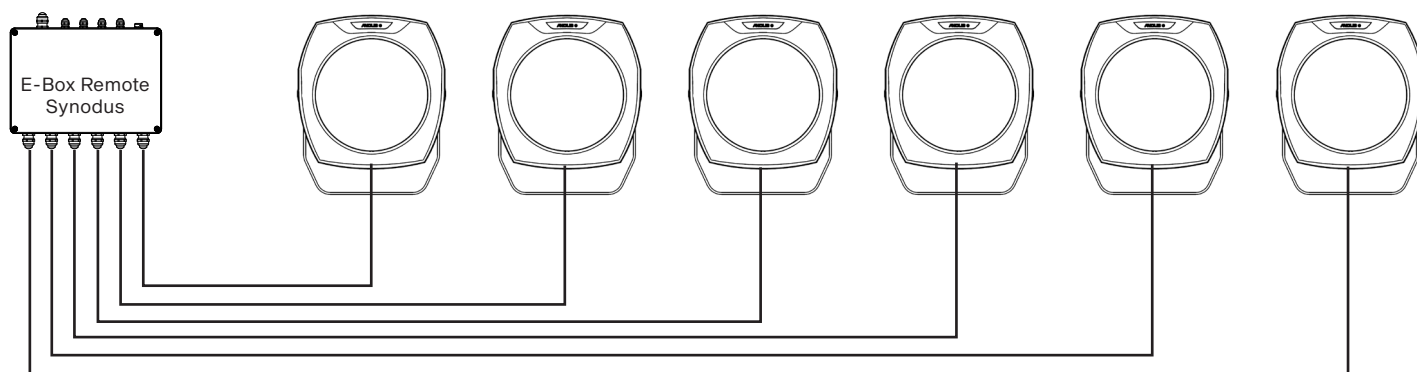
Bi-symmetrical: 10°x30°, 10°x60°, 15°x45°, 15°x90°, 30°x60°, 30°x90°



Bi-symmetrical: 30°x10°, 60°x10°, 45°x15°, 90°x15°, 60°x30°, 90°x30°



CONNECTION



Cable Submersible SJTOW 4x16 AWG (I3053831), bare-end, factory fitted