

# EMINERE® 1 / 2 / 3 / 4 MC

Eminere was designed by Anolis for a wide range of exterior and interior applications with a variety of lens options that can be used for flood lighting, wall grazing and accent lighting. Equipped with Anolis' colour mixing resolution ensures extra fine colour tuning as well as smooth dimming at low level of intensity. Designed in our state of the art R&D facility by industry experts, Eminere is IP67 rated and can withstand extreme conditions. Eminere is available in 1, 2, 3, and 4 foot sizes (300/600/900/1200 mm) with RGBW, RGBA or PureWhite multi-chips as standard and is easy to control, 1 pixel per foot. Eminere fixtures can be used for both permanent and temporary installations, including various architectural and archtainment applications.



## KEY FEATURES

### Application Flexibility

Eminere's optics can be used for various applications including wall grazing, flood lighting, wide flood lighting, spot lighting and accent lighting.

### Quick and Easy Installation

Plug & Play system means easy installation, fast adjustment and intuitive programming with self-addressing.

### Naturally looking result

Full spectrum coverage by using RGBW colour mixing with precise wave lengths of each colour for modern architecture or specifically designed combination of RGBA to highlight every single detail of historical buildings or monuments.

### Durability

Eminere is rated IP67, suitable for wet locations and has a protection rating of IK06. Marine grade finish option also available for harsh environmental conditions (on request).

## COLOURS

\* UPON REQUEST



RGBW  
(6500 K)



RGBA



RGLB



PW  
(3000 K)



TW  
(3000-6500 K) \*

## CONTROL & PROTOCOLS



OPTIONAL



OPTIONAL



OPTIONAL

## FINISH OPTIONS

\* CLOSEST RAL TONE  
\* HE = Harsh Environment



Graphite Black  
RAL 9011\*



Grey Aluminium  
RAL 9007



Sandstone  
RAL 1014\*



Pure White  
RAL 9010



HE  
Graphite Black  
RAL 9011\*



HE  
Grey Aluminium  
RAL 9007



HE  
Sandstone  
RAL 1014\*



HE  
Pure White  
RAL 9010



RAL  
Custom  
Paint Colour

## OPTIC OPTIONS

### SYMMETRICAL



12°



15°



25°



30°



45°



65°



100°

### BI-SYMMETRICAL



10°x30°



10°x60°



15°x45°



15°x90°



35°x60°



30°x90°

### ASYMMETRICAL



Wallwasher

## STANDARD & SPECIFICATION



IP67



IK06



CE



ETL US



ROHS



UK  
CA



5  
YEAR

Warranty  
with  
Registration

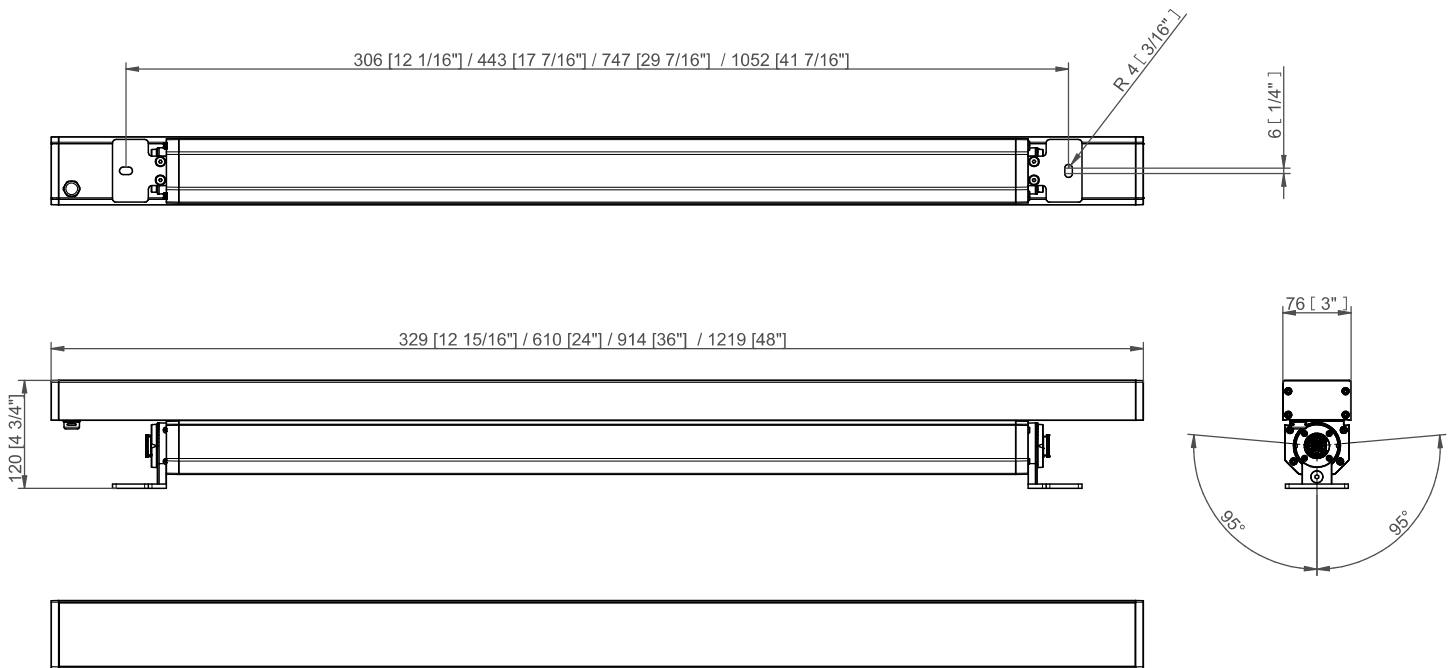


Vibration  
Standard  
for Bridge

**SPECIFICATION**

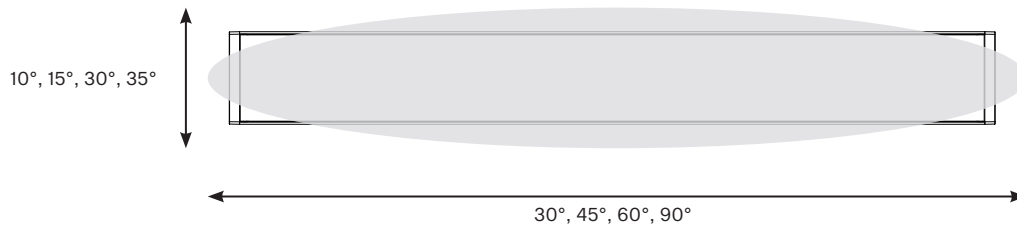
<b>ELECTRICAL</b>	Input Voltage	120–277 V AC 50/60 Hz			
	Typical Power Consumption	<b>Eminere MC 1 / 2 / 3 / 4</b> : 25 W / 45 W / 65 W / 85 W			
<b>OPTICAL</b>	Light Source	<b>Eminere MC 1 / 2 / 3 / 4</b> : 4, 8, 12, 16 x High Power Multi Chip LEDs			
	Colour Variants	RGBW (W - 6500 K)   RGBA   RGBL   Pure White (W - 3000 K)			
		<b>On Request:</b> Tuneable White (3000–6500 K)			
	Beam Angle	Symmetrical	12°   15°   25°   30°   45°   65°   100°		
		Bi-symmetrical	10°x30°   10°x60°   15°x45°   15°x90°   35°x60°   30°x90°		
		Asymmetrical	Wallwasher		
Lumen Output Delivered	<b>Eminere MC 1</b> : 938 lm, (12°, @RGBCW)	<b>Eminere MC 3</b> : 2814 lm, (12°, @RGBCW)			
	<b>Eminere MC 2</b> : 1876 lm, (12°, @RGBCW)	<b>Eminere MC 4</b> : 3752 lm, (12°, @RGBCW)			
Projected Lumen Maintenance	L90B10 > 90.000 hrs, Ta = 25°C / 77°F				
<b>CONTROL</b>	Interface Protocol	Via E-Box range or Wireless DMX (excluding Eminere 1 MC)   DALI 2 (CE only)			
	E-Box Control Protocols	USITT DMX512, RDM, ArtNet, MA Net, MA Net2, sACN, Kling-Net			
	Wireless DMX (Option)	Lumen Radio CRMX Technology			
	Setting / Addressing	Via Two Row LCD Display with Control Buttons or RDM communicator			
	Power Supply	Integrated			
<b>PHYSICAL</b>	Width x Height x Length	<b>Eminere MC 1 / 2 / 3 / 4</b>	76 x 120 x 329 / 610 / 914 / 1219 mm 2.99 x 4.72 x 13 / 24 / 36 / 48 in.		
		Weight	2.7 kg   6 lbs	4.2 kg   9.3 lbs	6.22 kg   13.7 lbs
	Housing	High Pressure Extruded Aluminium Body   End Caps - Die-Cast Aluminium   Tempered Glass			
	Finish Options	Standard Colour	Graphite Black RAL 9011   Grey Aluminium RAL 9007 Pure White RAL 9010   Sandstone RAL 1014		
		Standard Colour Harsh Environment	Graphite Black RAL 9011   Grey Aluminium RAL 9007 Pure White RAL 9010   Sandstone RAL 1014		
		Cost Option	Custom RAL		
	Cables / Connections	IP67 Hybrid Connection (Power + Data)			
	Mounting Method	Surface Mount With Different Type of Brackets			
	Adjustability	+/- 95°			
	Protection Factor	IP67 / Suitable For Wet Locations			
	IK Rating	IK06			
	Cooling System	Convection			
	Operating Ambient Temperature	-20°C / +40°C (-4°F / +104°F)			
Operating Temperature	+67°C @ Ambient +40°C (+153°F @ Ambient +104°F)				
<b>CERTIFICATION</b>	Listings	ETL / cETL, CE, RoHS, UKCA			
<b>ACCESSORIES</b>	<b>Not Included Items</b>				
	Mounting Brackets	Mounting Brackets 50   100   200   300 mm   custom length			
		C-Clamp Adaptors for Eminere MC			
	Cable Covers	Cable Cover For Eminere MC 1   2   3   4			
	Shields	Shield (with or without side Covers) For Eminere MC 1   2   3   4			
	Optical Demo Set	Optical Demo Set For Eminere MC 1   2   3   4			
	Cables and Connectors	Field Installable Connector FF	Field Installable Connector FM		
		Cable CE WCA	Cable US WCA		
		Waterproof Cover Cap FM ZAHB-0006			
		CE/UL Leader Cables FF for Eminere - 2   5   10   25   50 m			
	CE/UL Jumper Cables FF/FM for Eminere - 0.25   0.5   1   2   3   5   10 m				
Junction Box for Calumma S / Eminere					
Booster Box	Booster Box				

**DIMENSIONS**



**BI-SYMMETRICAL BEAM ANGLES**

Bi-symmetrical: 10°x30°, 10°x60°, 15°x45°, 15°x90°, 35°x60°, 30°x90°



## E-BOX SPECIFICATION

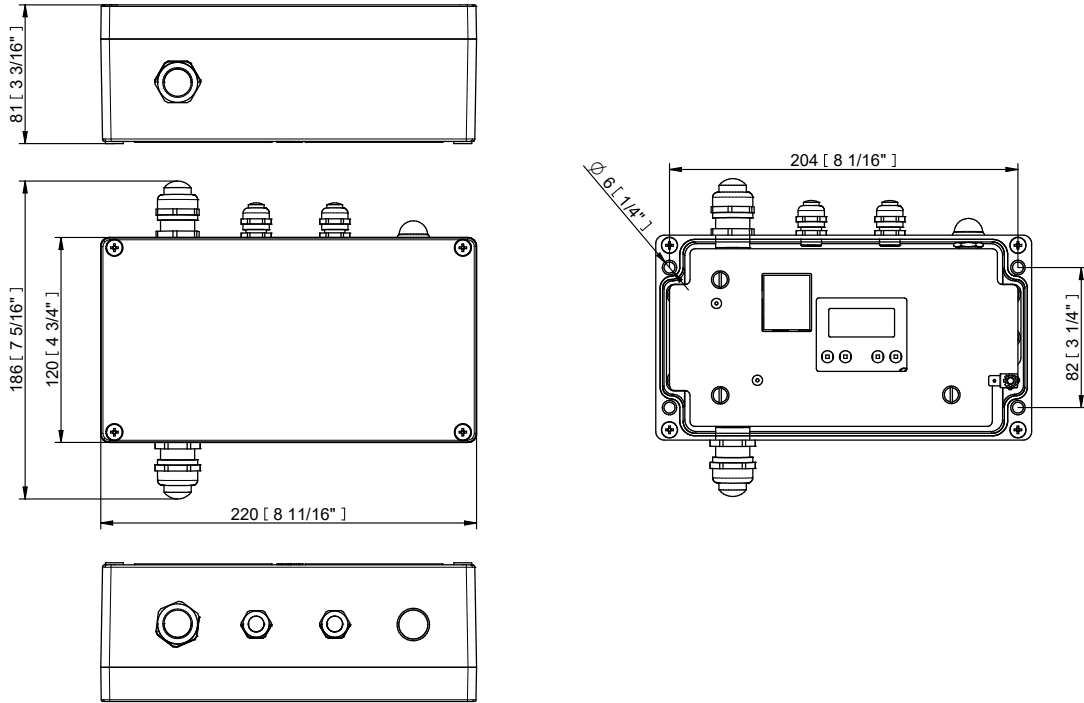
<b>ELECTRICAL</b>	Input Voltage	120 – 277 V AC 50/60 Hz		
	Wireless DMX (Option)	Lumen Radio CRMX Technology		
	Interface Protocol	<b>E-box Lite:</b> USITT DMX512, RDM		
		<b>E-box Daisy / Star:</b> USITT DMX512, RDM, ArtNet, MA Net, MA Net2, sACN, Kling-Net		
Operating Modes	<b>E-box Lite / Daisy:</b> Fixture Mode, Pixel Mode, Output Mode			
	<b>E-Box Star:</b> Total Mode, Fixture Mode, Pixel Mode, Output Mode			
<b>CONTROL</b>	Display	Via Two Row LCD Display with Control Buttons or RDM communicator		
	Control System	E-box With Self Addressing Feature or Custom Setting Via LCD Display/RDM		
	Power Supply	Integrated		
	Connectivity	<b>E-box Lite</b>	127 of Eminere 1 (@ 230 V and 30m cable) via 1 Output	
		<b>E-box Daisy</b>	127 of Eminere 1 (@ 230 V and 30m cable) via 1 Output	
		<b>E-box Star</b>	127 of Eminere 1 (@ 230 V and 30m cable) via 6 Outputs	
	Length x Width x Height	<b>E-box Lite</b>	220 x 120 x 81 mm (8.66 x 4.72 x 3.18 in.)	
		<b>E-box Daisy</b>	260 x 160 x 91 mm (10.24 x 6.30 x 3.58 in.)	
		<b>E-box Star</b>	280 x 230 x 111 mm (11.02 x 9.06 x 4.37 in.)	
	Weight	1.67 kg   3.85 lbs	2.78 kg   6.13 lbs	4.4 kg   9.7 lbs
Housing	Die-Cast Aluminium Case			
Finish Options	Standard Colour - Graphite Black (RAL 9011)   Silver (RAL 9006)			
	Cost Option - Custom RAL   Harsh Environment (RAL 9016, RAL 9011)			
Cables / Connections	Cable Grommet (stainless steel)			
Mounting Method	Surface Mount , 4 Mounting Holes			
Protection Factor	IP67 / Suitable For Wet Locations			
IK Rating	IK10			
Cooling System	Convection			
Operating Ambient Temperature	-20 °C / +40 °C (-4 °F / +104 °F)			
<b>CERTIFICATION</b>	Listings	ETL / cETL, CE, RoHS, UKCA		

## COMPARISON

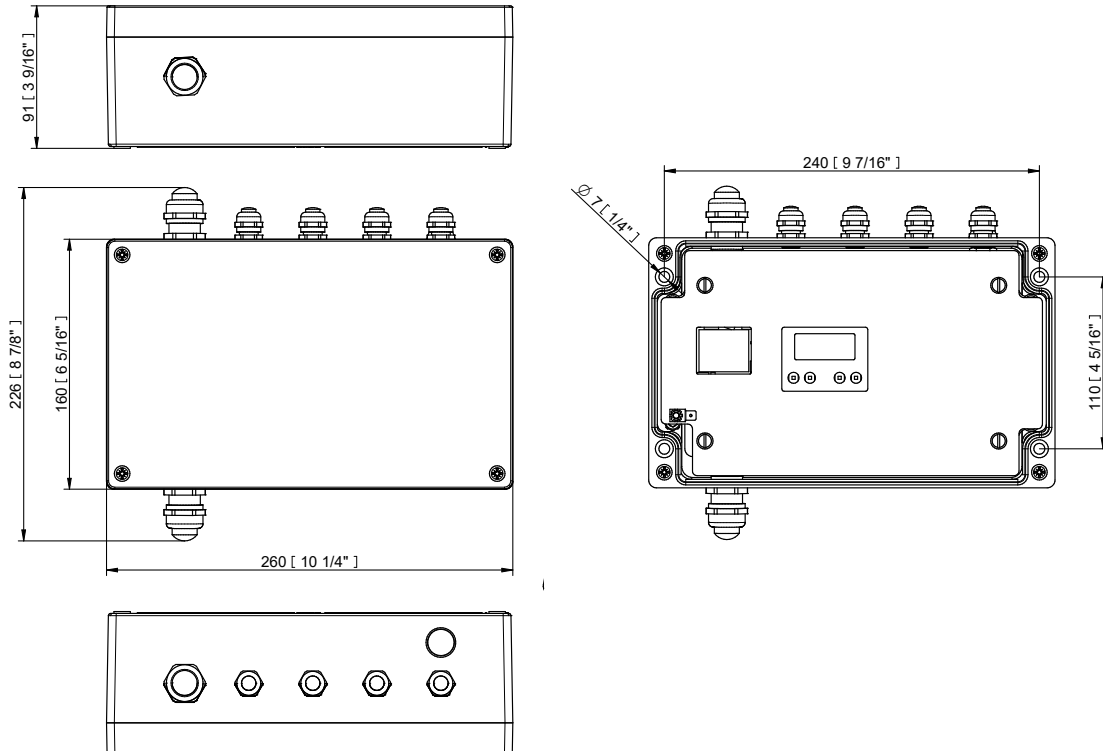
	E-BOX LITE	E-BOX DAISY	E-BOX STAR
<b>Power input</b>	1	1	1
<b>Fixture Output</b>	1	1	6
<b>Total load (current)</b>	16A	16A	16A
<b>DMX control</b>	YES	YES	YES
<b>RDM</b>	YES	YES	YES
<b>Art-Net</b>	NO	YES	YES
<b>Ethernet switch</b>	NO	YES	YES
<b>Kling-Net</b>	NO	YES	YES
<b>sACN</b>	NO	YES	YES
<b>MA Net, MA Net2</b>	NO	YES	YES

E-BOX DIMENSIONS

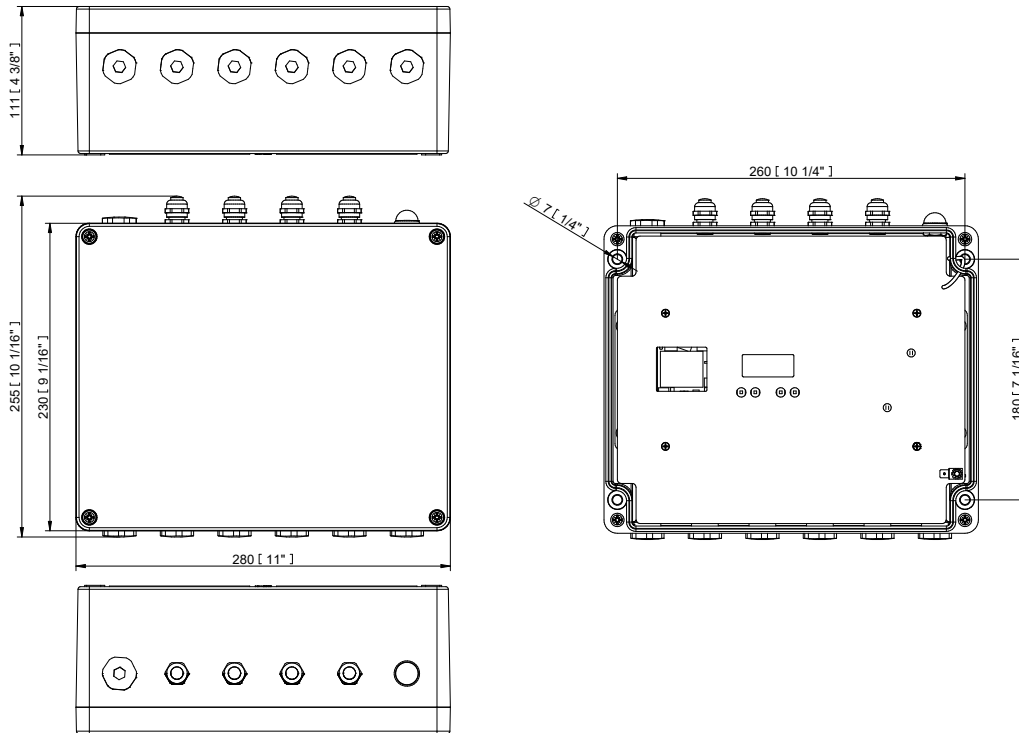
E-BOX LITE



E-BOX DAISY



E-BOX STAR

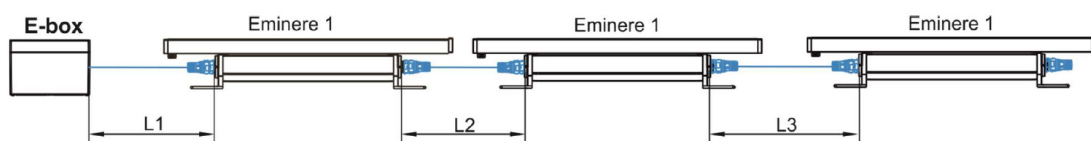


CONNECTIVITY

The tables below state max. theoretical number of Emineres MC connected to the one LED output of the E-box without Booster boxes.

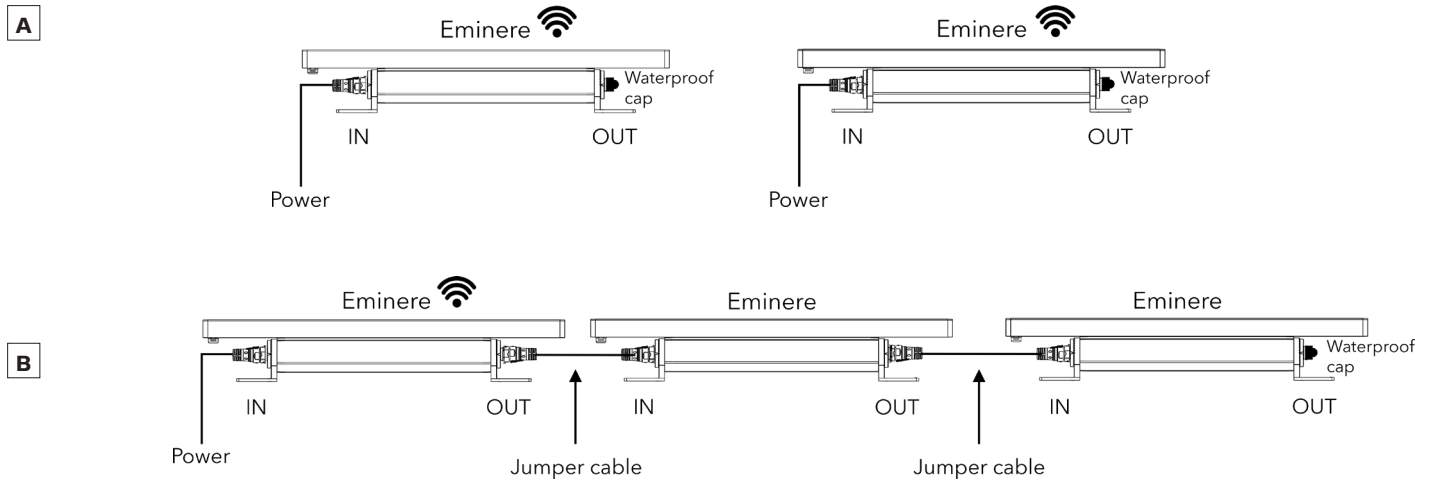
	Cable length (m)	Voltage (V)			
		120	190	230	277
EMINERE MC 1	10	66	104	127	152
	20	66	104	127	152
	30	46	104	127	152
	50	28	70	102	148
	70	20	50	73	106
	100	13	35	51	74
	200	7	17	25	37
EMINERE MC 2	10	36	56	69	83
	20	36	56	69	83
	30	24	56	69	83
	50	15	38	56	80
	70	10	27	40	57
	100	9	18	28	40
	200	3	9	16	20

	Cable length (m)	Voltage (V)			
		120	190	230	277
EMINERE MC 3	10	25	40	48	59
	20	25	40	48	59
	30	17	40	48	59
	50	11	26	39	57
	70	7	19	28	40
	100	5	13	19	28
	200	2	6	10	14
EMINERE MC 4	10	19	31	37	45
	20	19	31	37	45
	30	14	31	37	45
	50	8	20	30	44
	70	5	15	21	35
	100	3	10	15	21
	200	1	4	7	11

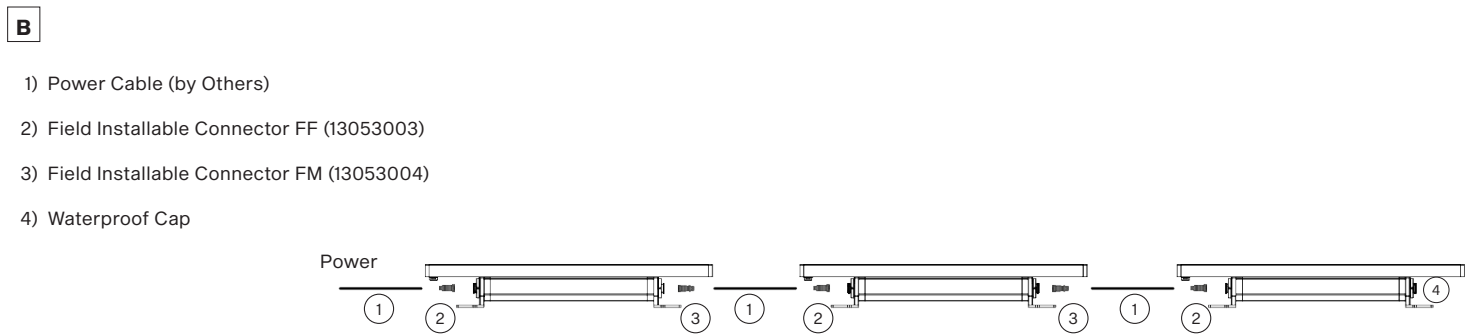
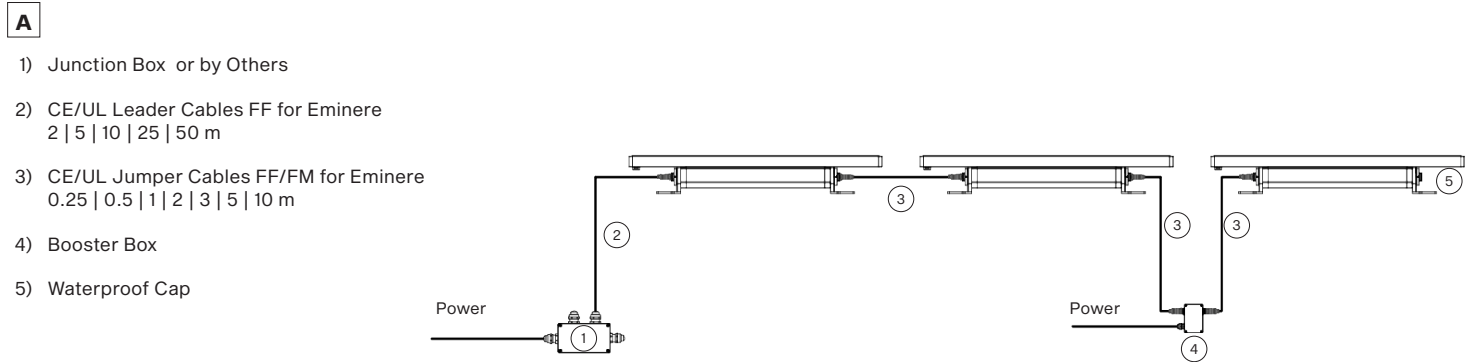


**Note:** Cable length is a total cable length between E-box and last connected Eminere. Example: Total cable length=L1+L2+L3.  
For more information see User Manual.

**CONNECTION - WIRELESS VERSION**

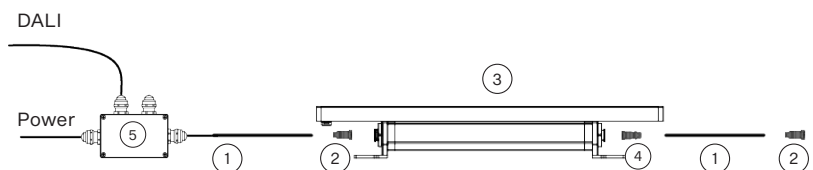


**CONNECTION - ON / OFF VERSION**



**CONNECTION - DALI VERSION (CE)**

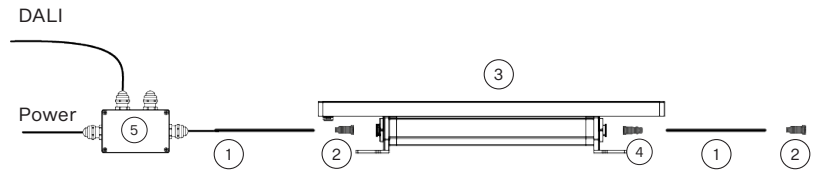
- 1) Hybrid Cable (13053693) Standard with bare-end
- 2) Field Installable Connector FF DC-05 (13053971)
- 3) Eminere DALI with Panel Connector MM (13053975) & Panel Connector MF (13053974)
- 4) Field Installable Connector FM DC-05 (13053973)
- 5) Junction Box



**Note: The last unplugged connector must be fitted with a Waterproof Cap to protect the IP rating.**

**CONNECTION - DALI VERSION (US)**

- 1) SJTW 5x14 AWG (13053693), Standard with bare-end, black or on request Cable SJTW 5x14 AWG (13053697), with bare-end, white
- 2) Field Installable Connector FF DC-05 (13053971)
- 3) Eminere DALI with Panel Connector MM (13053975) & Panel Connector MF (13053974)
- 4) Field Installable Connector FM DC-05 (13053973)
- 5) Junction Box

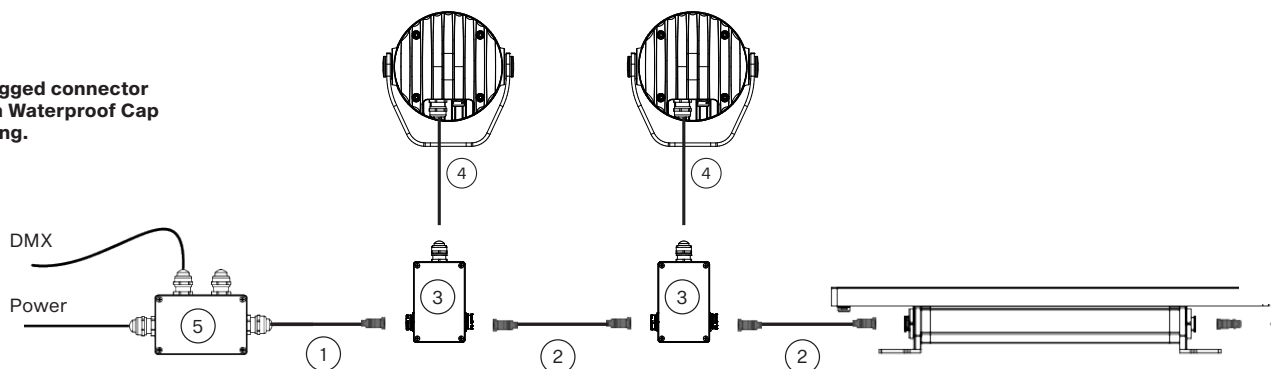


**Note: The last unplugged connector must be fitted with a Waterproof Cap to protect the IP rating.**

**DMX WITH JUNCTION BOX FOR CALUMMA S / EMINERE (CE)**

- 1) Leader Cables FF for Eminere - 2 | 5 | 10 | 25 | 50 m
- 2) Jumper Cables FF/FM for Eminere - 0.25 | 0.5 | 1 | 2 | 3 | 5 | 10 m
- 3) Junction Box for Calumma S / Eminere (10981268 for RAL9011)
- 4) Flamar 3x16 AWG + 1x(2x24 AWG) - (13051508), Standard 1 m with bare-end, black or Hybrid Cable HYB-5731ZH LSZH (13053694), Hybrid Cable, white
- 5) Junction Box

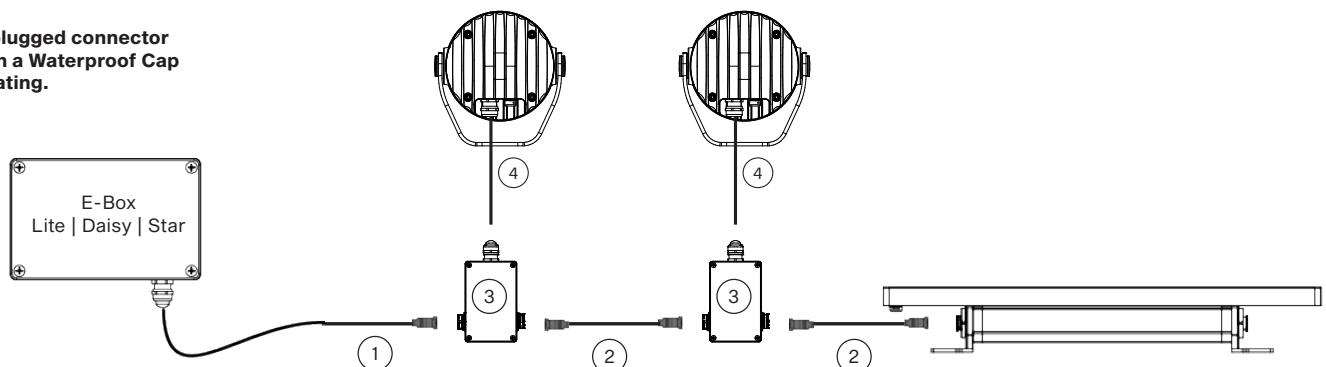
**Note: The last unplugged connector must be fitted with a Waterproof Cap to protect the IP rating.**



**DMX WITH JUNCTION BOX FOR CALUMMA S / EMINERE (US)**

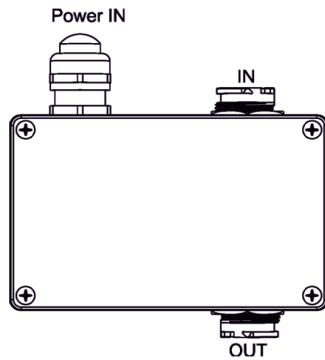
- 1) Leader Cables FF for Eminere - 2 | 5 | 10 | 25 | 50 m
- 2) Jumper Cables FF/FM for Eminere - 0.25 | 0.5 | 1 | 2 | 3 | 5 | 10 m
- 3) Junction Box for Calumma S / Eminere (10981269 for RAL9011)
- 4) SJTW 6x14 AWG (13053480) Standard 1 m with bare-end, black or Cable SJTW 6x14 AWG (13053695), white

**Note: The last unplugged connector must be fitted with a Waterproof Cap to protect the IP rating.**

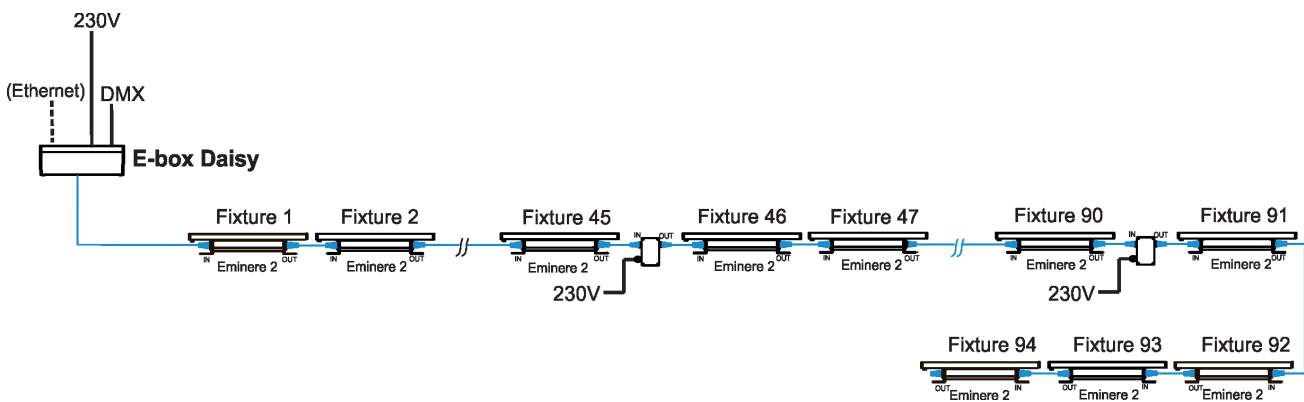


**THE BOOSTER BOX**

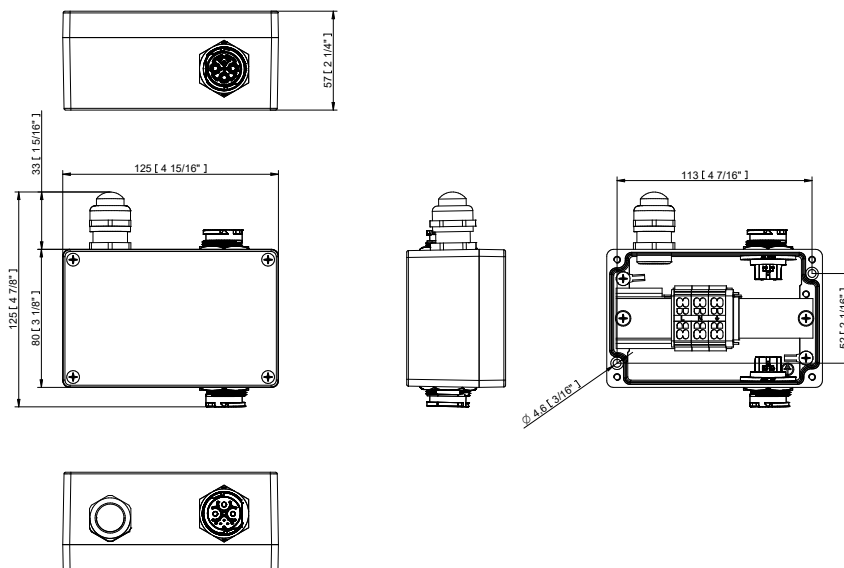
To compensate a voltage drop in a large installation, the Booster boxes have to be connected in the chain of Eminere modules.



Example: E-box Daisy, Power supply= 230V, Cable length=70m, fixture=Eminere 2.  
The Booster box has to be connected after every 45th Eminere 2 (fixture 45 and fixture 90) from 94 fixtures.

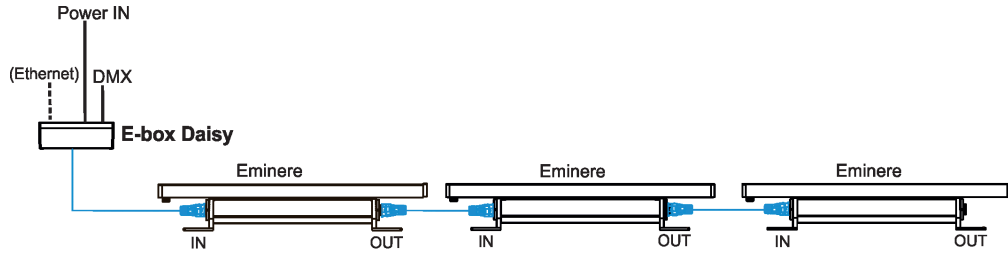


**DIMENSIONS OF BOOSTER BOX**

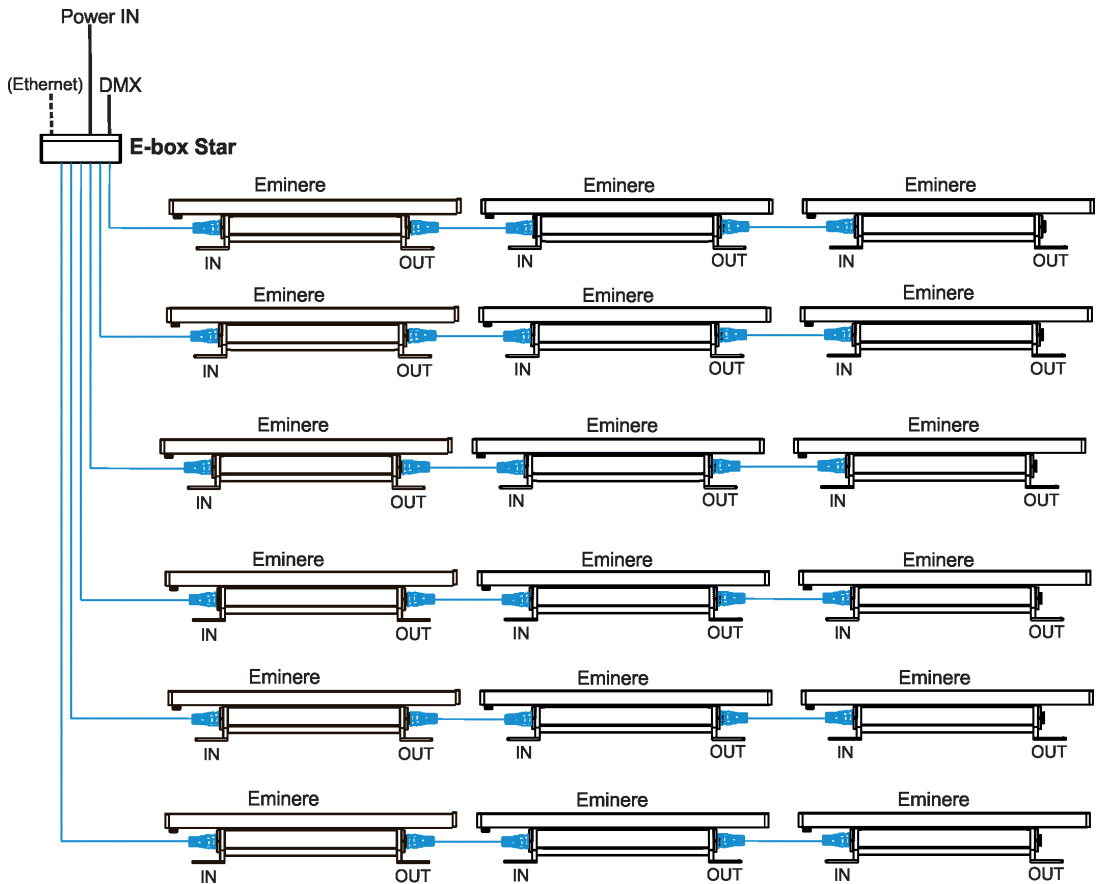


CONNECTION

E-BOX LITE / DAISY



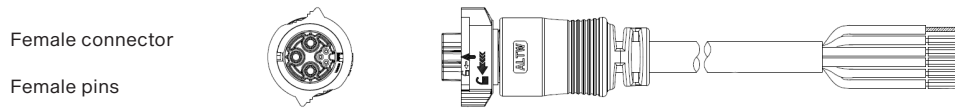
E-BOX STAR



**CABLES**

**Leader Cable**

For connecting E-Box with first Eminere. Comes with Waterproof End Cap which has to be installed to the last Eminere's output connector.



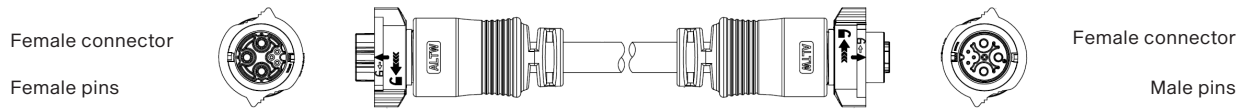
Female connector

Female pins

**Jumper Cable**

For connection between two Emineres.

NOTE: Custom length of Jumper cable depends on the distance between two Eminere luminaires (length includes cable and connectors).



Female connector

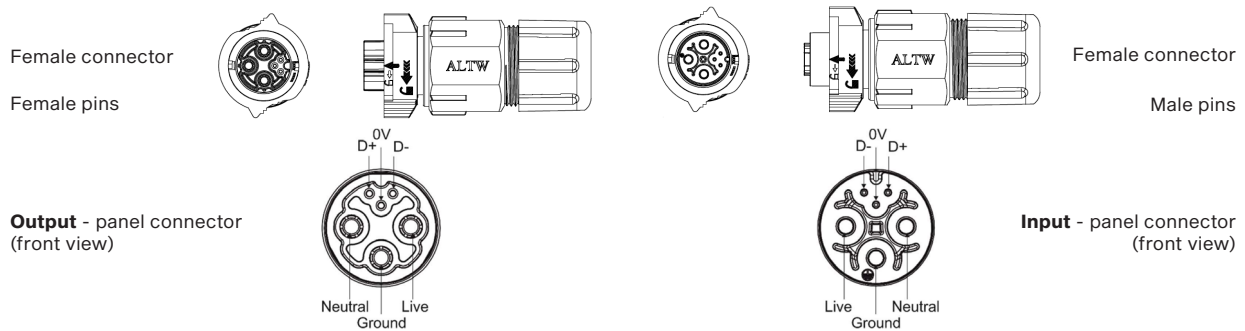
Female pins

Female connector

Male pins

**Field installable connector**

For special cases, where Jumper Cable can't be used. Then use Leader Cable with Field installable connector to make a connection between Emineres.



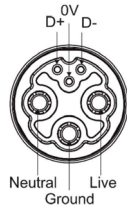
Female connector

Female pins

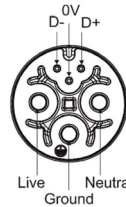
Female connector

Male pins

**Output** - panel connector  
(front view)

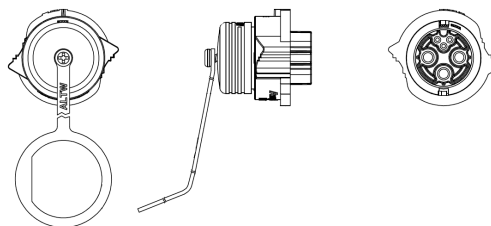


**Input** - panel connector  
(front view)



**Waterproof End Cap**

Install at the end of line to the last Emineres output connector.



**Cable lengths available**

IN METRES	LEADER CABLE	JUMPER CABLE
0,25	-	YES
0,5	-	YES
1	-	YES
2	YES	YES
3	-	YES

IN METRES	LEADER CABLE	JUMPER CABLE
5	YES	YES
10	YES	YES
25	YES	-
50	YES	-
<b>Other lengths</b>	On Request	

**BOOSTER BOX POSITIONS**

	Cable length (m)	Max. number of Emineres 1 = 191 (in Standard mode)			
		120 V	190 V	230 V	277 V
EMINERE 1	10 m	66,132	104	127	-
	20 m	66,132	104	127	-
	30 m	46,92,138	104	127	-
	50 m	28,56,84,112,140	70,140	102	148
	70 m	20,40,60,80,100,120,140	50,100,150	73,146	106
	100 m	13,26,39,52,65,78,91,104,117,130,143	35,70,105,140	51,102	74,148
	200 m	7,14,21,28,35,42,49,56,63,70,77,84,91,98,105,112,119,126,133,140,147	17,34,51,68,85,102,119,136	25,50,75,100,125,150	37,74,111,148

**NOTE:** For more detail see the User manual.

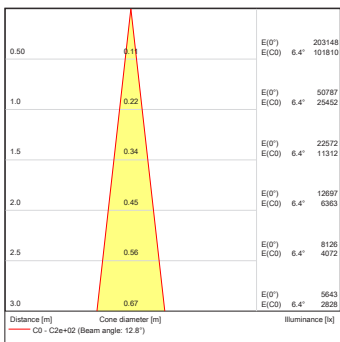
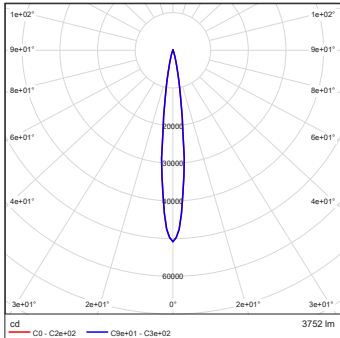
**PHOTOMETRIC OVERVIEW**

Based on RGBCW version, all leds @ full

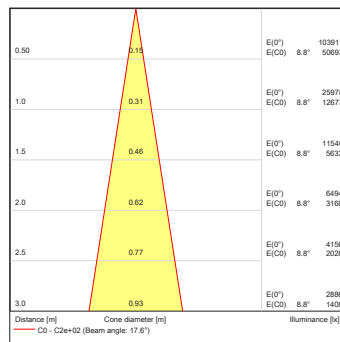
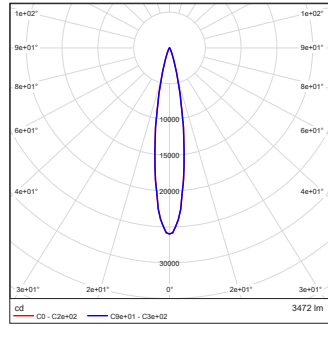
	Lumen Output (lm)			
	EMINERE MC 1	EMINERE MC 2	EMINERE MC 3	EMINERE MC 4
12°	938	1876	2814	3752
15°	868	1736	2604	3472
25°	870	1739	2609	3478
35°	871	1741	2612	3482
45°	865	1729	2594	3458
65°	996	1728	2592	3456
100°	837	1673	2510	3346
10° x 30°	871	1741	2612	3482
10° x 60°	853	1705	2558	3410
15° x 45°	876	1752	2628	3504
15° x 90°	864	1727	2591	3454
30° x 90°	846	1691	2537	3382
35° x 60°	860	1719	2579	3438

PHOTOMETRIC DATA

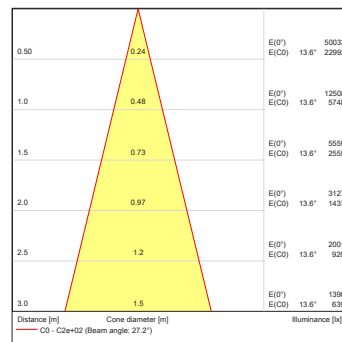
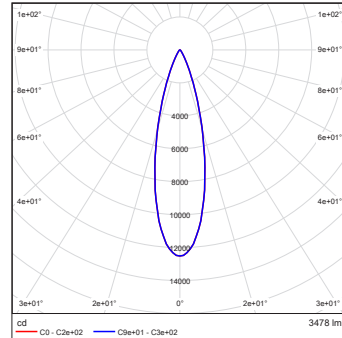
Eminere MC 4 RGBCW 12dg



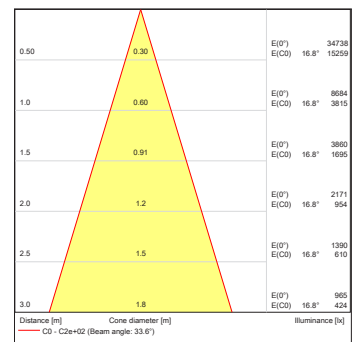
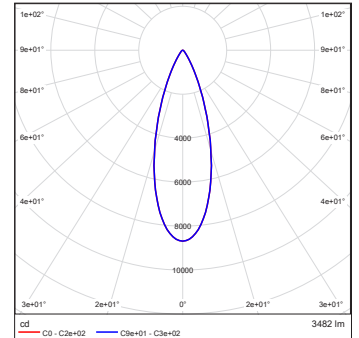
Eminere MC 4 RGBCW 15dg



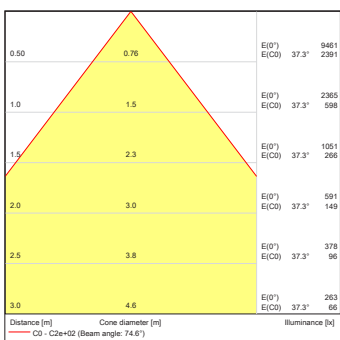
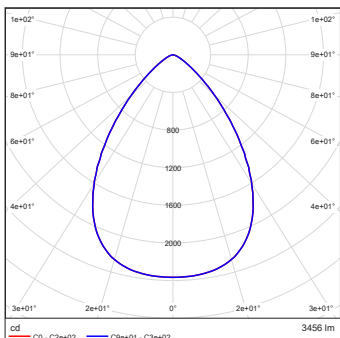
Eminere MC 4 RGBCW 25dg



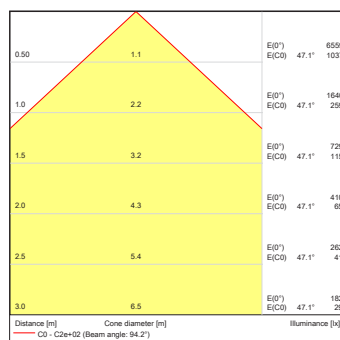
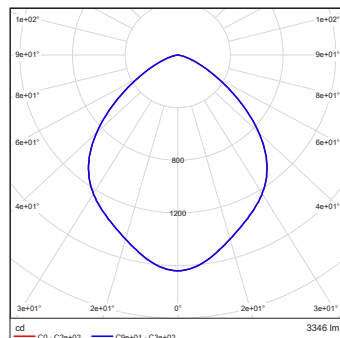
Eminere MC 4 RGBCW 35dg



Eminere MC 4 RGBCW 65dg

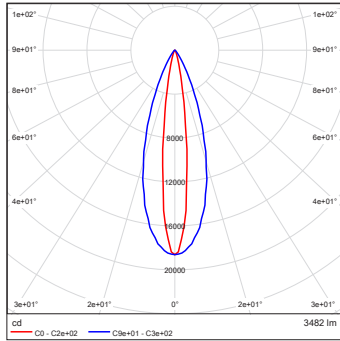


Eminere MC 4 RGBCW 100dg

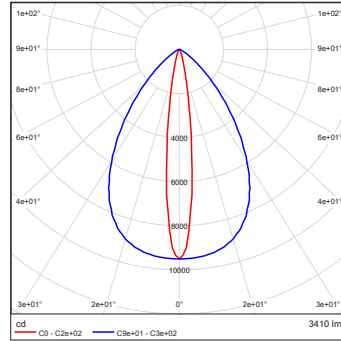


PHOTOMETRIC DATA

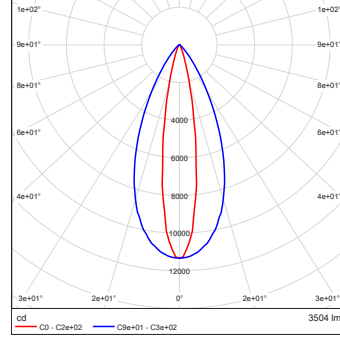
Eminere MC 4 RGBCW  
10dg x 30dg



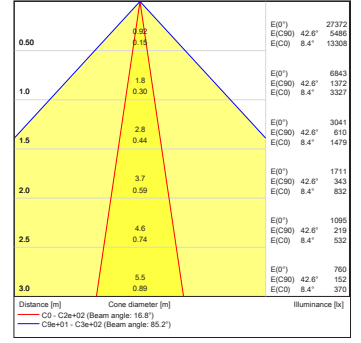
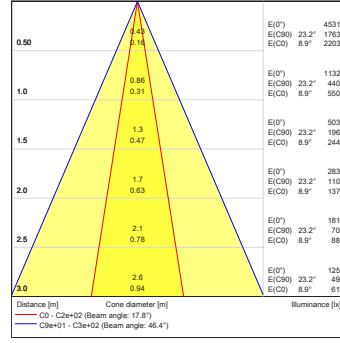
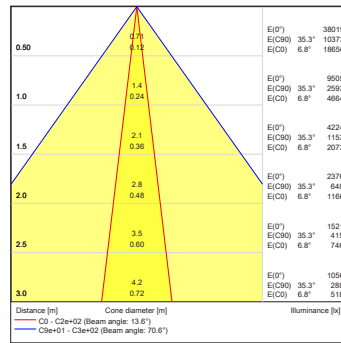
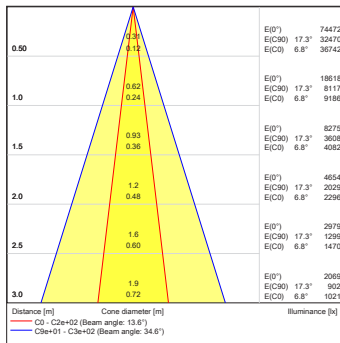
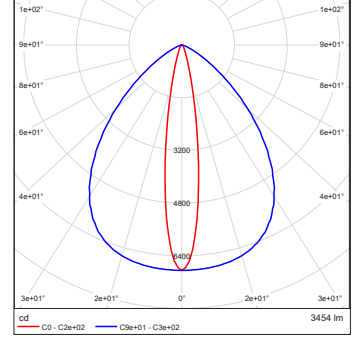
Eminere MC 4 RGBCW  
10dg x 60dg



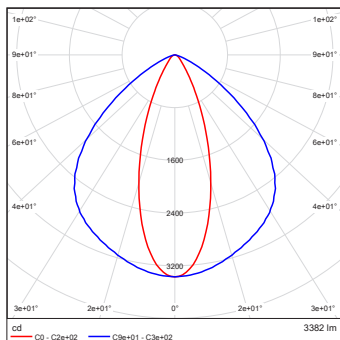
Eminere MC 4 RGBCW  
15dg x 45dg



Eminere MC 4 RGBCW  
15dg x 90dg



Eminere MC 4 RGBCW  
30dg x 90dg



Eminere MC 4 RGBCW  
35dg x 60dg

