

CALUMMA™ XS MC

Using a single high-power, multi-chip LED inside a compact, elegant, and durable housing, the smallest Calumma is a great choice for many different lighting applications. Complementing both outdoor environments and interior designs, its wide range of beam angles, LED chip colour variant options and accessories make the Calumma XS MC an ideal, extra small lighting solution for any architectural design.



KEY FEATURES

Lumen output & Light source

Luminaire with one high-power, multi-chip LED provides light output up to 333 lumens with an efficacy of 33 lm/w. Offering a choice of multiple LED colour variants, precise beam control with no light spill, and perfectly homogenised light output, it's an excellent solution for applications requiring high performance in a compact luminaire.

Design & Durability

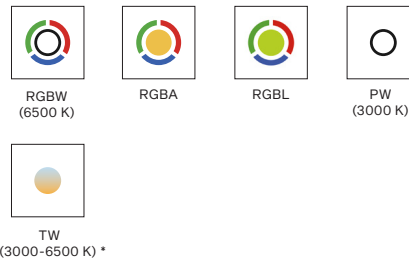
Lightweight, compact, durable and stylish housing made of high-pressure die cast aluminium. IP67 and IK10 certification; suitable for marine applications (Harsh Environment Finish required) and traffic applications. Supported with a 5 year warranty.

Flexibility

An exceptionally compact luminaire available with a wide range of accessories, custom colour finishes, LED choices, and beam angle options, Calumma XS offers the lighting designer a flexible solution for the most demanding applications.

COLOURS

* UPON REQUEST



CONTROL & PROTOCOLS



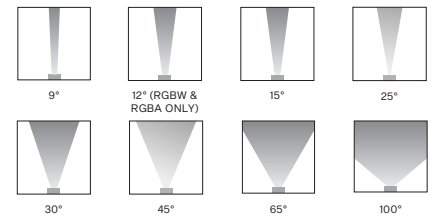
FINISH OPTIONS

* CLOSEST RAL TONE
* HE = Harsh Environment

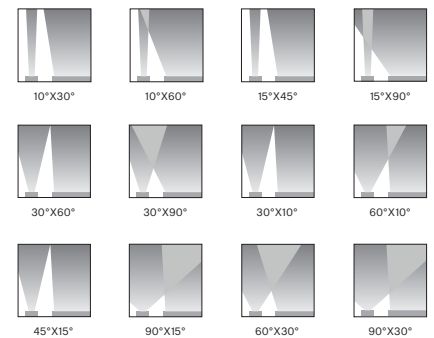


OPTIC OPTIONS

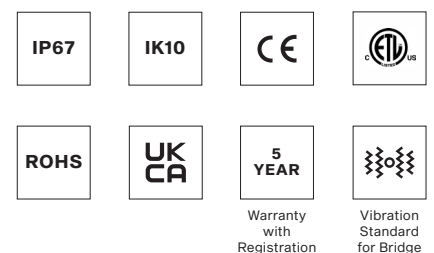
SYMMETRICAL



BI-SYMMETRICAL



STANDARD & SPECIFICATION



SPECIFICATION

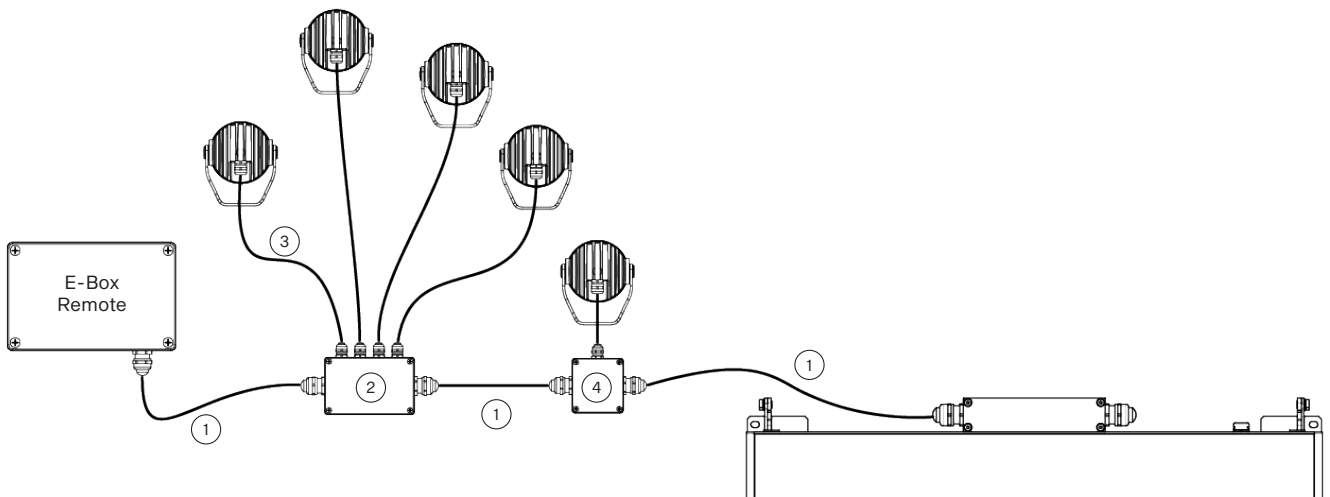
ELECTRICAL	Typical Power Consumption	10 W		
	Input Voltage	48 V		
OPTICAL	Light Source	High Power Multichip LED		
	Colour Variants	RGBW (W - 6500 K) RGBA RGBL Pure White (W - 3000 K) On Request: Tuneable White (3000–6500 K)		
	Beam Angle	9° 12° (RGBW & RGBA only) 15° 25° 30° 45° 65° 100° 10°x30° 30°x10° 10°x60° 60°x10° 15°x45° 45°x15° 15°x90° 90°x15° 30°x60° 60°x30° 30°x90° 90°x30°		
	Lumen Output Delivered	333 lm (@9°RGBW)		
	Projected Lumen Maintenance	L90B10 >90.000 hrs, Ta = 25°C / 77°F		
CONTROL	Interface protocol	Via E-box Remote or E-box Remote Basic		
	E-Box Remote control protocol	USITT DMX512/RDM, ArtNet, MA Net, MA Net2, sACN, Kling-Net		
	Setting / addressing	E-box Remote, RDM communicator		
	Connectivity & Power Supply	E-Box Remote Remote Basic		
PHYSICAL	Width x Height x Depth	94 x 108 x 76 mm (3.7 x 4.2 x 2.99 in.)		
	Weight	0.59 kg 1.3 lbs		
	Housing	High Pressure Die-Cast Aluminium Body Tempered Glass		
	Finish Options	Standard Colour	Graphite Black RAL 9011 Grey Aluminium RAL 9007 Pure White RAL 9010 Sandstone RAL 1014	
		Standard Colour Harsh Environment	Graphite Black RAL 9011 Grey Aluminium RAL 9007 Pure White RAL 9010 Sandstone RAL 1014	
		Cost Option	Custom RAL	
	Cabels / Connectivity	IN (for DMX, DALI): - 1 m cable with bare end - Other cable length - custom - Junction box - optional	IN (for E-Box Version): - Cable (5x20 AWG) 0.5m, with Connector MM	
	Mounting Method	Yoke or Yoke for Pole Adaptor		
	Adjustability	+180° / -180°		
	Protection Factor	IP67 (IP66 Junction Box) / Suitable For Wet Locations		
IK Rating	IK10			
Cooling System	Convection			
Operating Ambient Temperature	-20°C / +50°C (-4°F / +122°F)			
CERTIFICATION	Listings	ETL / cETL, CE, RoHS, UKCA		
ACCESSORIES	Not Included Items	Optical Demo Set for Calumma XS (for demo purposes)		
		Outdoor Foil Holder for Calumma XS (for permanent installation)		
		Optical Foil Set for Outdoor Foil Holder Calumma XS		
		Re-enterable Electrical Insulating Resin		
		Land Spike for Calumma XS		
		Top Hat Calumma XS		
		Half Top Hat Calumma XS		
Twin Wall Cover Calumma XS				
Pole Adaptor (ø 102 mm) (Yoke for Pole Adaptor Required)				

	Junction Box Remote (1x Output)
	Junction Box Remote (4x Output)
IN (1m Cable with bare-end version)	Cable UL20969 5x20 AWG (black or white) - Calumma XS input cable
	Cable SJTW 5x14 AWG (black or white) - main connection between Junction Boxes
ACCESSORIES	Leader Cable FF 0.1m CE AD-05
	Jumper Cable MM/FFCE AD-05 0.5 m 1m 3m 5m
	T-connector FMF CE AB-AD-05
	Waterproof Cap for M connector AD-05
	Waterproof Cap for F connector AD-05
	Cable SJTW 5x14 AWG (black or white) - main connection between Junction Boxes
	Connection Box Remote 1x Out (14 AWG–20 AWG)
	Connection Box Remote 2x Out (14 AWG–14 AWG & 20 AWG)
	Field Installable Connector FF DC-05 (for 5x14 AWG)
	Field Installable Connector FM DC-05 (for 5x14 AWG)

CONTROL AND CONNECTION OPTIONS

IN (1m Cable with bare-end)

- 1) SJTW 5x14 AWG (13053336), Standard with bare-end, black
or on request Cable SJTW 5x14 AWG (13053697), with bare-end, white
- 2) Junction Box Remote (4x Output)
- 3) Cable UL 20969 5x20 AWG (13053481), black
or on request Cable UL 20969 5x20 AWG (13053696), white
- 4) Junction Box Remote (1x Output)

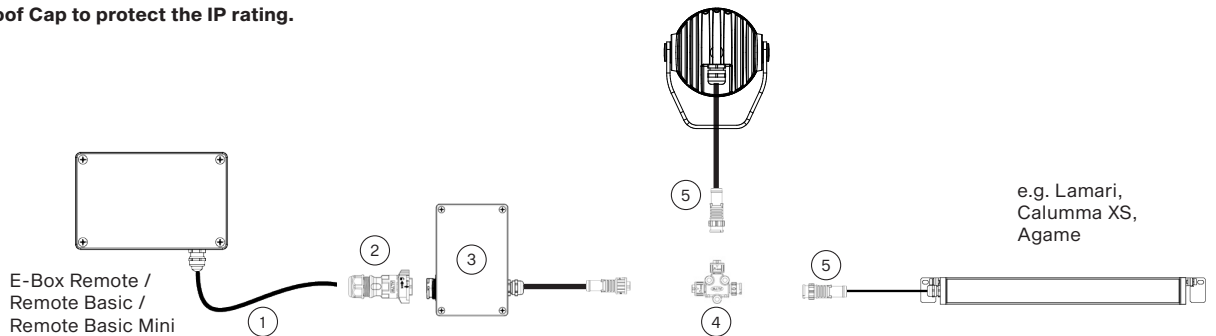


CONTROL AND CONNECTION OPTIONS

IN (0.5m Cable 5x20 AWG with Connector MM)

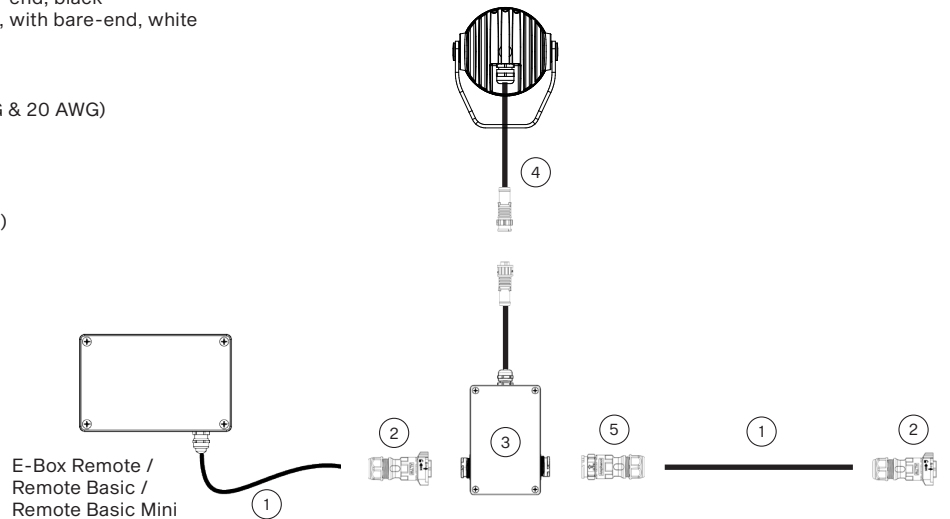
- 1) SJTW 5x14 AWG (13053693), Standard with bare-end, black or on request Cable SJTW 5x14 AWG (13053697), with bare-end, white
- 2) Field Installable Connector FF DC-05 (13053971)
- 3) Connection Box Remote 1x Out (14 AWG-to-20 AWG) Cable (5x20 AWG) 0.1m, with Connector FF
- 4) T-connector FMF, (13053935)
- 5) Cable (5x20 AWG) 0.5m, with Connector MM

Note: The last unmated connector must be fitted with a Waterproof Cap to protect the IP rating.



- 1) SJTW 5x14 AWG (13053693), Standard with bare-end, black or on request Cable SJTW 5x14 AWG (13053697), with bare-end, white
- 2) Field Installable Connector FF DC-05 (13053971)
- 3) Connection Box Remote 2x Out (14 AWG–14 AWG & 20 AWG) Cable (5x20 AWG) 0.1 m, with Connector FF
- 4) Cable (5x20 AWG) 0.5 m, with Connector MM
- 5) Field Installable Connector FM DC-05 (13053973)

Note: The last unmated connector must be fitted with a Waterproof Cap to protect the IP rating.



CONNECTIVITY

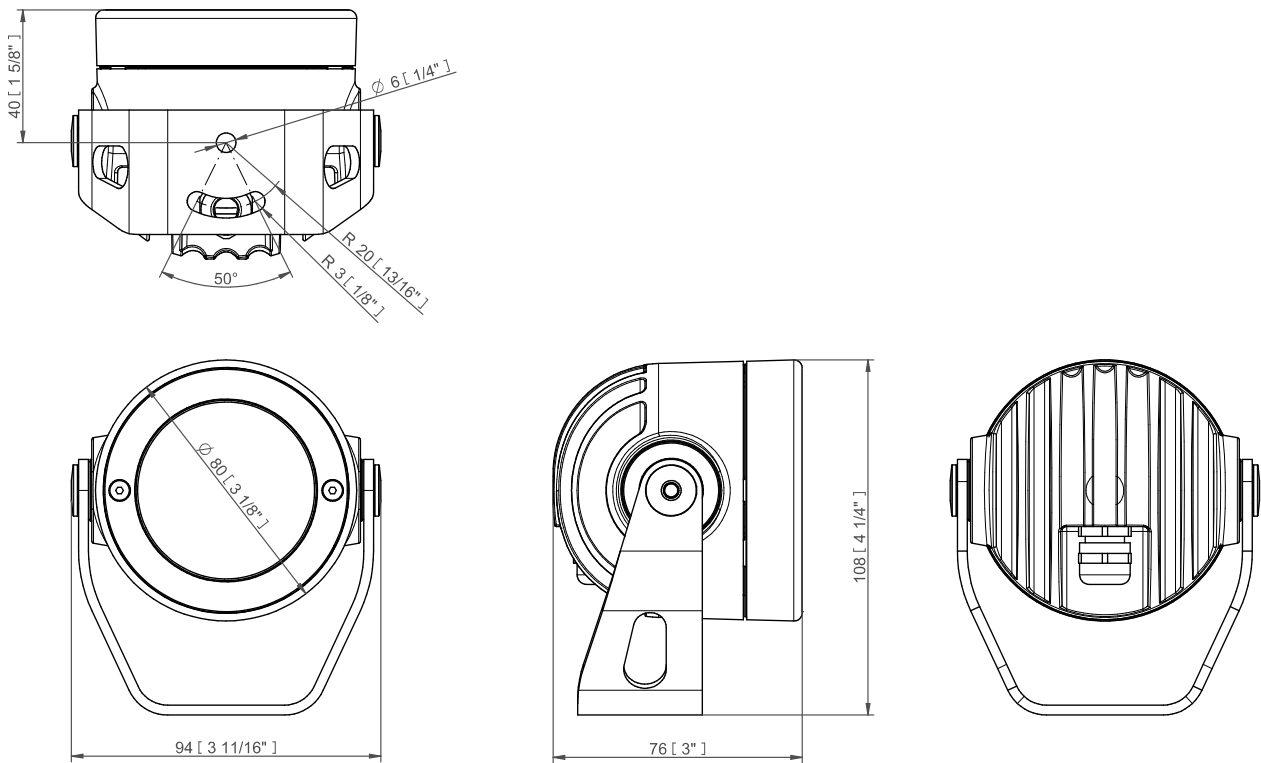
Following table shows maximum connected Calummas XS SC in a row with respect of cable length.

Cable length	Per E-Box Remote	Per 1 LED output
50 m (max per 1 output)	40 pcs	20 pcs
100 m (total length, 2x output)		20 pcs

PROJECTED AREA

	Front (rear) - m ²	Front (rear) ft ²	Side - m ²	Side - ft ²	Top - m ²	Top - ft ²
Calumma XS	0.006	0.065	0.007	0.070	0.006	0.065
with Top Hat	0.006	0.065	0.014	0.151	0.014	0.151
with Half Top Hat	0.006	0.065	0.008	0.082	0.014	0.151

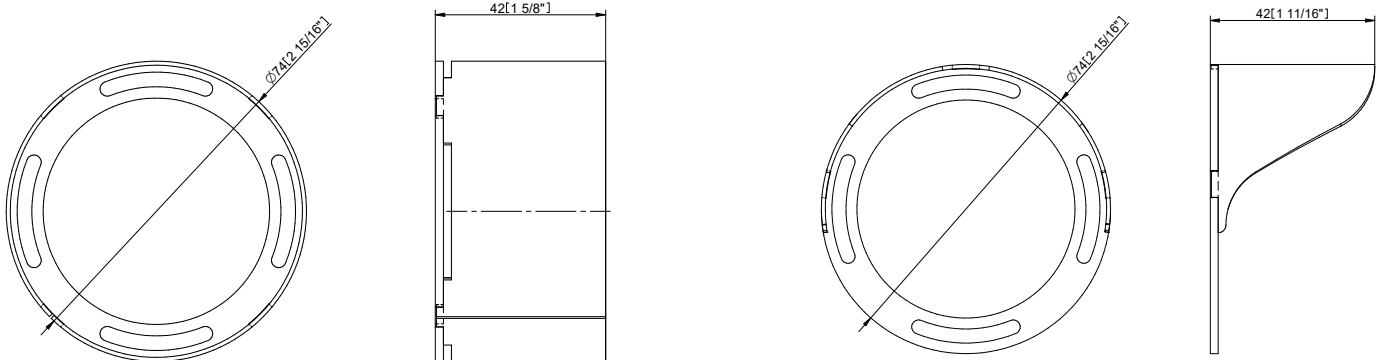
DIMENSIONS



ACCESSORIES

Top Hat

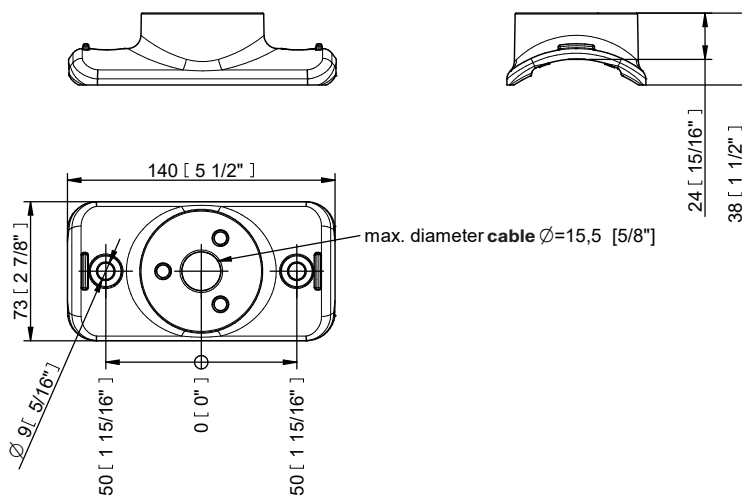
Half Top Hat



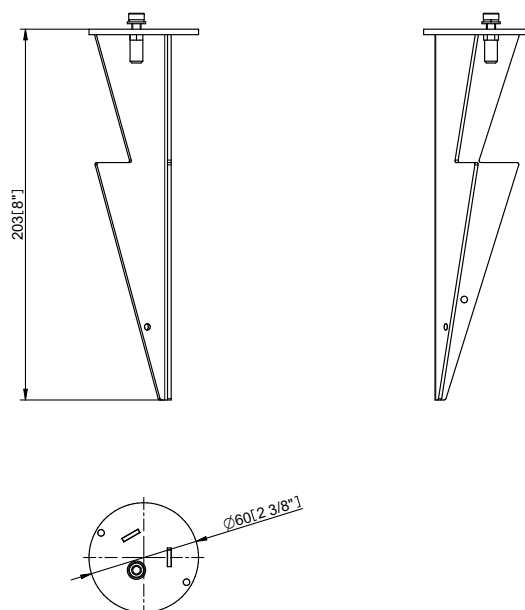
ACCESSORIES

Pole Adaptor (ø 102 mm, Yoke for pole Adaptor Required / PA)

Example of ordering code: Calumma XS MC RGBCW 15° PA



Land Spike for Calumma XS



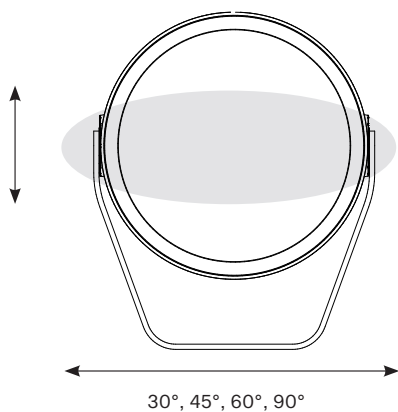
PHOTOMETRIC OVERVIEW

	Lumen Output (lm)		
	RGBCW (W 6500 K)	RGBA	WW (W 3000 K)
9°	333	285	283
12°	368	315	313
15°	283	243	241
25°	283	243	242
30°	278	238	237
45°	283	243	242
65°	283	243	242
100°	279	239	238
10° x 30°, 30° x 10°	267	229	228
10° x 60°, 60° x 10°	297	255	254
15° x 45°, 45° x 15°	303	259	258
30° x 60°, 60° x 30°	281	240	239
30° x 90°, 90° x 30°	302	258	257
15° x 90°, 90° x 15°	301	258	257

BI-SYMMETRICAL BEAM ANGLES

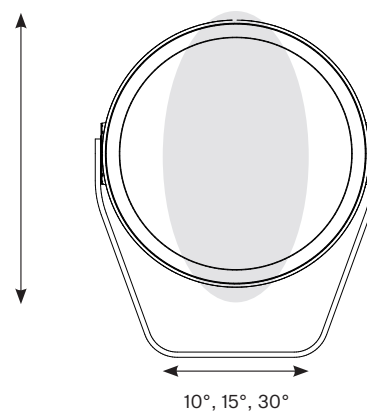
Bi-symmetrical:
10°x30°,
10°x60°,
15°x45°,
15°x90°,
30°x60°,
30°x90°

10°, 15°, 30°



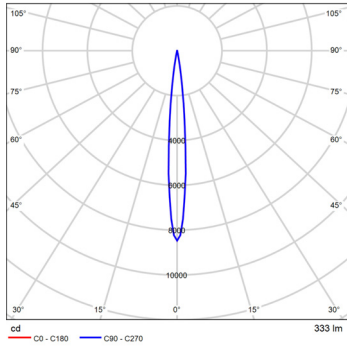
Bi-symmetrical:
30°x10°,
60°x10°,
45°x15°,
90°x15°,
60°x30°,
90°x30°

30°, 45°, 60°, 90°

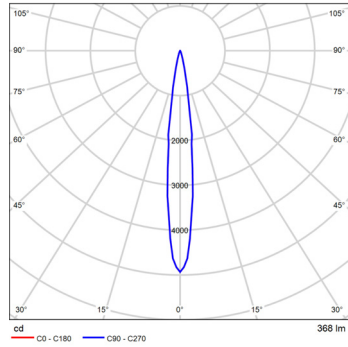


PHOTOMETRIC DATA

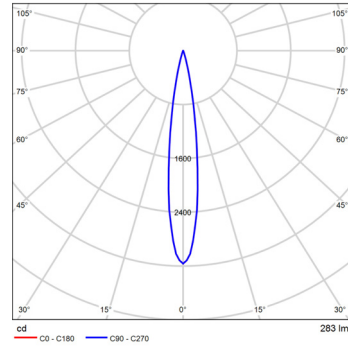
Calumma XS MC RGBW 6500K 9dg



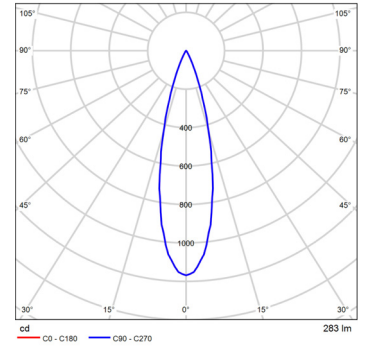
Calumma XS MC RGBW 6500K 12dg



Calumma XS MC RGBW 6500K 15dg



Calumma XS MC RGBW 6500K 25dg



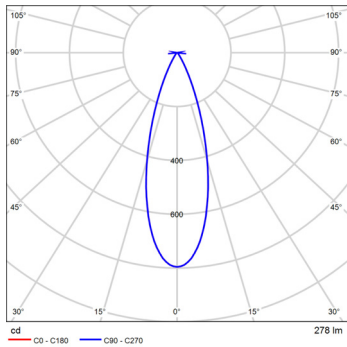
0.50	0.09	E(0°) E(C0)	33876 15845
1.0	0.17	E(0°) E(C0)	8469 4212
1.5	0.26	E(0°) E(C0)	3764 1872
2.0	0.35	E(0°) E(C0)	2117 1053
2.5	0.44	E(0°) E(C0)	1358 674
3.0	0.52	E(0°) E(C0)	941 468
Distance [m]	Cone diameter [m]	Illuminance [lx]	
C0 - C180 (Beam angle: 10.0°)			

0.50	0.11	E(0°) E(C0)	19730 9748
1.0	0.22	E(0°) E(C0)	4933 2437
1.5	0.33	E(0°) E(C0)	2192 1083
2.0	0.44	E(0°) E(C0)	1233 609
2.5	0.55	E(0°) E(C0)	789 390
3.0	0.66	E(0°) E(C0)	548 271
Distance [m]	Cone diameter [m]	Illuminance [lx]	
C0 - C180 (Beam angle: 12.8°)			

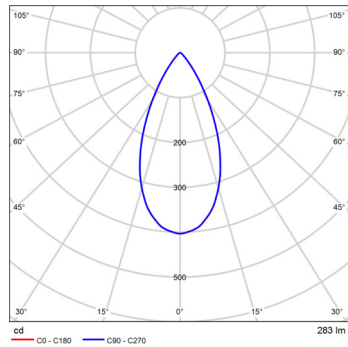
0.50	0.13	E(0°) E(C0)	10657 6165
1.0	0.27	E(0°) E(C0)	3164 1541
1.5	0.40	E(0°) E(C0)	1406 685
2.0	0.53	E(0°) E(C0)	791 385
2.5	0.67	E(0°) E(C0)	508 247
3.0	0.80	E(0°) E(C0)	352 171
Distance [m]	Cone diameter [m]	Illuminance [lx]	
C0 - C180 (Beam angle: 15.2°)			

0.50	0.23	E(0°) E(C0)	4873 2172
1.0	0.46	E(0°) E(C0)	1168 543
1.5	0.69	E(0°) E(C0)	519 241
2.0	0.92	E(0°) E(C0)	292 136
2.5	1.2	E(0°) E(C0)	187 87
3.0	1.4	E(0°) E(C0)	130 60
Distance [m]	Cone diameter [m]	Illuminance [lx]	
C0 - C180 (Beam angle: 26.0°)			

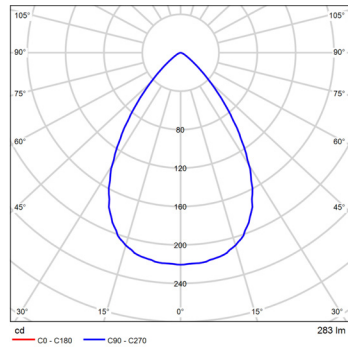
Calumma XS MC RGBW 6500K 30dg



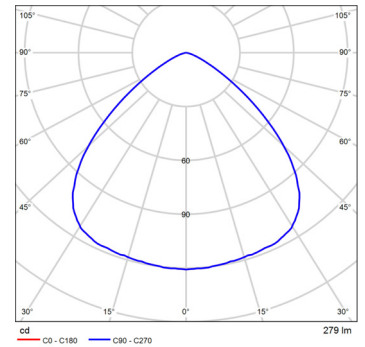
Calumma XS MC RGBW 6500K 45dg



Calumma XS MC RGBW 6500K 65dg



Calumma XS MC RGBW 6500K 100dg



0.50	0.29	E(0°) E(C0)	3183 1428
1.0	0.57	E(0°) E(C0)	796 356
1.5	0.86	E(0°) E(C0)	354 158
2.0	1.1	E(0°) E(C0)	199 89
2.5	1.4	E(0°) E(C0)	127 57
3.0	1.7	E(0°) E(C0)	88 40
Distance [m]	Cone diameter [m]	Illuminance [lx]	
C0 - C180 (Beam angle: 32.0°)			

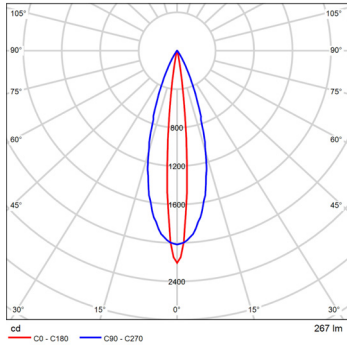
0.50	0.45	E(0°) E(C0)	1613 810
1.0	0.91	E(0°) E(C0)	403 153
1.5	1.4	E(0°) E(C0)	179 68
2.0	1.8	E(0°) E(C0)	101 38
2.5	2.3	E(0°) E(C0)	65 24
3.0	2.7	E(0°) E(C0)	45 17
Distance [m]	Cone diameter [m]	Illuminance [lx]	
C0 - C180 (Beam angle: 45.8°)			

0.50	0.70	E(0°) E(C0)	882 245
1.0	1.4	E(0°) E(C0)	221 61
1.5	2.1	E(0°) E(C0)	98 27
2.0	2.8	E(0°) E(C0)	55 15
2.5	3.5	E(0°) E(C0)	35 9.8
3.0	4.2	E(0°) E(C0)	25 6.8
Distance [m]	Cone diameter [m]	Illuminance [lx]	
C0 - C180 (Beam angle: 68.8°)			

0.50	1.2	E(0°) E(C0)	483 96
1.0	2.4	E(0°) E(C0)	121 16
1.5	3.5	E(0°) E(C0)	54 7.3
2.0	4.7	E(0°) E(C0)	30 4.1
2.5	5.9	E(0°) E(C0)	19 2.6
3.0	7.1	E(0°) E(C0)	13 1.8
Distance [m]	Cone diameter [m]	Illuminance [lx]	
C0 - C180 (Beam angle: 99.4°)			

PHOTOMETRIC DATA

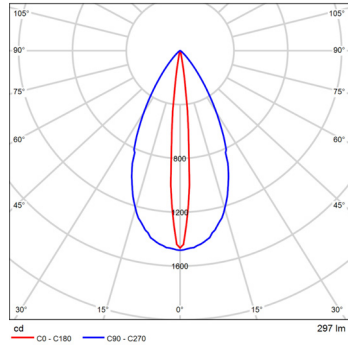
Calumma XS MC RGBW 6500K
10x30dg



Distance [m]	Cone diameter [m]	E(0°)	E(C90)	E(C0)
0.50	0.35 0.09	8831	16.7° 3865	5.2° 4494
1.0	0.69 0.18	2208	16.7° 890	5.2° 1198
1.5	0.90 0.27	981	16.7° 396	5.2° 493
2.0	1.2 0.36	552	16.7° 233	5.2° 277
2.5	1.5 0.46	353	16.7° 142	5.2° 177
3.0	1.8 0.55	245	16.7° 99	5.2° 123

Distance [m] Cone diameter [m] Illuminance [lx]
 C0 - C180 (Beam angle: 10.4°) C90 - C270 (Beam angle: 33.4°)

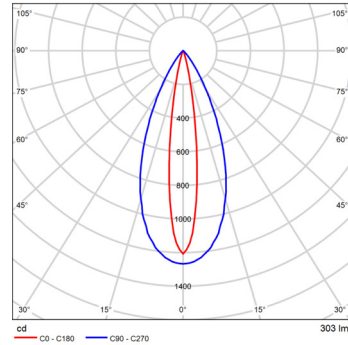
Calumma XS MC RGBW 6500K
10x60dg



Distance [m]	Cone diameter [m]	E(0°)	E(C90)	E(C0)
0.50	0.50 0.09	5862	28.3° 2146	5.0° 2350
1.0	0.99 0.17	1466	28.3° 536	5.0° 592
1.5	1.5 0.26	691	28.3° 238	5.0° 258
2.0	2.0 0.35	366	28.3° 134	5.0° 183
2.5	2.5 0.44	234	28.3° 86	5.0° 117
3.0	3.0 0.52	163	28.3° 60	5.0° 81

Distance [m] Cone diameter [m] Illuminance [lx]
 C0 - C180 (Beam angle: 10.0°) C90 - C270 (Beam angle: 52.6°)

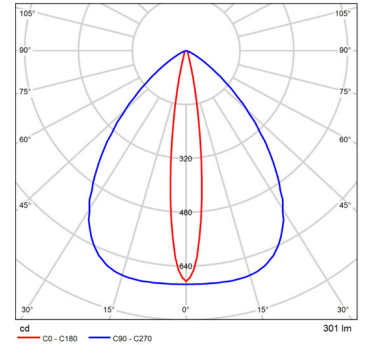
Calumma XS MC RGBW 6500K
15x45dg



Distance [m]	Cone diameter [m]	E(0°)	E(C90)	E(C0)
0.50	0.45 0.14	4629	22.0° 2021	7.7° 2354
1.0	0.91 0.27	1207	22.0° 508	7.7° 589
1.5	1.2 0.41	537	22.0° 226	7.7° 262
2.0	1.6 0.54	302	22.0° 127	7.7° 147
2.5	2.0 0.68	193	22.0° 81	7.7° 94
3.0	2.4 0.81	134	22.0° 56	7.7° 65

Distance [m] Cone diameter [m] Illuminance [lx]
 C0 - C180 (Beam angle: 15.4°) C90 - C270 (Beam angle: 44.0°)

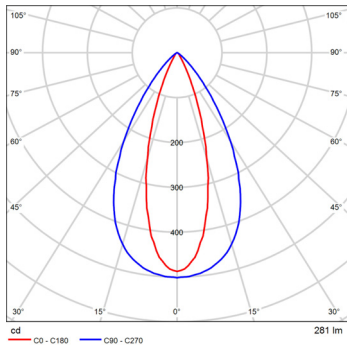
Calumma XS MC RGBW 6500K
15x90dg



Distance [m]	Cone diameter [m]	E(0°)	E(C90)	E(C0)
0.50	0.38 0.13	2742	41.3° 363	7.6° 1301
1.0	0.76 0.27	686	41.3° 148	7.6° 338
1.5	1.14 0.40	305	41.3° 66	7.6° 150
2.0	1.52 0.53	171	41.3° 37	7.6° 84
2.5	1.90 0.67	110	41.3° 24	7.6° 54
3.0	2.28 0.80	76	41.3° 16	7.6° 38

Distance [m] Cone diameter [m] Illuminance [lx]
 C0 - C180 (Beam angle: 15.2°) C90 - C270 (Beam angle: 82.6°)

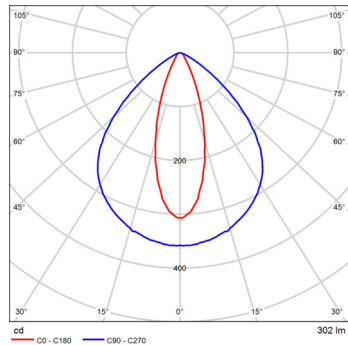
Calumma XS MC RGBW 6500K
30x60dg



Distance [m]	Cone diameter [m]	E(0°)	E(C90)	E(C0)
0.50	0.58 0.28	1950	29.9° 855	15.7° 871
1.0	1.2 0.56	488	29.9° 164	15.7° 218
1.5	1.7 0.84	217	29.9° 73	15.7° 97
2.0	2.3 1.1	122	29.9° 41	15.7° 54
2.5	2.9 1.4	78	29.9° 26	15.7° 35
3.0	3.5 1.7	54	29.9° 18	15.7° 24

Distance [m] Cone diameter [m] Illuminance [lx]
 C0 - C180 (Beam angle: 31.4°) C90 - C270 (Beam angle: 59.8°)

Calumma XS MC RGBW 6500K
30x90dg



Distance [m]	Cone diameter [m]	E(0°)	E(C90)	E(C0)
0.50	1.0 0.30	1227	45.3° 290	16.8° 539
1.0	2.0 0.60	307	45.3° 63	16.8° 135
1.5	3.0 0.91	136	45.3° 28	16.8° 60
2.0	4.0 1.2	77	45.3° 16	16.8° 34
2.5	5.1 1.5	49	45.3° 10	16.8° 22
3.0	6.1 1.8	34	45.3° 6.9	16.8° 15

Distance [m] Cone diameter [m] Illuminance [lx]
 C0 - C180 (Beam angle: 15.4°) C90 - C270 (Beam angle: 50.6°)