

CALUMMA™ URBAN S

Introducing our new Calumma featuring an asymmetrical side and forward beam angle, the perfect addition to our existing series of lighting solutions providing efficient and targeted illumination without any light spill. The asymmetrical side and forward beam angle allows for precise control of the light distribution, ensuring the desired area is well-lit while minimizing glare and light pollution. This feature makes it an ideal choice for various outdoor applications, such as pathways, parks, architectural accents, and landscape lighting. Upgrade your outdoor lighting experience with our cutting-edge Calumma Urban, and enjoy the perfect balance of functionality, efficiency, and style.



KEY FEATURES

Lumen output & Light source

Luminaire with 16 high-power, single-chip LEDs provides 1443 lumen output (@ RGBW, W - 6500K, Asymmetrical Forward). Multiple LED colour variants. No light spills. Well homogenised light output.

Design & Durability

Compact, durable and stylish housing made of high-pressure die cast aluminium. IP67 and IK10 certification; suitable for marine applications (Harsh Environment Finish required) and traffic applications. Supported with a 5 year warranty.

Flexibility

Exceptional outdoor or indoor LED luminaire with custom colour finishes, multiple light output variants.

Connectivity

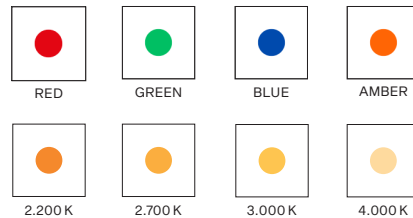
Calumma Urban S can be connected via an E-Box for almost effortless installation. DMX512+RDM and wide range of Ethernet protocols are available for E-Box control. DMX/RDM or DALI 2 interface protocols facilitate standard connection options.

COLOURS

STANDARD



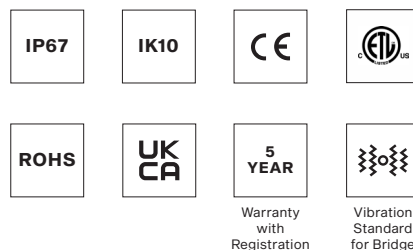
UPON REQUEST



AVAILABLE COLOURS
FOR CUSTOM SETUP

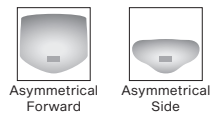


STANDARD & SPECIFICATION



OPTIC OPTIONS

ASYMMETRICAL

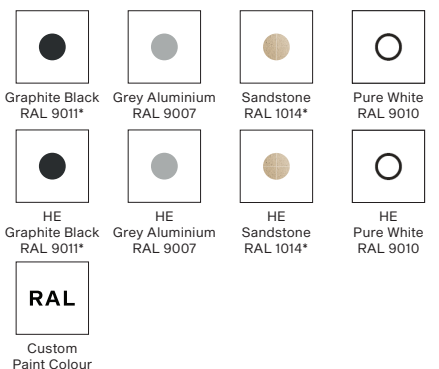


CONTROL & PROTOCOLS



FINISH OPTIONS

* CLOSEST RAL TONE
* HE = Harsh Environment



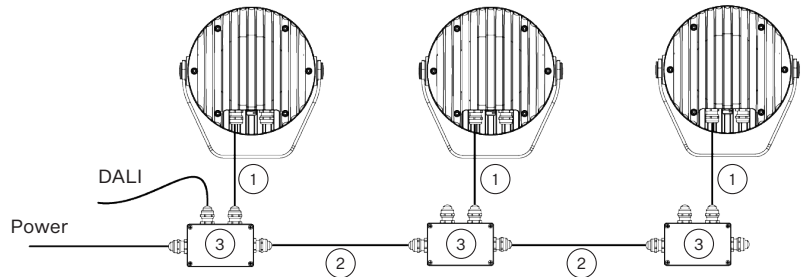
SPECIFICATION

ELECTRICAL	Input Voltage	120-277 V AC 50/60 Hz	
	Typical Power Consumption	30 W +/-10 %	
OPTICAL	Light Source	High Power Single Chip LEDs	
	Colour Variants	RGBW (W - 6500 K) RGBA Pure White (W - 3000 K) Tuneable White (2200-3000 K) Custom Setup On Request: Red, Green, Blue, Amber, 2200 K, 2700 K, 3000 K, 4000 K, 6500 K	
	Beam Angle	Asymmetrical Side Asymmetrical Forward	
	Lumen Output Delivered	1443 lm (@ RGBW, W - 6500 K, Asymmetrical Forward)	
	Projected Lumen Maintenance	L90B10 >90.000 hrs, Ta = 25°C / 77°F	
	CONTROL	Interface Protocol	Via E-box range, DMX/RDM, DALI 2 or ON/OFF (PW & single colour only)
E-box control protocol		USITT DMX512+RDM, ArtNet, MA Net, MA Net2, sACN, Kling-Net	
DALI 2 Device Type		DT 8	
Control System		Third Party DMX Controllers or third party DALI 2 controllers, Ethernet	
Operating Modes		DMX, Stand-alone	
Settings / Addressing		E-Box, RDM communicator	
Power Supply		Integrated	
PHYSICAL	Width x Height x Depth	189 x 196 x 119 mm (7.4 x 7.7 x 4.7 in.)	
	Weight	3.9 kg 8.6 lbs	
	Housing	High Pressure Die-Cast Aluminium Body	
		Tempered Glass	
	Finish Options	Standard Colour	Graphite Black RAL 9011 Grey Aluminium RAL 9007 Pure White RAL 9010 Sandstone RAL 1014
		Standard Colour Harsh Environment	Graphite Black RAL 9011 Grey Aluminium RAL 9007 Pure White RAL 9010 Sandstone RAL 1014
		Cost Option	Custom RAL
	Cables / Connections	IN (DMX, DALI): 1m cable, bare end (custom length on request) Junction Box (optional)	
	Mounting Method	Yoke or Yoke for Pole Adaptor	
	Adjustability	+180° / -180°	
Protection Factor	IP67 / Suitable For Wet Locations		
IK Rating	IK10		
Cooling System	Convection		
Operating Ambient Temperature	-20°C / +50°C (-4°F / +122°F)		
CERTIFICATION	Listings	ETL / cETL, CE, RoHS, UKCA	
ACCESSORIES	Not Included Items		
	Junction Box (CE or US)		
	Floor Stand for Calumma S, M		
	Tenon Adaptor		
	Pole Adaptor (ø 102mm) (Yoke for Pole Adaptor Required)		

CONTROL AND CONNECTION OPTIONS - CE

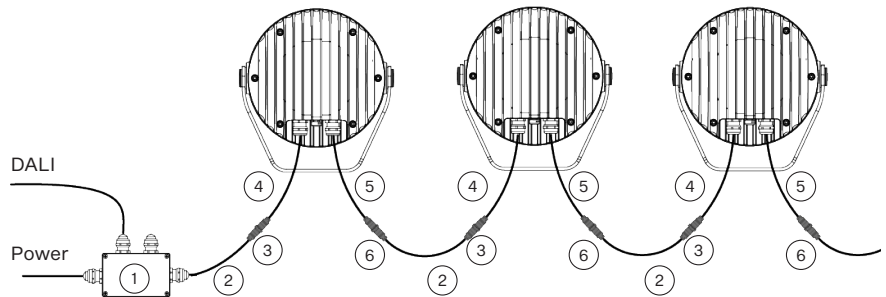
DALI

- 1) Hybrid Cable (13053693) Standard 1 m with bare-end, black or on request Hybrid cable (13053697), 1 m with bare-end, white
- 2) Hybrid Cable (13053693) Standard 1 m with bare-end, black or on request Hybrid cable (13053697), 1 m with bare-end, white or Scope of Others
- 3) Junction Box



- 1) Junction Box
- 2) Hybrid Cable (13053693) Standard 1 m with bare-end, black or on request Hybrid cable (13053697), 1 m with bare-end, white
- 3) Field Installable Connector FF DC-05 (13053971)

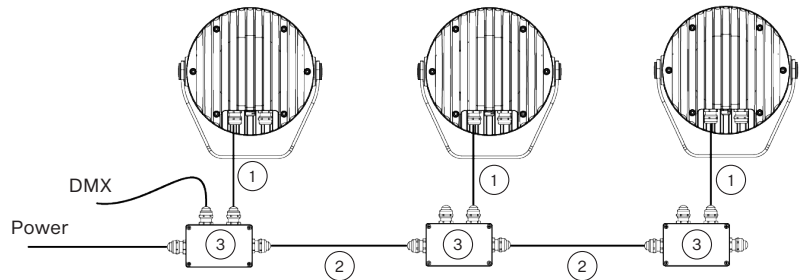
- 4) Hybrid Cable (13053693), black, standard 0.5 m with Field Installable Connector MM DC-05 (13053972), black or on request Hybrid cable (13053697), white, 0.5 m with Field Installable Connector MM DC-05 (13053972), black
- 5) Hybrid Cable (13053693), black, standard 0.5 m with Field Installable Connector FF DC-05 (13053971), black or on request Hybrid cable (13053697), white, 0.5 m with Field Installable Connector FF DC-05 (13053971), black
- 6) Field Installable Connector MM DC-05 (13053972)



Note: The last unplugged connector must be fitted with a Waterproof Cap to protect the IP rating.

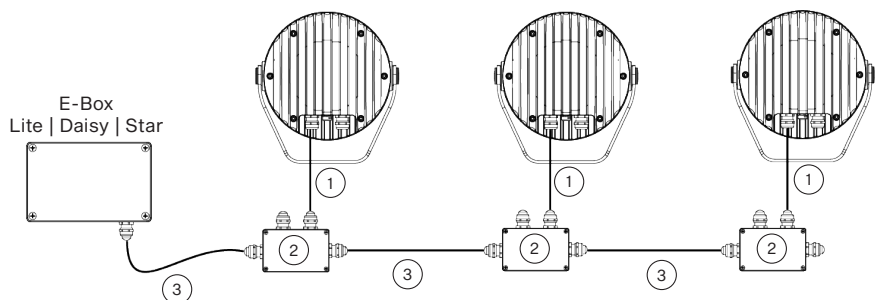
DMX

- 1) Flamar 3x16 AWG + 1x(2x24 AWG) Standard 1 m with bare-end, (13051508), black or Hybrid Cable HYB-5731ZH LSZH (13053694), white
- 2) Flamar 3x16 AWG + 1x(2x24 AWG) - (13051508), black or Hybrid Cable HYB-5731ZH LSZH (13053694), white or Scope of Others
- 3) Junction Box



DMX or ETHERNET via E-BOX

- 1) Flamar 3x16 AWG + 1x(2x24 AWG) Standard 1 m with bare-end, (13051508), black or Hybrid Cable HYB-5731ZH LSZH (13053694), white
- 2) Junction Box
- 3) Flamar 3x16 AWG + 1x(2x24 AWG) - (13051508), black or Hybrid Cable HYB-5731ZH LSZH (13053694), white or Scope of Others

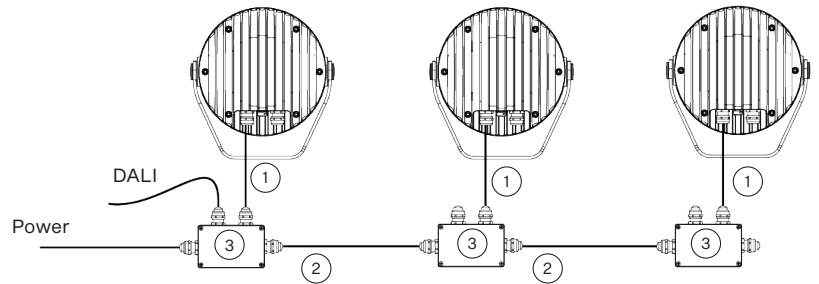


Note: This type of connection is available for S, M, L, and XL versions. E-Box has to be in Pass Through mode only.

CONTROL AND CONNECTION OPTIONS - US

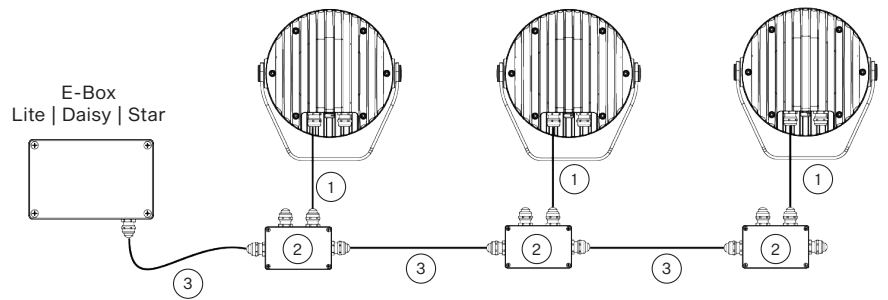
DALI

- 1) SJTW 5x14 AWG (13053693), Standard 1 m with bare-end, black or Cable SJTW 5x14 AWG (13053697), white
- 2) SJTW 5x14 AWG (13053693), black or Cable SJTW 5x14 AWG (13053697), white or Scope of Others
- 3) Junction Box



DMX or ETHERNET via E-BOX

- 1) Flamar 3x16 AWG + 1x(2x24 AWG) Standard 1 m with bare-end, (13051508), black or Hybrid Cable HYB-5731ZH LSZH (13053694), white
- 2) Junction Box
- 3) Flamar 3x16 AWG + 1x(2x24 AWG) - (13051508), black or Hybrid Cable HYB-5731ZH LSZH (13053694), white or Scope of Others



Note: This type of connection is available for **S, M, L, and XL** versions. **E-Box** has to be in **Pass Through** mode only.

CONNECTIVITY

Following table shows maximum connected Calummas Urban S in a row with respect of cable length.

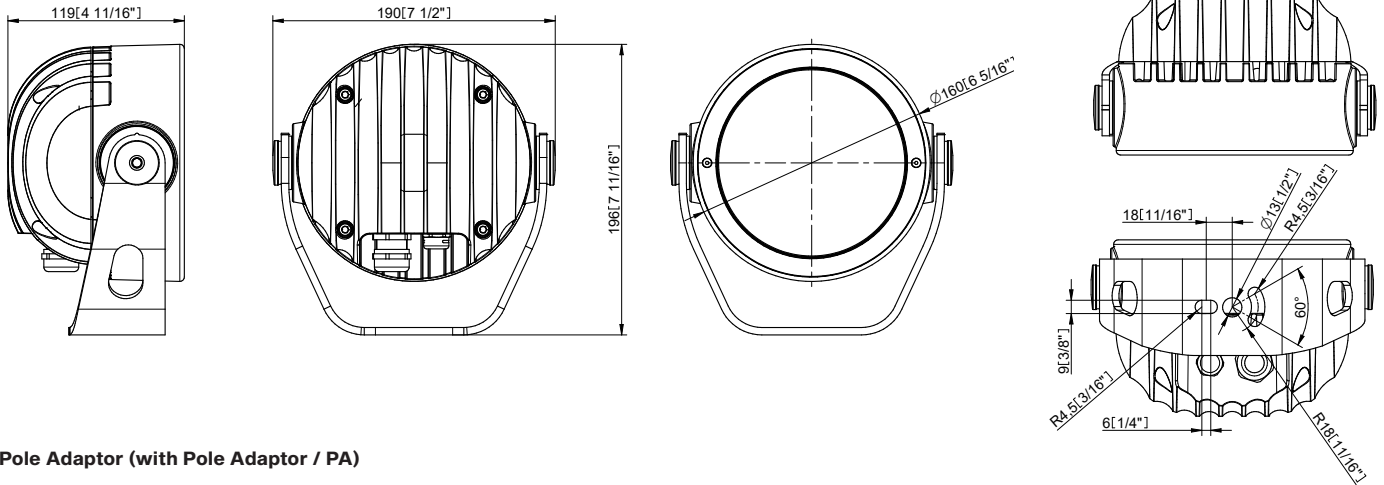
	Cable length (m)	Voltage (V)			
		120	190	230	277
CALUMMA URBAN S	10	32	32	32	32
	20	32	32	32	32
	30	32	32	32	32
	50	26	32	32	32
	70	18	32	32	32
	100	13	32	32	32

PROJECTED AREA

	Front (rear) - m ²	Front (rear) ft ²	Side - m ²	Side - ft ²	Top - m ²	Top - ft ²
Calumma S	0,023	0,250	0,019	0,207	0,018	0,196

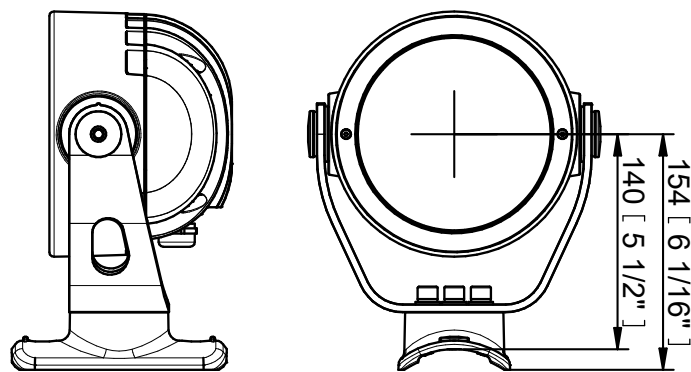
DIMENSIONS

Standard Yoke



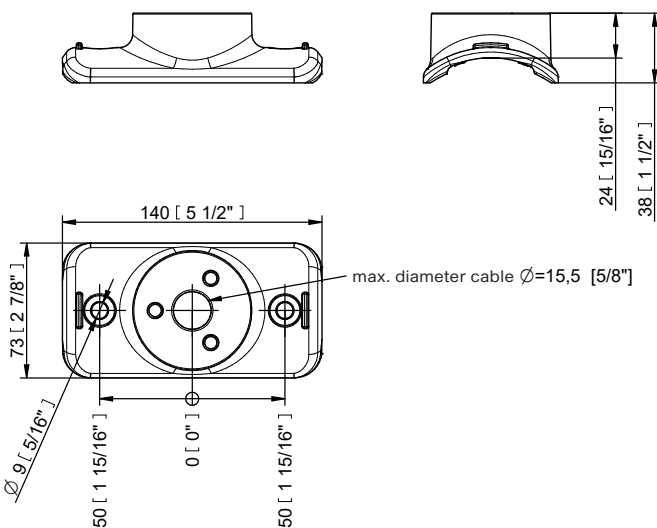
Yoke for Pole Adaptor (with Pole Adaptor / PA)

Example of ordering code: Calumma Urban S RGBCW Side PA



ACCESSORIES

Pole Adaptor (ø 102mm; with Pole Adaptor / PA)



Floor Stand

