

CALUMMA™ UN XS SC

Built around one high-power single-chip LEDs and enclosed in a compact, refined, and durable housing, the smallest Calumma UN XS delivers precise performance in a minimal form factor. Equipped exclusively with a 5° optic, it produces a tightly focused beam with excellent control, making it ideal for wall grazing and subtle architectural accents. Suitable for both exterior and interior applications, and available in various white LED variants and compatible accessories, Calumma UN XS SC is an ultra-compact lighting solution designed for precise architectural integration.



KEY FEATURES

Lumen output & Light source

Luminaire with one high-power, single-chip LEDs provides up to 185 lumen output (@5°, PW 3000 K). No light spills.

Design & Durability

Lightweight, compact, durable and stylish housing made of high-pressure die cast aluminium. IP67 and IK10 certification; suitable for marine applications (Harsh Environment Finish required) and traffic applications. Supported with a 5 year warranty.

Flexibility

With its ultra-narrow 5° optics, Calumma UN XS delivers a precise extra-tight beam that is ideal for wall grazing and highlighting textures such as stone, brick, or relief surfaces. Its compact size allows discreet installation in façades, narrow reveals, or for accenting fine architectural details with precise, controlled light.

COLOURS

STANDARD



PW
(3000 K)

UPON REQUEST



3.000 K

AVAILABLE COLOURS
FOR CUSTOM SETUP

CONTROL & PROTOCOLS



REMOTE /
REMOTE
BASIC



PW & SINGLE
COLOUR
ONLY

STANDARD & SPECIFICATION



Warranty
with
Registration

Vibration
Standard
for Bridge

OPTIC OPTIONS



5°

FINISH OPTIONS

* CLOSEST RAL TONE
* HE = Harsh Environment



Graphite Black
RAL 9011*



Grey Aluminium
RAL 9007



Sandstone
RAL 1014*



Pure White
RAL 9010



HE
Graphite Black
RAL 9011*



HE
Grey Aluminium
RAL 9007



HE
Sandstone
RAL 1014*



HE
Pure White
RAL 9010



Custom
Paint Colour

SPECIFICATION

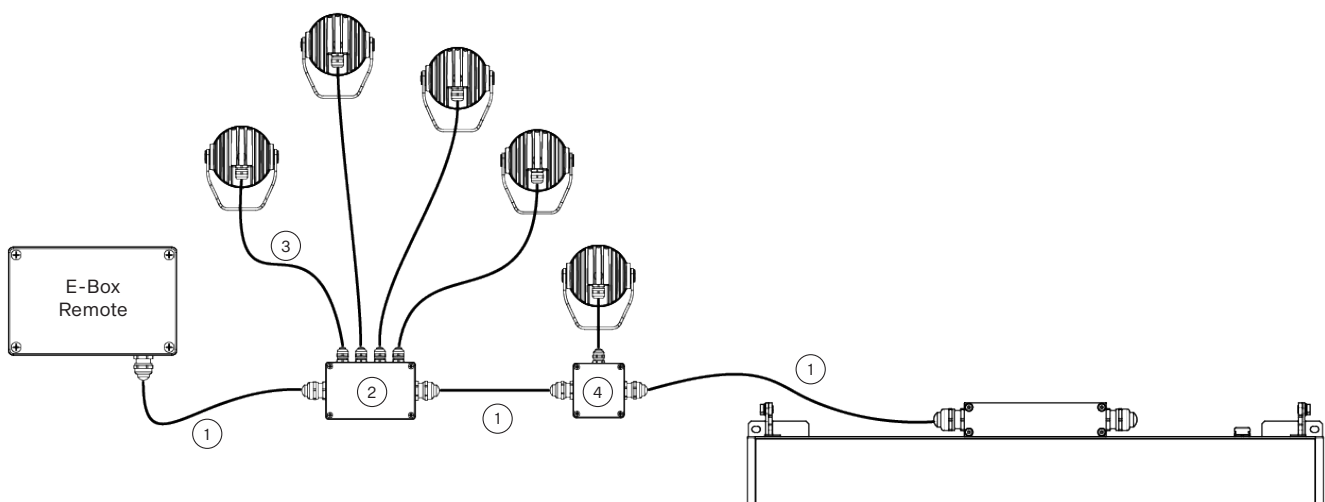
| | | | | |
|-------------------------------|-----------------------------------|---|---|---|
| ELECTRICAL | Input Voltage | 48 V | | |
| | Typical Power Consumption | 4 W +/-10 % | | |
| OPTICAL | Light Source | High Power Single Chip LEDs | | |
| | Colour Variants | PW (W - 3000 K) | | |
| | Beam Angle | 5° | | |
| | Lumen Output Delivered | 185 lm (@ 5°, PW 3000 K) TBC | | |
| | Projected Lumen Maintenance | L90B10 >90.000 hrs, Ta = 25°C / 77°F | | |
| CONTROL | Interface protocol | Via E-Box Remote or E-box Remote Basic ON/OFF (PW & single colour only) | | |
| | E-Box Remote control protocol | USITT DMX512/RDM, ArtNet, MA Net, MA Net2, sACN, Kling-Net | | |
| | Setting / addressing | E-Box Remote, RDM communicator | | |
| | Connectivity & Power Supply | E-Box Remote Remote Basic | | |
| PHYSICAL | Width x Height x Depth | 94 x 108 x 76 mm (3.7 x 4.2 x 2.99 in.) | | |
| | Weight | 0.6 kg 1.3 lbs | | |
| | Housing | High Pressure Die-Cast Aluminium Body Tempered Glass | | |
| | Finish Options | Standard Colour | Graphite Black RAL 9011 Grey Aluminium RAL 9007 Pure White RAL 9010 Sandstone RAL 1014 | |
| | | Standard Colour Harsh Environment | Graphite Black RAL 9011 Grey Aluminium RAL 9007 Pure White RAL 9010 Sandstone RAL 1014 | |
| | | Cost Option | Custom RAL | |
| | Cables / Connectivity | IN - 1 m cable with bare end - Other cable length - custom - Junction box - optional | IN | - Cable (5x20 AWG) 0.5 m, with Connector MM |
| | Mounting Method | Yoke or Yoke for Pole Adaptor | | |
| | Adjustability | +180° / -180° | | |
| | Protection Factor | IP67 (IP66 Junction Box) / Suitable For Wet Locations | | |
| | IK Rating | IK10 | | |
| Cooling System | Convection | | | |
| Operating Ambient Temperature | -20 °C / +50 °C (-4 °F / +122 °F) | | | |
| CERTIFICATION | Listings | ETL / cETL, CE, RoHS, UKCA | | |
| ACCESSORIES | Not Included Items | Re-enterable Electrical Insulating Resin | | |
| | | Land Spike for Calumma XS | | |
| | | Top Hat Calumma XS | | |
| | | Half Top Hat Calumma XS | | |
| | | Twin Wall Cover Calumma XS | | |
| | | Pole Adaptor (ø 102mm) (Yoke for Pole Adaptor Required) | | |

| | |
|--|---|
| | Junction Box Remote (1x Output) |
| | Junction Box Remote (4x Output) |
| IN (1 m cable with bare end version) | Cable UL20969 5x20 AWG (black or white) - Calumma XS input cable |
| | Cable SJTW 5x14 AWG (black or white) - main connection between Junction Boxes |
| | Leader Cable FF 0.1 m CE AD-05 |
| | Jumper Cable MM/FFCE AD-05 0.5 m 1 m 3 m 5 m |
| ACCESSORIES | T-connector FMF CE AB-AD-05 |
| | Waterproof Cap for M connector AD-05 |
| | Waterproof Cap for F connector AD-05 |
| IN (0.5 m cable 5x20 AWG with connector MM version) | Cable SJTW 5x14 AWG (black or white) - main connection between Junction Boxes |
| | Connection Box Remote 1x Out (14 AWG–20 AWG) |
| | Connection Box Remote 2x Out (14 AWG–14 AWG & 20 AWG) |
| | Field Installable Connector FF DC-05 (for 5x14 AWG) |
| | Field Installable Connector FM DC-05 (for 5x14 AWG) |

CONTROL AND CONNECTION OPTIONS

IN (1 m cable with bare-end)

- 1) SJTW 5x14 AWG (13053693), Standard 1 m with bare-end, black
or on request Cable SJTW 5x14 AWG (13053697), with bare-end, white
- 2) Junction Box Remote (4xOutput)
- 3) Cable UL 20969 5x20 AWG (13053481), black
or on request Cable UL 20969 5x20 AWG (13053696), white
- 4) Junction Box Remote (1x Output)

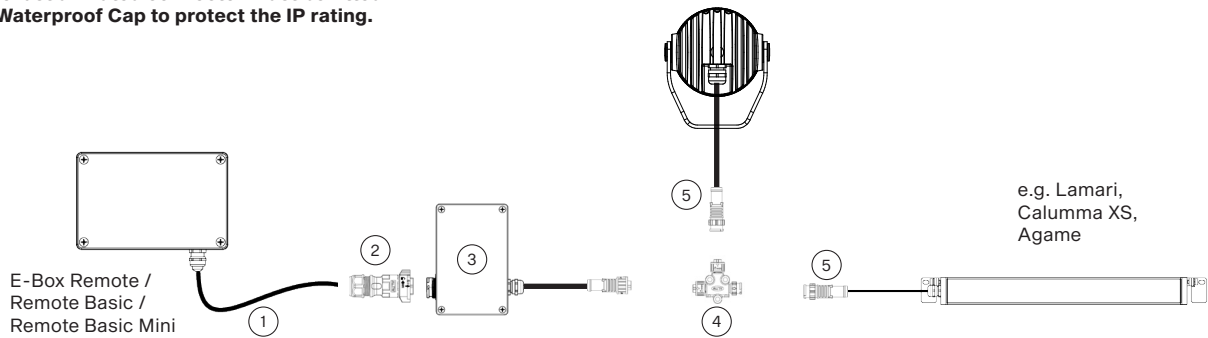


CONTROL AND CONNECTION OPTIONS

IN (0.5 m Cable 5x20 AWG with connector MM)

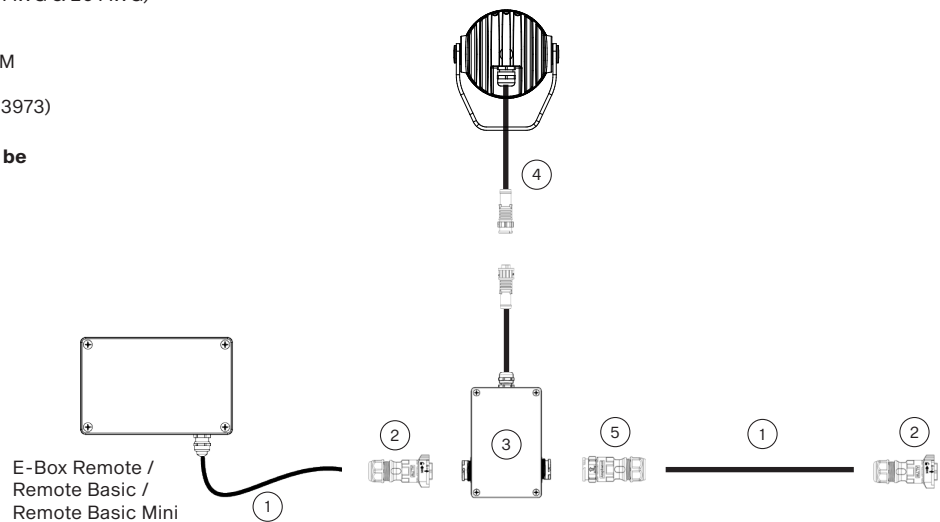
- 1) SJTW 5x14 AWG (13053693), Standard 1 m with bare-end, black or on request Cable SJTW 5x14 AWG (13053697), white
- 2) Field Installable Connector FF DC-05 (13053971)
- 3) Connection Box Remote 1x Out (14 AWG–20 AWG) Cable (5x20 AWG) 0.1 m, with Connector FF
- 4) T-connector FMF, (13053935)
- 5) Cable (5x20 AWG) 0.5 m, with Connector MM

Note: The last unmated connector must be fitted with an Waterproof Cap to protect the IP rating.



- 1) SJTW 5x14 AWG (13053693), Standard 1 m with bare-end, black or on request Cable SJTW 5x14 AWG (13053697), white
- 2) Field Installable Connector FF DC-05 (13053971)
- 3) Connection Box Remote 2x Out (14 AWG–14 AWG & 20 AWG) Cable (5x20 AWG) 0.1 m, with Connector FF
- 4) Cable (5x20 AWG) 0.5 m, with Connector MM
- 5) Field Installable Connector FM DC-05 (13053973)

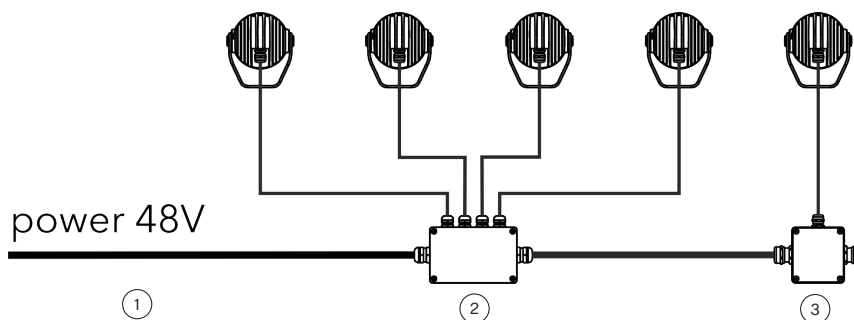
Note: The last unmated connector must be fitted with an Waterproof Cap to protect the IP rating.



CONTROL AND CONNECTION OPTIONS

ON/OFF

- 1) Cable UL 20969 5x20 AWG (13053481), black
or on request Cable UL 20969 5x20 AWG (13053696), white
- 2) Junction Box Remote (4x Output)
- 3) Junction Box Remote (1x Output)



CONNECTIVITY

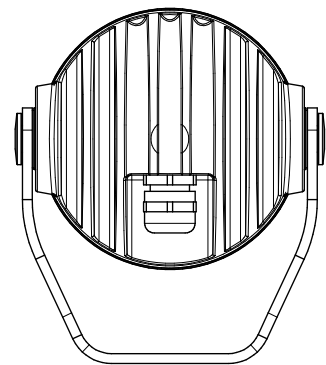
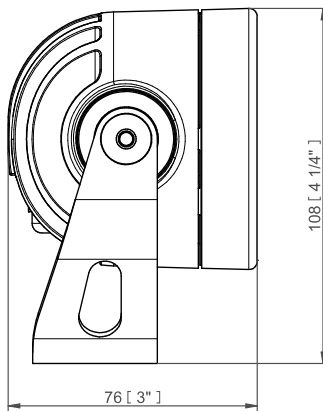
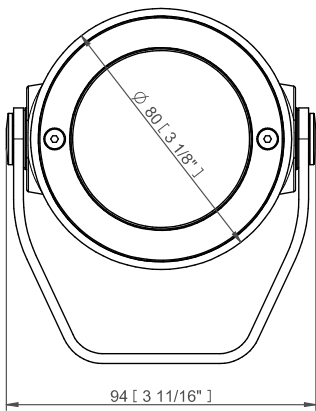
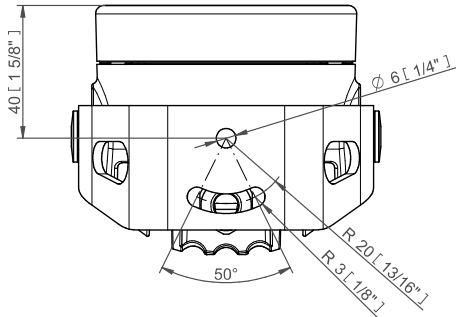
Following table shows maximum connected Calummas XS SC in a row with respect of cable length.

| Cable length | Per E-Box Remote | Per 1 LED output |
|---------------------------------|------------------|------------------|
| 50 m (max per 1 output) | 40 pcs | 20 pcs |
| 100 m (total length, 2x output) | | 20 pcs |

PROJECTED AREA

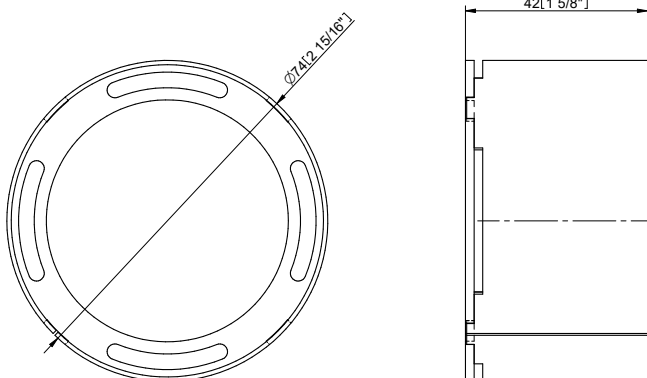
| | Front (rear) - m ² | Front (rear) ft ² | Side - m ² | Side - ft ² | Top - m ² | Top - ft ² |
|-------------------|-------------------------------|------------------------------|-----------------------|------------------------|----------------------|-----------------------|
| Calumma XS | 0,006 | 0,065 | 0,007 | 0,070 | 0,006 | 0,065 |
| with Top Hat | 0,006 | 0,065 | 0,014 | 0,151 | 0,014 | 0,151 |
| with Half Top Hat | 0,006 | 0,065 | 0,008 | 0,082 | 0,014 | 0,151 |

DIMENSIONS

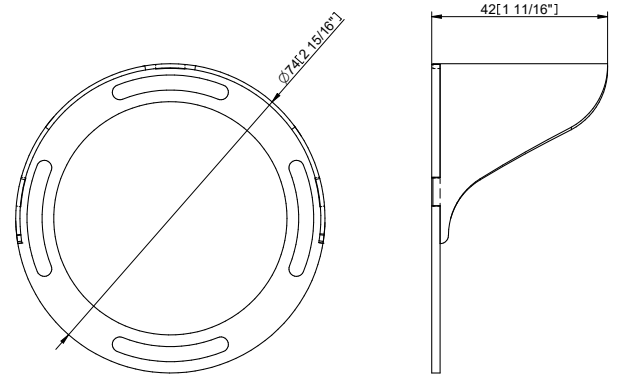


ACCESSORIES

Top Hat

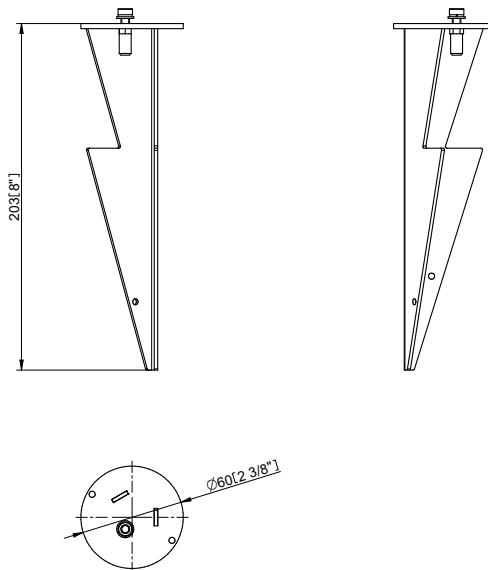


Half Top Hat



ACCESSORIES

Land Spike for Calumma XS



Pole Adaptor (ø 102mm, Yoke for pole Adaptor Required / PA)

Example of ordering code: Calumma XS SC RGBCW 15° PA

