

CALUMMA™ S SC

Featuring an optical design using nineteen high efficacy singlechip LEDs and available with optional LED colour variants and various beam angles, the small-sized Calumma S SC luminaire creates powerful and beautiful light output for a spot, accent or flood lighting solution. Its durable housing is built to withstand any exterior conditions, and its special finish for harsh and marine environments provides an exceptional outdoor LED luminaire in an elegant design. Complemented by wide range of accessories, control protocols and connection options, this luminaire is an effective and versatile unit to get the most out of architectural lighting applications.



KEY FEATURES

Lumen output & Light source

Luminaire with nineteen high-power, single-chip LEDs provides up to 1958 lumen output (@10°, RGBW). Multiple LED colour variants. No light spills. Well homogenised light output with great efficacy up to 65 lm/w.

Design & Durability

Compact, durable and stylish housing made of high-pressure die cast aluminium. IP67 and IK10 certification; suitable for marine applications (Harsh Environment Finish required) and traffic applications. Supported with a 5 year warranty.

Flexibility

Exceptional outdoor or indoor LED luminaire with a wide range of accessories, custom colour finishes, multiple light output variants and beam angles.

Connectivity

Calumma S SC can be connected via an E-Box for almost effortless installation. DMX512+RDM and wide range of Ethernet protocols are available for E-Box control. DMX/RDM or DALI 2 interface protocols facilitate standard connection options.

COLOURS

STANDARD



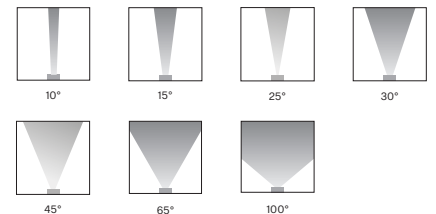
UPON REQUEST



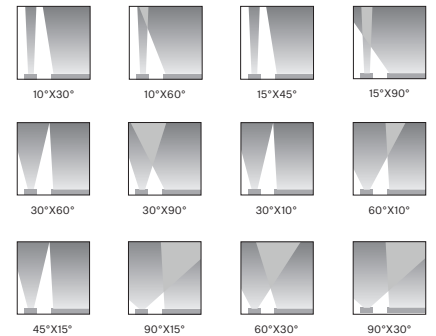
AVAILABLE COLOURS FOR CUSTOM SETUP

OPTIC OPTIONS

SYMMETRICAL



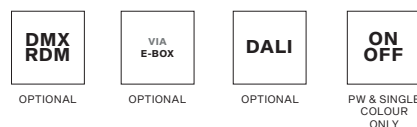
BI-SYMMETRICAL



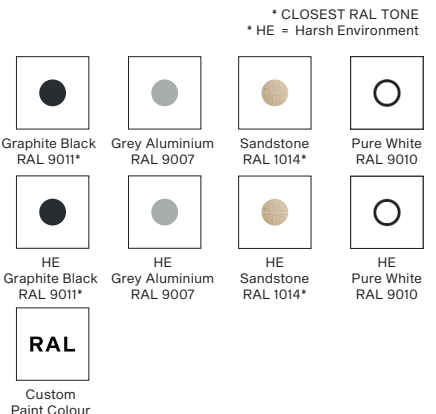
STANDARD & SPECIFICATION



CONTROL & PROTOCOLS



FINISH OPTIONS



* CLOSEST RAL TONE
* HE = Harsh Environment

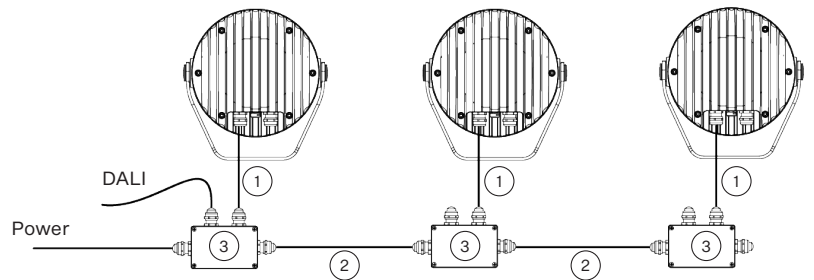
SPECIFICATION

ELECTRICAL	Input Voltage	120–277 V AC 50/60 Hz (US)		
	Typical Power Consumption	30 W +/-10 %		
OPTICAL	Light Source	High Power Single Chip LEDs		
	Colour Variants	RGBW (W - 6500 K) RGBA Pure White (W - 3000 K) Tuneable White (2200–3000 K) Custom Setup On Request: Red, Green, Blue, Amber, 2200 K, 2700 K, 3000 K, 4000 K, 6500 K		
	Beam Angle	10° 15° 25° 30° 45° 65° 100° 10°x30° 30°x10° 10°x60° 60°x10° 15°x45° 45°x 15° 15°x90° 90°x15° 30°x60° 60°x30° 30°x90° 90°x30°		
	Lumen Output Delivered	1958 lm (@ 10°, RGBW)		
	Projected Lumen Maintenance	L90B10 >90.000 hrs, Ta = 25°C / 77°F		
	CONTROL	Interface Protocol	DMX/RDM, DALI 2 or ON/OFF (PW & single color only)	
DALI 2 Device Type		DT 8		
Control System		Third Party DMX Controllers		
Operating Modes		DMX, Stand-alone		
Settings / Addressing		E-Box, RDM communicator		
Power Supply		Integrated		
PHYSICAL	Width x Height x Depth	189 x 196 x 119 mm (7.4 x 7.7 x 4.7 in.)		
	Weight	3.68 kg 8.11 lbs		
	Housing	High Pressure Die-Cast Aluminium Body Tempered Glass		
	Finish Options	Standard Colour	Graphite Black RAL 9011 Grey Aluminium RAL 9007 Pure White RAL 9010 Sandstone RAL 1014	
		Standard Colour Harsh Environment	Graphite Black RAL 9011 Grey Aluminium RAL 9007 Pure White RAL 9010 Sandstone RAL 1014	
		Cost Option	Custom RAL	
	Cables / Connections	IN (for DMX, DALI):	- 1 m cable with bare end - Other cable length - custom - Junction box - optional	
	Mounting Method	Yoke or Yoke for Pole Adaptor		
	Adjustability	+180° / -180°		
	Protection Factor	IP67 / Suitable For Wet Locations		
	IK Rating	IK10		
Cooling System	Convection			
Operating Ambient Temperature	-20°C / +50°C (-4°F / +122°F)			
CERTIFICATION	Listings	ETL / cETL, CE, RoHS, UKCA		
ACCESSORIES	Not Included Items	Junction Box for Calumma S-XL / Eminere (CE or US)		
		Re-enterable Electrical Insulating Resin		
		Optical Demo Set for Calumma S (for demo purposes)		
		Outdoor Foil Holder for Calumma S „OFF“ version only (for permanent installation)		
		Optical Foil Set for Outdoor Foil Holder Calumma S		
		Land Spike for Calumma S		
		Top Hat Calumma S		
		Half Top Hat Calumma S		
		Floor Stand for Calumma S, M		
		Tenon Adaptor		
Pole Adaptor (ø 102mm) (Yoke for Pole Adaptor Required)				

CONTROL AND CONNECTION OPTIONS - CE

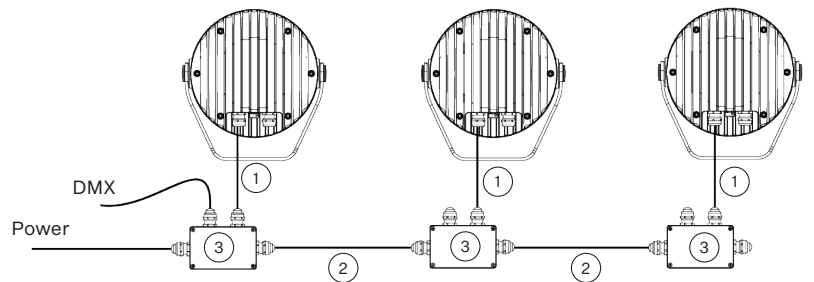
DALI

- 1) Hybrid Cable (13053693) Standard 1 m with bare-end, black or on request Hybrid cable (13053697), 1 m with bare-end, white
- 2) Hybrid Cable (13053693) Standard 1 m with bare-end, black or on request Hybrid cable (13053697), 1 m with bare-end, white or Scope of Others
- 3) Junction Box



DMX

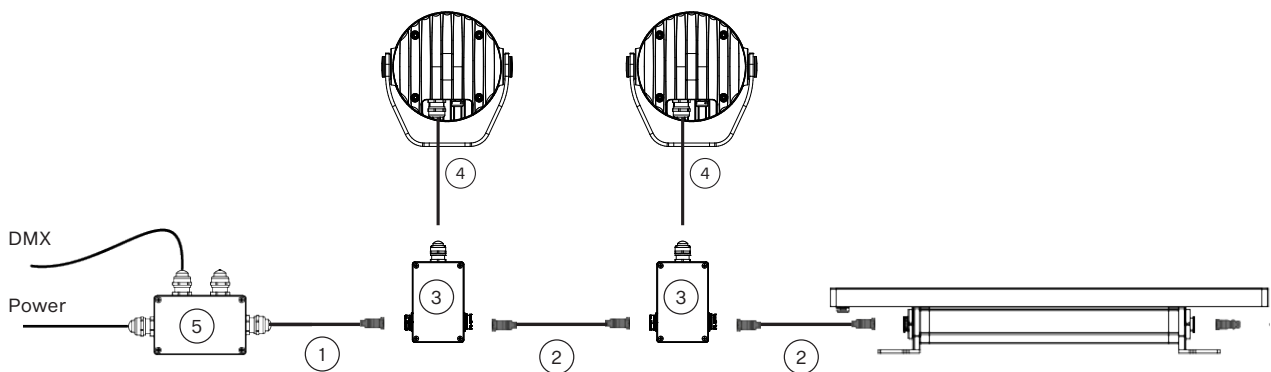
- 1) Flamar 3x16 AWG + 1x(2x 24 AWG) Standard 1 m with bare-end, (13051508), black or Hybrid Cable HYB-5731ZH LSZH (13053694), white
- 2) Flamar 3x16 AWG + 1x(2x24 AWG), (13051508), black or Hybrid Cable HYB-5731ZH LSZH (13053694), white or Scope of Others
- 3) Junction Box



DMX WITH JUNCTION BOX FOR CALUMMA S / EMINERE (CE)

- 1) Leader Cables FF - 2 | 5 | 10 | 25 | 50 m
- 2) Jumper Cables FF/FM - 0,25 | 0,5 | 1 | 2 | 3 | 5 | 10 m
- 3) Junction Box for Calumma S-XL / Eminere CE (10981268 for RAL9011)
- 4) Flamar 3x16 AWG + 1x(2x24 AWG) Standard 1 m with bare-end (13051508), black or Hybrid Cable HYB-5731ZH LSZH (13053694), white
- 5) Junction Box

Note: The last unplugged connector must be fitted with a Waterproof Cap to protect the IP rating.

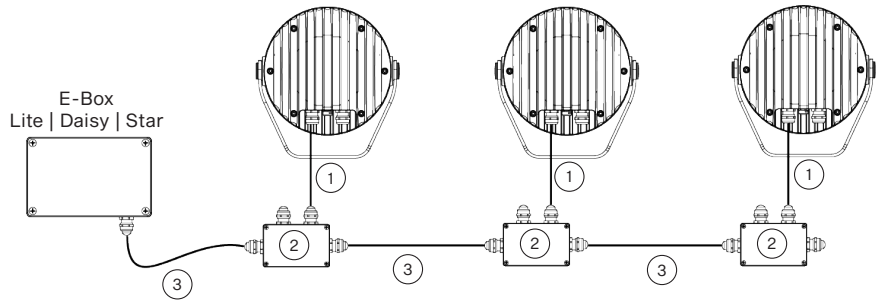


CONTROL AND CONNECTION OPTIONS - CE

DMX or ETHERNET via E-BOX

- 1) Flamar 3x16 AWG + 1x(2x24 AWG) - (13051508), Standard 1 m with bare-end, black or HYB-5731ZH LSZH (13053694), Hybrid Cable, white
- 2) Junction Box
- 3) Flamar 3x16 AWG + 1x(2x24 AWG) - (13051508), black or HYB-5731ZH LSZH (13053694), Hybrid Cable, white or Scope of Others

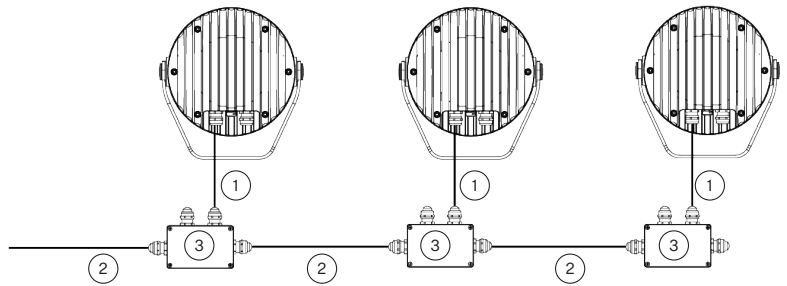
Note: This type of connection is available for S, M, L, and XL versions. E-Box has to be in Pass Through mode only.



ON/OFF

- 1) H07BB-F 3G 1.5 (13050919), 3-cored cable, standard 1 m with bare-end, black
- 2) H07BB-F 3G 1.5 (13050919), 3-cored cable, standard 1 m with bare-end, black or Scope of Others
- 3) Junction Box or Scope of Others

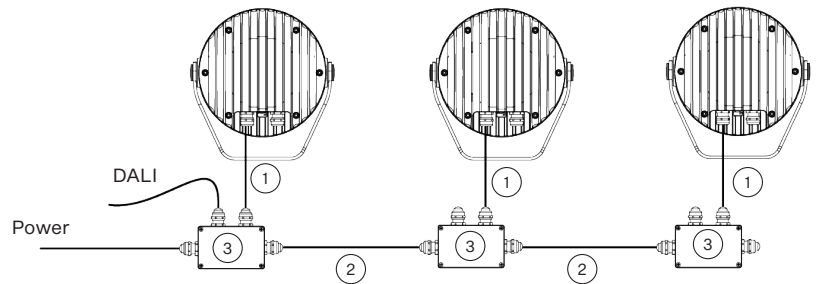
Note: This type of connection is available for Pure White and single color version only. Non dimmable.



CONTROL AND CONNECTION OPTIONS - US

DALI

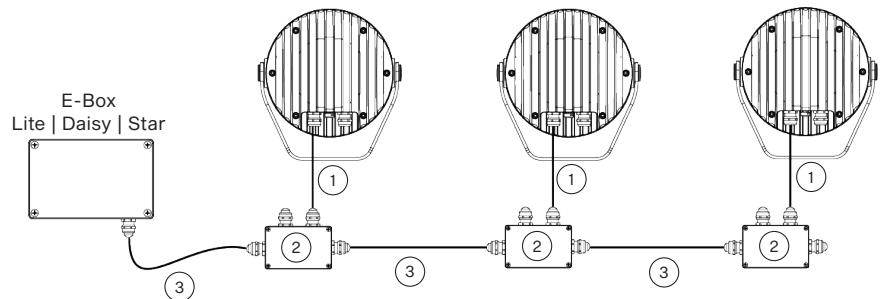
- 1) SJTW 5x14 AWG (13053693), standard 1 m with bare-end, black or Cable SJTW 5x14 AWG (13053697), white
- 2) SJTW 5x14 AWG (13053693), black or Cable SJTW 5x14AWG (13053697), white or Scope of Others
- 3) Junction Box



DMX or ETHERNET via E-BOX

- 1) SJTW 6x14 AWG (13053480) Standard 1 m with bare-end, black or Cable SJTW 6x14 AWG (13053695), white
- 2) Junction Box
- 3) SJTW 6x14 AWG (13053480), black or Cable SJTW 6x14 AWG (13053695), white or Scope of Others

Note: This type of connection is available for S, M, L, and XL versions. E-Box has to be in Pass Through mode only.

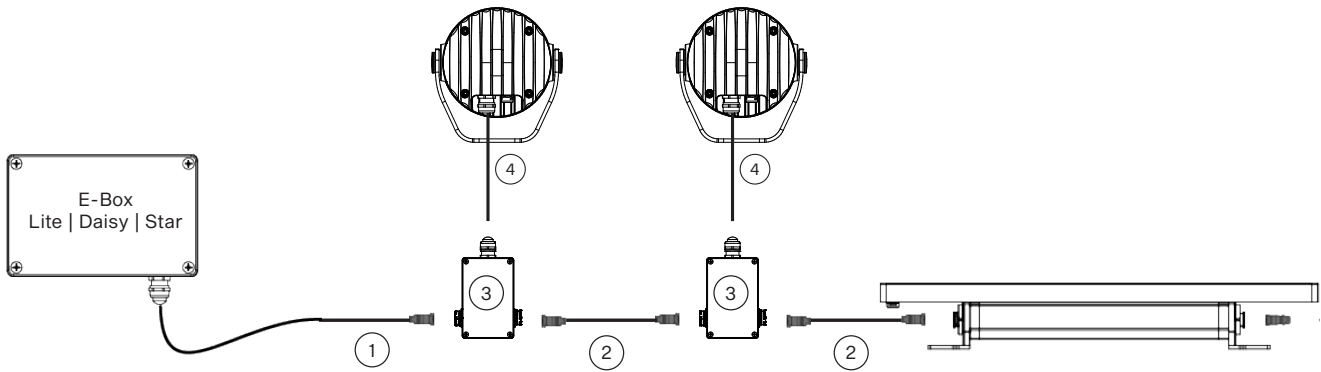


CONTROL AND CONNECTION OPTIONS - US

DMX WITH JUNCTION BOX FOR CALUMMA S / EMINERE (US)

- 1) Leader Cables FF - 2 | 5 | 10 | 25 | 50 m
- 2) Jumper Cables FF/FM - 0,25 | 0,5 | 1 | 2 | 3 | 5 | 10 m
- 3) Junction Box for Calumma S-XL / Eminere US (10981269 for RAL9011)
- 4) SJTW 6x14 AWG (13053480), standard 1 m with bare-end, black or Cable SJTW 6x 14AWG (13053695), white

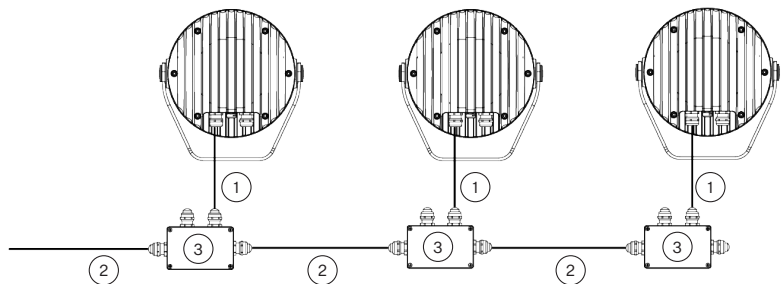
Note: The last unplugged connector must be fitted with a Waterproof Cap to protect the IP rating.



ON/OFF

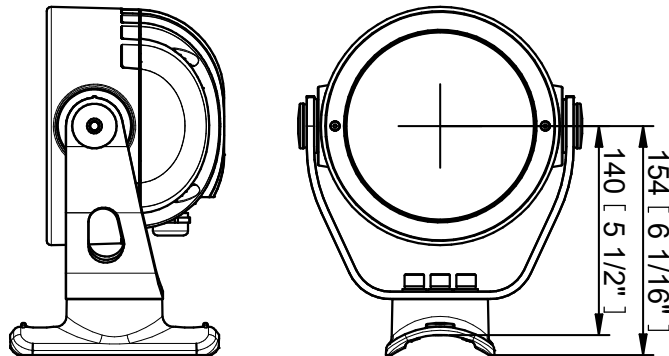
- 1) SEOW power 3x16 AWG (13051558-01), 3-cored cable, standard 1 m with bare-end, black
- 2) SEOW power 3x16 AWG (13051558-01), 3-cored cable, standard 1 m with bare-end, black or Scope of Others
- 3) Junction Box or Scope of Others

Note: This type of connection is available for Pure White & single color version only. Non dimmable.



Yoke for Pole Adaptor (with Pole Adaptor / PA)

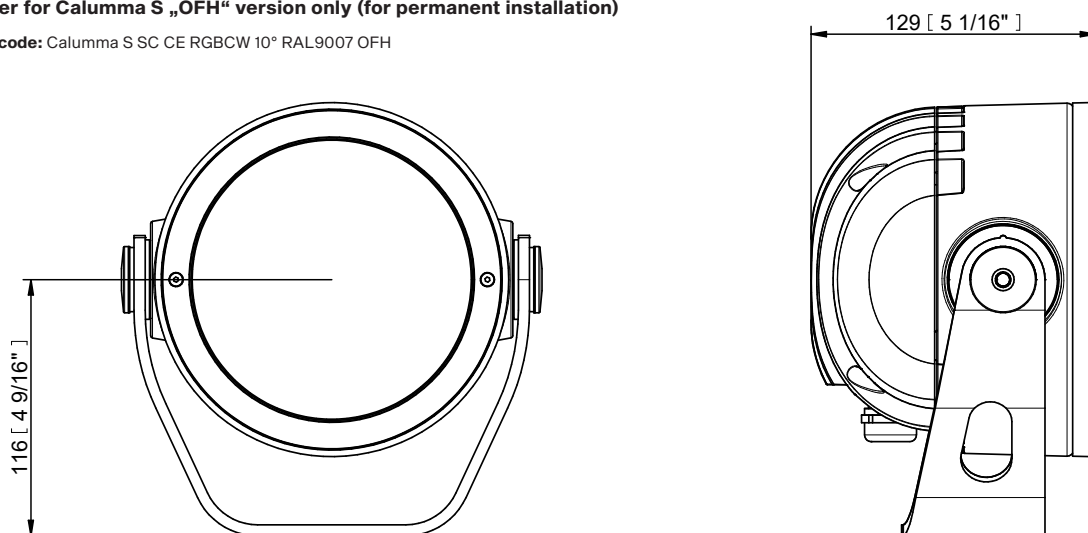
Example of ordering code: Calumma S SC RGBCW 15° PA



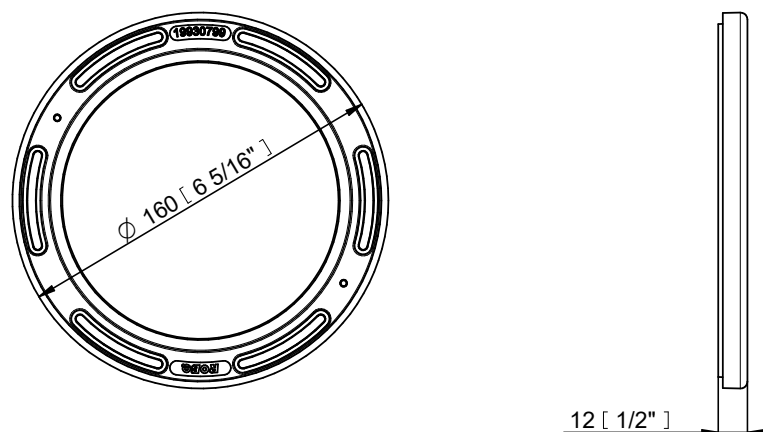
ACCESSORIES

Outdoor Foil Holder for Calumma S „OFH“ version only (for permanent installation)

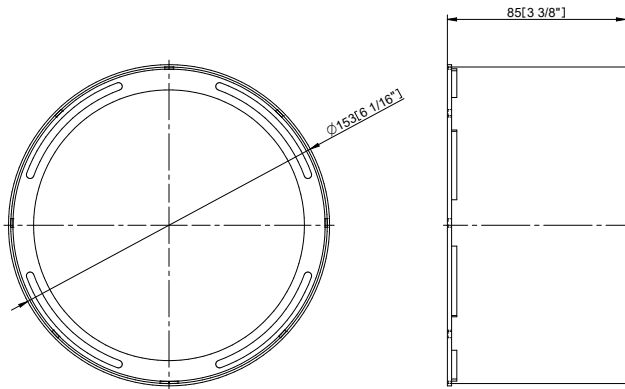
Example of ordering code: Calumma S SC CE RGBCW 10° RAL9007 OFH



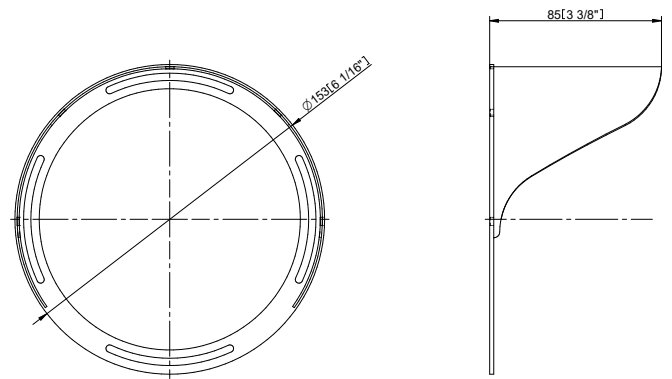
Outdoor Foil Holder for Calumma S



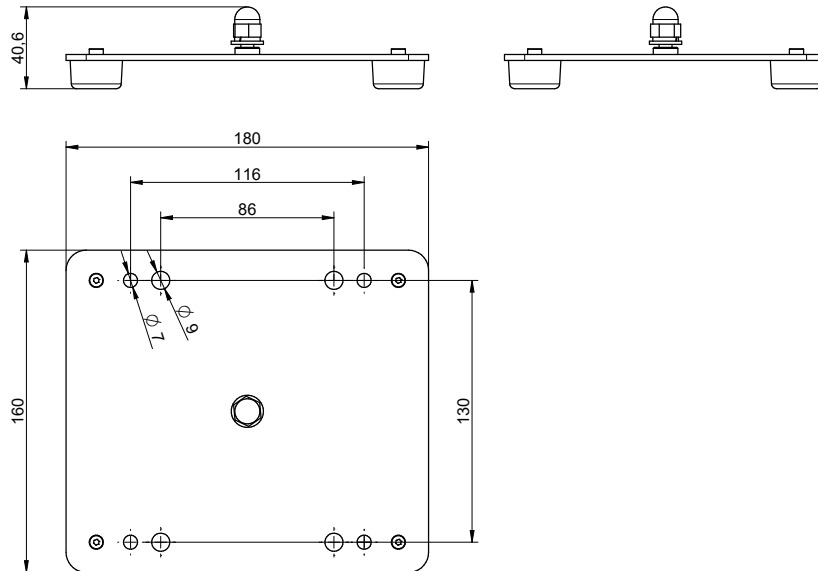
Top Hat



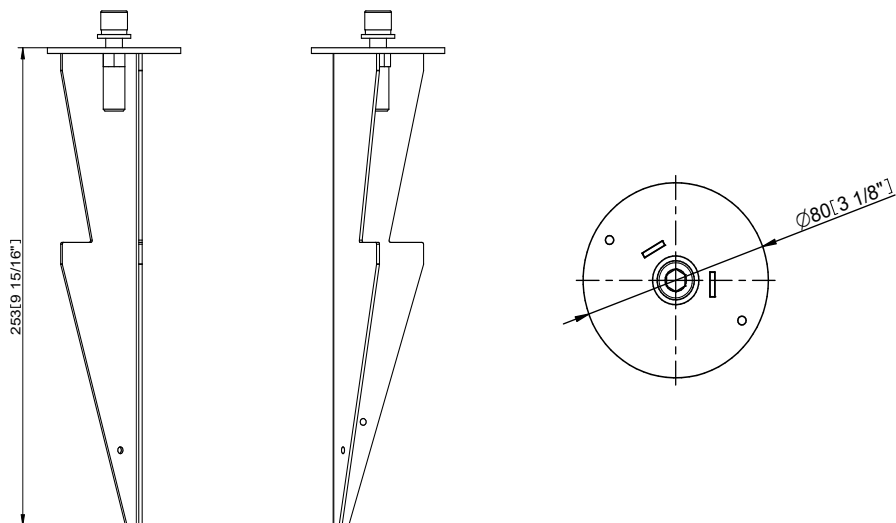
Half Top Hat



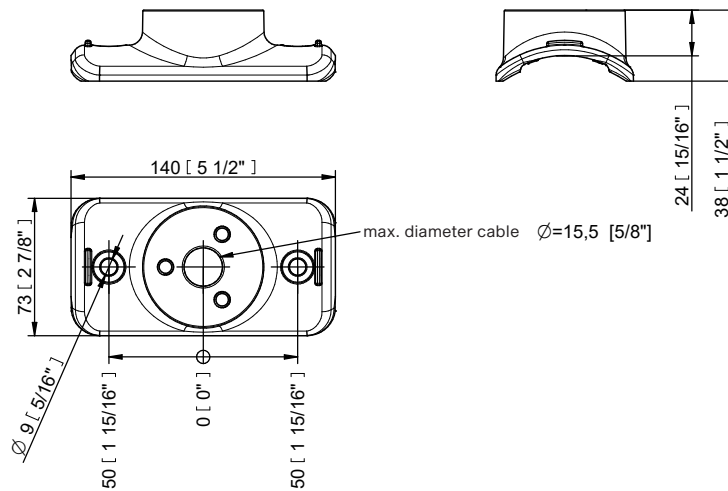
Floor Stand



Land Spike for Calumma (S, M, L, XL)



Pole Adaptor



PHOTOMETRIC OVERVIEW

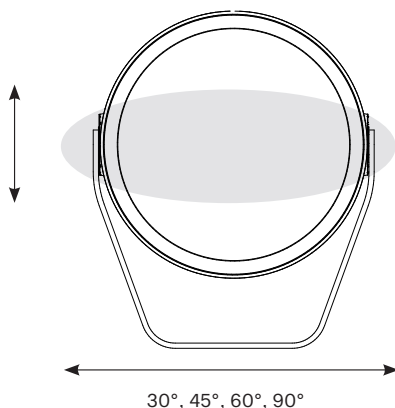
	Lumen Output (lm)		
	RGBCW (W 6500 K)	RGBA	WW (W 3000 K)
10°	1958	1373	2424
15°	1784	1251	2208
25°	1744	1223	2159
30°	1712	1200	2119
45°	1748	1226	2164
65°	1713	1201	2120
100°	1735	1217	2148
10°x30°, 30°x10°	1723	1208	2133
10°x60°, 60°x10°	1714	1202	2122
15°x45°, 45°x15°	1789	1254	2215
30°x60°, 60°x30°	1704	1195	2109
30°x90°, 90°x30°	1606	1126	1988
15°x90°, 90°x15°	1687	1183	2088

BI-SYMMETRICAL BEAM ANGLES

Bi-symmetrical:

10°x30°,
10°x60°,
15°x45°,
15°x90°,
30°x60°,
30°x90°

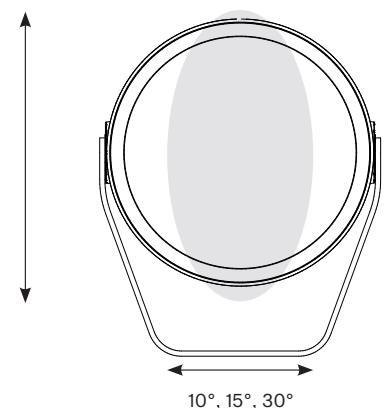
10°, 15°, 30°



Bi-symmetrical:

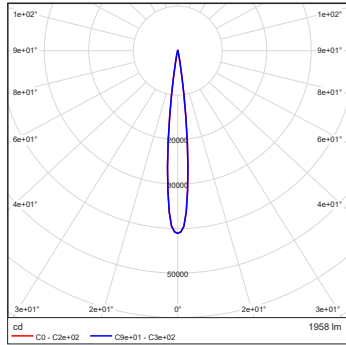
30°x10°,
60°x10°,
45°x15°,
90°x15°,
60°x30°,
90°x30°

30°, 45°, 60°, 90°

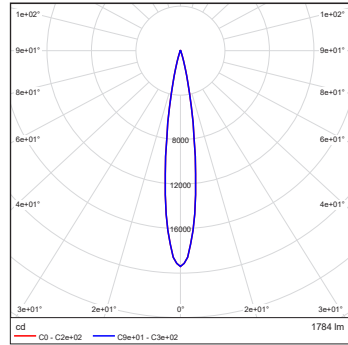


PHOTOMETRIC DATA

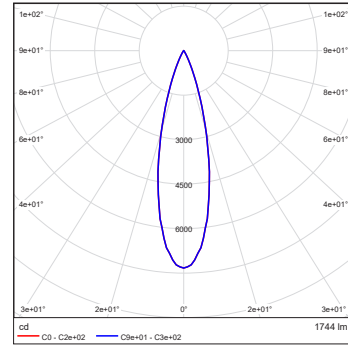
Calumma S SC RGBW 6500K 10dg



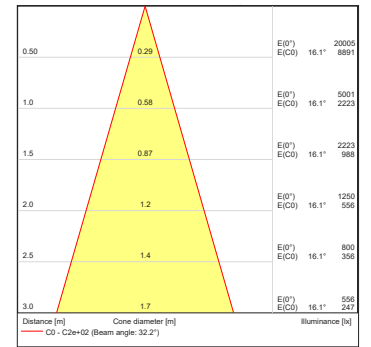
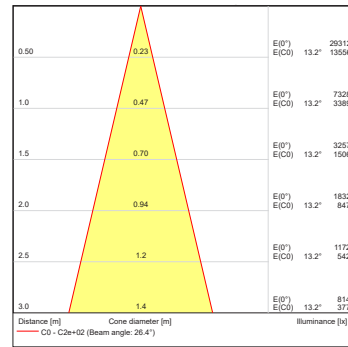
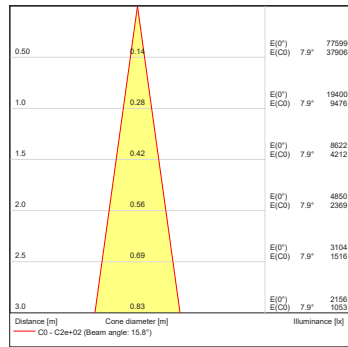
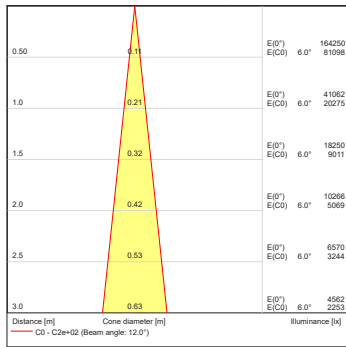
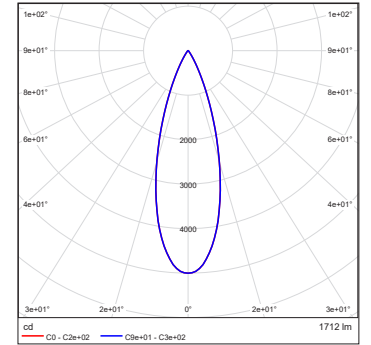
Calumma S SC RGBW 6500K 15dg



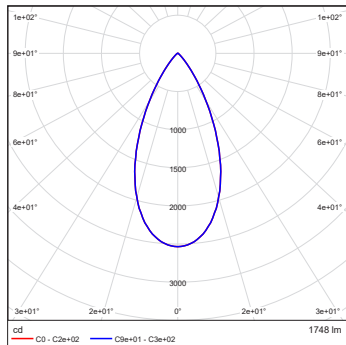
Calumma S SC RGBW 6500K 25dg



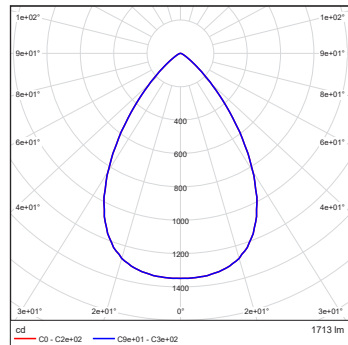
Calumma S SC RGBW 6500K 30dg



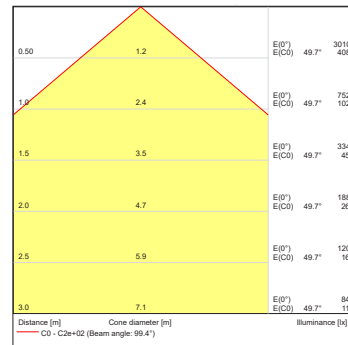
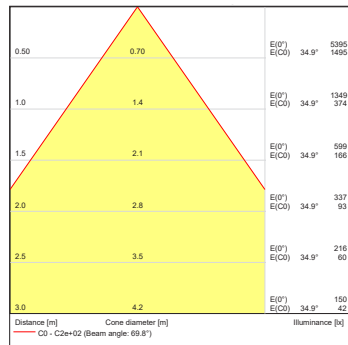
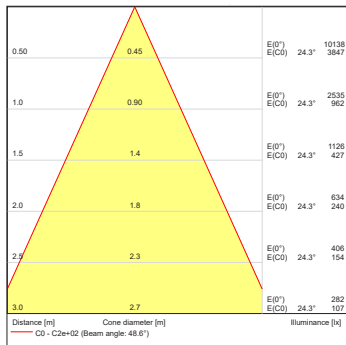
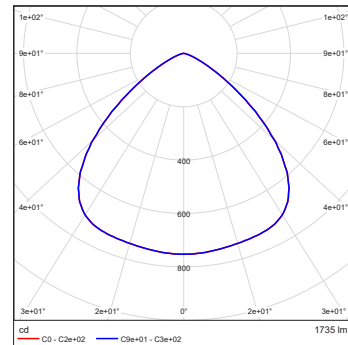
Calumma S SC RGBW 6500K 45dg



Calumma S SC RGBW 6500K 65dg

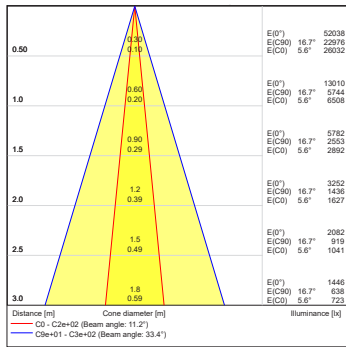
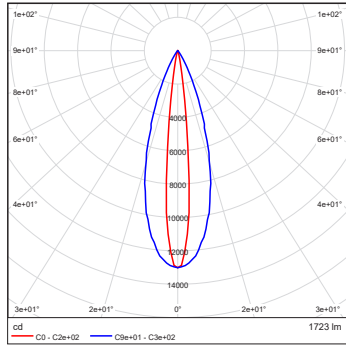


Calumma S SC RGBW 6500K 100dg

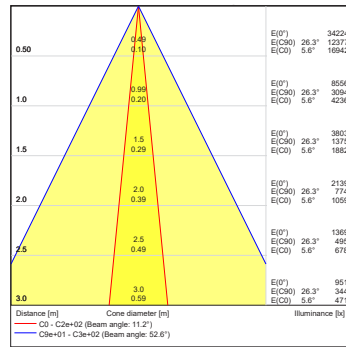
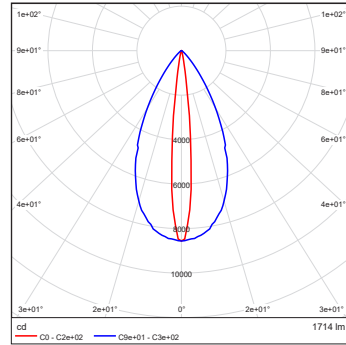


PHOTOMETRIC DATA

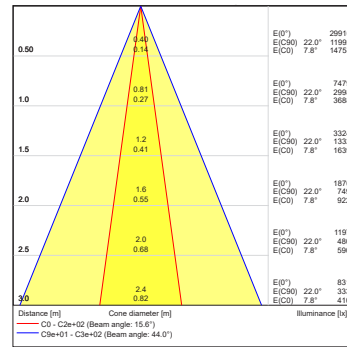
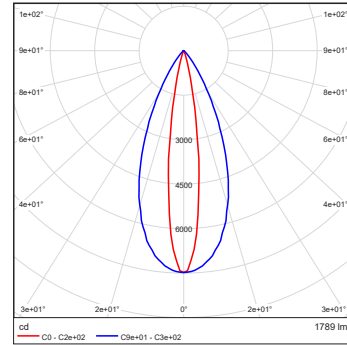
Calumma S SC RGBW 6500K
10x30dg



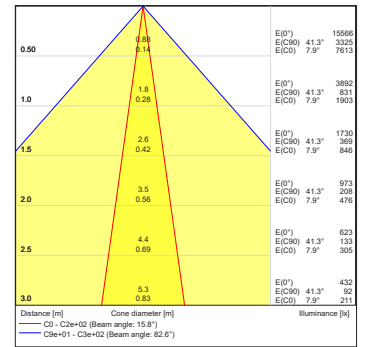
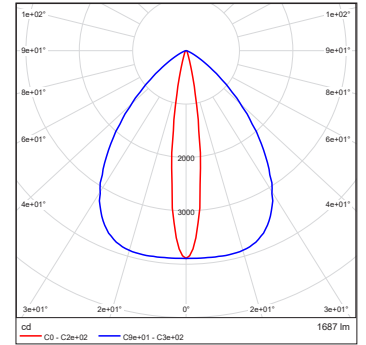
Calumma S SC RGBW 6500K
10x60dg



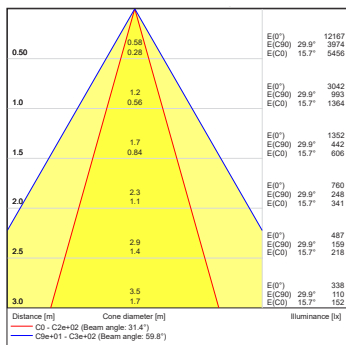
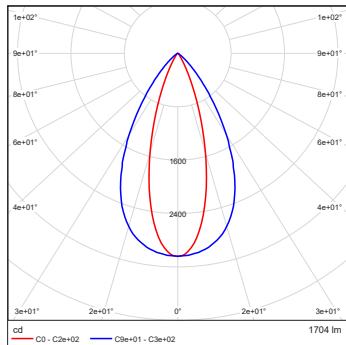
Calumma S SC RGBW 6500K 15x45dg



Calumma S SC RGBW 6500K 15x90dg



Calumma S SC RGBW 6500K
30x60dg



Calumma S SC RGBW 6500K
30x90dg

