

CALUMMA™ S MC

Featuring an optical design using three high efficacy multi-chip LEDs and available with optional LED colour variants and various beam angles, the small-sized Calumma S MC luminaire creates powerful and beautiful light output for a spot, accent or flood lighting solution. Its durable housing is built to withstand any exterior conditions, and its special finish for harsh and marine environments provides an exceptional outdoor LED luminaire in an elegant design. Complemented by a wide range of accessories, control protocols and connection options, this luminaire is an effective and versatile tool to get the most out of architectural lighting applications.



KEY FEATURES

Lumen output & Light source

Luminaire with three high-power, multi-chip LEDs provides up to 998 lumen output. Multiple LED colour variants. No light spills. Perfectly homogenised light output with efficacy up to 33 lm/w.

Design & Durability

Compact, durable and stylish housing made of high-pressure die cast aluminium. IP67 and IK10 certification; suitable for marine applications (Harsh Environment Finish required) and traffic applications. Supported with a 5 year warranty.

Flexibility

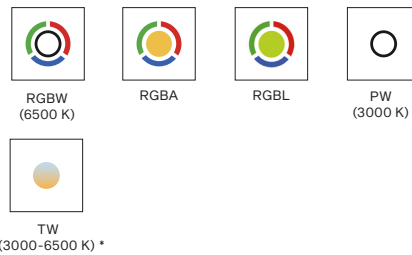
Exceptional outdoor or indoor LED luminaire with a wide range of accessories, custom colour finishes, multiple light output variants and beam angles.

Connectivity

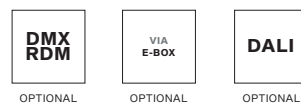
Calumma S MC can be connected via an E-Box for almost effortless installation. DMX512+RDM and wide range of Ethernet protocols are available for E-Box control. DMX/RDM or DALI 2 interface protocols facilitate standard connection options.

COLOURS

* UPON REQUEST



CONTROL & PROTOCOLS



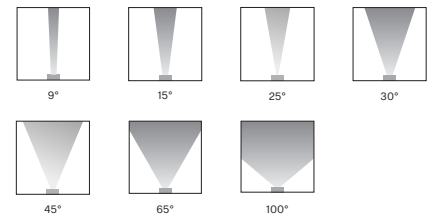
FINISH OPTIONS

* CLOSEST RAL TONE
* HE = Harsh Environment

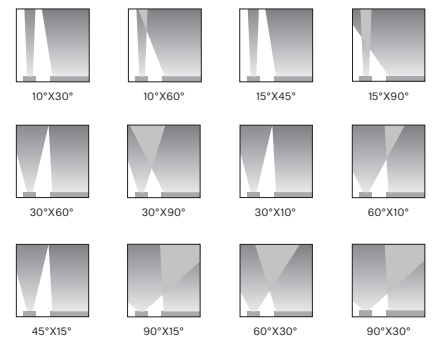


OPTIC OPTIONS

SYMMETRICAL



BI-SYMMETRICAL



STANDARD & SPECIFICATION



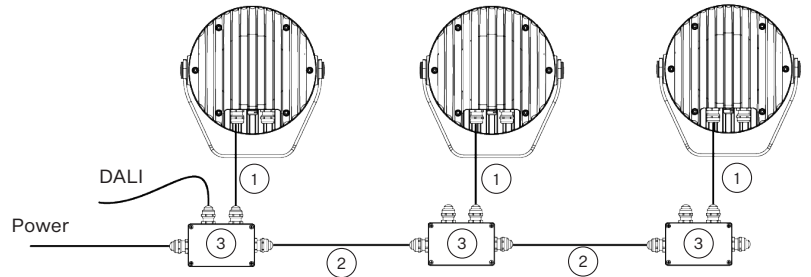
SPECIFICATION

ELECTRICAL	Input Voltage	120–277 V AC 50/60 Hz (US)		
	Typical Power Consumption	30 W +/-10 %		
OPTICAL	Light Source	High Power Multichip LEDs		
	Colour Variants	RGBW (W - 6500 K) RGBA RGBL Pure White (W - 3000 K) On Request: Tuneable White (3000–6500 K)		
	Beam Angle	9° 15° 25° 30° 45° 65° 100° 10°x30° 30°x10° 10°x60° 60°x10° 15°x45° 45°x15° 15°x90° 90°x15° 30°x60° 60°x30° 30°x90° 90°x30°		
	Lumen Output Delivered	998 lm (@9° RGBW)		
	Projected Lumen Maintenance	L90B10 >90.000 hrs, Ta = 25°C / 77°F		
	CONTROL	Interface Protocol	DMX/RDM, DALI 2 (DALI Device Type: DT 8)	
Control System		Third Party DMX Controllers		
Operating Modes		DMX, Stand-alone		
Settings / Addressing		E-Box, RDM communicator		
Power Supply		Integrated		
PHYSICAL	Width x Height x Depth	189 x 196 x 119 mm (7.4 x 7.7 x 4.7 in.)		
	Weight	3.44 kg 7.6 lbs		
	Housing	High Pressure Die-Cast Aluminium Body Tempered Glass		
	Finish Options	Standard Colour	Graphite Black RAL 9011 Grey Aluminium RAL 9007 Pure White RAL 9010 Sandstone RAL 1014	
		Standard Colour Harsh Environment	Graphite Black RAL 9011 Grey Aluminium RAL 9007 Pure White RAL 9010 Sandstone RAL 1014	
		Cost Option	Custom RAL	
	Cables / Connections	IN (for DMX, DALI):	- 1 m cable with bare end - Other cable length - custom - Junction box - optional	
	Mounting Method	Yoke or Yoke for Pole Adaptor		
	Adjustability	+180° / -180°		
	Protection Factor	IP67 / Suitable For Wet Locations		
	IK Rating	IK10		
Cooling System	Convection			
Operating Ambient Temperature	-20 °C / +50 °C (-4 °F / +122 °F)			
CERTIFICATION	Listings	ETL / cETL, CE, RoHS, UKCA		
ACCESSORIES	Not Included Items	Junction Box for Calumma S-XL / Eminere (CE or US)		
		Re-enterable Electrical Insulating Resin		
		Optical Demo Set for Calumma S (for demo purposes)		
		Outdoor Foil Holder for Calumma S „OFH“ version only (for permanent installation)		
		Optical Foil Set for Outdoor Foil Holder Calumma S		
		Land Spike for Calumma S		
		Top Hat Calumma S		
		Half Top Hat Calumma S		
Floor Stand for Calumma S, M				
Pole Adaptor (ø 102 mm) (Yoke for Pole Adaptor Required)				

CONTROL AND CONNECTION OPTIONS - CE

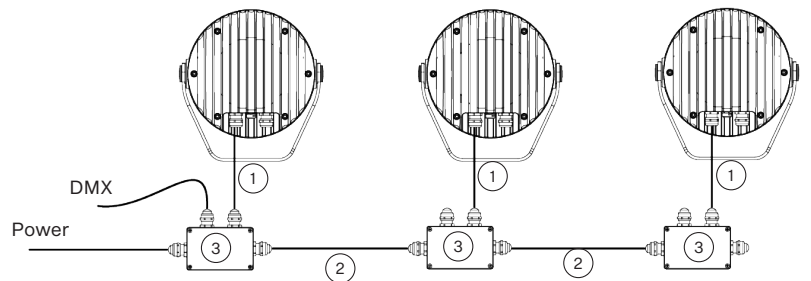
DALI

- 1) Hybrid Cable (13053693) Standard 1 m with bare-end, black or on request Hybrid Cable (13053697), 1 m with bare-end, white
- 2) Hybrid Cable (13053693) Standard 1 m with bare-end, black, or on request Hybrid Cable (13053697), 1 m with bare-end, white or Scope of Others
- 3) Junction Box



DMX

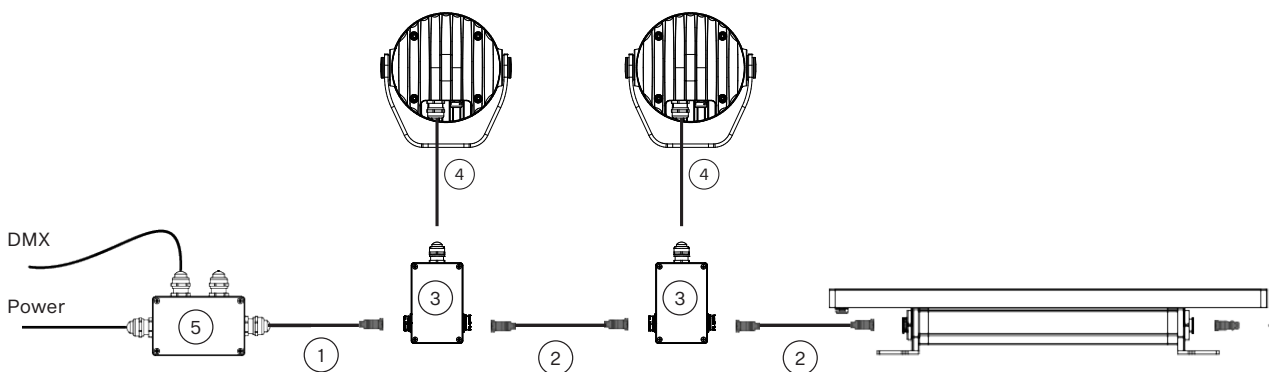
- 1) Flamar 3x16 AWG + 1x(2x24 AWG) Standard 1 m with bare-end, (13051508), black or Hybrid Cable HYB-5731ZH LSZH (13053694), white
- 2) Flamar 3x16 AWG + 1x(2x24 AWG), (13051508), black or Hybrid Cable HYB-5731ZH LSZH (13053694), white or Scope of Others
- 3) Junction Box



DMX WITH JUNCTION BOX FOR CALUMMA S/ EMINERE (CE)

- 1) Leader Cables FF - 2 | 5 | 10 | 25 | 50 m
- 2) Jumper Cables FF/FM - 0.25 | 0.5 | 1 | 2 | 3 | 5 | 10 m
- 3) Junction Box for Calumma S-XL / Eminere CE (10981268 for RAL9011)
- 4) Flamar 3x16 AWG + 1x(2x24 AWG) Standard 1 m with bare-end (13051508), black or Hybrid Cable HYB-5731ZH LSZH (13053694), white
- 5) Junction Box

Note: The last unplugged connector must be fitted with a Waterproof Cap to protect the IP rating.

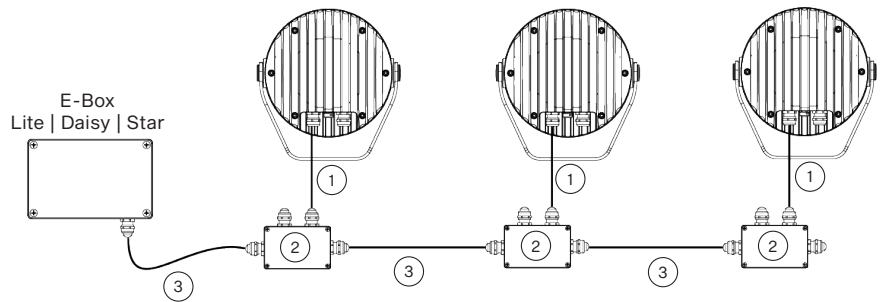


CONTROL AND CONNECTION OPTIONS - CE

DMX or ETHERNET via E-BOX

- 1) Flamar 3x16 AWG + 1x(2x24 AWG) - (13051508), Standard 1 m with bare-end, black or HYB-5731ZH LSZH (13053694), Hybrid Cable, white
- 2) Junction Box
- 3) Flamar 3x16 AWG + 1x(2x24 AWG) - (13051508), black or HYB-5731ZH LSZH (13053694), Hybrid Cable, white or Scope of Others

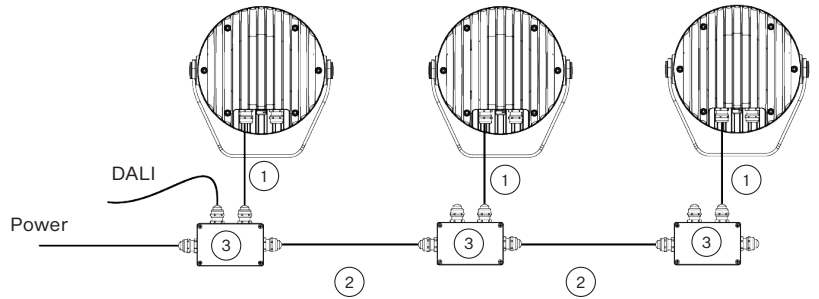
Note: This type of connection is available for S, M, L, and XL versions. E-Box has to be in Pass Through mode only.



CONTROL AND CONNECTION OPTIONS - US

DALI

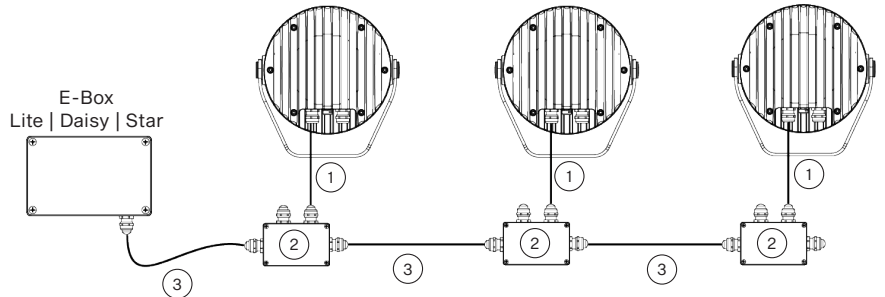
- 1) SJTW 5x14 AWG (13053693), Standard 1 m with bare-end, black or Cable SJTW 5x14 AWG (13053697), white
- 2) SJTW 5x14 AWG (13053693), black or Cable SJTW 5x14 AWG (13053697), white or Scope of Others
- 3) Junction Box



DMX or ETHERNET via E-BOX

- 1) SJTW 6x14 AWG (13053480) Standard 1 m with bare-end, black or Cable SJTW 6x14 AWG (13053695), white
- 2) Junction Box
- 3) SJTW 6x14 AWG (13053480), black or Cable SJTW 6x14 AWG (13053695), white or Scope of Others

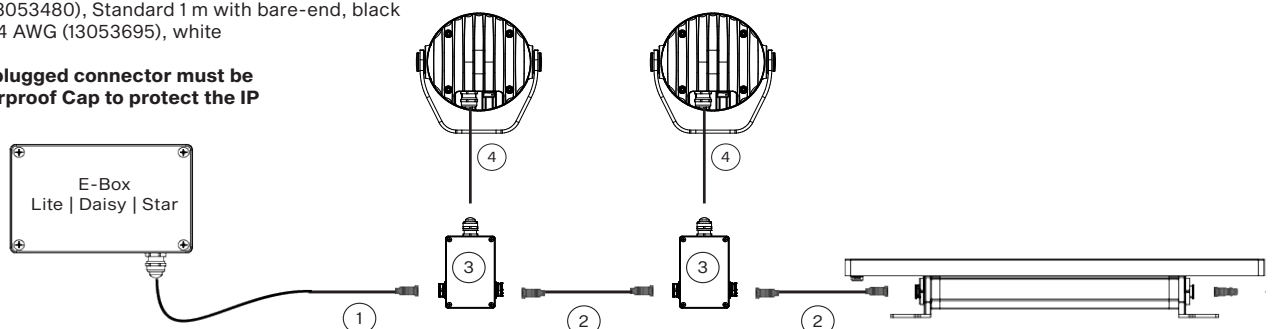
Note: This type of connection is available for S, M, L, and XL versions. E-Box has to be in Pass Through mode only.



DMX WITH JUNCTION BOX FOR CALUMMA S / EMINERE (US)

- 1) Leader Cables FF - 2 | 5 | 10 | 25 | 50 m
- 2) Jumper Cables FF/FM - 0.25 | 0.5 | 1 | 2 | 3 | 5 | 10 m
- 3) Junction Box for Calumma S-XL / Eminere US (10981269 for RAL9011)
- 4) SJTW 6x14 AWG (13053480), Standard 1 m with bare-end, black or Cable SJTW 6x14 AWG (13053695), white

Note: The last unplugged connector must be fitted with a Waterproof Cap to protect the IP rating.



CONNECTIVITY

Following table shows maximum connected Calummas S SC in a row with respect of cable length.

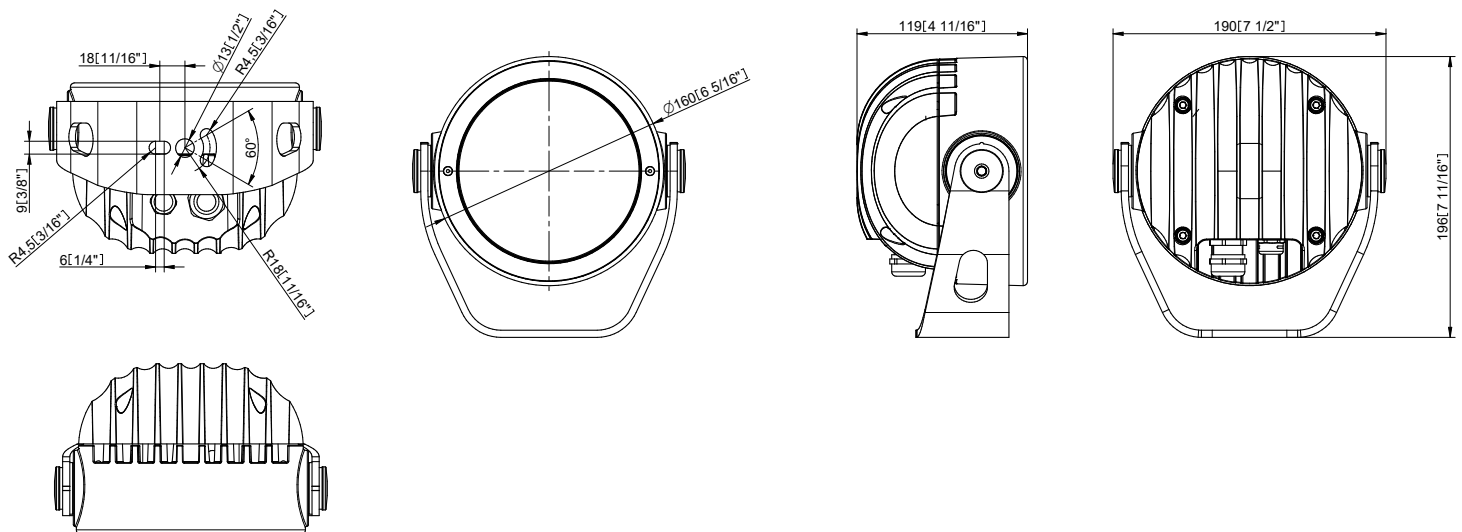
	Cable length (m)	Voltage (V)			
		120	190	230	277
CALUMMA S SC	10	32	32	32	32
	20	32	32	32	32
	30	32	32	32	32
	50	26	32	32	32
	70	18	32	32	32
	100	13	32	32	32

PROJECTED AREA

	Front (rear) - m ²	Front (rear) ft ²	Side - m ²	Side - ft ²	Top - m ²	Top - ft ²
Calumma S	0.023	0.250	0.019	0.207	0.018	0.196
with Top Hat	0.023	0.250	0.027	0.290	0.027	0.290
with Half Top Hat	0.023	0.250	0.022	0.232	0.027	0.290

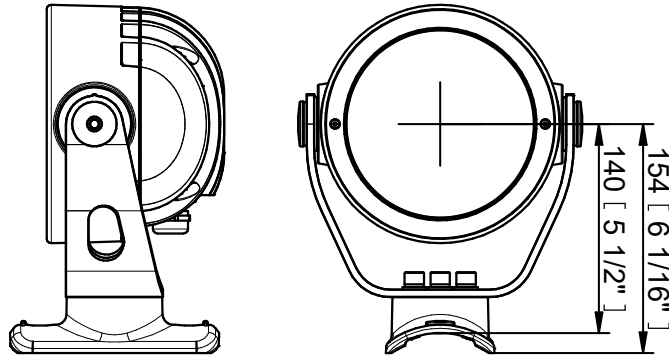
DIMENSIONS

Standard Yoke



Yoke for Pole Adaptor (with Pole Adaptor / PA)

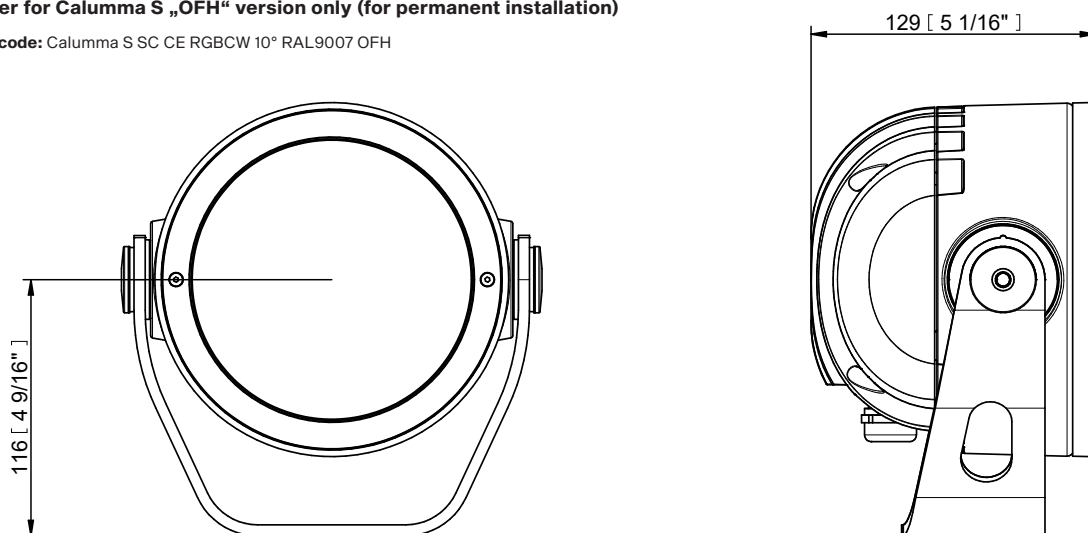
Example of ordering code: Calumma S SC RGBCW 15° PA



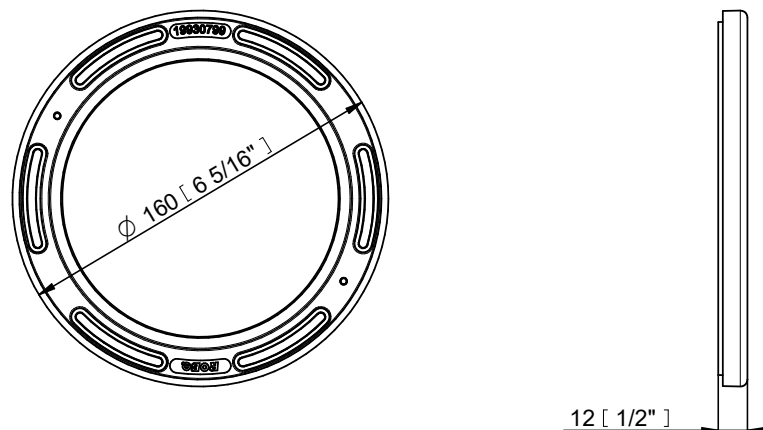
ACCESSORIES

Outdoor Foil Holder for Calumma S „OFH“ version only (for permanent installation)

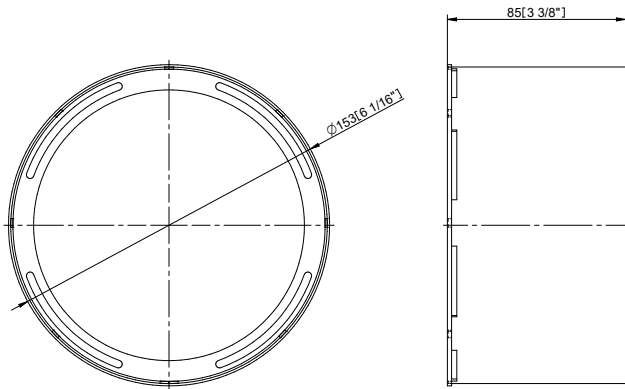
Example of ordering code: Calumma S SC CE RGBCW 10° RAL9007 OFH



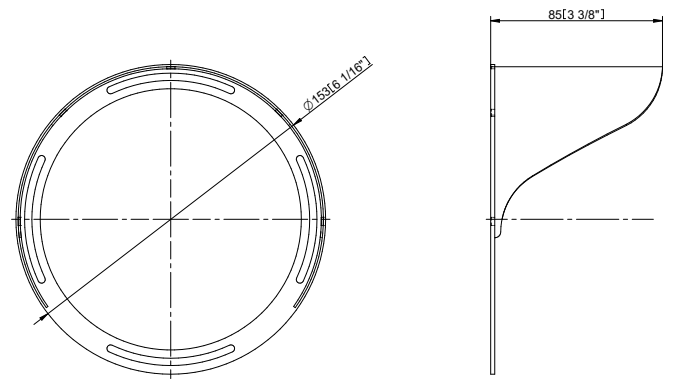
Outdoor Foil Holder for Calumma S



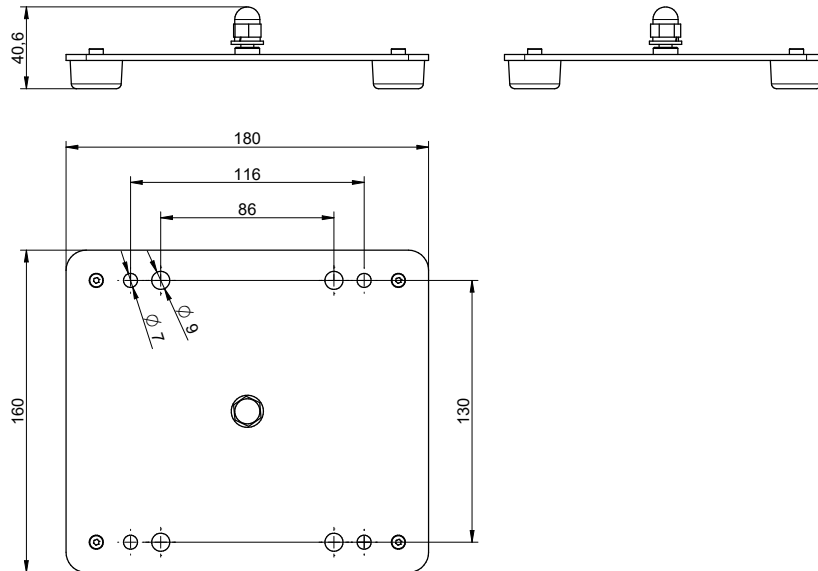
Top Hat



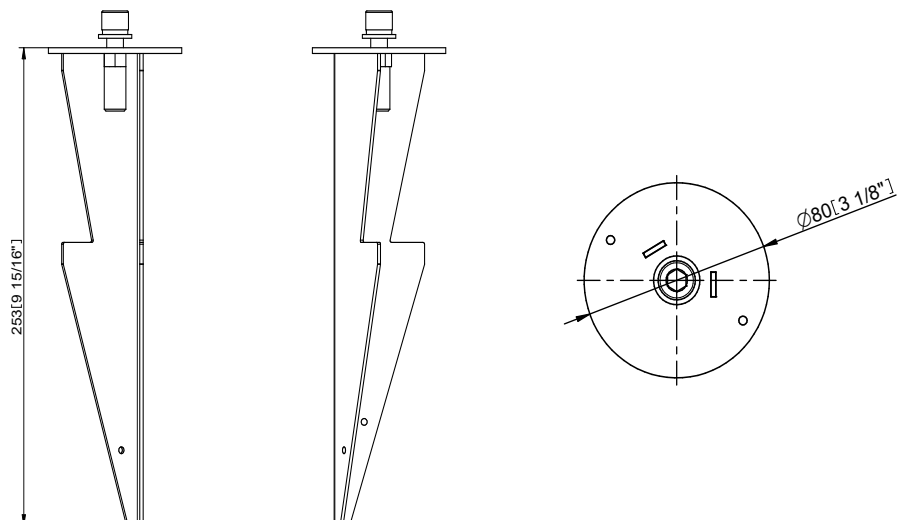
Half Top Hat



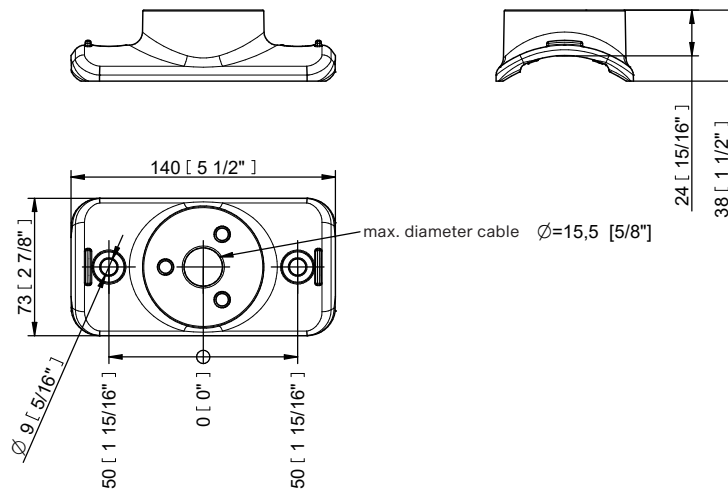
Floor Stand



Land Spike for Calumma (S, M, L, XL)



Pole Adaptor



PHOTOMETRIC OVERVIEW

Lumen Output (lm)

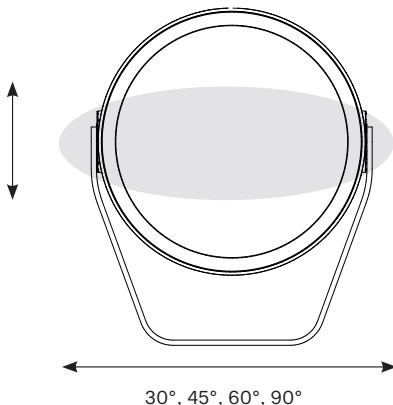
	RGBCW (W 6500 K)	RGBA	WW (W 3000 K)
9°	998	856	851
15°	849	728	723
25°	848	727	724
30°	835	716	712
45°	847	727	723
65°	847	727	723
100°	837	718	714
10°x30°, 30°x10°	801	686	683
10°x60°, 60°x10°	891	764	759
15°x45°, 45°x15°	906	778	774
30°x60°, 60°x30°	843	723	718
30°x90°, 90°x30°	906	776	772
15°x90°, 90°x15°	902	773	769

BI-SYMMETRICAL BEAM ANGLES

Bi-symmetrical:

10°x30°,
10°x60°,
15°x45°,
15°x90°,
30°x60°,
30°x90°

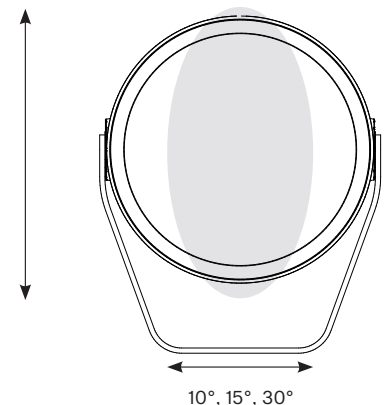
10°, 15°, 30°



Bi-symmetrical:

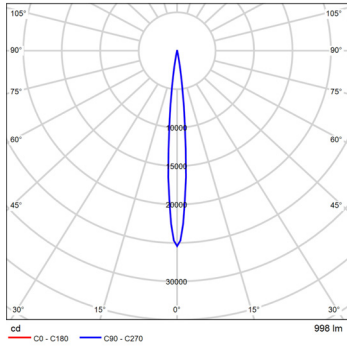
30°x10°,
60°x10°,
45°x15°,
90°x15°,
60°x30°,
90°x30°

30°, 45°, 60°, 90°



PHOTOMETRIC DATA

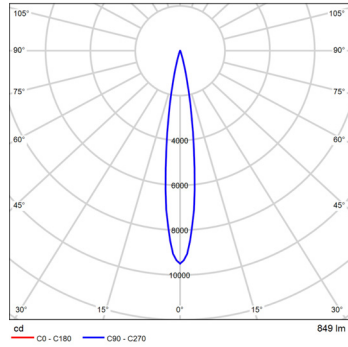
Calumma S MC RGBW 6500K 9dg



Distance [m]	Cone diameter [m]	E ₀ [lx]	E ₁₀ [lx]	E ₃₀ [lx]
0.50	0.09	101628	5.0°	5044
1.0	0.17	25407	5.0°	12636
1.5	0.26	11292	5.0°	5816
2.0	0.35	632	5.0°	3159
2.5	0.44	4068	5.0°	2022
3.0	0.52	2823	5.0°	1424

Distance [m] Cone diameter [m] Illuminance [lx]
C0 - C180 (Beam angle: 10.0°)

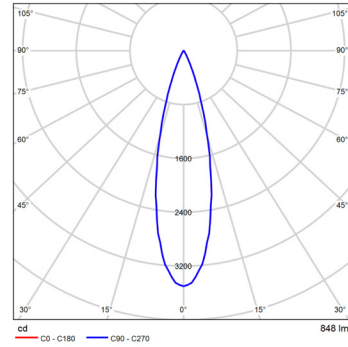
Calumma S MC RGBW 6500K 15dg



Distance [m]	Cone diameter [m]	E ₀ [lx]	E ₁₀ [lx]	E ₃₀ [lx]
0.50	0.13	37972	7.6°	1694
1.0	0.27	9493	7.6°	4633
1.5	0.40	4219	7.6°	2055
2.0	0.53	2373	7.6°	1156
2.5	0.67	1519	7.6°	740
3.0	0.80	1055	7.6°	514

Distance [m] Cone diameter [m] Illuminance [lx]
C0 - C180 (Beam angle: 15.2°)

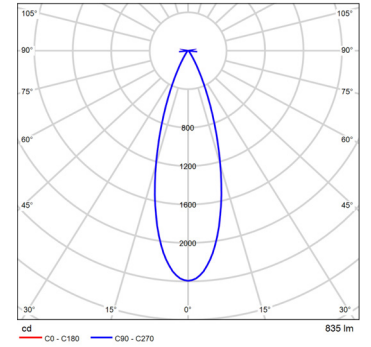
Calumma S MC RGBW 6500K 25dg



Distance [m]	Cone diameter [m]	E ₀ [lx]	E ₁₀ [lx]	E ₃₀ [lx]
0.50	0.23	14004	13.0°	6506
1.0	0.46	3501	13.0°	1427
1.5	0.69	1556	13.0°	723
2.0	0.92	875	13.0°	407
2.5	1.2	560	13.0°	260
3.0	1.4	389	13.0°	191

Distance [m] Cone diameter [m] Illuminance [lx]
C0 - C180 (Beam angle: 26.0°)

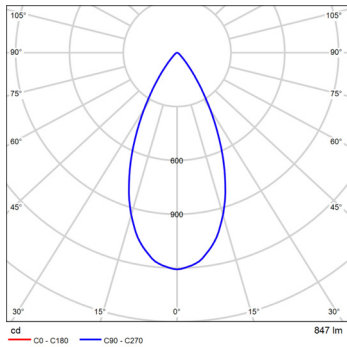
Calumma S MC RGBW 6500K 30dg



Distance [m]	Cone diameter [m]	E ₀ [lx]	E ₁₀ [lx]	E ₃₀ [lx]
0.50	0.29	9273	16.0°	436
1.0	0.57	2393	16.0°	1072
1.5	0.86	1064	16.0°	476
2.0	1.1	598	16.0°	268
2.5	1.4	383	16.0°	171
3.0	1.7	266	16.0°	119

Distance [m] Cone diameter [m] Illuminance [lx]
C0 - C180 (Beam angle: 30.0°)

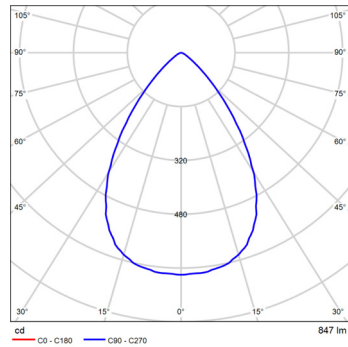
Calumma S MC RGBW 6500K 45dg



Distance [m]	Cone diameter [m]	E ₀ [lx]	E ₁₀ [lx]	E ₃₀ [lx]
0.50	0.45	4829	24.4°	1027
1.0	0.91	1207	24.4°	497
1.5	1.4	537	24.4°	203
2.0	1.8	302	24.4°	114
2.5	2.3	193	24.4°	73
3.0	2.7	134	24.4°	51

Distance [m] Cone diameter [m] Illuminance [lx]
C0 - C180 (Beam angle: 45.8°)

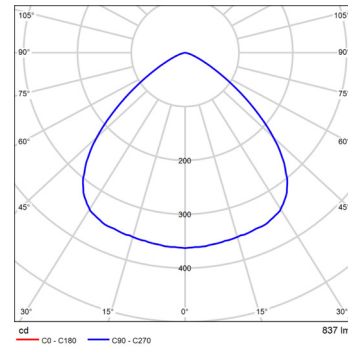
Calumma S MC RGBW 6500K 65dg



Distance [m]	Cone diameter [m]	E ₀ [lx]	E ₁₀ [lx]	E ₃₀ [lx]
0.50	0.70	2640	34.9°	733
1.0	1.4	660	34.9°	183
1.5	2.1	293	34.9°	81
2.0	2.8	165	34.9°	46
2.5	3.5	106	34.9°	28
3.0	4.2	73	34.9°	20

Distance [m] Cone diameter [m] Illuminance [lx]
C0 - C180 (Beam angle: 69.8°)

Calumma S MC RGBW 6500K 100dg

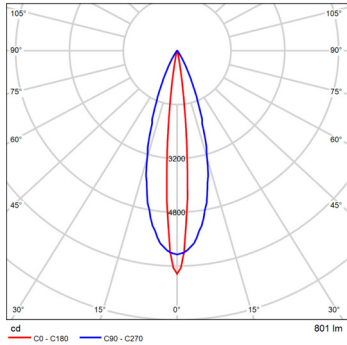


Distance [m]	Cone diameter [m]	E ₀ [lx]	E ₁₀ [lx]	E ₃₀ [lx]
0.50	1.2	1452	49.7°	197
1.0	2.4	363	49.7°	49
1.5	3.5	161	49.7°	22
2.0	4.7	91	49.7°	12
2.5	5.9	56	49.7°	7.9
3.0	7.1	40	49.7°	5.6

Distance [m] Cone diameter [m] Illuminance [lx]
C0 - C180 (Beam angle: 99.4°)

PHOTOMETRIC DATA

Calumma S MC RGBW 6500K
10x30dg

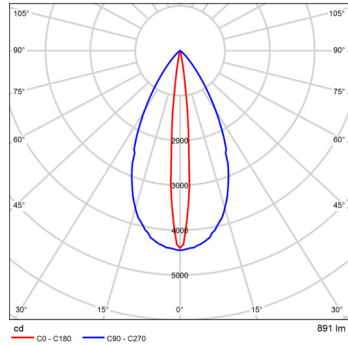


Distance [m]	Cone diameter [m]	E(0°)	E(C90)	E(C0)	Illuminance [lx]
0.50	0.55 0.09	17587	28.3° 6824	5.0° 6789	26228
1.0	1.10 0.18	4397	28.3° 1609	5.0° 2197	6631
1.5	1.65 0.27	1954	28.3° 715	5.0° 977	2947
2.0	2.20 0.36	1099	28.3° 402	5.0° 549	1658
2.5	2.75 0.46	703	28.3° 257	5.0° 352	1081
3.0	3.30 0.55	489	28.3° 179	5.0° 244	737

Distance [m] Cone diameter [m] Illuminance [lx]

— C0 - C180 (Beam angle: 10.4°) — C90 - C270 (Beam angle: 33.4°)

Calumma S MC RGBW 6500K
10x60dg

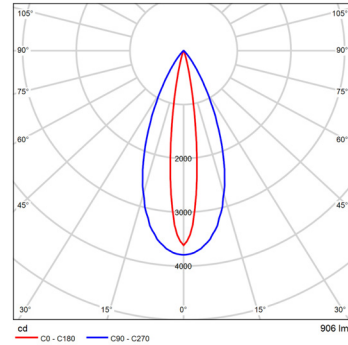


Distance [m]	Cone diameter [m]	E(0°)	E(C90)	E(C0)	Illuminance [lx]
0.50	0.60 0.17	17587	28.3° 6824	5.0° 6789	891
1.0	1.20 0.35	4397	28.3° 1609	5.0° 2197	891
1.5	1.80 0.52	1954	28.3° 715	5.0° 977	891
2.0	2.40 0.78	1099	28.3° 402	5.0° 549	891
2.5	3.00 1.11	703	28.3° 257	5.0° 352	891
3.0	3.60 1.58	489	28.3° 179	5.0° 244	891

Distance [m] Cone diameter [m] Illuminance [lx]

— C0 - C180 (Beam angle: 10.0°) — C90 - C270 (Beam angle: 52.6°)

Calumma S MC RGBW 6500K
15x45dg

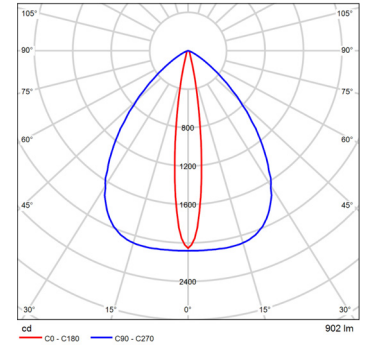


Distance [m]	Cone diameter [m]	E(0°)	E(C90)	E(C0)	Illuminance [lx]
0.50	0.40 0.14	1454	22.0° 808	7.7° 1762	906
1.0	0.81 0.27	3614	22.0° 1520	7.7° 783	906
1.5	1.21 0.41	1608	22.0° 676	7.7° 440	906
2.0	1.62 0.54	903	22.0° 380	7.7° 253	906
2.5	2.03 0.68	578	22.0° 243	7.7° 282	906
3.0	2.44 0.81	402	22.0° 169	7.7° 196	906

Distance [m] Cone diameter [m] Illuminance [lx]

— C0 - C180 (Beam angle: 15.4°) — C90 - C270 (Beam angle: 44.0°)

Calumma S MC RGBW 6500K
15x90dg

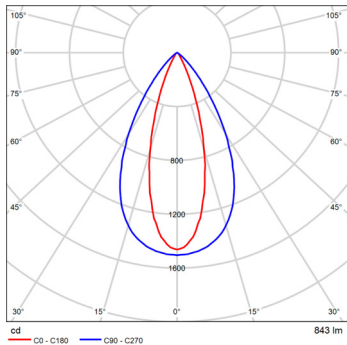


Distance [m]	Cone diameter [m]	E(0°)	E(C90)	E(C0)	Illuminance [lx]
0.50	0.80 0.13	8217	41.3° 1778	7.6° 4048	902
1.0	1.60 0.27	2054	41.3° 444	7.6° 1012	902
1.5	2.40 0.40	913	41.3° 198	7.6° 400	902
2.0	3.20 0.53	514	41.3° 111	7.6° 283	902
2.5	4.00 0.67	329	41.3° 71	7.6° 162	902
3.0	4.80 0.80	228	41.3° 49	7.6° 112	902

Distance [m] Cone diameter [m] Illuminance [lx]

— C0 - C180 (Beam angle: 15.2°) — C90 - C270 (Beam angle: 82.6°)

Calumma S MC RGBW 6500K
30x60dg

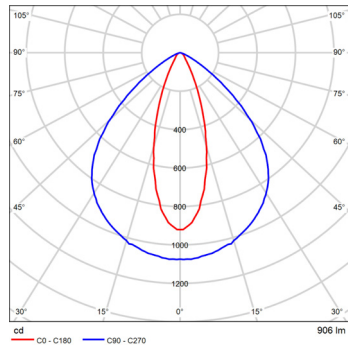


Distance [m]	Cone diameter [m]	E(0°)	E(C90)	E(C0)	Illuminance [lx]
0.50	0.58 0.28	8850	29.9° 1966	15.7° 2812	843
1.0	1.16 0.56	1463	29.9° 491	15.7° 683	843
1.5	1.74 0.84	658	29.9° 218	15.7° 290	843
2.0	2.32 1.1	368	29.9° 123	15.7° 163	843
2.5	2.90 1.4	234	29.9° 79	15.7° 104	843
3.0	3.48 1.7	163	29.9° 58	15.7° 73	843

Distance [m] Cone diameter [m] Illuminance [lx]

— C0 - C180 (Beam angle: 31.4°) — C90 - C270 (Beam angle: 38.8°)

Calumma S MC RGBW 6500K
30x90dg



Distance [m]	Cone diameter [m]	E(0°)	E(C90)	E(C0)	Illuminance [lx]
0.50	1.0 0.30	3681	45.3° 750	18.8° 1817	906
1.0	2.0 0.60	920	45.3° 188	18.8° 404	906
1.5	3.0 0.91	409	45.3° 83	18.8° 186	906
2.0	4.0 1.2	230	45.3° 47	18.8° 101	906
2.5	5.1 1.5	147	45.3° 30	18.8° 65	906
3.0	6.1 1.8	102	45.3° 21	18.8° 45	906

Distance [m] Cone diameter [m] Illuminance [lx]

— C0 - C180 (Beam angle: 15.4°) — C90 - C270 (Beam angle: 33.8°)