

CALUMMA™ REMOTE S SC

Featuring an optical design using nineteen high efficacy singlechip LEDs and available with optional LED colour variants and various beam angles, the small-sized Calumma Remote S SC luminaire creates powerful and beautiful light output for a spot, accent or flood lighting solution. Its durable housing is built to withstand any exterior conditions, and its special finish for harsh and marine environments provides an exceptional outdoor LED luminaire in an elegant design. Complemented by wide range of accessories, control protocols and connection options, this luminaire is an effective and versatile unit to get the most out of architectural lighting applications.



KEY FEATURES

Lumen output & Light source

Luminaire with nineteen high-power, single-chip LEDs provides up to 1958 lumen output (@10°, RGBW). Multiple LED colour variants. No light spills. Well homogenised light output with great efficacy up to 65 lm/w.

Design & Durability

Compact, durable and stylish housing made of high-pressure die cast aluminium. IP67 and IK10 certification; suitable for marine applications (Harsh Environment Finish required) and traffic applications. Supported with a 5 year warranty.

Flexibility

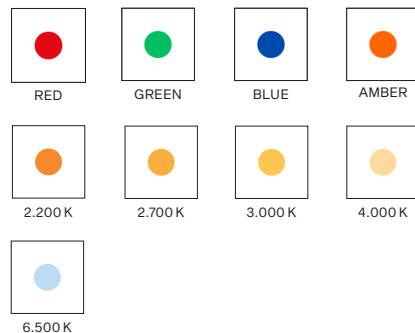
Exceptional outdoor or indoor LED luminaire with a wide range of accessories, custom colour finishes, multiple light output variants and beam angles.

COLOURS

STANDARD



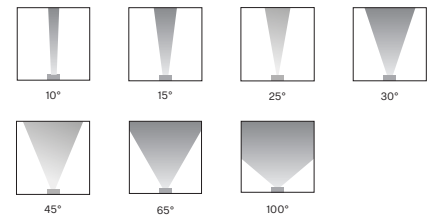
UPON REQUEST



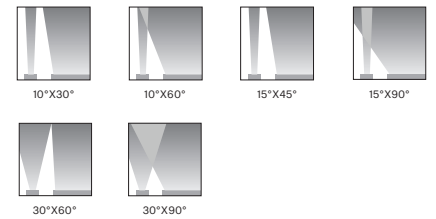
AVAILABLE COLOURS FOR CUSTOM SETUP

OPTIC OPTIONS

SYMMETRICAL



BI-SYMMETRICAL

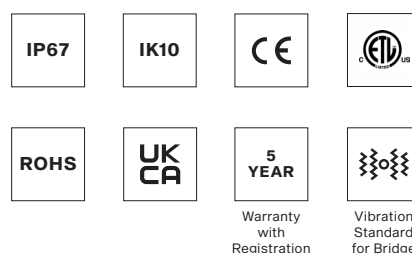


CONTROL & PROTOCOLS



E-BOX REMOTE RANGE

STANDARD & SPECIFICATION



FINISH OPTIONS

* CLOSEST RAL TONE
* HE = Harsh Environment



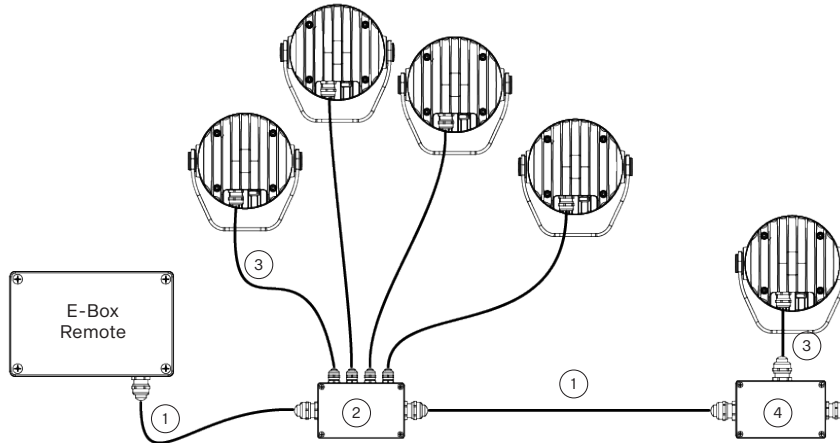
SPECIFICATION

ELECTRICAL	Input Voltage	48 V		
	Typical Power Consumption	30 W +/-10 %		
OPTICAL	Light Source	High Power Single Chip LEDs		
	Colour Variants	RGBW (W - 6500 K) RGBA Pure White (W - 3000 K) Tuneable White (2200–3000 K) Custom Setup On Request: Red, Green, Blue, Amber, 2200 K, 2700 K, 3000 K, 4000 K, 6500 K		
	Beam Angle	10° 15° 25° 30° 45° 65° 100° 10°x30° 30°x10° 10°x60° 60°x10° 15°x45° 45°x 15° 15°x90° 90°x15° 30°x60° 60°x30° 30°x90° 90°x30°		
	Lumen Output Delivered	1958 lm (@ 10°, RGBW)		
	Projected Lumen Maintenance	L90B10 >90.000 hrs, Ta = 25°C / 77°F		
CONTROL	Interface Protocol	Via E-box Remote, E-box Remote Basic or E-Box Remote Basic Mini		
	E-Box Remote control protocol	USITT DMX512/RDM, ArtNet, MA Net, MA Net2, sACN, Kling-Net		
	Settings / Addressing	Via Two Row LCD Display with Control Buttons on E-Box Remote or RDM communicator		
	Power Supply	Via E-Box Remote range		
PHYSICAL	Width x Height x Depth	189 x 196 x 119 mm (7.4 x 7.7 x 4.7 in.)		
	Weight	3.45 kg 7.6 lbs		
	Housing	High Pressure Die-Cast Aluminium Body Tempered Glass		
	Finish Options	Standard Colour	Graphite Black RAL 9011 Grey Aluminium RAL 9007 Pure White RAL 9010 Sandstone RAL 1014	
		Standard Colour Harsh Environment	Graphite Black RAL 9011 Grey Aluminium RAL 9007 Pure White RAL 9010 Sandstone RAL 1014	
		Cost Option	Custom RAL	
	Cables / Connections	IN - 1 m cable with bare end - Other cable length - custom - Junction box - optional		
	Mounting Method	Yoke or Yoke for Pole Adaptor		
	Adjustability	+180° / -180°		
	Protection Factor	IP67 / Suitable For Wet Locations		
IK Rating	IK10			
Cooling System	Convection			
Operating Ambient Temperature	-20 °C / +50 °C (-4 °F / +122 °F)			
CERTIFICATION	Listings	ETL / cETL, CE, RoHS, UKCA		
ACCESSORIES	Not Included Items	Junction Box Remote (1x or 4x Output)		
		Cable UL20969 5x20 AWG (black or white) - Calumma Remote input cable		
		Cable SJTW 5x14 AWG (black or white) - main connection between Junction Boxes		
		Re-enterable Electrical Insulating Resin		
		Land Spike for Calumma S		
		Optical Demo Set for Calumma S (for demo purposes)		
		Outdoor Foil Holder for Calumma S „OFH“ version only (for permanent installation)		
		Optical Foil Set for Outdoor Foil Holder Calumma S		
		Top Hat Calumma S		
		Half Top Hat Calumma S		
Floor Stand for Calumma S, M				
Pole Adaptor (ø 102 mm) (Yoke for Pole Adaptor Required)				

CONTROL AND CONNECTION OPTIONS

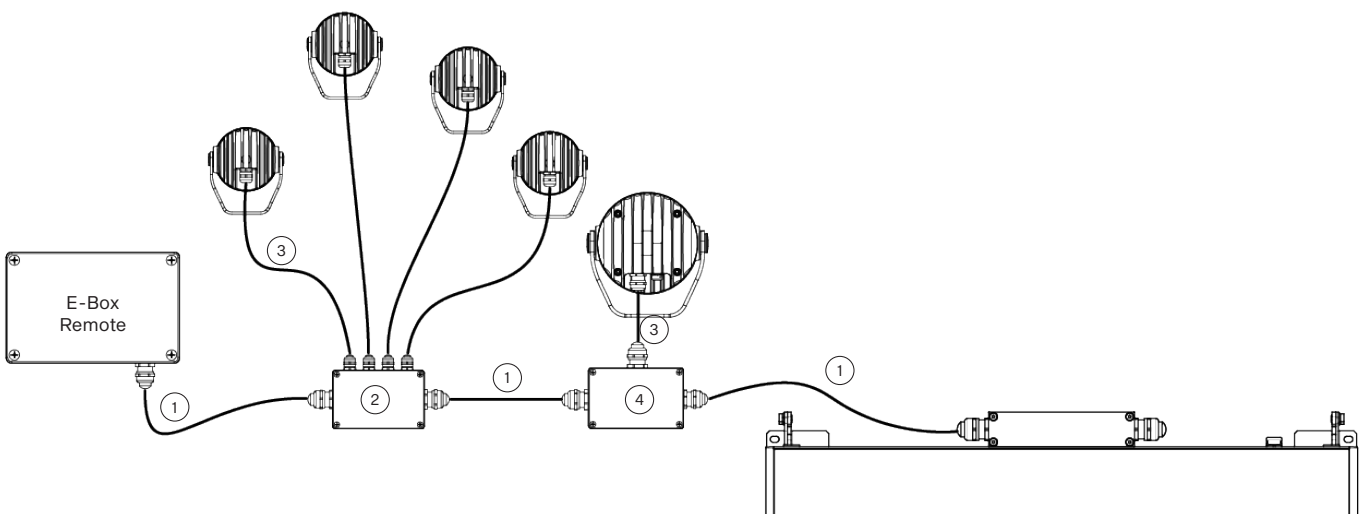
VIA E-BOX REMOTE (Calumma Remote S)

- 1) SJTW 5x14 AWG (13053693), Standard 1 m with bare-end, black or on request Cable SJTW 5x14 AWG (13053697), white
- 2) Junction Box Remote, (4x Output)
- 3) Cable UL 20969 5x20 AWG (13053481), black or on request Cable UL 20969 5x20 AWG (13053696), white
- 4) Junction Box Remote, (1x Output)



VIA E-BOX REMOTE (Calumma XS, Calumma Remote S, Eminere Remote)

- 1) SJTW 5x14 AWG (13053693), Standard 1 m with bare-end, black or on request Cable SJTW 5x14 AWG (13053697), white
- 2) Junction Box Remote, (4x Output)
- 3) Cable UL 20969 5x20 AWG (13053481), black or on request Cable UL 20969 5x20 AWG (13053696), white
- 4) Junction Box Remote, (1x Output)



CONNECTIVITY

The table states max. number of Calumma Remote S modules connected to the E-box Remote or Remote Basic.

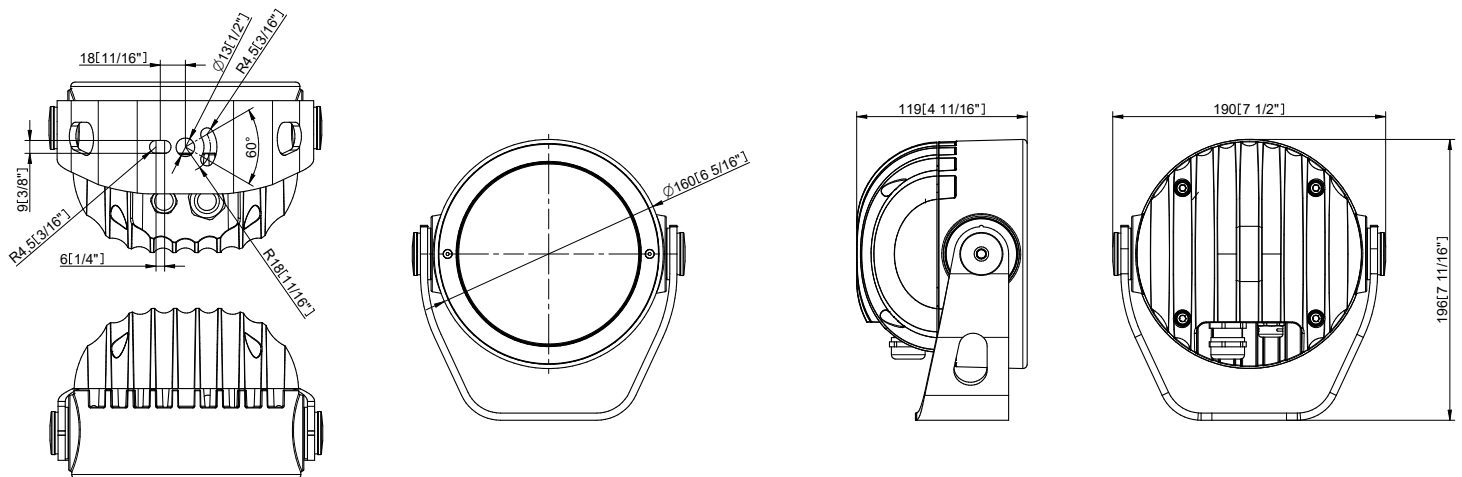
Cable length (m)	Max. number of Calumma Remote S connected to the E-Box Remote or Remote Basic
	CALUMMA REMOTE S
25	13
50	10
75	8
100	6

PROJECTED AREA

	Front (rear) - m ²	Front (rear) ft ²	Side - m ²	Side - ft ²	Top - m ²	Top - ft ²
Calumma S	0.023	0.250	0.019	0.207	0.018	0.196
with Top Hat	0.023	0.250	0.027	0.290	0.027	0.290
with Half Top Hat	0.023	0.250	0.022	0.232	0.027	0.290

DIMENSIONS

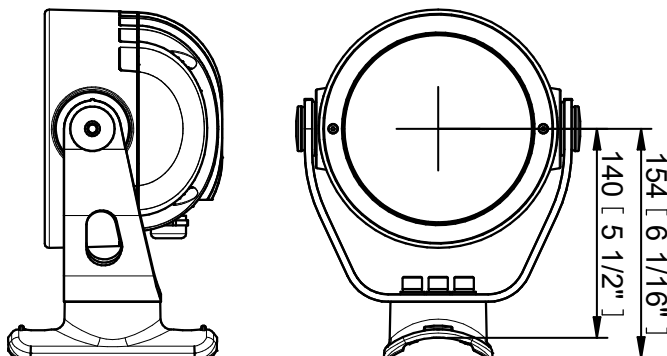
Standard Yoke



ACCESSORIES

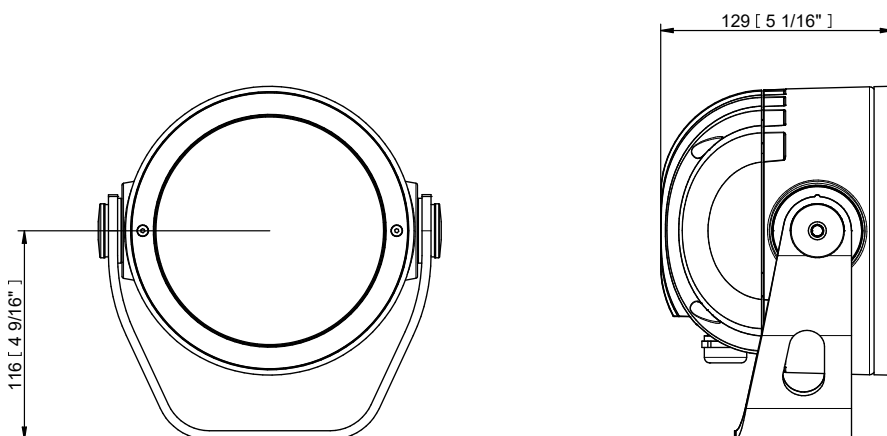
Yoke for Pole Adaptor (with Pole Adaptor / PA)

Example of ordering code: Calumma Remote S SC RGBCW 15° PA

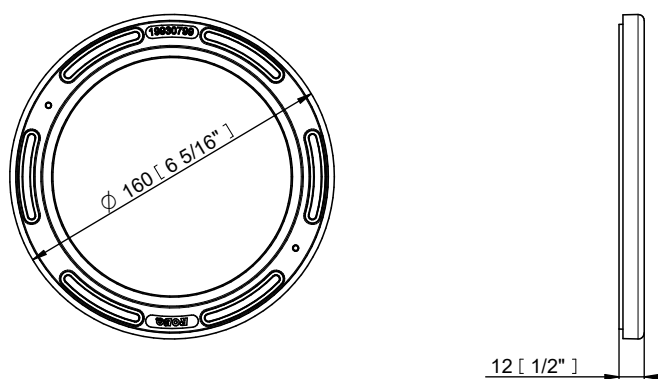


Outdoor Foil Holder for Calumma S „OFH“ version only (for permanent installation)

Example of ordering code: Calumma Remote S SC CE RGBCW 10° RAL9007 OFH

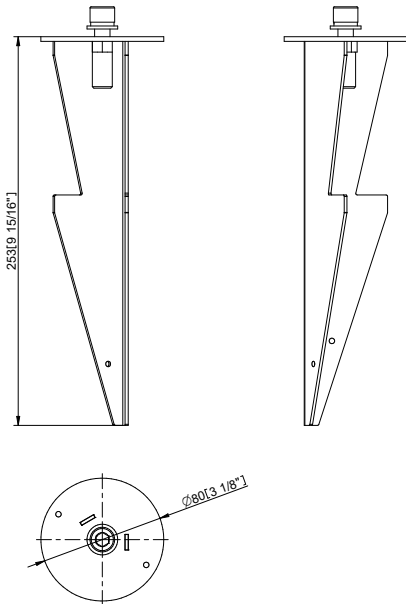


Outdoor Foil Holder for Calumma S

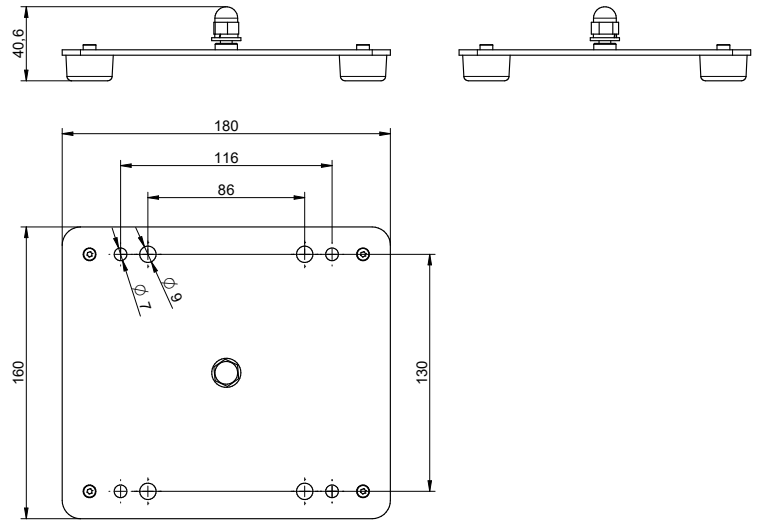


ACCESSORIES

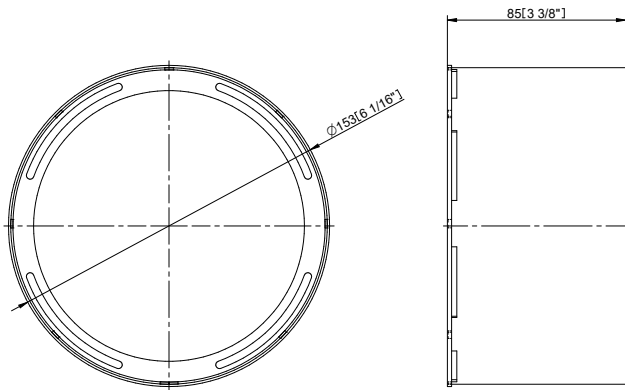
Land Spike for Calumma (S, M, L, XL)



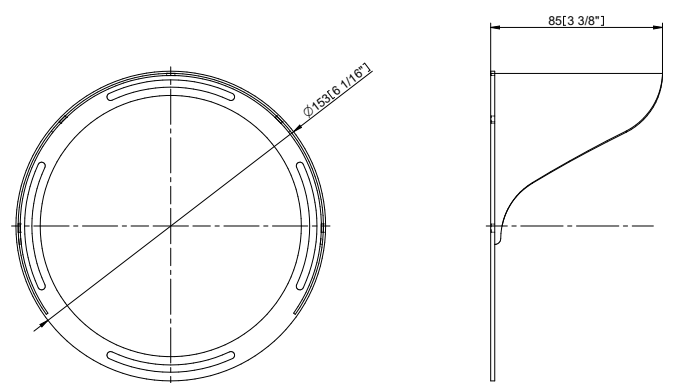
Floor Stand



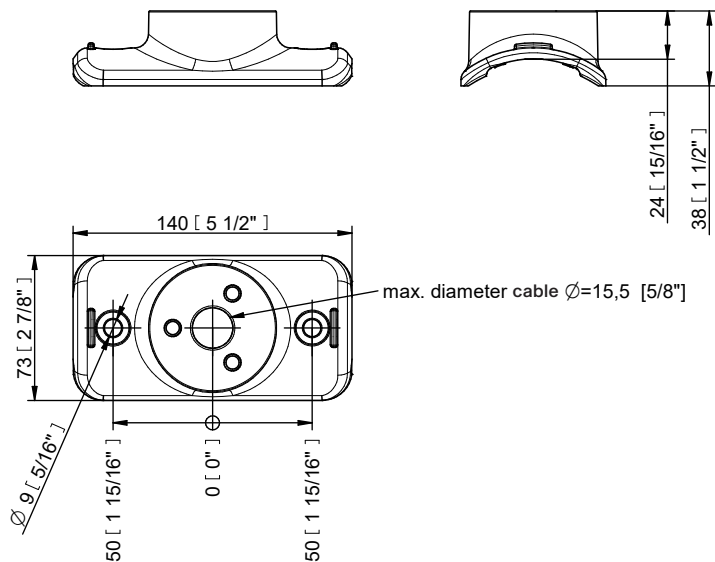
Top Hat



Half Top Hat



Pole Adaptor



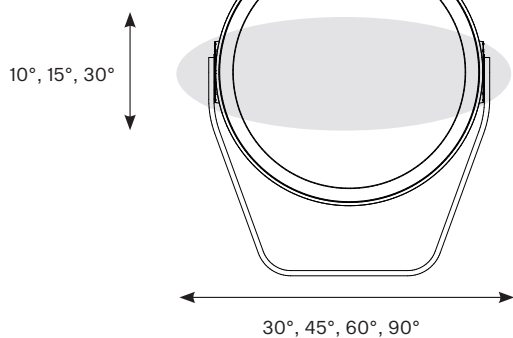
PHOTOMETRIC OVERVIEW

	Lumen Output (lm)		
	RGBCW (W 6500 K)	RGBA	WW (W 3000 K)
10°	1958	1373	2424
15°	1784	1251	2208
25°	1744	1223	2159
30°	1712	1200	2119
45°	1748	1226	2164
65°	1713	1201	2120
100°	1735	1217	2148
10° x 30°, 30° x 10°	1723	1208	2133
10° x 60°, 60° x 10°	1714	1202	2122
15° x 45°, 45° x 15°	1789	1254	2215
30° x 60°, 60° x 30°	1704	1195	2109
30° x 90°, 90° x 30°	1606	1126	1988
15° x 90°, 90° x 15°	1687	1183	2088

BI-SYMMETRICAL BEAM ANGLES

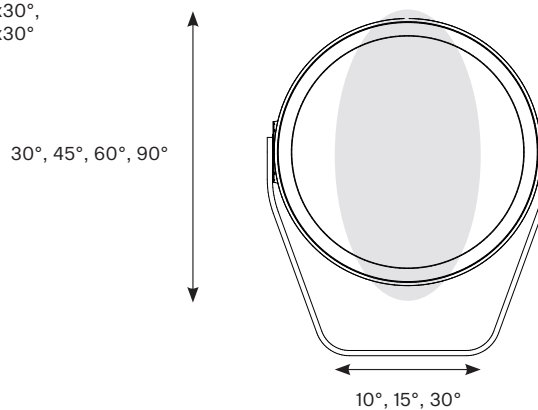
Bi-symmetrical:

10°x30°,
10°x60°,
15°x45°,
15°x90°,
30°x60°,
30°x90°



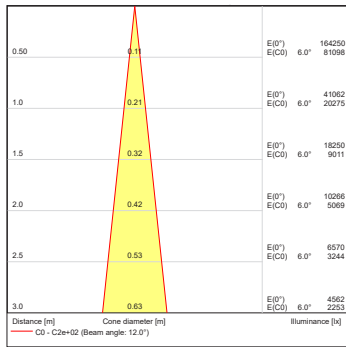
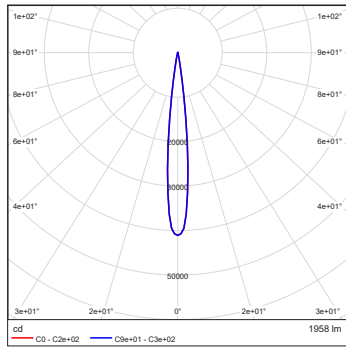
Bi-symmetrical:

30°x10°,
60°x10°,
45°x15°,
90°x15°,
60°x30°,
90°x30°

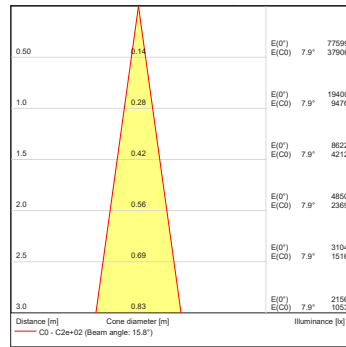
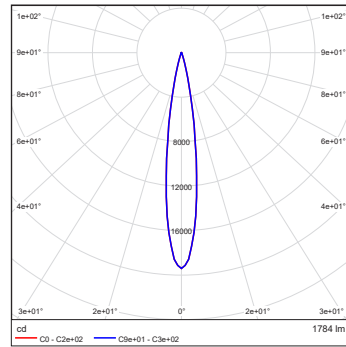


PHOTOMETRIC DATA

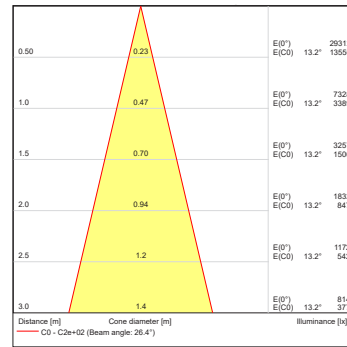
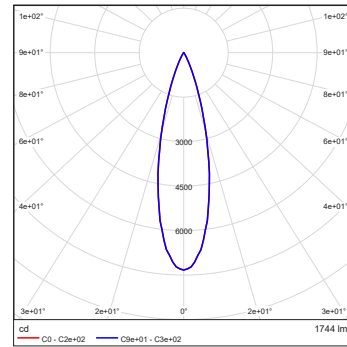
Calumma S SC RGBW 6500K 10dg



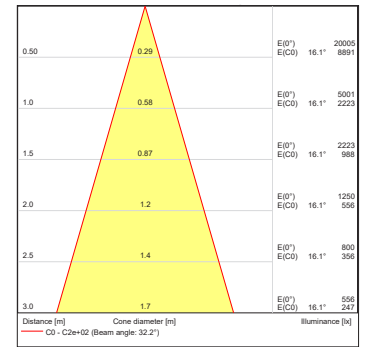
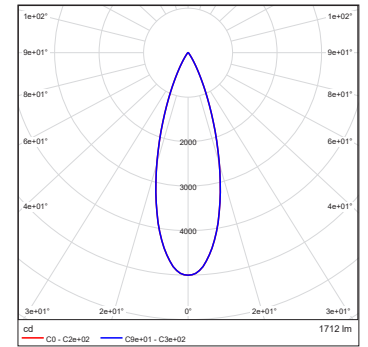
Calumma S SC RGBW 6500K 15dg



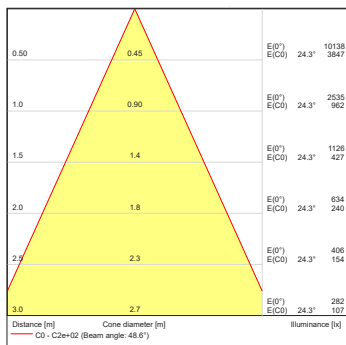
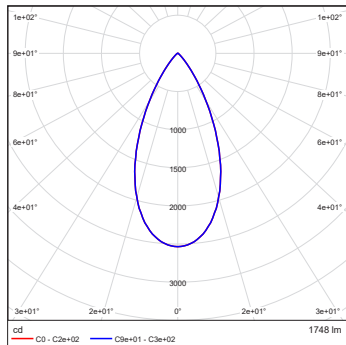
Calumma S SC RGBW 6500K 25dg



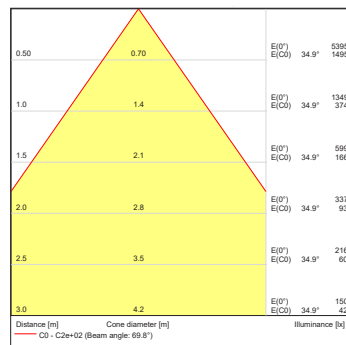
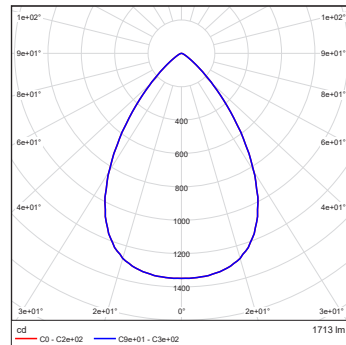
Calumma S SC RGBW 6500K 30dg



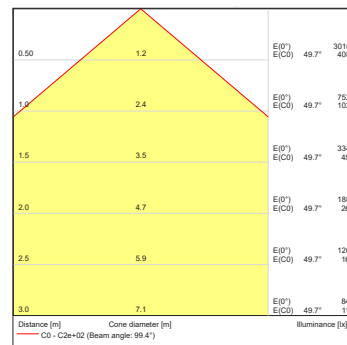
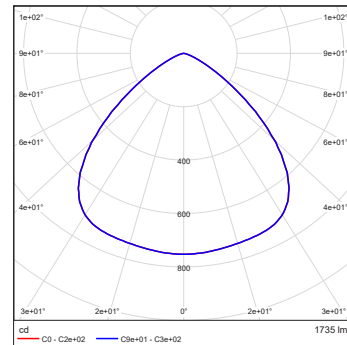
Calumma S SC RGBW 6500K 45dg



Calumma S SC RGBW 6500K 65dg

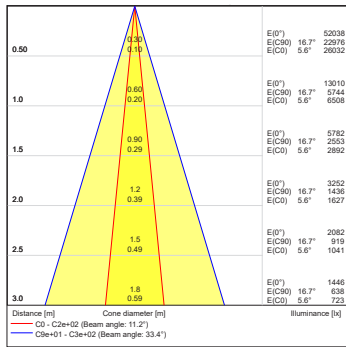
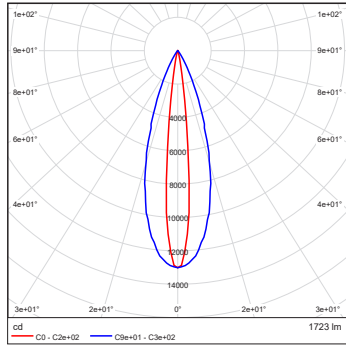


Calumma S SC RGBW 6500K 100dg

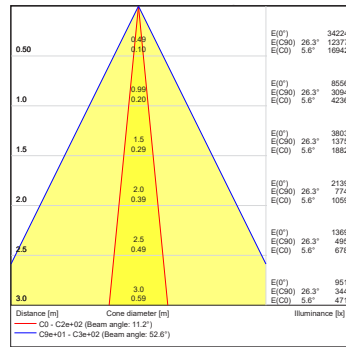
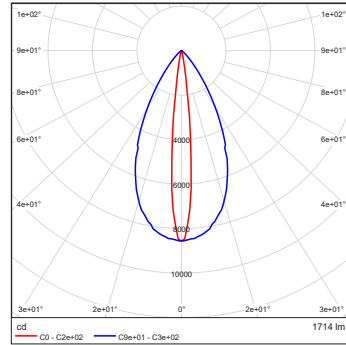


PHOTOMETRIC DATA

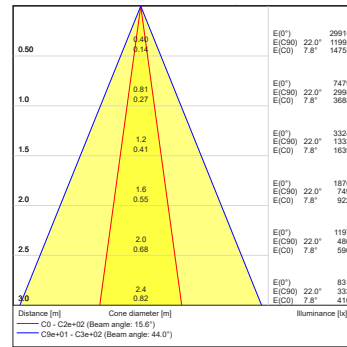
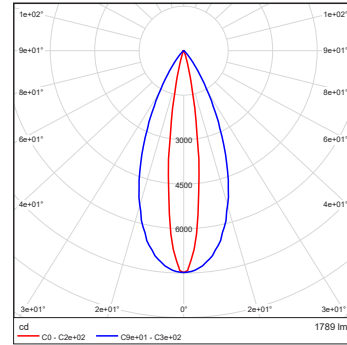
Calumma S SC RGBW 6500K
10x30dg



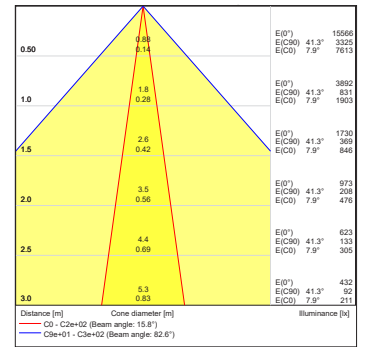
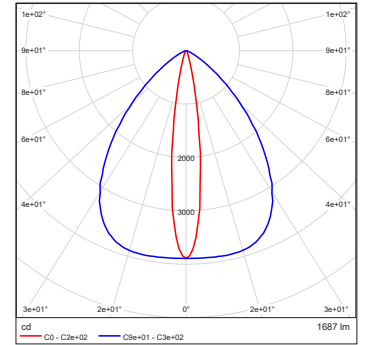
Calumma S SC RGBW 6500K
10x60dg



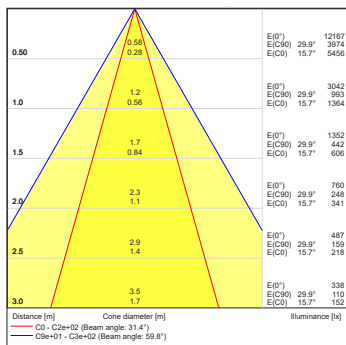
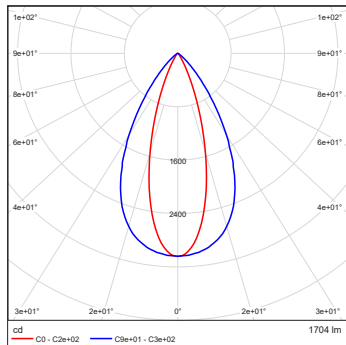
Calumma S SC RGBW 6500K 15x45dg



Calumma S SC RGBW 6500K 15x90dg



Calumma S SC RGBW 6500K
30x60dg



Calumma S SC RGBW 6500K
30x90dg

