

CALUMMA™ ARTS XS SC

Calumma Arts XS SC is a compact architectural luminaire with a strong artistic character, designed to transform light into a creative expression. Featuring high-power single-chip LED technology, it is available with precise 10° optics or without optics, and offers a choice of 4 interchangeable lenses and 11 textured glass options to create layered projections and an exceptionally wide variability of final lighting effects. The optical system can be customized directly on site, allowing designers to fine-tune the output to perfectly suit the installation. With its durable IP67-rated housing, wide control compatibility and elegant design, Calumma Arts XS SC delivers versatile, expressive lighting for distinctive architectural applications.



KEY FEATURES

Lumen output & Light source

Luminaire with four high-power, single-chip LEDs provides up to 457 lumen output (@10°, PW 3000 K). No light spills.

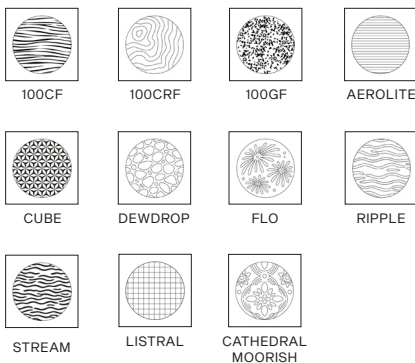
Design & Durability

Lightweight, compact, durable and stylish housing made of high-pressure die cast aluminium. IP67 and IK10 certification; suitable for marine applications (Harsh Environment Finish required) and traffic applications. Supported with a 5 year warranty.

Flexibility

An exceptionally compact luminaire available with a wide range of accessories and custom colour finishes, Calumma Arts XS SC offers lighting designers a highly flexible solution based on interchangeable lenses and textured glass elements that can be freely combined to create unique, original lighting effects for the most demanding applications.

TEXTURED GLASS

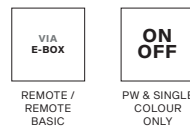


COLOURS

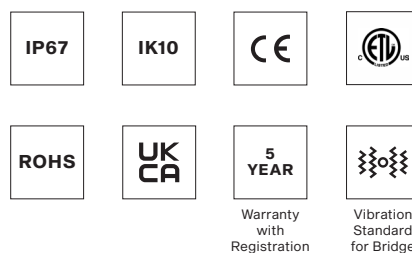
* UPON REQUEST



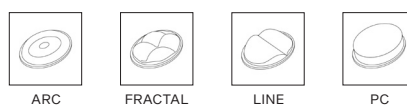
CONTROL & PROTOCOLS



STANDARD & SPECIFICATION

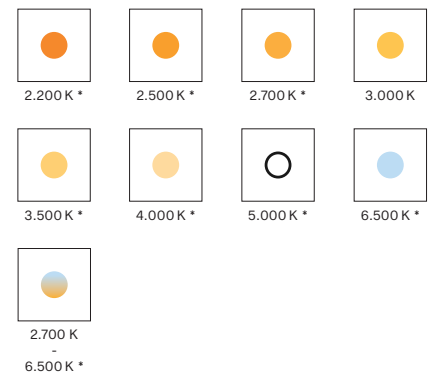


LENSES

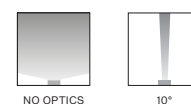


COLOUR TEMPERATURE

* UPON REQUEST



OPTIC OPTIONS



FINISH OPTIONS

* CLOSEST RAL TONE
* HE = Harsh Environment



SPECIFICATION

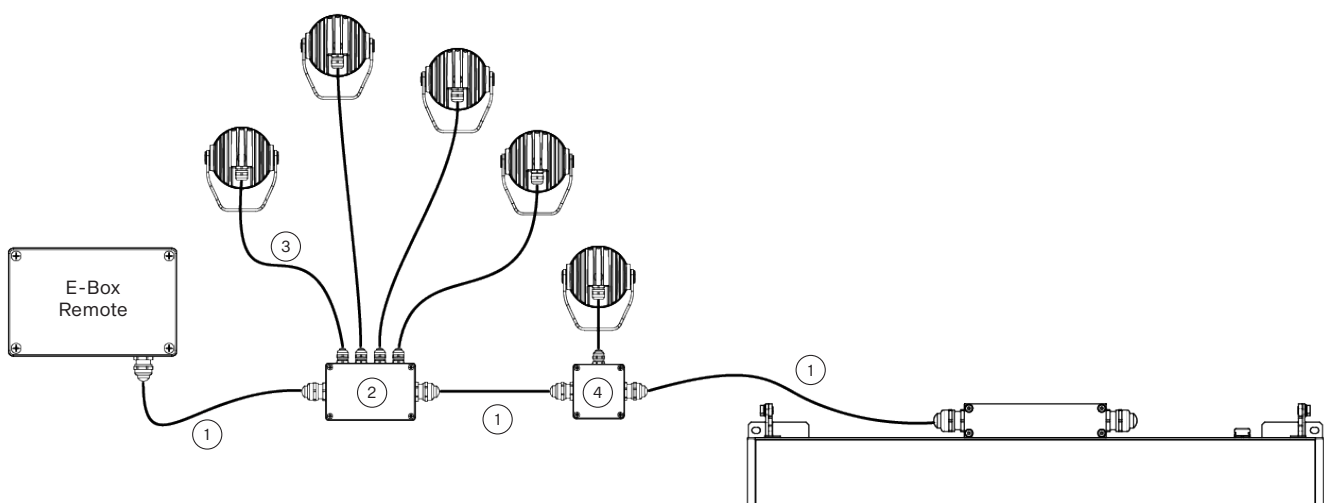
ELECTRICAL	Input Voltage	48 V		
	Typical Power Consumption	10 W +/-10 %		
OPTICAL	Light Source	High Power Single Chip LEDs		
	Colour Variants	PW (W - 3000 K)		
		On Request: TW (2700–6500 K), 2200 K, 2500 K, 2700 K, 3500 K, 4000 K, 5000 K, 6500 K		
	Beam Angle	10° No Optics		
	Lumen Output Delivered	457 lm (@ 10°, PW 3000 K) TBC		
	Projected Lumen Maintenance	L90B10 >90.000 hrs, Ta = 25°C / 77°F		
CONTROL	Interface protocol	Via E-box Remote or E-box Remote Basic ON/OFF (PW & single colour only)		
	E-Box Remote control protocol	USITT DMX512/RDM, ArtNet, MA Net, MA Net2, sACN, Kling-Net		
	Setting / addressing	E-box Remote, RDM communicator		
	Connectivity & Power Supply	E-Box Remote Remote Basic		
PHYSICAL	Width x Height x Depth	94 x 112 x 224 mm (3.7 x 4.4 x 8.8 in.)		
	Weight	1.4 kg 3.1 lbs		
	Housing	High Pressure Die-Cast Aluminium Body Tempered Glass		
	Finish Options	Standard Colour	Graphite Black RAL 9011 Grey Aluminium RAL 9007 Pure White RAL 9010 Sandstone RAL 1014	
		Standard Colour Harsh Environment	Graphite Black RAL 9011 Grey Aluminium RAL 9007 Pure White RAL 9010 Sandstone RAL 1014	
		Cost Option	Custom RAL	
	Cabels / Connectivity	IN (for DMX, DALI): - 1 m cable with bare end - Other cable length - custom - Junction box - optional	IN (for E-Box Version): - Cable (5x20 AWG) 0.5 m, with Connector MM	
	Mounting Method	Yoke or Yoke for Pole Adaptor		
	Adjustability	+180° / -180°		
	Protection Factor	IP67 (IP66 Junction Box) / Suitable For Wet Locations		
	IK Rating	IK10		
Cooling System	Convection			
Operating Ambient Temperature	-20°C / +50°C (-4°F / +122°F)			
CERTIFICATION	Listings	ETL / cETL, CE, RoHS, UKCA		
ACCESSORIES	Not Included Items	Re-enterable Electrical Insulating Resin		
		Land Spike for Calumma XS		
		Twin Wall Cover Calumma XS		
		Pole Adaptor (ø 102 mm) (Yoke for Pole Adaptor Required)		
		Floor Stand for Calumma Arts XS		
		Lenses for Calumma Arts XS	PC Lens Fractal Lens ARC Lens Line Lens	
		Textured Glass for Calumma Arts XS	Aerolite Glass DewDrop Glass Flo Glass Ripple Glass Cube Glass CF Glass CRF Glass GF Glass Stream Glass Cathedral Moorish Glass Listral Glass	

	Junction Box Remote (1x Output)
	Junction Box Remote (4x Output)
IN (1 m Cable with bare-end version)	Cable UL20969 5x20 AWG (black or white) - Calumma XS input cable
	Cable SJTW 5x14 AWG (black or white) - main connection between Junction Boxes
ACCESSORIES	Leader Cable FF 0.1 m CE AD-05
	Jumper Cable MM/FFCE AD-05 0.5 m 1 m 3 m 5 m
	T-connector FMF CE AB-AD-05
	Waterproof Cap for M connector AD-05
	Waterproof Cap for F connector AD-05
IN (0.5 m Cable 5x20 AWG with Connector MM version)	Cable SJTW 5x14 AWG (black or white) - main connection between Junction Boxes
	Connection Box Remote 1x Out (14 AWG–20 AWG)
	Connection Box Remote 2x Out (14 AWG–14 AWG & 20 AWG)
	Field Installable Connector FF DC-05 (for 5x14 AWG)
	Field Installable Connector FM DC-05 (for 5x14 AWG)

CONTROL AND CONNECTION OPTIONS

IN (1 m Cable with bare-end)

- 1) SJTW 5x14 AWG (13053693), Standard 1 m with bare-end, black or on request Cable SJTW 5x14 AWG (13053697), with bare-end, white
- 2) Junction Box Remote (4x Output)
- 3) Cable UL 20969 5x20 AWG (13053481), black or on request Cable UL 20969 5x20 AWG (13053696), white
- 4) Junction Box Remote (1x Output)

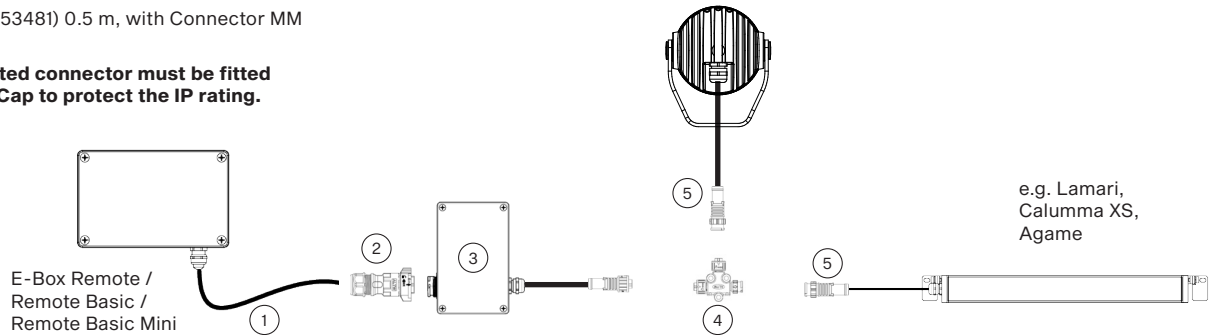


CONTROL AND CONNECTION OPTIONS

IN (0.5 m Cable 5x20 AWG with Connector MM)

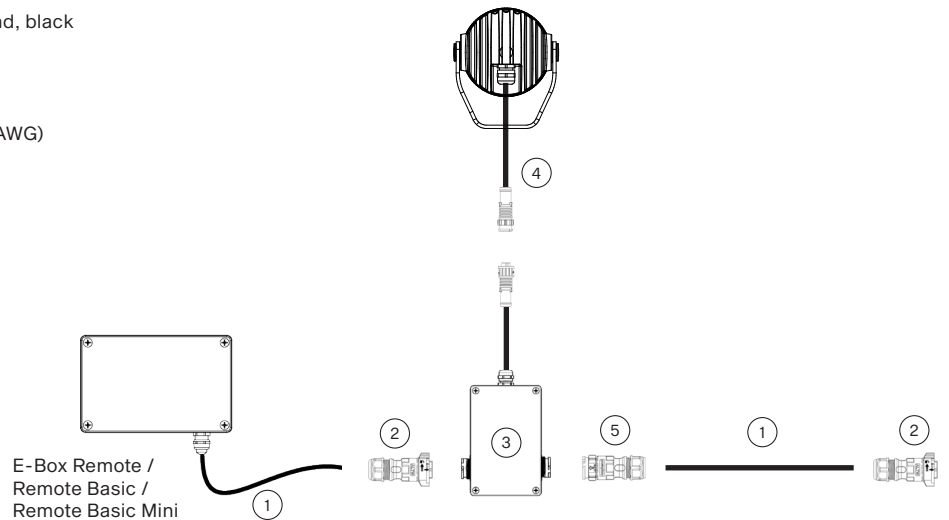
- 1) SJTW 5x14 AWG (13053693), Standard 1 m with bare-end, black or on request Cable SJTW 5x14 AWG (13053697), white
- 2) Field Installable Connector FF DC-05 (13053971)
- 3) Connection Box Remote 1x Out (14 AWG–14 AWG & 20 AWG) Cable (5x20 AWG) 0.1 m, with Connector FF
- 4) T-connector FMF (13053935)
- 5) Cable 5x20 AWG (13053481) 0.5 m, with Connector MM

Note: The last unmated connector must be fitted with an Waterproof Cap to protect the IP rating.



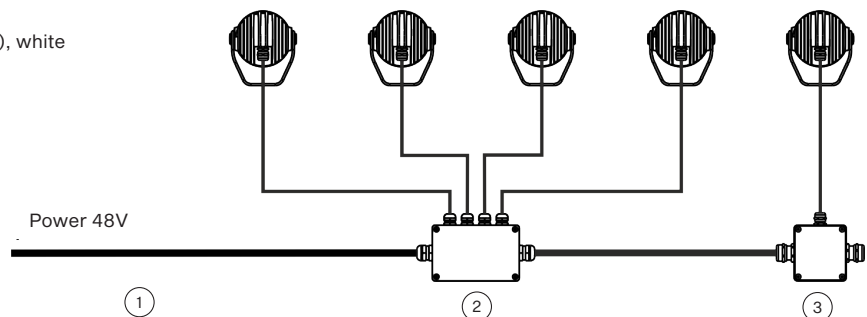
- 1) SJTW 5x14 AWG (13053693), Standard 1 m with bare-end, black or on request Cable SJTW 5x14 AWG (13053697), white
- 2) Field Installable Connector FF DC-05 (13053971)
- 3) Connection Box Remote 2x Out (14 AWG–14 AWG & 20 AWG) Cable (5x20 AWG) 0.1 m, with Connector FF
- 4) Cable (5x20 AWG) 0.5 m, with Connector MM
- 5) Field Installable Connector FM DC-05 (13053973)

Note: The last unmated connector must be fitted with an Waterproof Cap to protect the IP rating.



ON/OFF

- 1) Cable UL 20969 5x20 AWG (13053481), black or on request Cable UL 20969 5x20 AWG (13053696), white
- 2) Junction Box Remote (4x Output)
- 3) Junction Box Remote (1x Output)

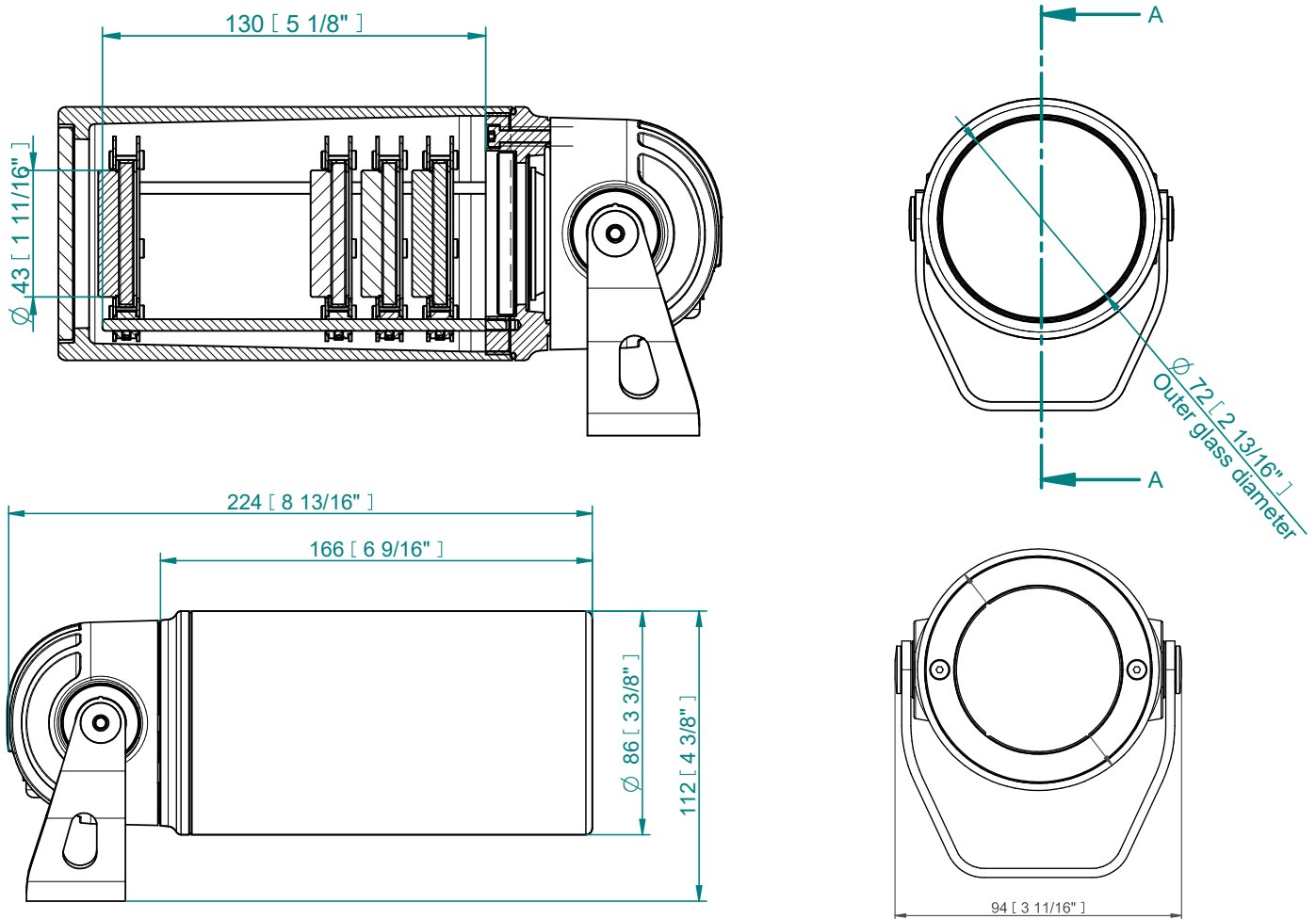


CONNECTIVITY

Following table shows maximum connected Calummas Arts XS SC in a row with respect of cable length.

Cable length	Per E-Box Remote	Per 1 LED output
50 m (max per 1 output)	40 pcs	20 pcs
100 m (total length, 2x output)		20 pcs

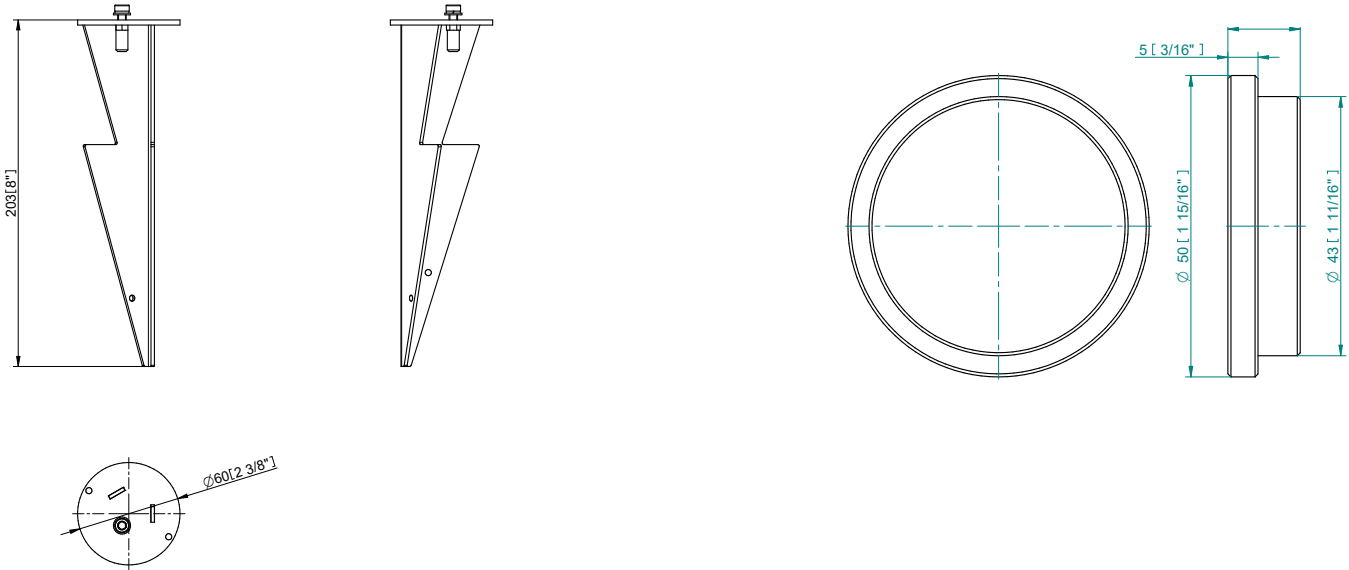
DIMENSIONS



ACCESSORIES

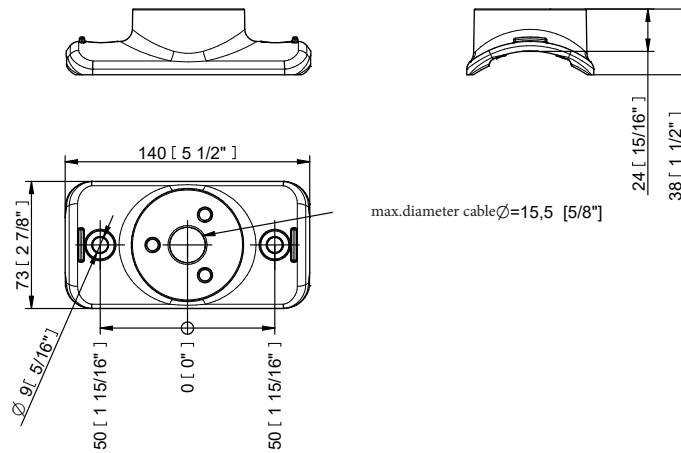
Land Spike for Calumma XS

for Calumma XS



Pole Adaptor (ø 102 mm, Yoke for pole Adaptor Required / PA)

Example of ordering code: Calumma XS SC RGBCW 15° PA



Floor Stand for Calumma Arts XS

