

CALUMMA™ ARTS XS MC

Using a single high-power LED inside a compact, elegant, and durable housing, the smallest Calumma is designed as an architectural luminaire with a distinctive artistic character. Suitable for both exterior and interior applications, it features four interchangeable lenses, eleven textured glass options, and additional optical possibilities including 9° and no optics, which can be freely combined to create highly original projections and virtually infinite lighting effects. Within the extended optical tube, the lenses and textured glass elements can be positioned and adjusted directly on site, allowing precise tuning of the resulting effect to suit the specific installation and making it an exceptionally flexible solution for architectural design.



KEY FEATURES

Lumen output & Light source

Luminaire with one high-power, multi-chip LED provides light output up to 331 lumens with an efficacy of 33 lm/w.

Design & Durability

Lightweight, compact, durable and stylish housing made of high-pressure die cast aluminium. IP67 and IK10 certification; suitable for marine applications (Harsh Environment Finish required) and traffic applications. Supported with a 5 year warranty.

Flexibility

Calumma Arts XS MC is an ultra-compact luminaire that combines versatility and elegance. With a wide selection of accessories and customizable colour finishes, it provides lighting designers with a flexible tool for the most demanding projects. Interchangeable lenses and textured glass elements can be freely mixed and matched to craft unique, original lighting effects tailored to each installation.

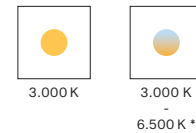
COLOURS

* UPON REQUEST



COLOUR TEMPERATURE

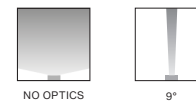
* UPON REQUEST



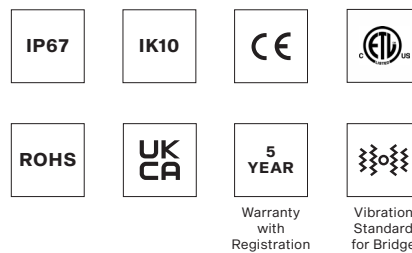
CONTROL & PROTOCOLS



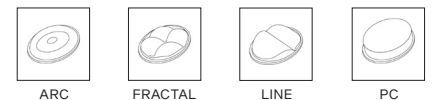
OPTIC OPTIONS



STANDARD & SPECIFICATION



LENSES

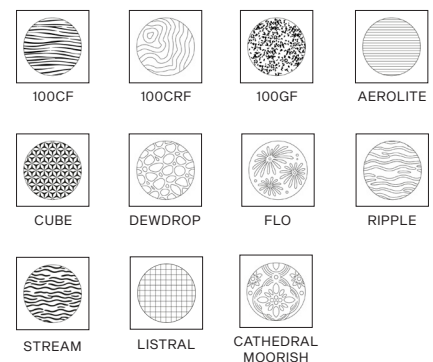


FINISH OPTIONS

* CLOSEST RAL TONE
* HE = Harsh Environment



TEXTURED GLASS



SPECIFICATION

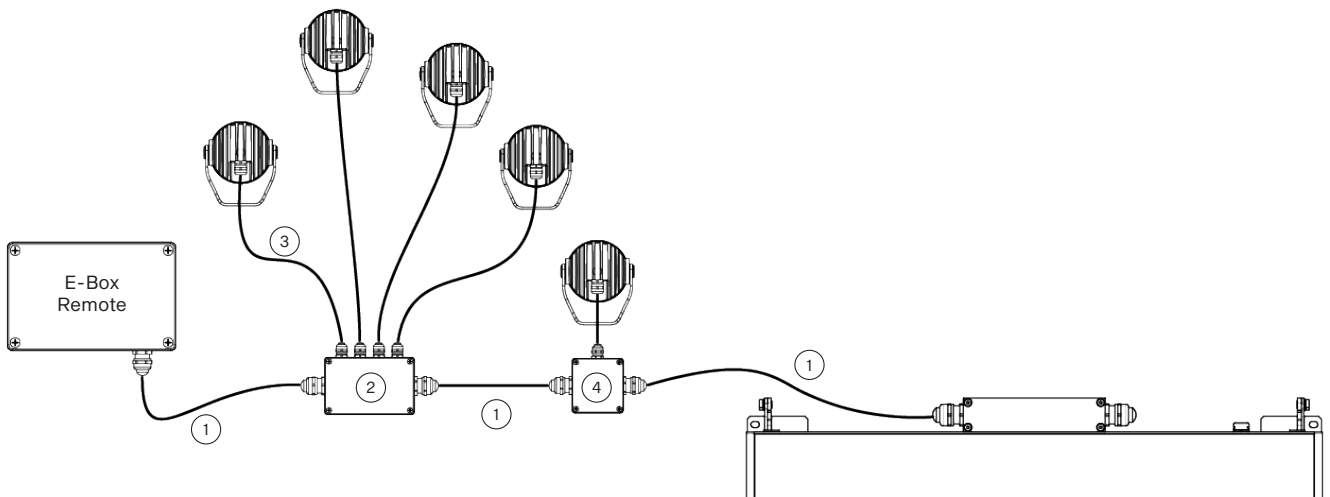
ELECTRICAL	Input Voltage	48 V		
	Typical Power Consumption	10 W +/-10 %		
OPTICAL	Light Source	High Power Multichip LED		
	Colour Variants	RGBW (W - 6500 K) RGBA PW (W - 3000 K) On Request: TW (3000–6500 K)		
	Beam Angle	9° No Optics		
	Lumen Output Delivered	331 lm (@9°RGBW)		
	Projected Lumen Maintenance	L90B10 >90.000 hrs, Ta = 25°C / 77°F		
CONTROL	Interface protocol	Via E-box Remote or E-box Remote Basic		
	E-Box Remote control protocol	USITT DMX512/RDM, ArtNet, MA Net, MA Net2, sACN, Kling-Net		
	Setting / addressing	E-box Remote, RDM communicator		
	Connectivity & Power Supply	E-Box Remote Remote Basic		
PHYSICAL	Width x Height x Depth	94 x 112 x 224 mm (3.7 x 4.4 x 8.8 in.)		
	Weight	1.4 kg 3.1 lbs		
	Housing	High Pressure Die-Cast Aluminium Body Tempered Glass		
	Finish Options	Standard Colour	Graphite Black RAL 9011 Grey Aluminium RAL 9007 Pure White RAL 9010 Sandstone RAL 1014	
		Standard Colour Harsh Environment	Graphite Black RAL 9011 Grey Aluminium RAL 9007 Pure White RAL 9010 Sandstone RAL 1014	
		Cost Option	Custom RAL	
	Cabels / Connectivity	IN (for DMX, DALI): - 1 m cable with bare end - Other cable length - custom - Junction box - optional	IN (for E-Box Version): - Cable (5x20 AWG) 0.5 m, with Connector MM	
	Mounting Method	Yoke or Yoke for Pole Adaptor		
	Adjustability	+180° / -180°		
	Protection Factor	IP67 (IP66 Junction Box) / Suitable For Wet Locations		
	IK Rating	IK10		
	Cooling System	Convection		
	Operating Ambient Temperature	-20°C / +50°C (-4°F / +122°F)		
CERTIFICATION	Listings	ETL / cETL, CE, RoHS, UKCA		
ACCESSORIES	Not Included Items	Re-enterable Electrical Insulating Resin		
		Land Spike for Calumma XS		
		Twin Wall Cover Calumma XS		
		Pole Adaptor (ø 102 mm) (Yoke for Pole Adaptor Required)		
		Floor Stand for Calumma Arts XS		
		Lenses for Calumma Arts XS	PC Lens Fractal Lens ARC Lens Line Lens	
		Textured Glass for Calumma Arts XS	Aerolite Glass DewDrop Glass Flo Glass Ripple Glass Cube Glass CF Glass CRF Glass GF Glass Stream Glass Cathedral Moorish Glass Listral Glass	

	Junction Box Remote (1x Output)
	Junction Box Remote (4x Output)
IN (1 m Cable with bare-end version)	Cable UL20969 5x20 AWG (black or white) - Calumma XS input cable
	Cable SJTW 5x14 AWG (black or white) - main connection between Junction Boxes
	Leader Cable FF 0.1 m CE AD-05
	Jumper Cable MM/FFCE AD-05 0.5 m 1 m 3 m 5 m
ACCESSORIES	T-connector FMF CE AB-AD-05
	Waterproof Cap for M connector AD-05
	Waterproof Cap for F connector AD-05
IN (0.5 m Cable 5x20 AWG with Connector MM version)	Cable SJTW 5x14 AWG (black or white) - main connection between Junction Boxes
	Connection Box Remote 1x Out (14 AWG–20 AWG)
	Connection Box Remote 2x Out (14 AWG–14 AWG & 20 AWG)
	Field Installable Connector FF DC-05 (for 5x14 AWG)
	Field Installable Connector FM DC-05 (for 5x14 AWG)

CONTROL AND CONNECTION OPTIONS

IN (1m Cable with bare-end)

- 1) SJTW 5x14 AWG (13053336), Standard with bare-end, black
or on request Cable SJTW 5x14 AWG (13053697), with bare-end, white
- 2) Junction Box Remote (4x Output)
- 3) Cable UL 20969 5x20 AWG (13053481), black
or on request Cable UL 20969 5x20 AWG (13053696), white
- 4) Junction Box Remote (1x Output)

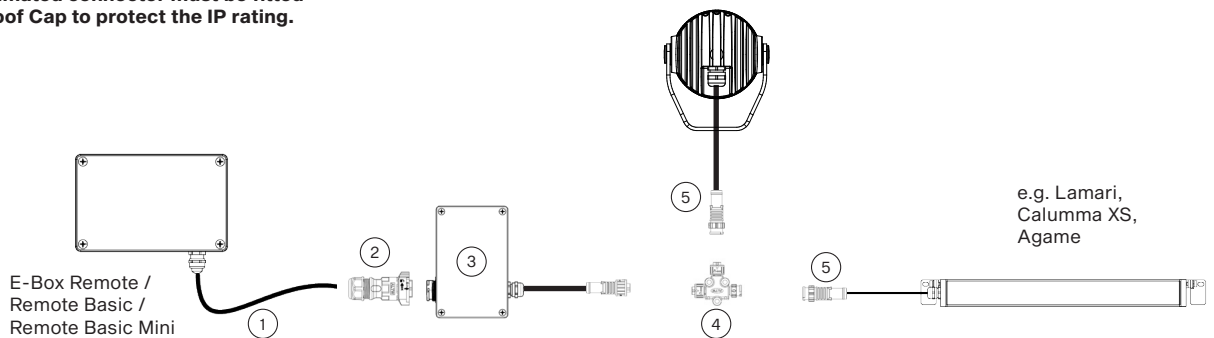


CONTROL AND CONNECTION OPTIONS

IN (0.5 m Cable 5x20 AWG with Connector MM)

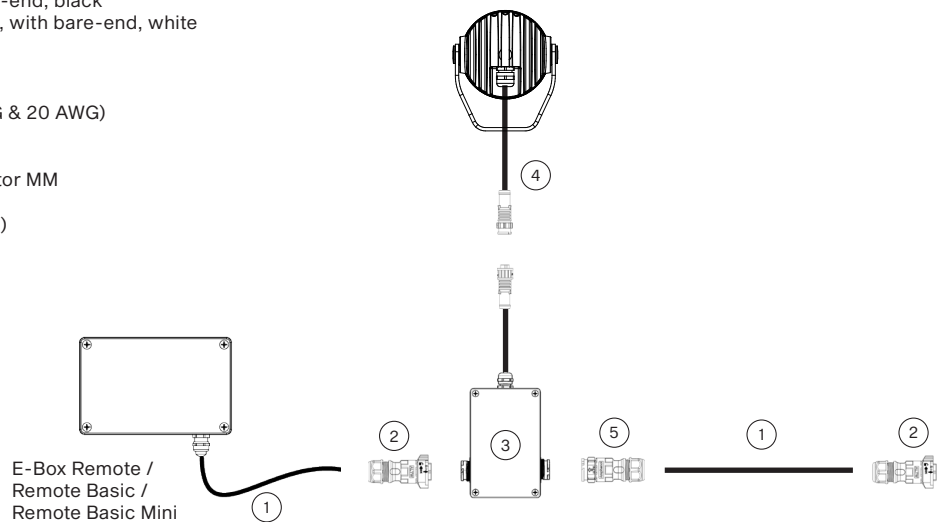
- 1) SJTW 5x14 AWG (13053693), Standard with bare-end, black or on request Cable SJTW 5x14 AWG (13053697), with bare-end, white
- 2) Field Installable Connector FF DC-05 (13053971)
- 3) Connection Box Remote 1x Out (14 AWG-to-20 AWG) Cable (5x20 AWG) 0.1m, with Connector FF
- 4) T-connector FMF (13053935)
- 5) Cable 5x20 AWG (13053481) 0.5 m, with Connector MM

Note: The last unmated connector must be fitted with an Waterproof Cap to protect the IP rating.



- 1) SJTW 5x14 AWG (13053693), Standard with bare-end, black or on request Cable SJTW 5x14 AWG (13053697), with bare-end, white
- 2) Field Installable Connector FF DC-05 (13053971)
- 3) Connection Box Remote 2x Out (14 AWG-14 AWG & 20 AWG) Cable (5x20 AWG) 0.1 m, with Connector FF
- 4) Cable 5x20 AWG (13053481) 0.5 m, with Connector MM
- 5) Field Installable Connector FM DC-05 (13053973)

Note: The last unmated connector must be fitted with an Waterproof Cap to protect the IP rating.

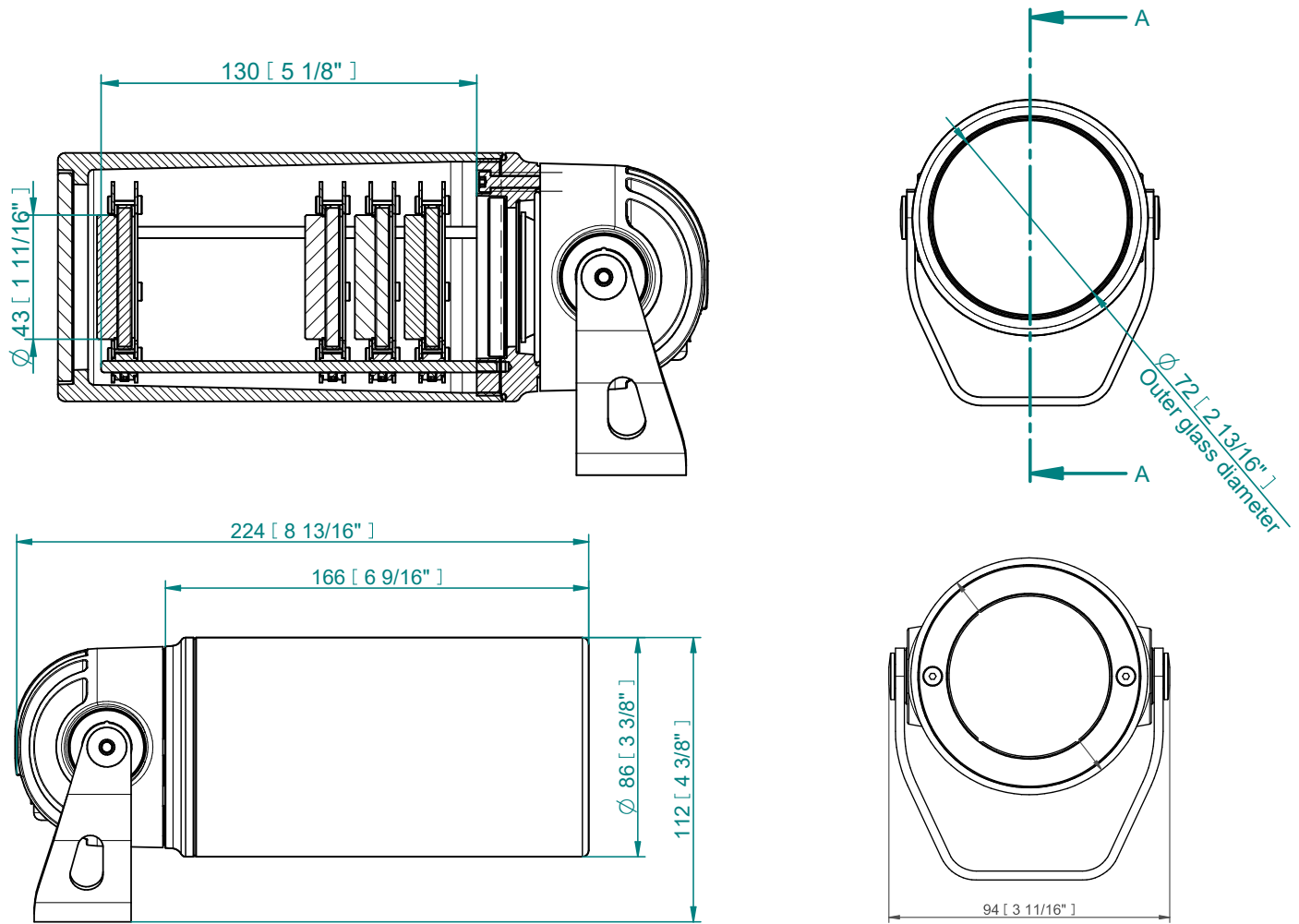


CONNECTIVITY

Following table shows maximum connected Calummas Arts XS SC in a row with respect of cable length.

Cable length	Per E-Box Remote	Per 1 LED output
50 m (max per 1 output)	40 pcs	20 pcs
100 m (total length, 2x output)		20 pcs

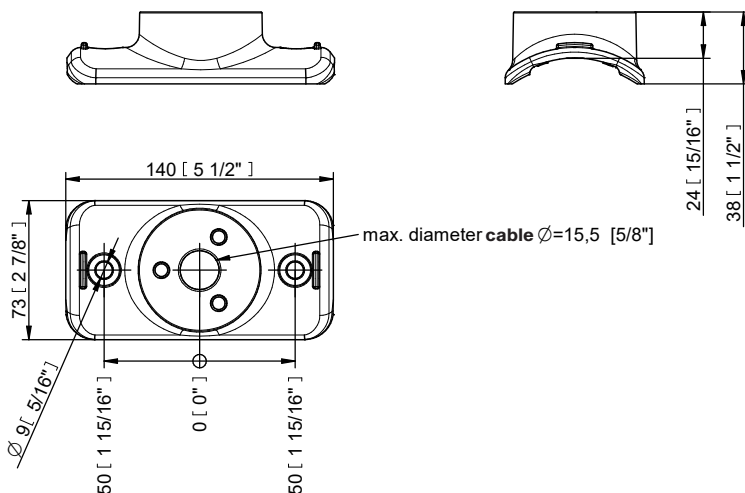
DIMENSIONS



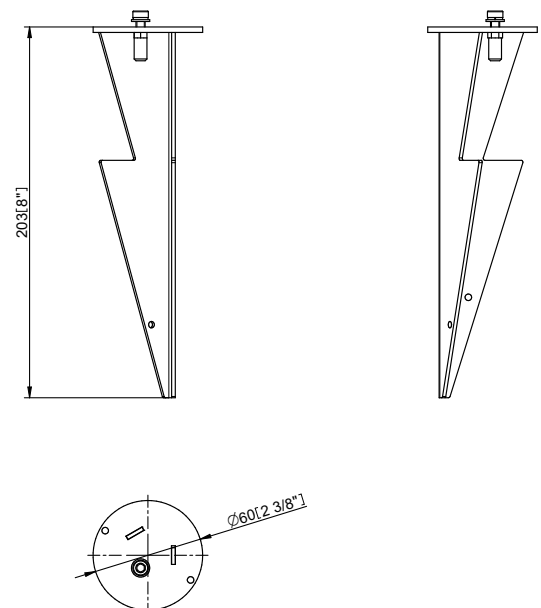
ACCESSORIES

Pole Adaptor (ø 102 mm, Yoke for pole Adaptor Required / PA)

Example of ordering code: Calumma XS MC RGCW 15° PA



Land Spike for Calumma XS



Floor Stand for Calumma Arts XS

