

## UVINERE REMOTE 1 / 2 / 4

An excellent solution for theme parks and entertainment venues where an attention-grabbing UV effect is required, UVinere Remote produces a true black light effect. Available in 1-foot, 2-foot or 4-foot models, UVinere Remote evenly distributes UV output with a wavelength of 365 nm for a wide range of installations and designs. Utilising a powered E-Box Remote, control for the UVinere Remote is made possible over DMX (hard-wired or wireless) or Ethernet protocols. Consistent with the design quality of the entire Anolis product portfolio, the UVinere Remote range is robust and extremely durable with IP67 and IK06 ratings.



### KEY FEATURES

#### Optics & Control

With a wavelength of 365 nm, UVinere Remote provides UVA black light using 10,000-hour lifetime LEDs which can be powered by E-Box Remote range and utilises DMX (wired or wireless) or ethernet protocols for control.

#### Physical

UVinere Remote is available in three physical models; 1-foot, 2-foot and 4-foot LED luminaires. At only 39 mm of total height, UVinere Remote is suitable for any low-profile application.

#### Durability

Robust and durable, UVinere Remote fulfills both IP67 and IK06 certification, backed by a 2-year warranty.

### COLOURS



### CONTROL & PROTOCOLS

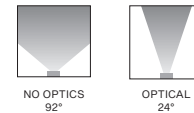


### FINISH OPTIONS

\* CLOSEST RAL TONE  
\* HE = Harsh Environment



### OPTIC OPTIONS



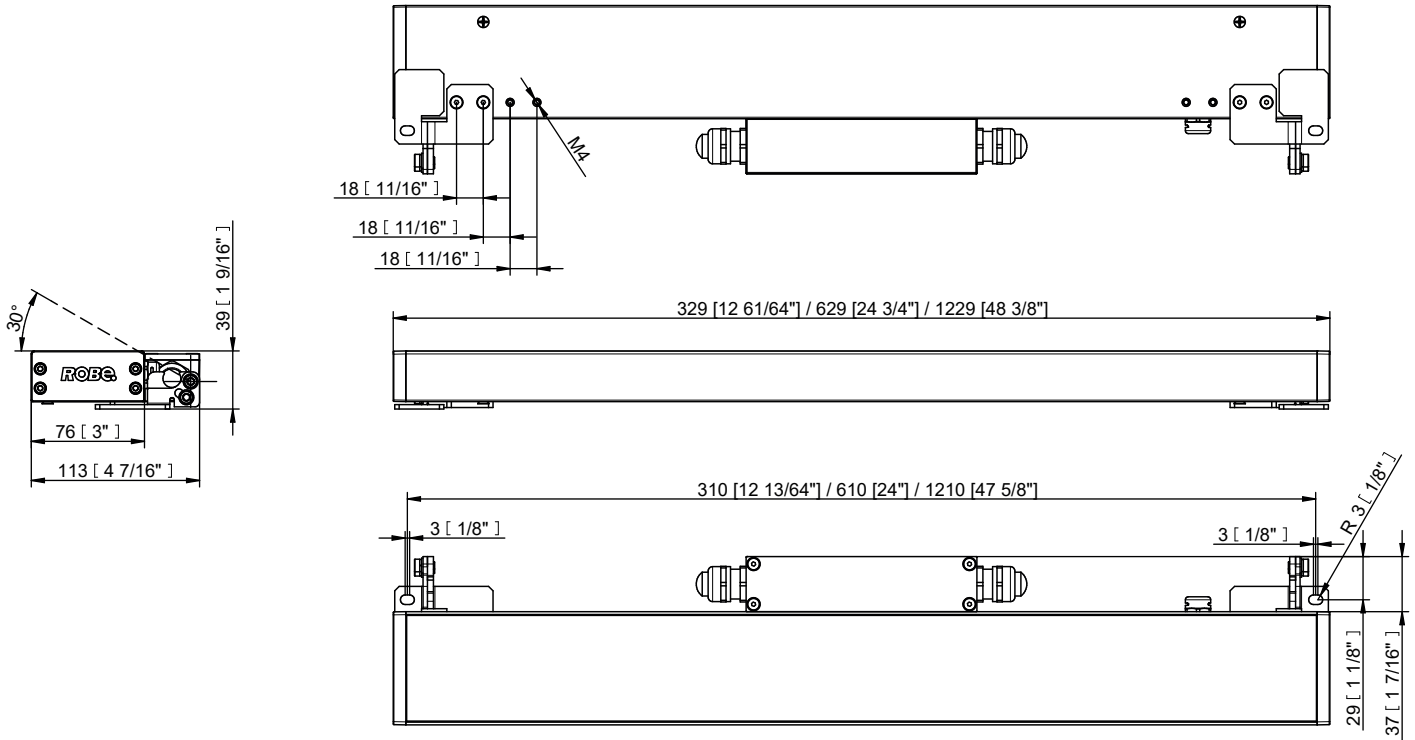
### STANDARD & SPECIFICATION



SPECIFICATION

<b>ELECTRICAL</b>	Input Voltage	48 V			
	Typical Power Consumption	<b>UVinere Remote 1:</b> 20 W	<b>UVinere Remote 2:</b> 40 W	<b>UVinere Remote 4:</b> 80 W	
<b>OPTICAL</b>	Light Source	<b>UVinere Remote 1 / 2 / 4:</b> 8 / 16 / 32x UV LEDs			
	UV-A LEDs Wave Length	365 nm			
	Beam Angle	<b>Optical version:</b> 24°	<b>Non-optical version:</b> 92°		
	LEDs lifetime	10.000 hrs			
<b>CONTROL</b>	Interface Protocol	Via E-Box Remote range			
	E-Box Remote Control Protocols	USITT DMX512, RDM, ArtNet, MA Net, MA Net2, sACN, Kling-Net			
	Settings / Addressing	Via Two Row LCD Display with Control Buttons on E-Box Remote or RDM communicator			
	Power Supply	Via E-Box Remote range			
	Connectivity	E-box Remote	16 pcs of UVinere Remote 1 (50m cable - total length) via 1 Output, 20 pcs in total for both Outputs (25m cable - total length)		
	E-box Remote basic				
<b>PHYSICAL</b>	Width x Height x Length	<b>UVinere Remote 1</b>	113 x 39 x 329 mm (4.45 x 1.54 x 12.95 in.)		
		<b>UVinere Remote 2</b>	113 x 39 x 629 mm (4.45 x 1.54 x 24.76 in.)		
		<b>UVinere Remote 4</b>	113 x 39 x 1229 mm (4.45 x 1.54 x 48.39 in.)		
	Weight	2 kg   4.41 lbs	3.1 kg   6.83 lbs	5.1 kg   11.24 lbs	
	Housing	High Pressure Extruded Aluminium Body			
		End Caps - Die-Cast Aluminium			
		Tempered Glass			
	Finish Options	Standard Colour	Graphite Black RAL 9011   Grey Aluminium RAL 9007 Pure White RAL 9010   Sandstone RAL 1014		
		Standard Colour Harsh Environment	Graphite Black RAL 9011   Grey Aluminium RAL 9007 Pure White RAL 9010   Sandstone RAL 1014		
		Cost Option	Custom RAL		
	Cables / Connections	Integrated Junction Box			
	Mounting Method	Surface Mount With Different Type of Brackets			
	Adjustability	+ 30°			
Protection Factor	IP67 / Suitable For Wet Locations				
IK Rating	IK06				
Cooling System	Convection				
Operating Ambient Temperature	-20 °C / +40 °C (-4 °F / +104 °F)				
Operating Temperature	+67°C @ Ambient +40°C (+153°F @ Ambient +104°F)				
<b>CERTIFICATION</b>	Listings	CE, RoHS, UKCA			
<b>ACCESSORIES</b>	<b>Not Included Items</b>				
	Cables	Cabel for UVinere Remote - bare end (custom length)			
	Mounting Brackets	Mounting Brackets 100   200   300 mm   custom length			
		Wall Mount Brackets for Eminere Remote			
		Re-enterable Electrical Insulating Resin			
Optical	Black Glass Adaptor for UVinere Remote 1 / 2 / 4				

**DIMENSIONS**



**PROJECTED AREA**

	Front (rear) - m <sup>2</sup>	Front (rear) ft <sup>2</sup>	Side - m <sup>2</sup>	Side - ft <sup>2</sup>	Top - m <sup>2</sup>	Top - ft <sup>2</sup>
<b>UVinere Remote 1</b>	0,012	0,129	0,004	0,043	0,035	0,377
<b>UVinere Remote 2</b>	0,022	0,237	0,004	0,043	0,058	0,624
<b>UVinere Remote 4</b>	0,042	0,452	0,004	0,043	0,104	1,119

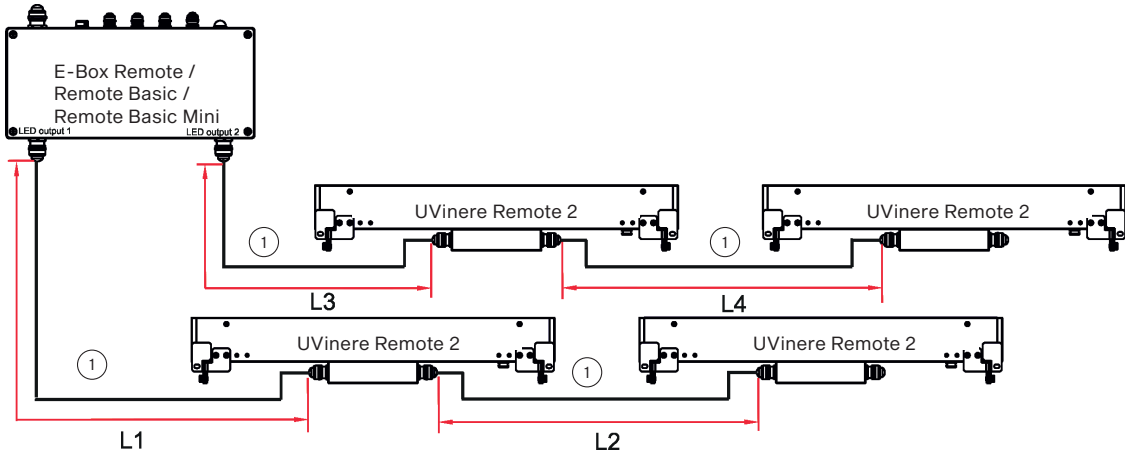
**CONNECTION**

The table states max. number of UVinere Remote modules connected to the E-box Remote or Remote Basic.

Cable length (m)	Max. number of UVineres Remote connected to the E-Box Remote or Remote Basic		
	UVINERE REMOTE 1	UVINERE REMOTE 2	UVINERE REMOTE 4
<b>25</b>	20	10	5
<b>50</b>	16	8	4
<b>75</b>	13	6	3
<b>100</b>	10	5	2

1) SJTW 5x 14AWG (13053336), black or On request Cable SJTW 5x 14AWG (13053697) white

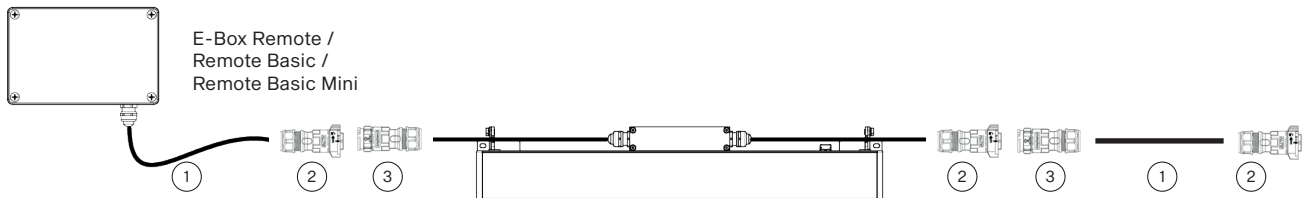
\* Cable length is a total cable length between E-box Remote (or Remote Basic) and last connected UVinere Remote. Example: Total cable length=L1+L2+L3+L4



Standard version (with connectors)

- 1) SJTW 5x 14AWG (13053336), Standard with bare-end, black, or On request Cable SJTW 5x 14AWG (13053697), with bare-end, white
- 2) Field Installable Connector FF DC-05 (13053971)
- 3) Field Installable Connector MM DC-05 (13053972)

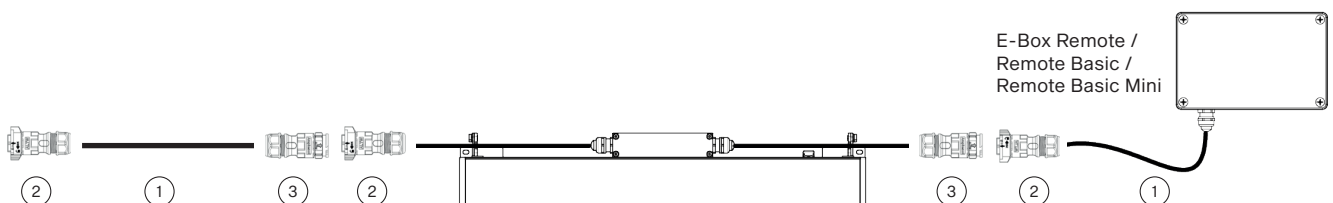
**Note: The last unmated connector must be fitted with an Waterproof Cap to protect the IP rating.**



Right Input - (RI)

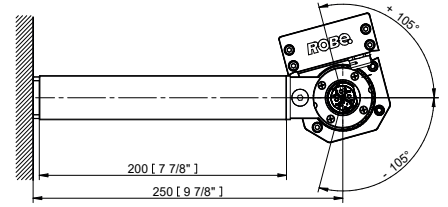
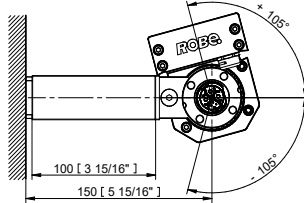
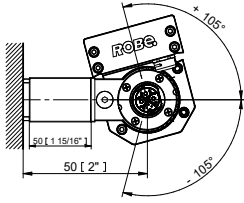
- 1) SJTW 5x 14AWG (13053336), Standard with bare-end, black, or On request Cable SJTW 5x 14AWG (13053697), with bare-end, white
- 2) Field Installable Connector FF DC-05 (13053971)
- 3) Field Installable Connector MM DC-05 (13053972)

**Note: The last unmated connector must be fitted with an Waterproof Cap to protect the IP rating.**

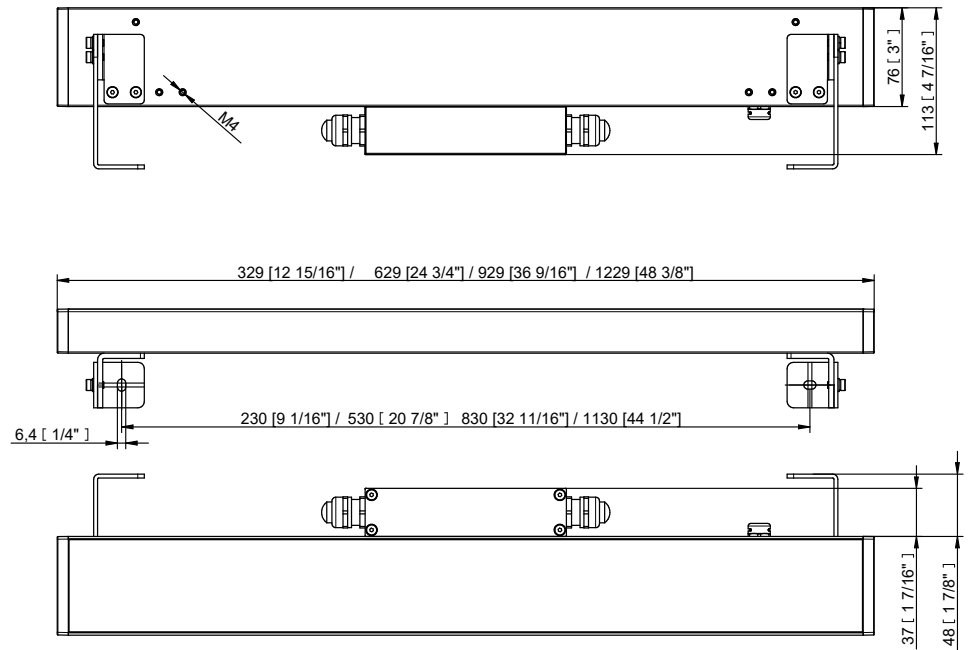
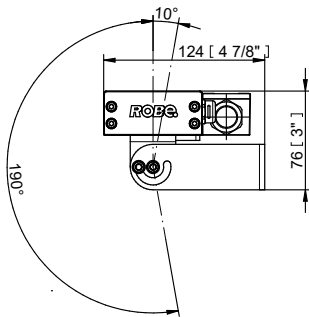


ACCESSORIES

Mounting brackets



Wall Mount Brackets for Eminere Remote



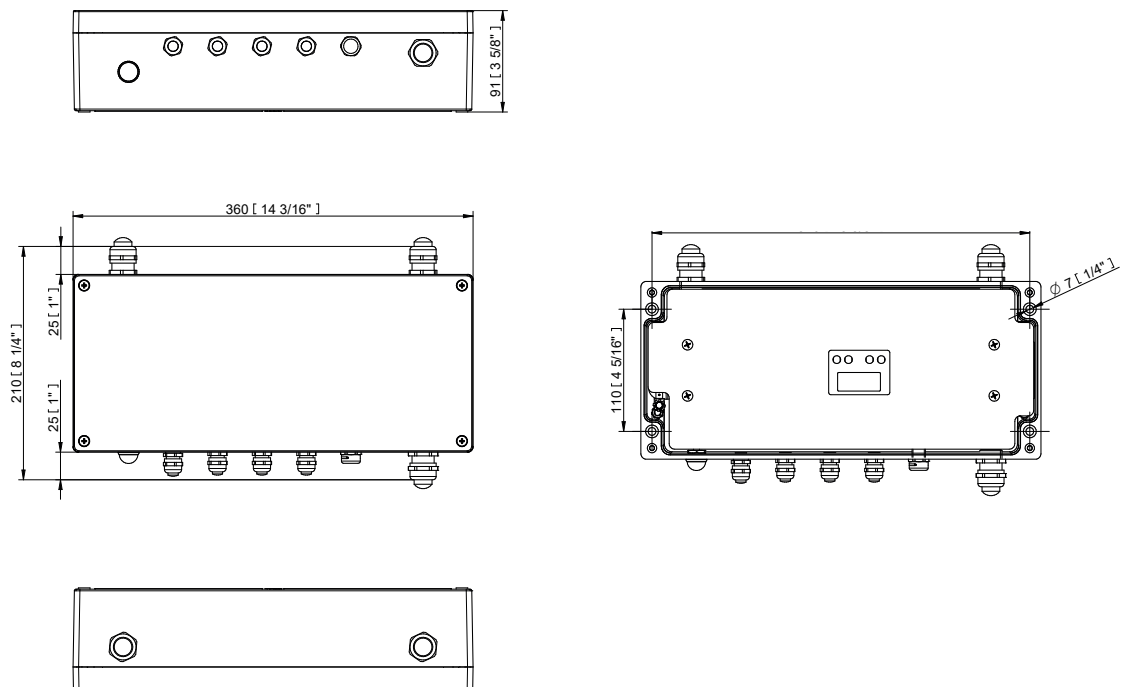
**E-BOX REMOTE SPECIFICATION**

<b>ELECTRICAL</b>	Input Voltage	120 – 277 V AC 50/60 Hz
	Typical Power Consumption	520 W
<b>CONTROL</b>	Wireless DMX (Option)	Lumen Radio CRMX Technology
	Interface Protocol	USITT DMX512+RDM, ArtNet, MA Net, MA Net2, sACN, Kling-Net
	Operating Modes	Fixture Mode, Pixel Mode, Output Mode
	Display	Via Two Row LCD Display with Control Buttons or RDM communicator
	Control System	E-box With Self Addressing Feature or Custom Setting Via LCD Display/RDM
	Power Supply	Integrated in E-box Remote
	Connectivity	16 pcs of UVinere Remote 1 (50m cable - total length) via 1 Output, 20 pcs in total for both Outputs (25m cable - total length)
<b>PHYSICAL</b>	Length x Width x Height   Weight	360 x 210 x 91 mm (14.17 x 8.27 x 3.58 in.)   5.5 kg / 12.13 lbs
	Number of LED Output zones	2
	Max. Load Per Output	8 pcs of UVinere Remote 2 (50m cable) via 1 Output
	Housing	Die-Cast Aluminium Case
	Finish Options	Standard Colour - Graphite Black (RAL 9011)   Silver (RAL 9006)
		Cost Option - Custom RAL   Harsh Environment (RAL 9016, RAL 9011)
	Cables / Connections	Cable Grommet (stainless steel)
	Mounting Method	Surface Mount, 4 Mounting Holes
	Protection Factor	IP65 / Suitable For Wet Locations
	IK Rating	IK10
	Cooling System	Convection
Operating Ambient Temperature	-20 °C / +40 °C (-4 °F / +104 °F)	
<b>CERTIFICATION</b>	Listings	ETL / cETL, CE, RoHS, UKCA

**E-BOX REMOTE BASIC SPECIFICATION**

<b>ELECTRICAL</b>	Input Voltage	120 - 277 V AC 50/60 Hz
	Typical Power Consumption	520 W
<b>CONTROL</b>	Power supply	Integrated
	Connectivity	16 pcs of UVinere Remote 1 (50m cable - total length) via 1 Output, 20 pcs in total for both Outputs (25m cable - total length)
<b>PHYSICAL</b>	Length x Width x Height   Weight	360 x 210 x 91 mm (14.17 x 8.27 x 3.58 in.)   5 kg / 11.02 lbs
	Number of LED Output zones	2
	Max. Load Per Output	8 pcs of UVinere Remote 2 (50 m cable) via 1 Output
	Housing	Die-Cast Aluminium Case
	Finish Options	Standard Colour - Graphite Black (RAL 9011)   Silver (RAL 9006)
		Cost Option - Custom RAL,   Harsh Environment (RAL 9016, RAL 9011)
	Cables / Connections	Cable Grommet (stainless steel)
	Mounting Method	Surface Mount, 4 Mounting Holes
	Protection Factor	IP65 / Suitable For Wet Locations
	IK Rating	IK10
	Cooling System	Convection
Operating Ambient Temperature	-20 °C / +40 °C (-4 °F / +104 °F)	
<b>CERTIFICATION</b>	Listings	ETL / cETL, CE, RoHS, UKCA

E-BOX REMOTE DIMENSIONS



E-BOX REMOTE BASIC DIMENSIONS

