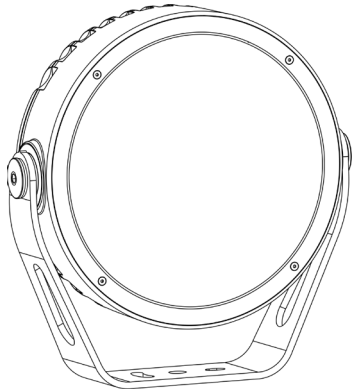


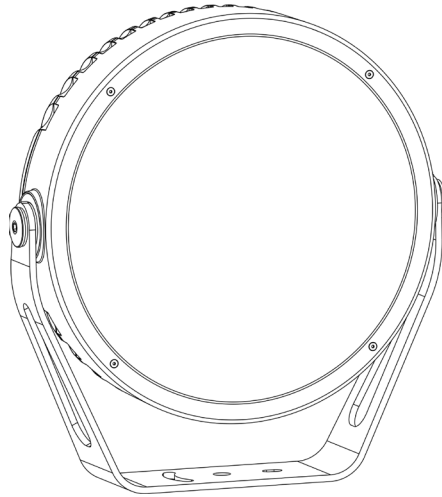
QR code for Installations Instructions



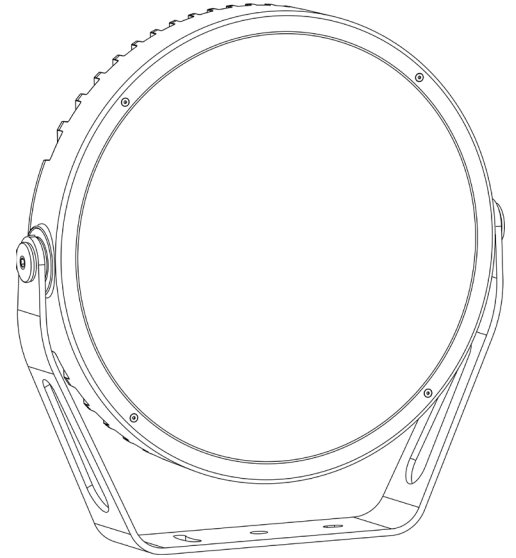
Fixture must be installed by a qualified electrician in accordance with all national and local electrical and construction codes and regulations. This device falls under class one and must be grounded!



CALUMMA M



CALUMMA L



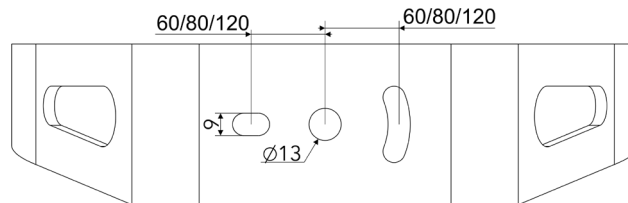
CALUMMA XL

STEP 1
CALUMMA INSTALLATION USING YOKE

1

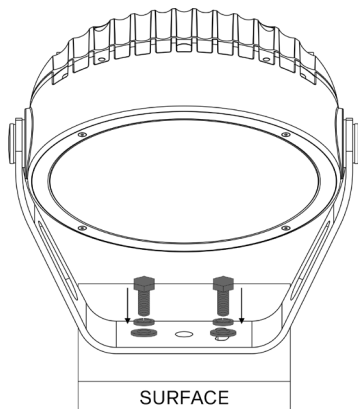


Use fasteners that are appropriate for use with your mounting surface

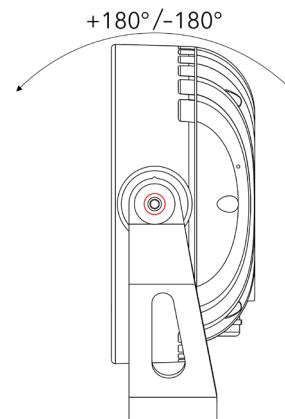


Drill two holes into the surface according the given dimensions(Calumma M/L/XL)

2



3



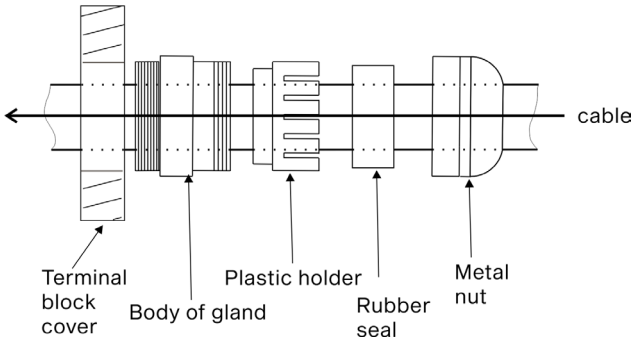
Fasten the Yoke of the fixture to the surface by two washers, spring washers and screws.

Use an Allen key to release tilting lock on each side of luminaire and adjust tilt of LED module in range of +180°/-180°.

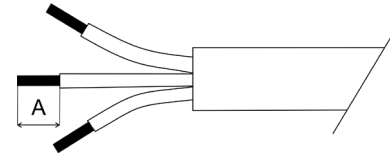
**STEP 2
CABLE GLAND INSTALLATION**

Slip the cable through the gland according to the picture below and do not assemble the gland yet.

Use wrench size 22 for cable gland M20x1.5



Strip these lengths for cable connections.



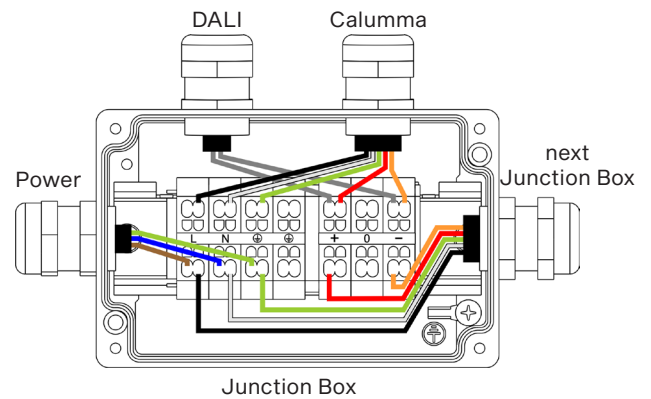
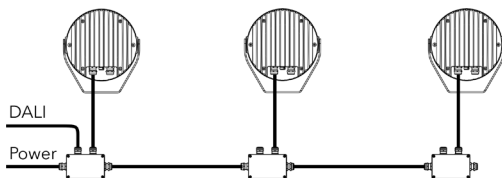
A	
Power Connection	9mm
Data Connection	9mm

**STEP 3
CONNECTION - CE
(JUNCTION BOX IS NOT PART OF THE PACKAGE)**

A DALI

Connection – colour coding

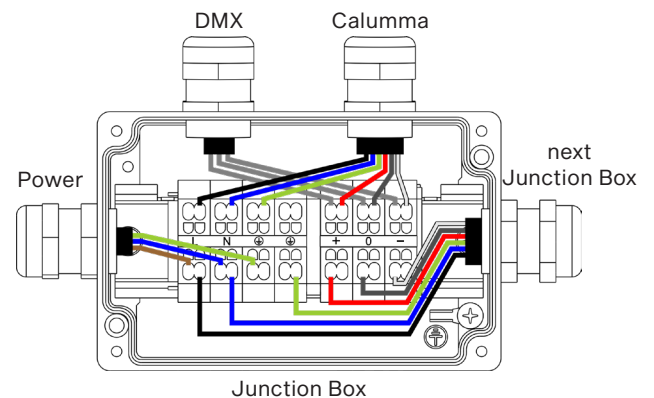
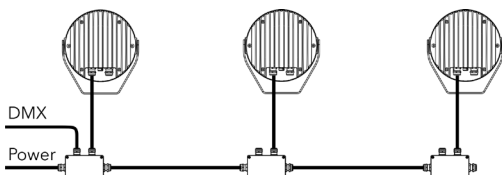
WIRE	POWER CONNECTION	WIRE	DATA CONNECTION
Black	L	Red	Data + (+)
White	N	Orange	Data - (-)
Green/Yellow	⊕	/	Data 0V (0)



B DMX

Connection – colour coding

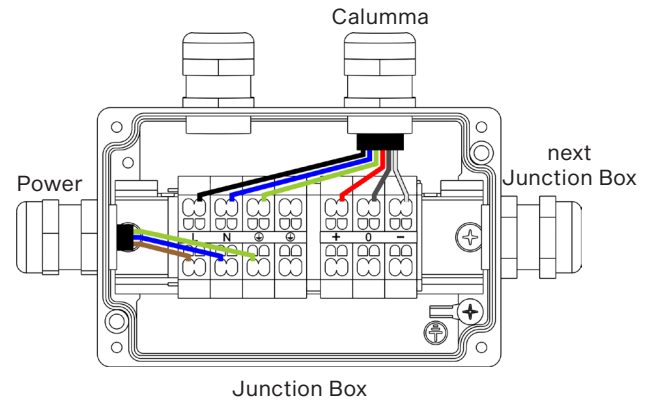
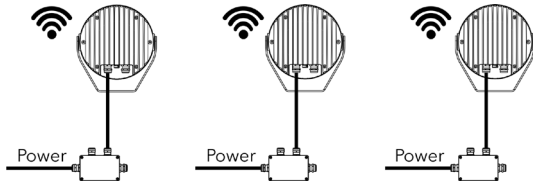
WIRE	POWER CONNECTION	WIRE	DATA CONNECTION
Black	L	Red	Data + (+)
Blue	N	White	Data - (-)
Green/Yellow	⊕	Shielding	Data 0V (0)



C WIRELESS DMX - each fixture

Connection – colour coding

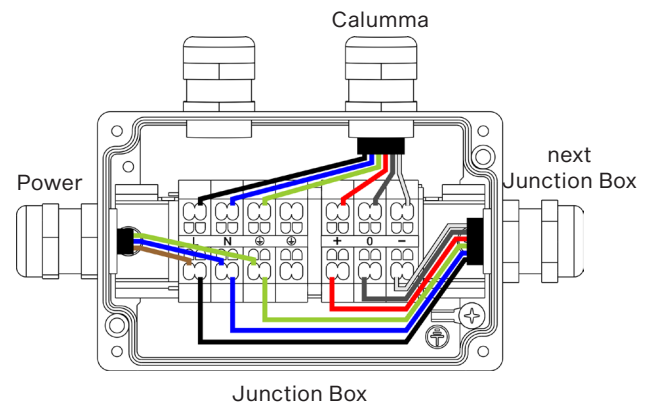
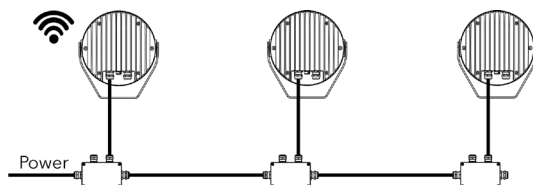
WIRE	POWER CONNECTION	WIRE	DATA CONNECTION
Black	L	Red	Data + (+)
Blue	N	White	Data - (-)
Green/Yellow	⊕	Shielding	Data 0V (0)



D WIRELESS DMX - first fixture

Connection – colour coding

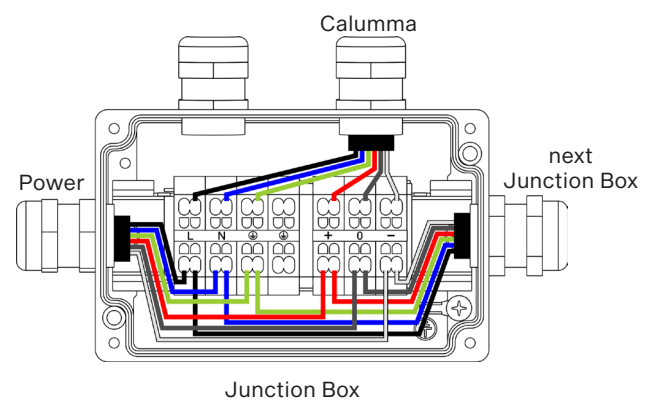
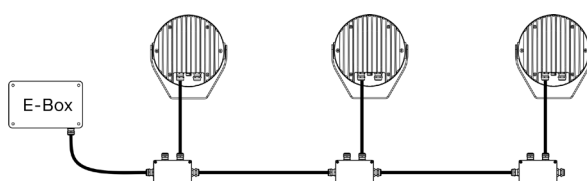
WIRE	POWER CONNECTION	WIRE	DATA CONNECTION
Black	L	Red	Data + (+)
Blue	N	White	Data - (-)
Green/Yellow	⊕	Shielding	Data 0V (0)



E DMX or ETHERNET via E-Box

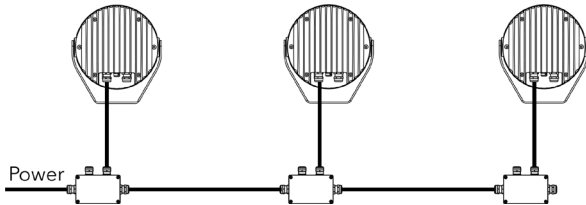
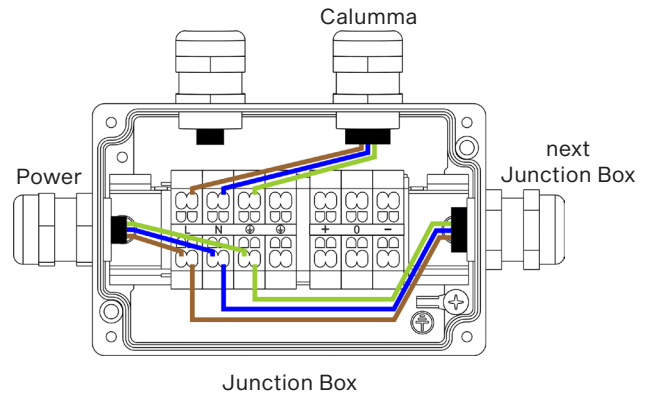
Connection – colour coding

WIRE	POWER CONNECTION	WIRE	DATA CONNECTION
Black	L	Red	Data + (+)
Blue	N	White	Data - (-)
Green/Yellow	⊕	Shielding	Data 0V (0)

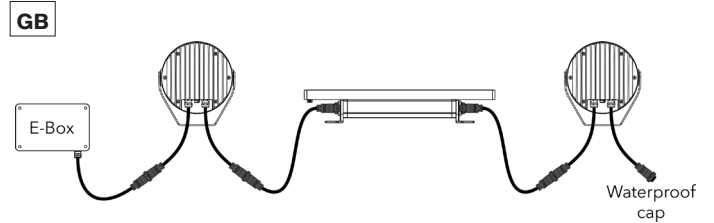
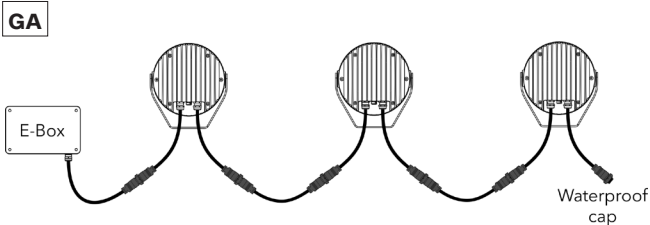


F Power ON/OFF

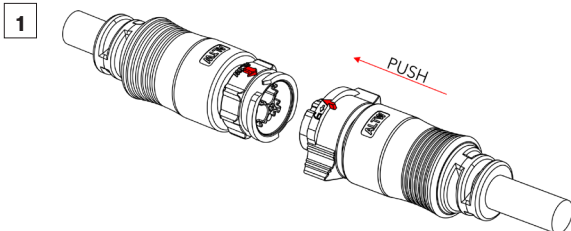
Connection – colour coding	
WIRE	POWER CONNECTION
Brown	L
Blue	N
Green/Yellow	⊕



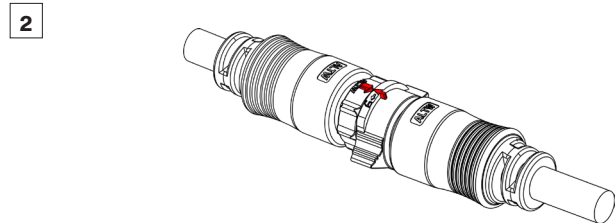
G DMX or ETHERNET via E-Box with Leader and Jumper Cable



LOCK

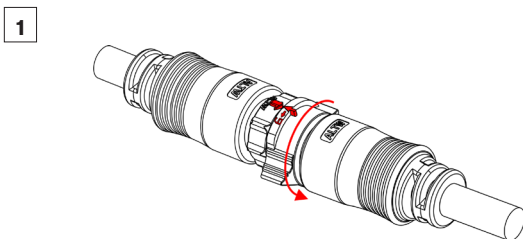


Please align the arrow symbol and mate the connector. Do NOT rotate the connector. Correct connection should be signaled by silent „click“ sound.

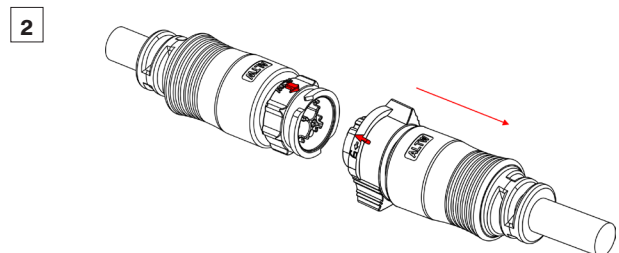


Mating complete.

UNLOCK



Rotate NUT 30 degrees anti-clockwise, same as the arrow direction. (Please do not rotate clockwise during unmating process)

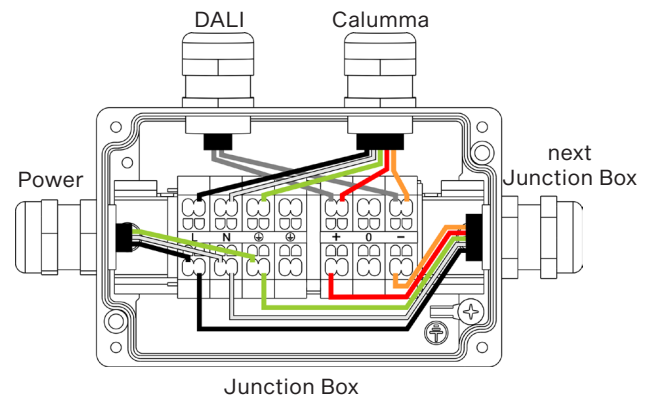
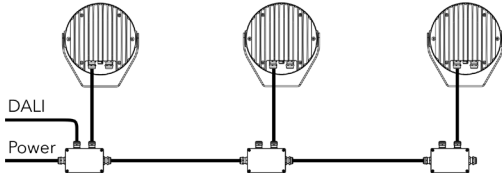


Drop out.

CONNECTION - US
(JUNCTION BOX IS NOT PART OF THE PACKAGE)

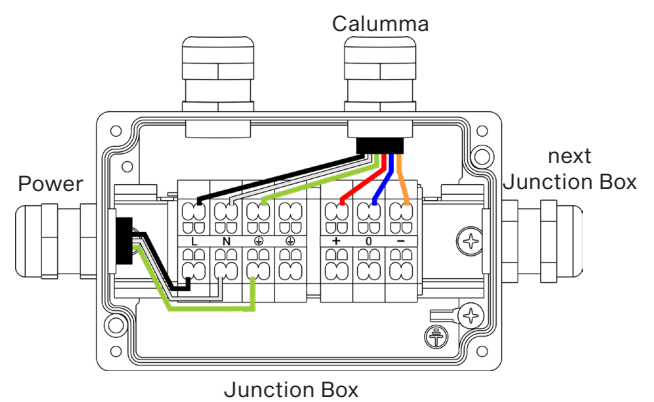
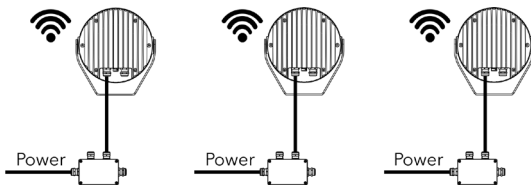
A DALI Connection – colour coding

WIRE	POWER CONNECTION	WIRE	DATA CONNECTION
Black	L	Red	Data + (+)
White	N	Orange	Data - (-)
Green/Yellow	⊕	/	Data 0V (0)



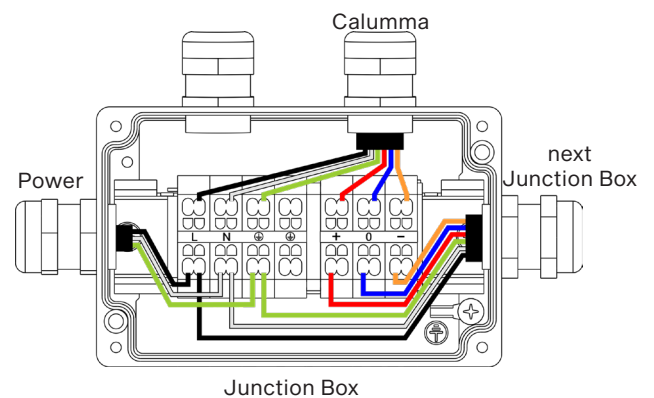
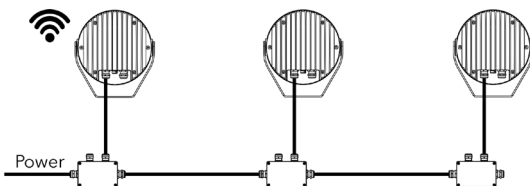
B WIRELESS DMX - each fixture Connection – colour coding

WIRE	POWER CONNECTION	WIRE	DATA CONNECTION
Black	L	Red	Data + (+)
White	N	Orange	Data - (-)
Green/Yellow	⊕	Blue	Data 0V (0)



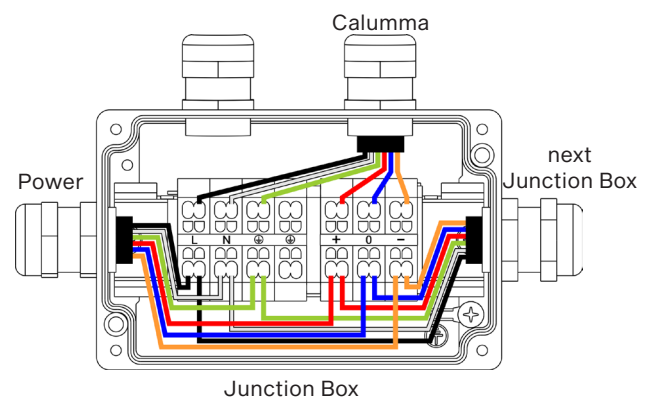
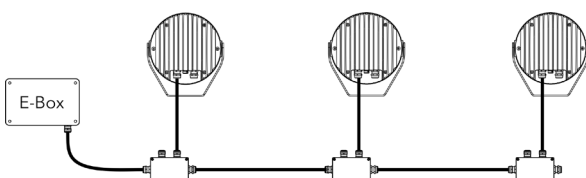
C WIRELESS DMX - first fixture Connection – colour coding

WIRE	POWER CONNECTION	WIRE	DATA CONNECTION
Black	L	Red	Data + (+)
White	N	Orange	Data - (-)
Green/Yellow	⊕	Blue	Data 0V (0)



D DMX or ETHERNET via E-Box Connection – colour coding

WIRE	POWER CONNECTION	WIRE	DATA CONNECTION
Black	L	Red	Data + (+)
White	N	Orange	Data - (-)
Green/Yellow	⊕	Blue	Data 0V (0)



DMX connection

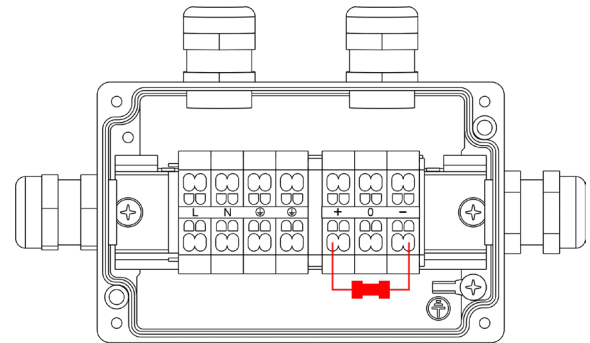
NOTE: DMX line of Calummas M/L/XL has to be terminated at the last fixture.

EITHER connect a 120 Ohm resistor between terminals + and - in the junction box at last fixture.

OR terminate via RDM Set the 'Manufacturer PID' 'Terminator active' to '1' at last fixture by means of RDM Control Panel.

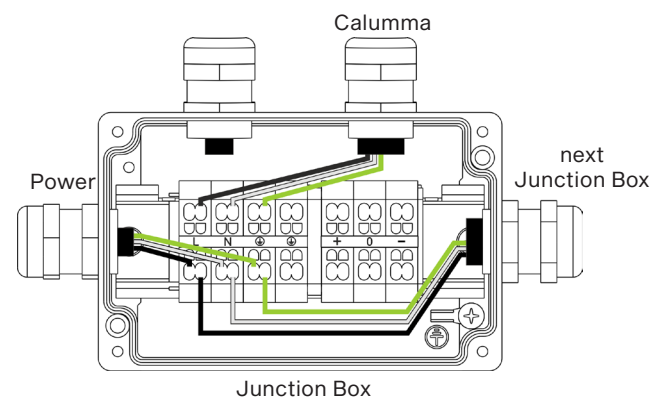
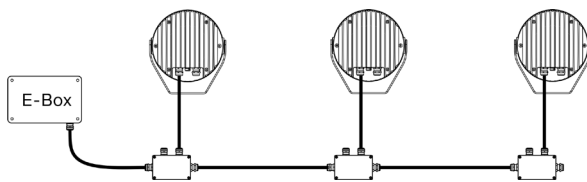


⚠ Ensure ONLY the last fixture in the line is terminated using ⚠ ONE of the above methods!
If connected to E-box Star, the last fixture on each line needs to be terminated.



E Power ON/OFF

Connection – colour coding	
WIRE	POWER CONNECTION
Black	L
White	N
Green	⊕



**STEP 4
CABLE GLAND INSTALLATION**

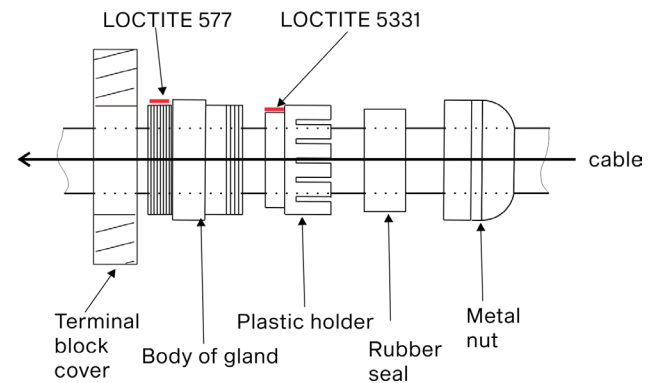
Assemble the cable gland according to the picture.

Use wrench size 22 for cable gland M20x1.5

Install Cable glands individually!

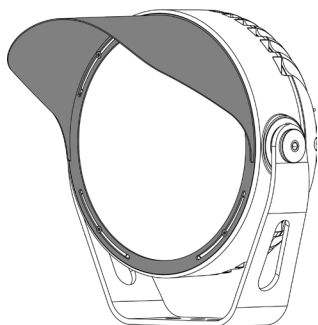
We recommend to apply an adequate layer of the paste LOCTITE 5331 on the plastic holder of the cable gland before inserting in into the body of the gland and an adequate layer of the paste LOCTITE 577 on the thread of the gland body.

Failure to properly install cable glands will result in failure of the water tight seal!

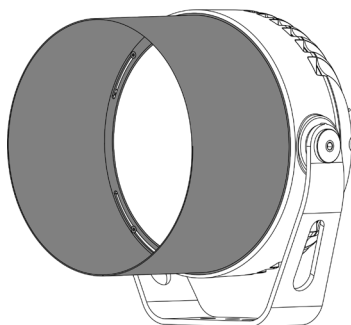


STEP 5
INSTALLATION OF ACCESSORIES

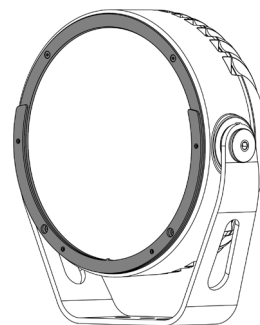
HALF TOPHAT



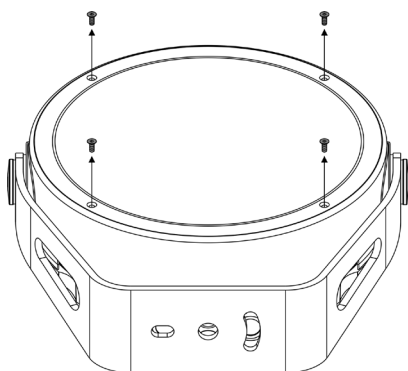
TOPHAT



OPTICAL DEMO SET

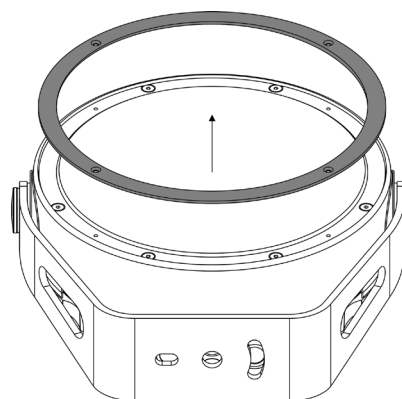


1
4X  M3x8



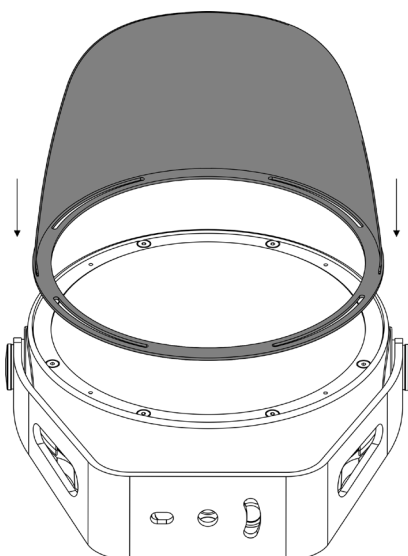
Screw-out 4 screws from the cover plate.

2



Remove the cover plate.

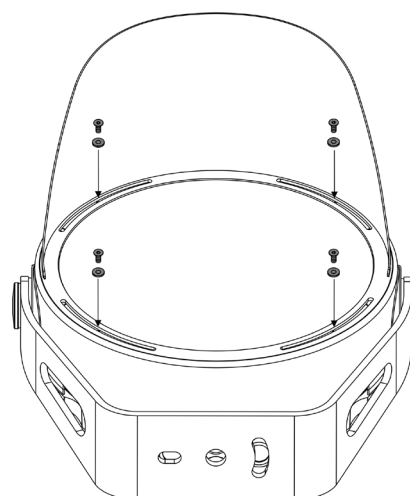
3



Place the accessories (TOPHAT, HALF TOPHAT, OPTICAL DEMO SET) onto luminaire and centre it.

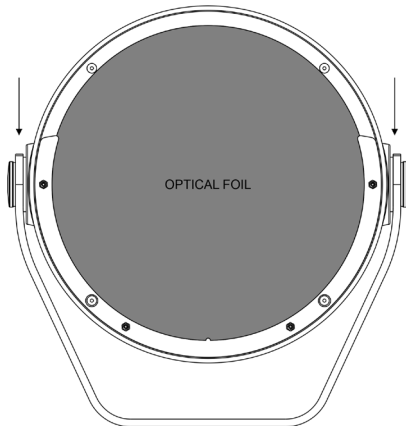
4

4X  M3x8



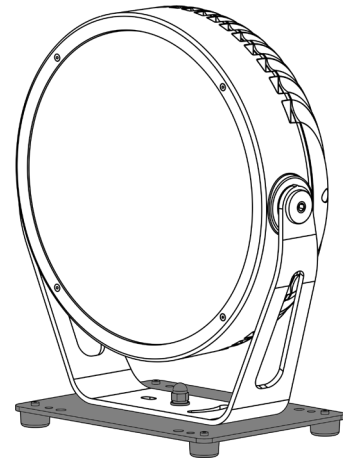
Fasten the accessories (TOPHAT, HALF TOPHAT, OPTICAL DEMO SET) to the luminaire by the 4 packed-in washers and screws.

5 Only for Optical Demo Set

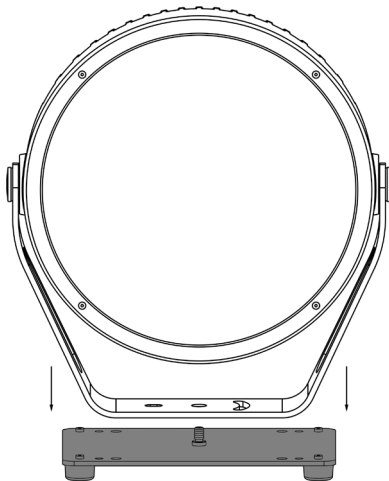


Slide the Optical foil into the space of Optical Demo Set.

FLOOR STAND

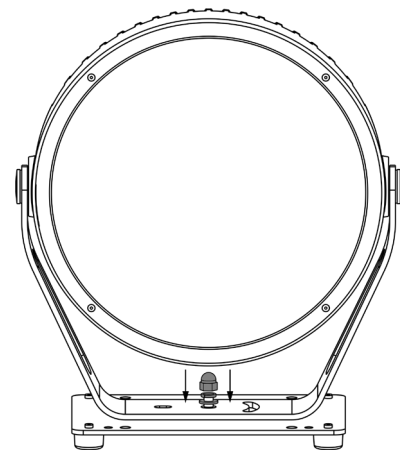


1



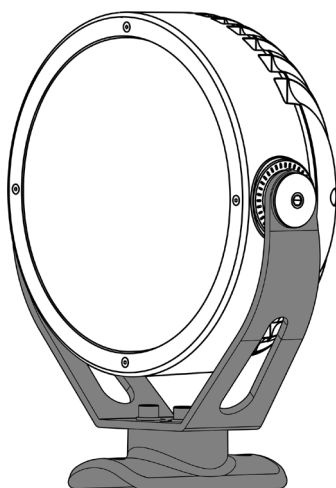
Place the luminaire on tenon on the Floor Stand.

2

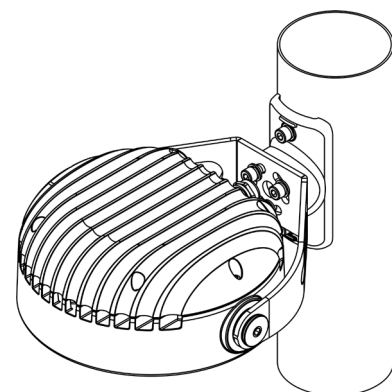


The Luminaire fasten by one washer one flexible washer and one nut closed.

POLE ADAPTOR

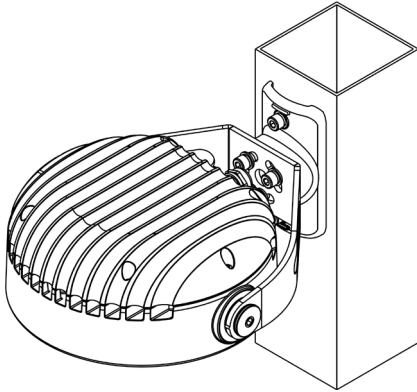


A



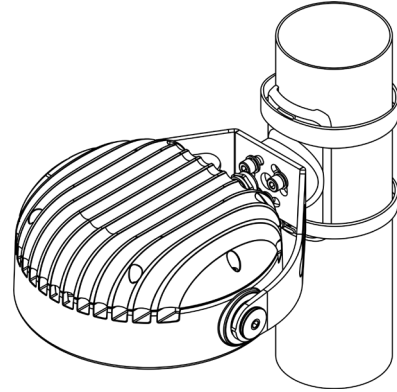
Installations on POLE(diameter 76-116mm) with two screws.

B



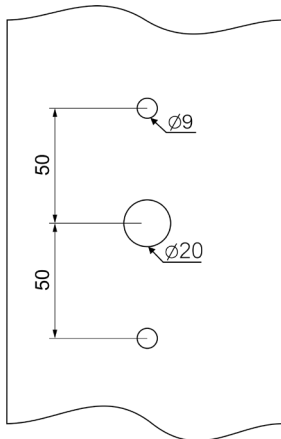
Installation on FLAT POLE with two screws.

C



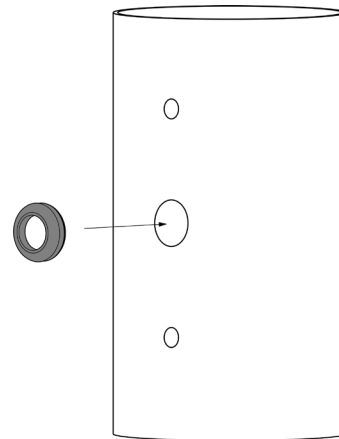
Installation on POLE (diameter 76-116mm) with suitable stainless steel mounting bands. Maximum width is 20mm (not included packing).

A1



Drill three holes into the surface according the given dimensions.

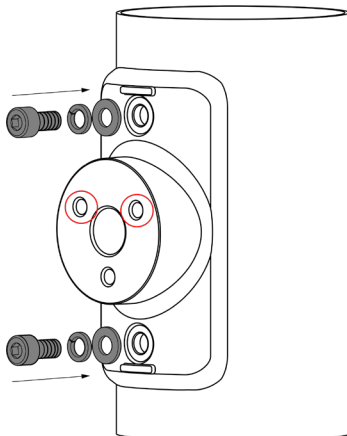
A2



Insert the cable gland into the middle hole.

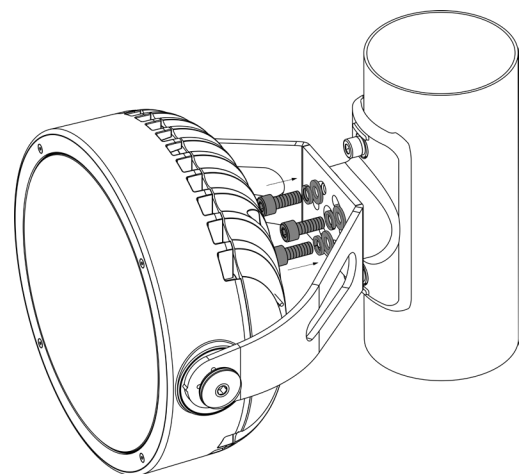
A3

! Pole Adaptor must be installed with two holes up **!**



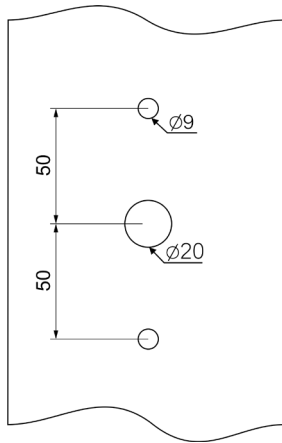
Fasten the Pole Adaptor on the surface by two screws, spring washers and washers.

A4



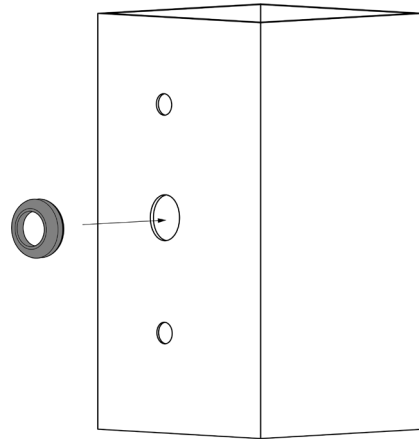
Fasten the Luminaire on the Pole Adaptor by three screws, spring washers and washers.

B1



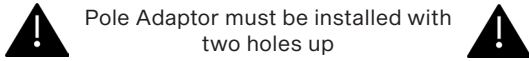
Drill three holes into the surface according to the given dimensions.

B2

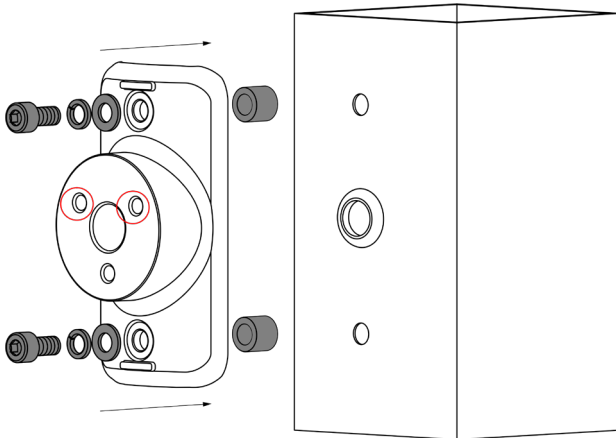


Insert the cable gland into the middle hole.

B3

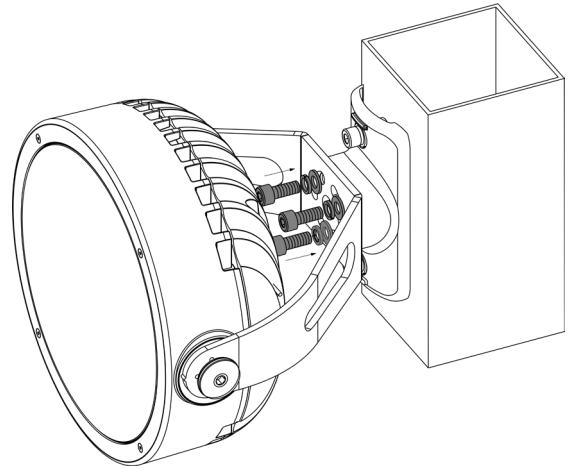


Pole Adaptor must be installed with two holes up



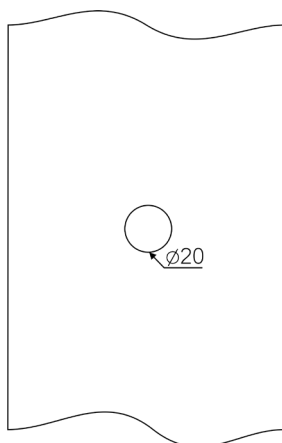
Fasten the Pole Adaptor on the surface by two screws, spring washers, washers and spacers.

B4



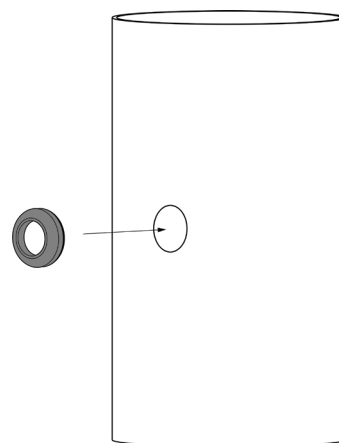
Fasten the Luminaire on the Pole Adaptor by three screws, spring washers and washers.

C1



Drill one hole into the surface according to the given dimension.

C2

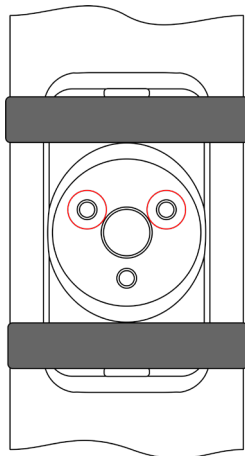


Insert the cable gland into the hole.

C3

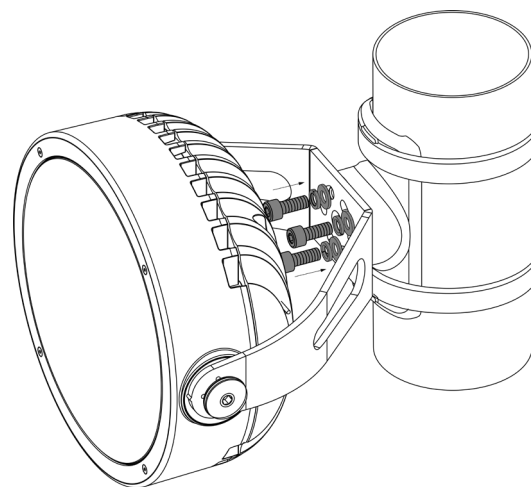


Pole Adaptor must be installed with
two holes up



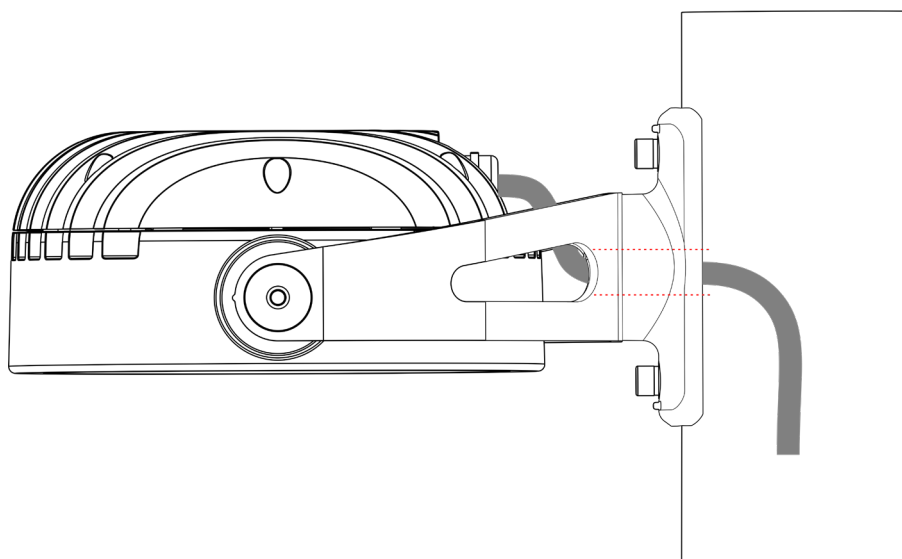
Installation Pole Adaptor with two suitable stainless steel
mounting bands.

C4



Fasten the Luminaire on the Pole Adaptor by three screws,
spring washers and washers.

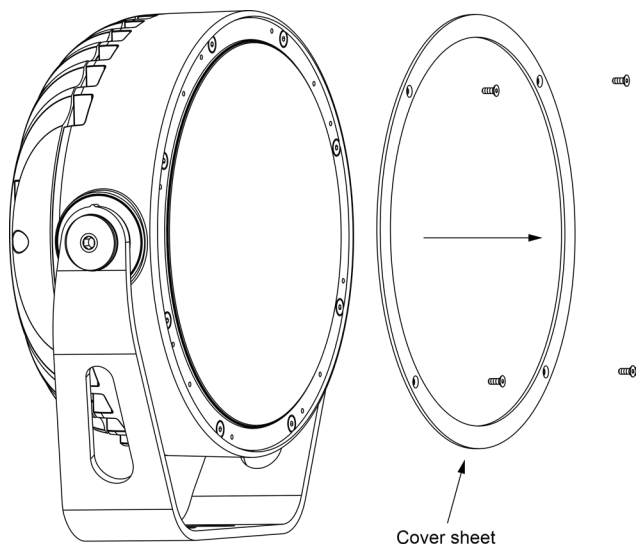
FOR ALL INSTALLATION VERSIONS



Pull the cable through the inside of the Pole Adaptor and the cable gland and return to STEP 3.

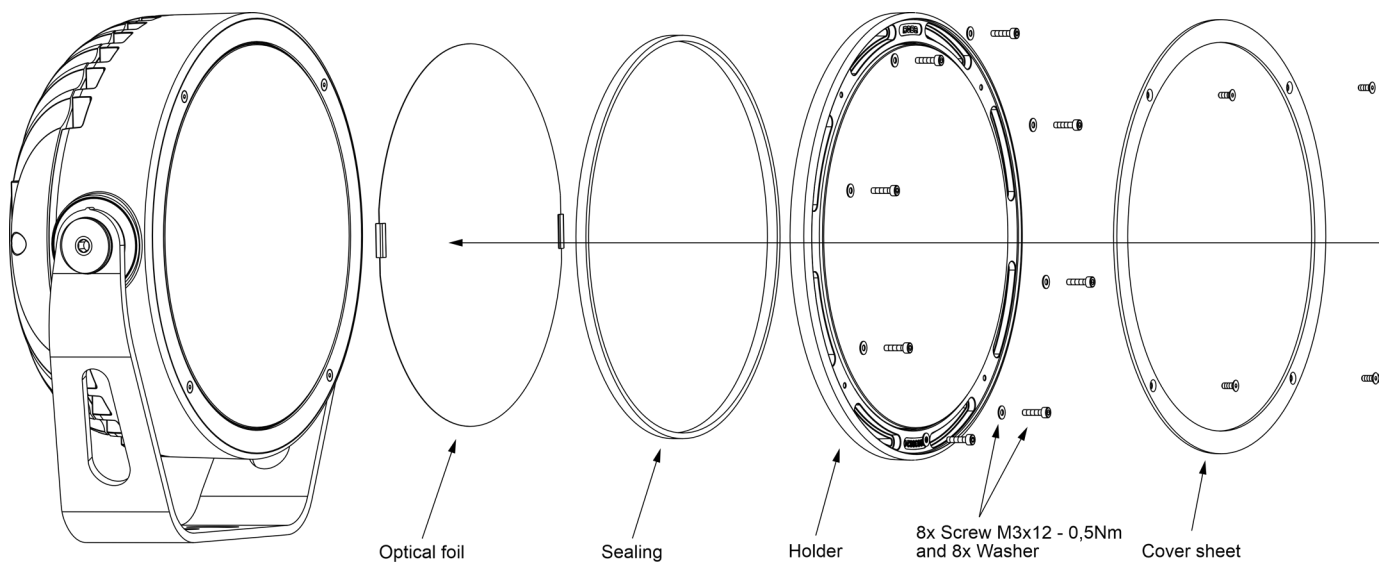
Outdoor Foil Holder only for Calumma OFH

1



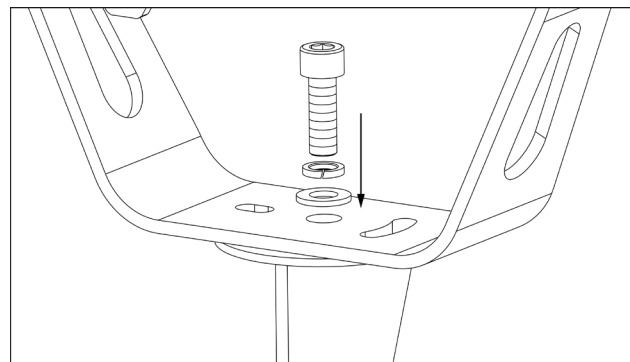
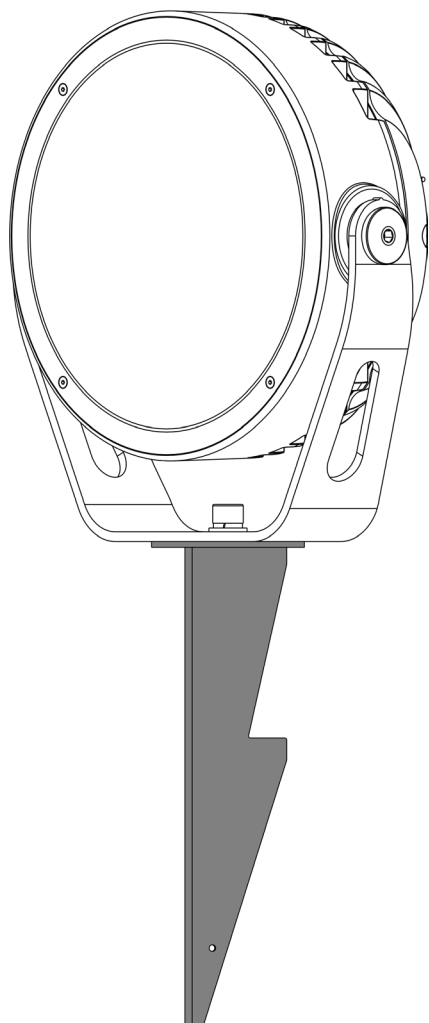
Remove cover sheet from Calumma.

2



Assemble the Outdoor Foil Holder according to the picture.

LAND SPIKE



Place the luminaire on the Land Spike. The Luminaire fasten by one washer one flexible washer and one screw according to the picture.