

CALUMMA™ M MC

Featuring an optical design using 7 high efficacy multi-chip LEDs and available with optional LED colour variants and various beam angles, the medium-sized Calumma M MC luminaire creates powerful and beautiful light output for a spot, accent or flood lighting solution. Its durable housing is built to withstand any exterior conditions, and its special finish for harsh and marine environments provides an exceptional outdoor LED luminaire in an elegant design. Additionally, Calumma M MC can be connected in long In/Out daisy-chains via an E-Box and hybrid Plug & Play connections for almost effortless installation. Complemented by wide range of accessories and control protocols, this luminaire is an effective and versatile unit to get the most out of architectural lighting applications.



KEY FEATURES

Lumen output & Light source

Luminaire with seven high-power, multi-chip LEDs provides up to 2316 lumen output. Multiple LED colour variants. No light spills. Perfectly homogenised light output with efficacy up to 35 lm/w.

Design & Durability

Compact, durable and stylish housing made of high-pressure die cast aluminium. IP67 and IK10 certification; suitable for marine applications (Harsh Environment Finish required) and traffic applications. Supported with a 5 year warranty.

Flexibility

Exceptional outdoor or indoor LED luminaire with a wide range of accessories, custom colour finishes, multiple light output variants and beam angles.

Connectivity

Utilising the innovative E-Box series of power and data interfaces, Calumma M MC can communicate via numerous wired, wireless, and Ethernet based control protocols. Various wiring topologies are supported using hybrid power / data cables with Plug & Play connectors or standard connection options.

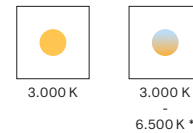
COLOURS

* UPON REQUEST



COLOUR TEMPERATURE

* UPON REQUEST

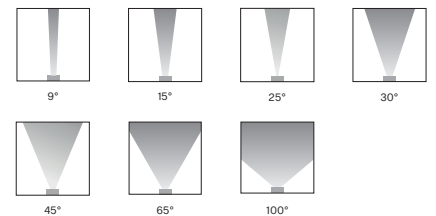


CONTROL & PROTOCOLS

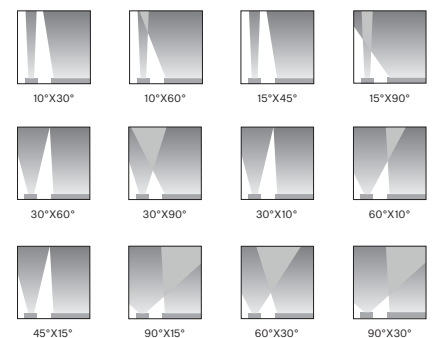


OPTIC OPTIONS

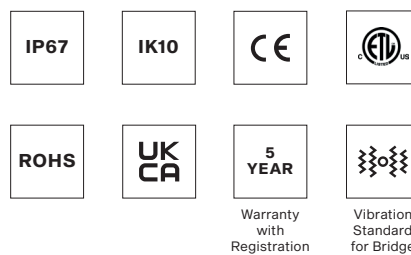
SYMMETRICAL



BI-SYMMETRICAL



STANDARD & SPECIFICATION



FINISH OPTIONS

* CLOSEST RAL TONE

* HE = Harsh Environment



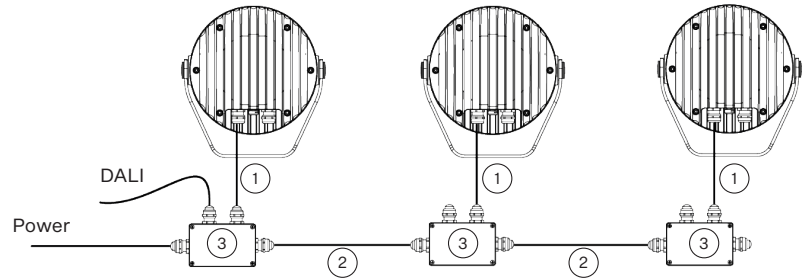
SPECIFICATION

ELECTRICAL	Input Voltage	120 - 277 V AC 50/60 Hz (US)		
	Typical Power Consumption	65 W +/-10 %		
OPTICAL	Light Source	High Power Multichip LEDs		
	Colour Variants	RGBW (W - 6500 K) RGBA PW (W - 3000 K)		
		Other Variants On Request (TW 3000 - 6500 K)		
	Beam Angle	9° 15° 25° 30° 45° 65° 100°		
		10°x30° 30°x10° 10°x60° 60°x10° 15°x45° 45°x15° 15°x90° 90°x15° 30°x60° 60°x30° 30°x90° 90°x30°		
Lumen Output Delivered	2316 lm (@9° RGBW)			
Projected Lumen Maintenance	L90B10 >90.000 hrs, Ta = 25°C / 77°F			
CONTROL	Interface Protocol	Via E-box range, DMX/RDM, wireless DMX, DALI 2		
	E-box control protocol	USITT DMX512+RDM, ArtNet, MA Net, MA Net2, sACN, Kling-Net		
	DALI 2 Device Type	DT 8		
	Wireless DMX (Option)	Lumen Radio CRMX Technology		
	Control System	Third Party DMX Controllers		
	Operating Modes	DMX, Stand-alone		
	Settings / Addressing	E-box, RDM communicator		
	Power Supply	Integrated		
PHYSICAL	Width x Height x Depth Weight	264 x 278 x 106 mm (10.4 x 10.94 x 4.17 in.) 5.77 kg (12.72 lbs)		
	Housing	High Pressure Die-Cast Aluminium Body Tempered Glass		
	Finish Options	Standard Colour	Graphite Black RAL 9011 Grey Aluminium RAL 9007 Pure White RAL 9010 Sandstone RAL 1014	
		Standard Colour Harsh Environment	Graphite Black RAL 9011 Grey Aluminium RAL 9007 Pure White RAL 9010 Sandstone RAL 1014	
		Cost Option	Custom RAL	
	Cables / Connections	IN/OUT (for E-Box version): - 0,5 m cables with hybrid connectors - Jumper cables	IN (for DMX, DALI): - 1 m cable with bare end - Other cable length - custom - Junction box - optional	
	Mounting Method	Yoke or Yoke for Pole Adaptor		
Adjustability	+180° / -180°			
Protection Factor	IP67 / Suitable For Wet Locations			
IK Rating	IK10			
Cooling System	Convection			
Operating Ambient Temperature	-20 °C / +50 °C (-4 °F / +122 °F)			
CERTIFICATION	Listings	ETL / cETL, CE, RoHS, UKCA		
ACCESSORIES	Not Included Items			
	Junction Box (CE or US)			
	Optical Demo Set for Calumma M (for demo purposes)			
	Outdoor Foil Holder for Calumma M „OFH“ version only (for permanent installation)			
	Optical Foil Set for Outdoor Foil Holder Calumma M			
	Land Spike for Calumma M			
	Top Hat Calumma M			
	Half Top Hat Calumma M			
	Re-enterable Electrical Insulating Resin			
	Floor Stand for Calumma S, M			
	Tenon Adapter			
Pole Adaptor (ø 102mm) (Yoke for Pole Adaptor Required)				

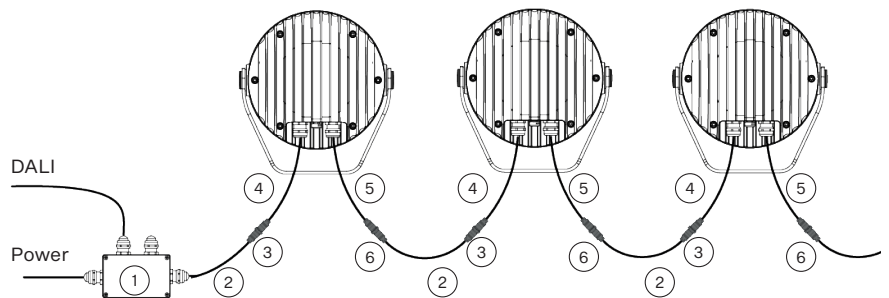
CONTROL AND CONNECTION OPTIONS - CE

DALI

- 1) Hybrid Cable (1305 3693)
Standard 1 m with bare-end
- 2) Hybrid Cable (1305 3693)
or
Scope of Others
- 3) Junction Box



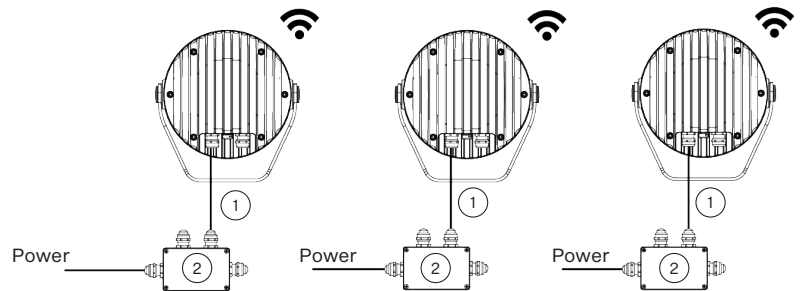
- 1) Junction Box
- 2) Hybrid Cable (1305 3693)
- 3) Field Installable Connector FF DC-05 (13053971)
- 4) Hybrid Cable (1305 3693), Standard 0,5 m with Field Installable Connector MM DC-05 (1305 3972)
- 5) Hybrid Cable (1305 3693), Standard 0,5 m with Field Installable Connector FF DC-05 (1305 3971)
- 6) Field Installable Connector MM DC-05 (1305 3972)



Note: The last unplugged connector must be fitted with a Waterproof Cap to protect the IP rating.

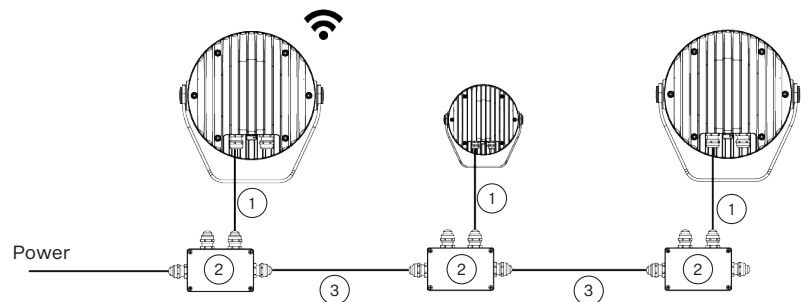
WIRELESS DMX

- 1) Flamar 3x AWG 16 + 1x (2x AWG 24), (13051508), Standard 1 m bare-end, black or Hybrid Cable HYB-5731ZH LSZH (13053694), white
- 2) Junction Box



Note: This type of connection is available for M, L, XL versions.

- 1) Flamar 3x AWG 16 + 1x (2x AWG 24) (13051508), Standard 1 m bare-end, black or Hybrid Cable HYB-5731ZH LSZH (13053694), white
- 2) Junction Box
- 3) Flamar 3x AWG 16 + 1x (2x AWG 24), (13051508) or Hybrid Cable HYB-5731ZH LSZH (13053694), white or Scope of Others

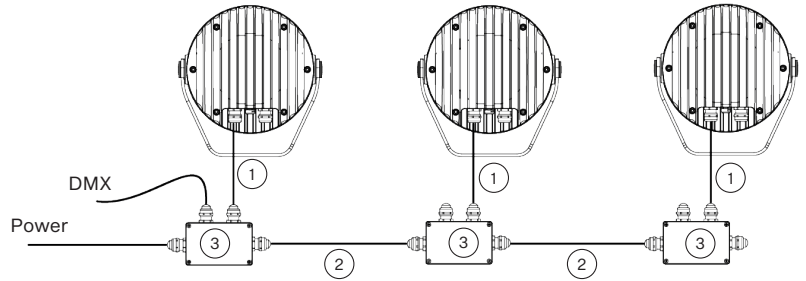


Note: This type of connection must have M, L or XL versions as the first luminaire. Next luminaires in a row could be chosen from S, M, L or XL versions.

CONTROL AND CONNECTION OPTIONS - CE

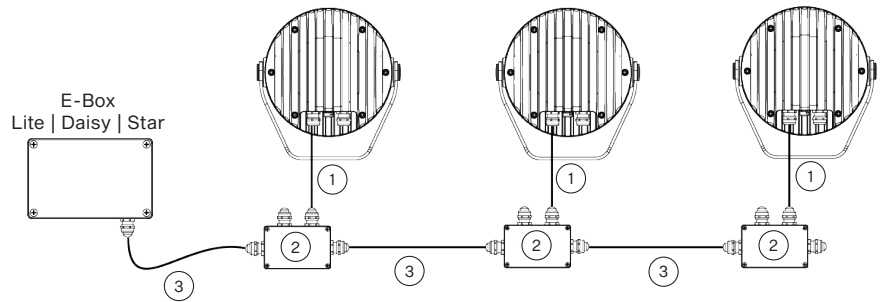
DMX

- 1) Flamar 3x AWG 16 + 1 x (2x AWG 24)
Standard 1 m with bare-end, (13051508), black
or
Hybrid Cable HYB-5731ZH LSZH (13053694), white
- 2) Flamar 3x AWG 16 + 1 x (2x AWG 24), (13051508), black
or
Hybrid Cable HYB-5731ZH LSZH (13053694) white
or
Scope of Others
- 3) Junction Box



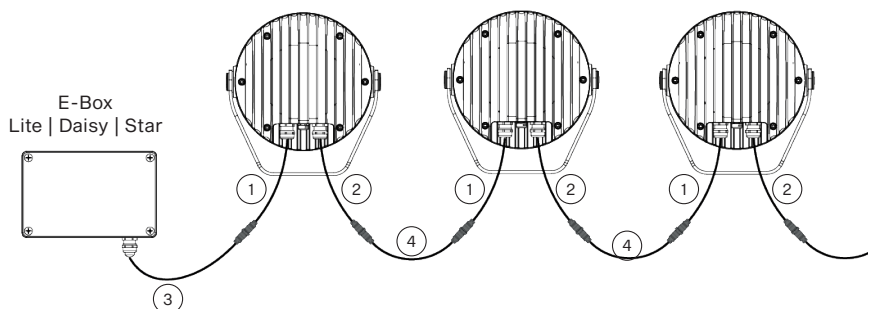
DMX or ETHERNET via E-BOX

- 1) Flamar 3x AWG 16 + 1x (2x AWG 24)
(13051508), Standard 1 m with bare-end, black
or
Hybrid Cable HYB-5731ZH LSZH (13053694), white
- 2) Junction Box
- 3) Flamar 3x AWG 16 + 1 x (2x AWG 24), (13051508), black
or
Hybrid Cable HYB-5731ZH LSZH (13053694) white
or
Scope of Others

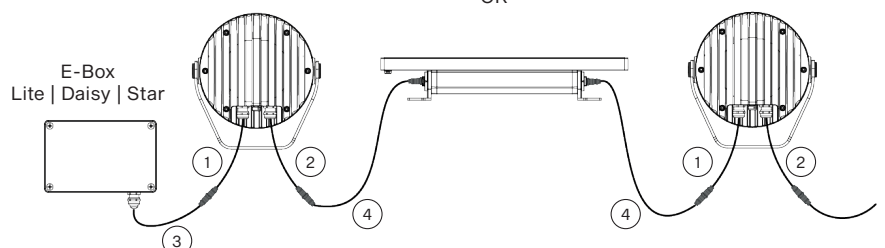


Note: This type of connection is available for S, M, L, and XL versions. E-Box has to be in Pass Through mode only.

- 1) Leader Cable MM (13053493)
Standard 0,5 m with hybrid connector
- 2) Leader Cable MF (13053494)
Standard 0,5 m with hybrid connector
- 3) Leader Cable FF 2 m (13053438)
Leader Cable FF 5 m (13053440)
Leader Cable FF 10 m (13053436)
Leader Cable FF 25 m (13053437)
Leader Cable FF 50 m (13053439)



- 4) Jumper Cable FF/FM 0,25 m (13053422)
Jumper Cable FF/FM 0,5 m (13053423)
Jumper Cable FF/FM 1 m (13053425)
Jumper Cable FF/FM 2 m (13053427)
Jumper Cable FF/FM 3 m (13053428)
Jumper Cable FF/FM 5 m (13053430)
Jumper Cable FF/FM 10 m (13053424)

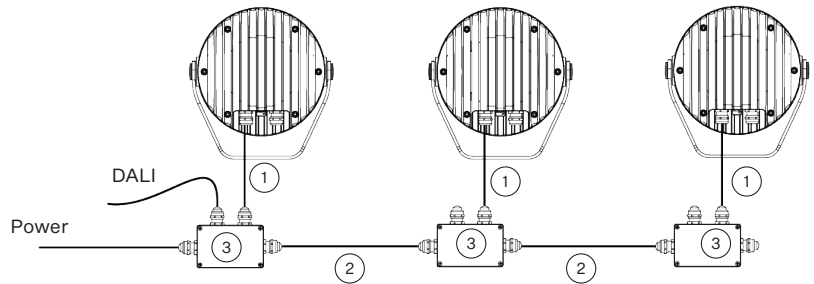


Note: With this type of connection is possible to connect Calumma (M, L, XL) and Eminere (Eminere, Eminere Side) luminaires in a row.

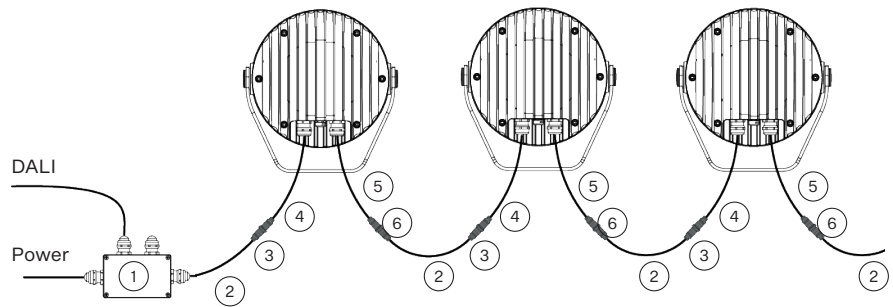
CONTROL AND CONNECTION OPTIONS - US

DALI

- 1) SJTW 5x 14AWG (13053336), Standard 1 m with bare-end, black or Cable SJTW 5x 14AWG (13053697), white
- 2) SJTW 5x 14AWG (13053336), black or Cable SJTW 5x 14AWG (13053697), white or Scope of Others
- 3) Junction Box



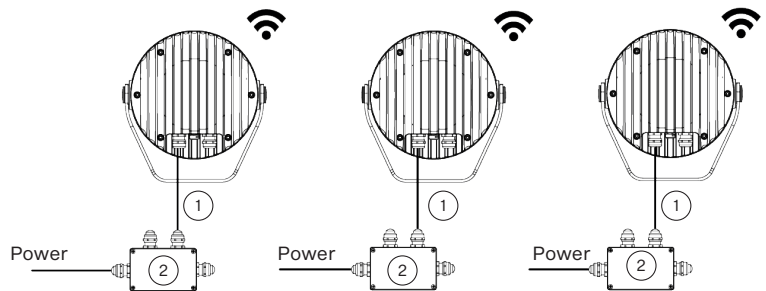
- 1) Junction Box
- 2) SJTW 5x 14AWG (13053336), Standard with bare-end, black, or On request Cable SJTW 5x 14AWG (13053697), with bare-end, white
- 3) Field Installable Connector FF DC-05 (1305 3971)
- 4) Hybrid Cable (1305 3693), Standard 0,5 m with Field Installable Connector MM DC-05 (1305 3972)
- 5) Hybrid Cable (1305 3693), Standard 0,5 m with Field Installable Connector FF DC-05 (1305 3971)
- 6) Installable Connector MM DC-05 (1305 3972)



Note: The last unplugged connector must be fitted with a Waterproof Cap to protect the IP rating.

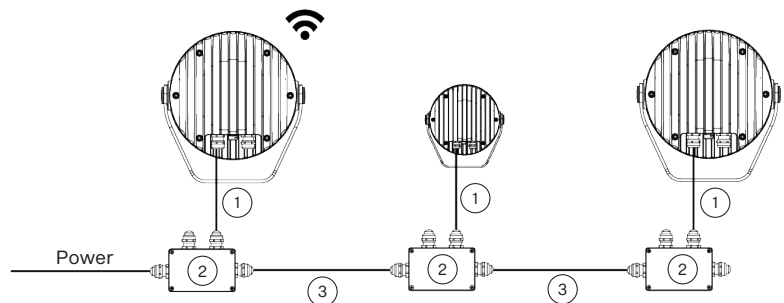
WIRELESS DMX

- 1) SJTW 6x 14AWG (13053480), Standard 1 m with bare-end, black or Cable SJTW 6x 14AWG (13053695), white
- 2) Junction Box



Note: This type of connection is available for M, L, XL versions

- 1) SJTW 6x 14AWG (13053480), Standard 1 m with bare-end, black or Cable SJTW 6x 14AWG (13053695), white
- 2) Junction Box
- 3) SJTW 6x 14AWG (13053480), black or Cable SJTW 6x 14AWG (13053695), white or Scope of Others

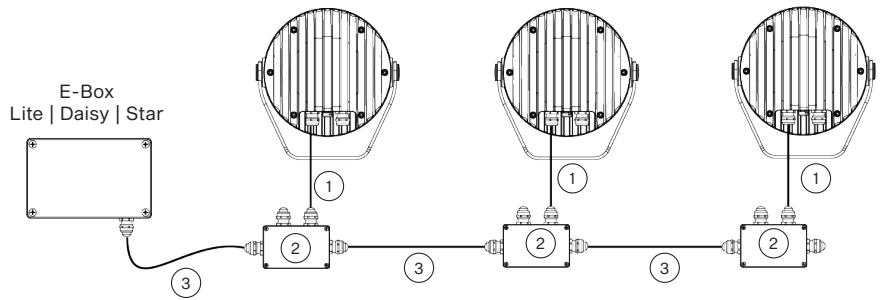


Note: This type of connection must have M, L or XL versions as the first luminaire. Next luminaires in a row could be chosen from S, M, L or XL versions.

CONTROL AND CONNECTION OPTIONS - US

DMX or ETHERNET via E-BOX

- 1) SJTW 6x 14AWG (13053480)
Standard 1 m with bare-end, black
or
Cable SJTW 6x 14AWG (13053695), white
- 2) Junction Box
- 3) SJTW 6x 14AWG (13053480), black
or
Cable SJTW 6x 14AWG (13053695), white
or
Scope of Others



Note: This type of connection is available for S, M, L, and XL versions. E-Box has to be in Pass Through mode only.

CONNECTIVITY

Following table shows maximum connected Calummas M MC in a row with respect of cable length.

STANDARD MODE	Cable length (m)	Voltage (V)			
		120	190	230	277
CALUMMA M MC	10	28	44	54	65
	20	28	44	54	65
	30	20	44	54	65
	50	12	30	43	63
	70	8	21	31	45
	100	6	15	22	32
	200	3	7	11	16
	500	1	3	4	6

PASS-THROUGH MODE	Cable length (m)	Voltage (V)			
		120	190	230	277
CALUMMA M MC	10	28	32	32	32
	20	28	32	32	32
	30	20	32	32	32
	50	12	30	32	32
	70	8	21	31	32
	100	6	15	22	32

BOOSTER BOX POSITIONS

Cable length (m)	Max. number of Calummas M MC= 191 (in Standard mode)			
	120 V	190 V	230 V	277 V
10 m	28	-	-	-
20 m	28, 56	44	54	65
30 m	20, 40, 60, 80, 100	44, 88	54, 108	65
50 m	12, 24, 48, 56, 64, 76, 88, 100..	30, 60, 90, 120, 150, 180	43, 86, 129, 172	63, 126
70 m	8, 16, 24, 32, 40, 48, 56, 64, 72, 80, 88, 96....	21, 42, 63, 84, 105, 126...	31, 62, 93, 124, 155, 176...	45, 90, 135, 180, 225...
100 m	6, 12, 18, 24, 30, 36, 42, 48, 54, 60, 66, 72, 78, 84, 90, 96, 102....	15, 30, 45, 60, 75, 90, 105, 120, 135...	22, 44, 66, 88, 110, 132, 154...	32, 64, 96, 128, 160, 192
200 m	3, 6, 9, 12, 15, 18, 21, 24, 27, 30, 33, 36, 39, 42, 45, 48, 51, 54, 57, 60, 63, 66, 69, 72, 75, 78, 81...	7, 14, 21, 28, 35, 42, 49, 56, 63, 70, 77, 84, 91, 98, 105...	11, 22, 33, 44, 55, 66, 77, 88, 99, 110...	16, 32, 48, 64, 80, 96, 112, 128, 144...
500 m	1, 2, 3, 4, 5, 6, 7, 8, 9, 10, 11...	3, 6, 9, 12, 15, 18, 21, 24, 27, 30, 33, 36, 39, 42, 45, 48, 51, 54, 57, 60, 63, 66...	4, 8, 12, 16, 20, 24, 28, 32, 36, 40, 44, 48, 52, 56, 60, 64, 68, 72, 76, 80....	6, 12, 18, 24, 30, 36, 42, 48, 54, 60, 66, 72, 78, 84, 90, 96...

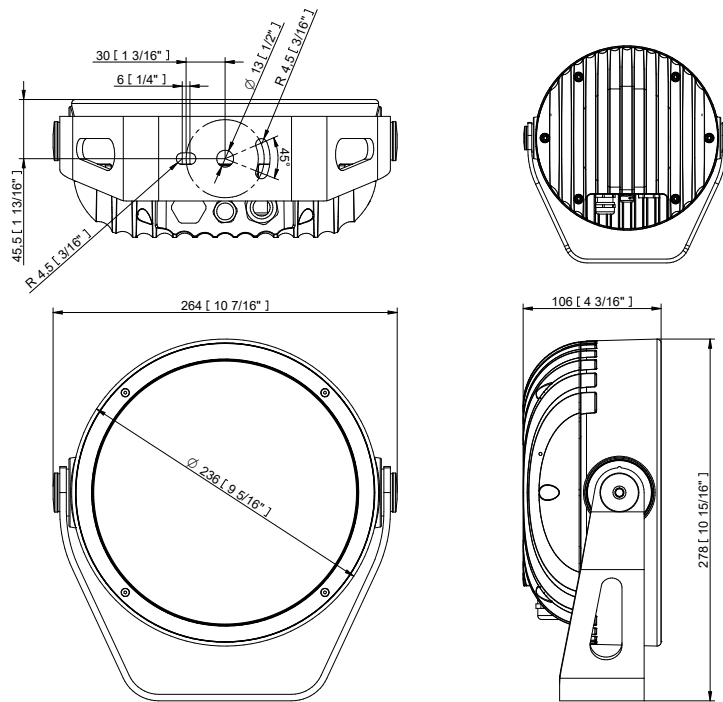
NOTE: For more detail see the User manual.

PROJECTED AREA

	Front (rear) - m ²	Front (rear) ft ²	Side - m ²	Side - ft ²	Top - m ²	Top - ft ²
Calumma Remote M	0,047	0,500	0,026	0,280	0,024	0,258
with Top Hat	0,047	0,500	0,054	0,581	0,052	0,559
with Half Top Hat	0,047	0,500	0,037	0,398	0,052	0,559

DIMENSIONS

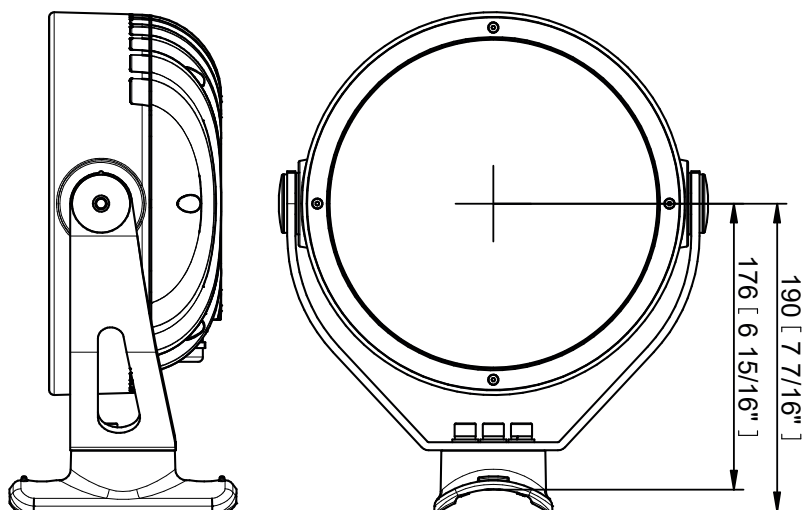
Standard Yoke



ACCESSORIES

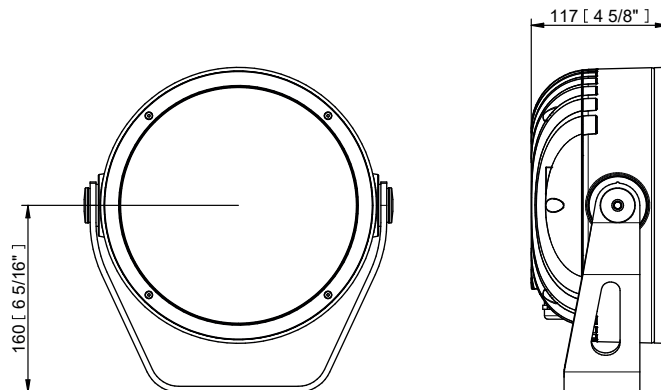
Yoke for Pole Adaptor (with Pole Adaptor / PA)

Example of ordering code: Calumma M MC RGBCW 15° PA

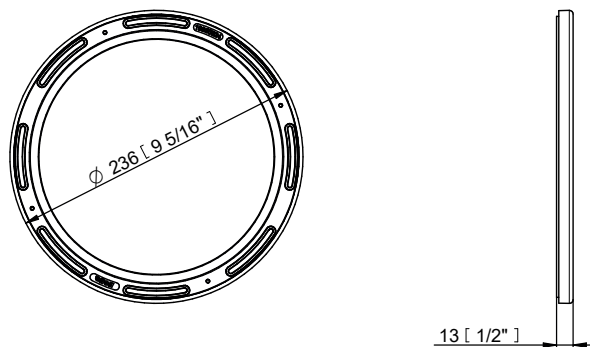


Outdoor Foil Holder for Calumma M „OFH“ version only (for permanent installation)

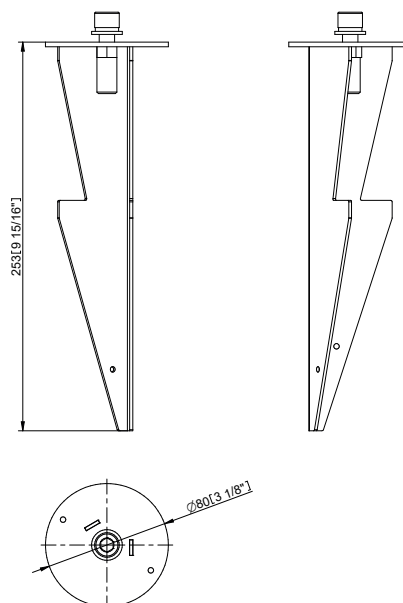
Example of ordering code: Calumma M MC CE RGBCW 9° RAL9007 OFH



Outdoor Foil Holder for Calumma M

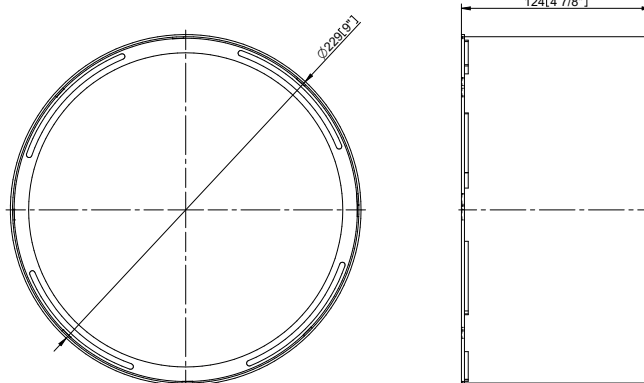


Land Spike for Calumma (S, M, L, XL)

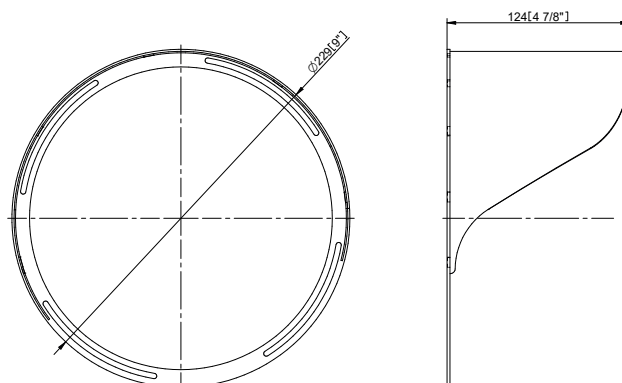


ACCESSORIES

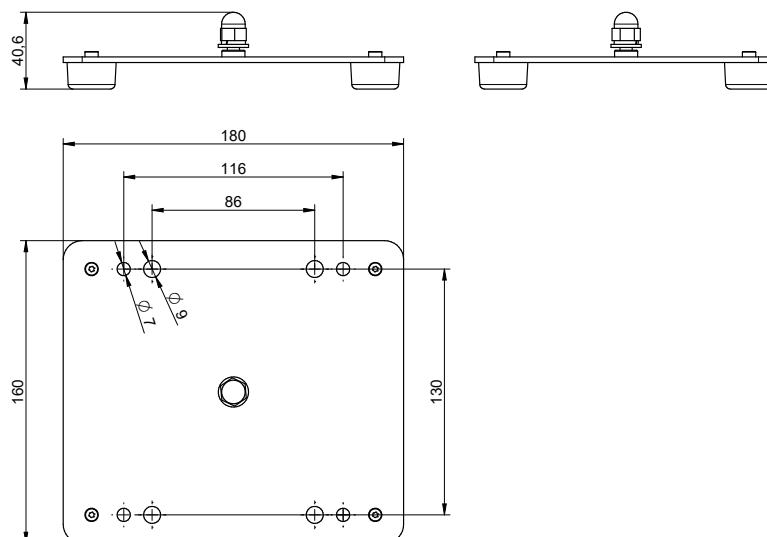
Top Hat



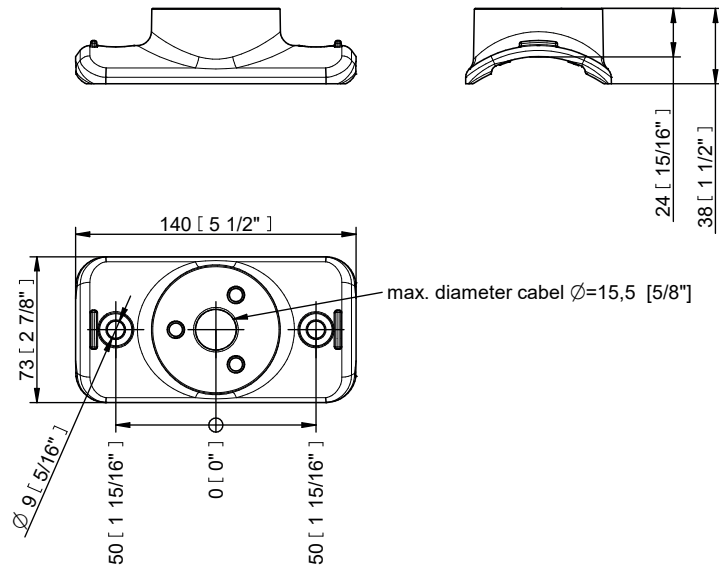
Half Top Hat



Floor Stand



Pole Adaptor



PHOTOMETRIC OVERVIEW

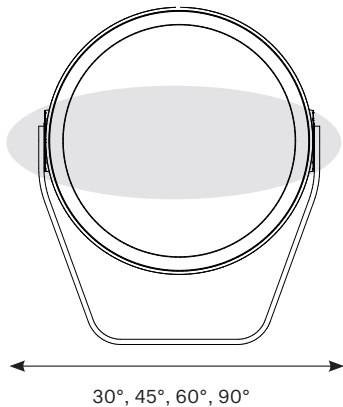
Lumen Output (lm)

	RGBCW (W 6500 K)	RGBA	WW (W 3000 K)
9°	2316	1986	1975
15°	1792	1537	1528
25°	1779	1526	1517
30°	1752	1502	1494
45°	1775	1522	1513
65°	1776	1523	1514
100°	1757	1507	1498
10° x 30°, 30° x 10°	1681	1442	1433
10° x 60°, 60° x 10°	1867	1601	1592
15° x 45°, 45° x 15°	1902	1631	1622
30° x 60°, 60° x 30°	1766	1514	1506
30° x 90°, 90° x 30°	1905	1634	1624
15° x 90°, 90° x 15°	2109	1809	1795

BI-SYMMETRICAL BEAM ANGLES

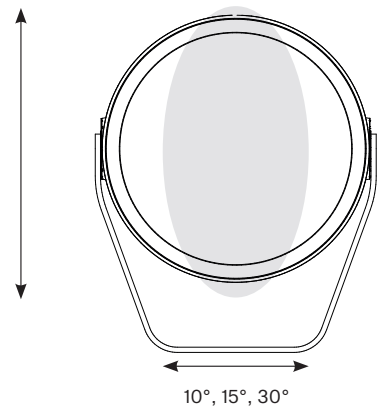
Bi-symmetrical:
10°x30°,
10°x60°,
15°x45°,
15°x90°,
30°x60°,
30°x90°

10°, 15°, 30°



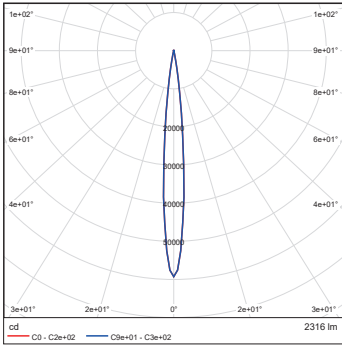
Bi-symmetrical:
30°x10°,
60°x10°,
45°x15°,
90°x15°,
60°x30°,
90°x30°

30°, 45°, 60°, 90°

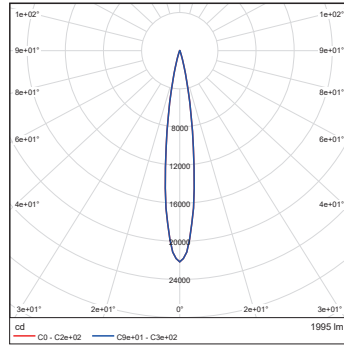


PHOTOMETRIC DATA

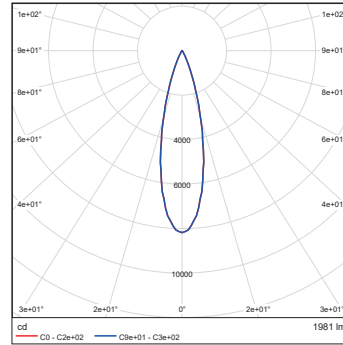
Calumma M MC RGBW 6500K 10dg



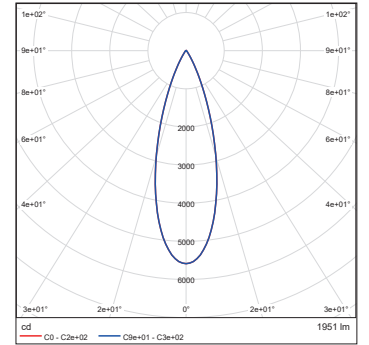
Calumma M MC RGBW 6500K 15dg



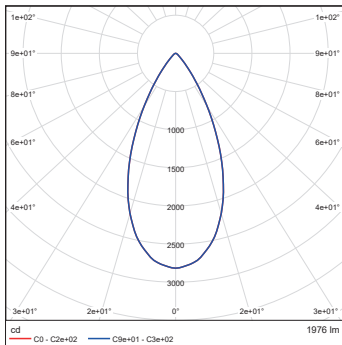
Calumma M MC RGBW 6500K 25dg



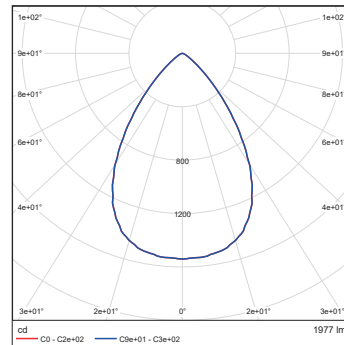
Calumma M MC RGBW 6500K 30dg



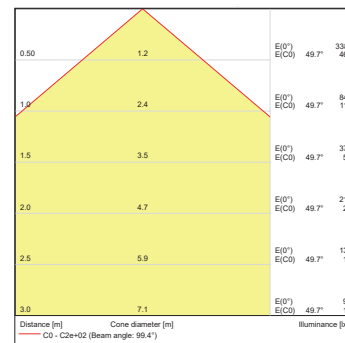
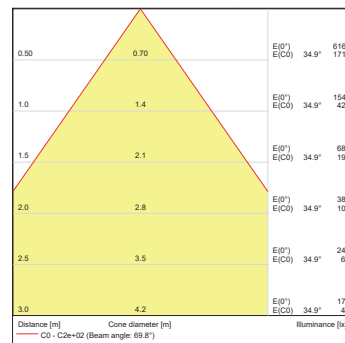
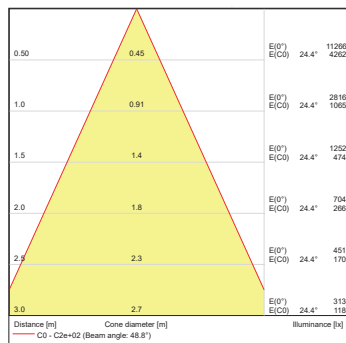
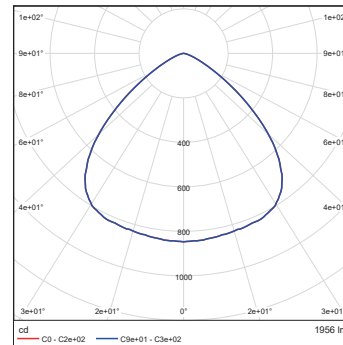
Calumma M MC RGBW 6500K 45dg



Calumma M MC RGBW 6500K 65dg

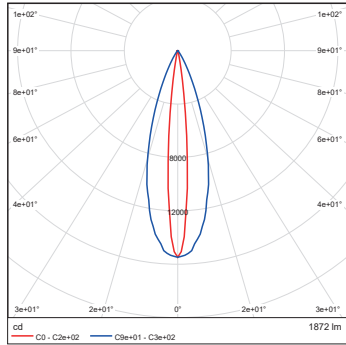


Calumma M MC RGBW 6500K 100dg

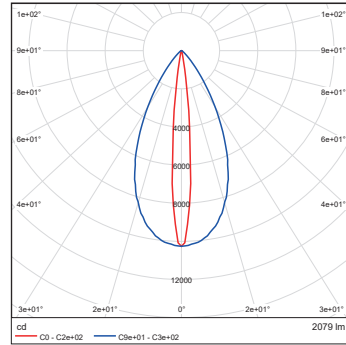


PHOTOMETRIC DATA

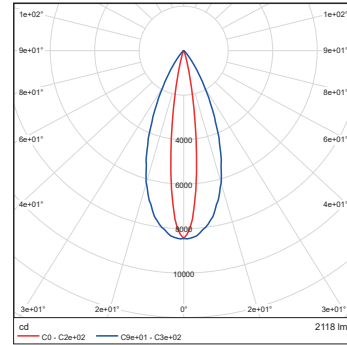
Calumma M MC RGBW 6500K
10x30dg



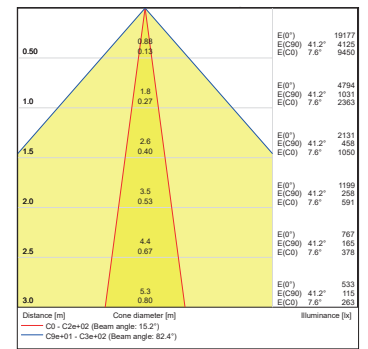
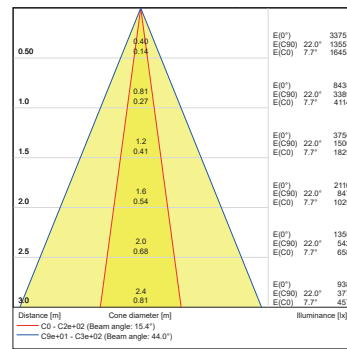
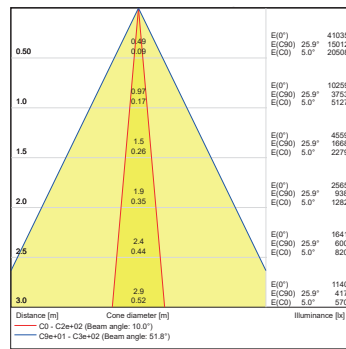
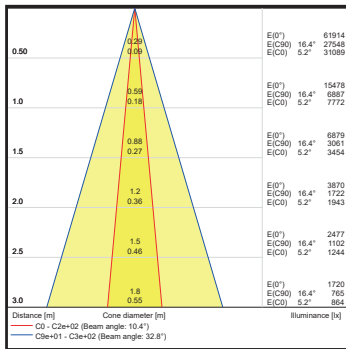
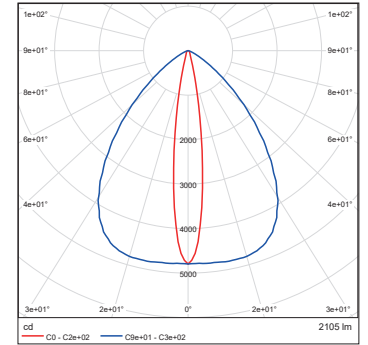
Calumma M MC RGBW 6500K
10x60dg



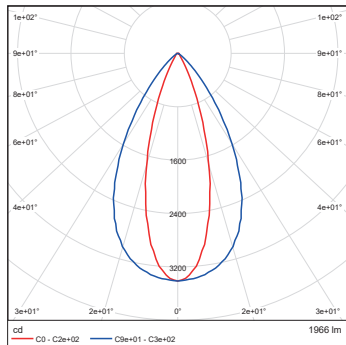
Calumma M MC RGBW 6500K
15x45dg



Calumma M MC RGBW 6500K
15x90dg



Calumma M MC RGBW 6500K
30x60dg



Calumma M MC RGBW 6500K
30x90dg

