

AMBIANE® SP16 PENDANT REMOTE

The smallest luminaire of Ambiane range offers efficient, powerful and high-quality solution for lower ceiling applications. Highly efficient LED module with CRI 90+, no UV or IR emissions, CCT and green correction settings is perfect for museums, art galleries, theaters, concert halls and other most demanding installations. The incorporation of our L3 (Low Light Linearity) dimming system allows seamless fades to black even when mixed with traditional sources. Sharing the same LED chip-set with other Ambiane fixtures it complements the range and gives lighting designers even more options for various interior lighting installations.



KEY FEATURES

Lumen output & Light source

Available in wide range of colour configurations (RGBW, PW, TW, TD), the Ambiane SP16 Pendant Remote utilises highly efficient LED modules with CRI 90+. The fixture offers two different beam spreads of 30° and 60°.

Control

Using DALI or USITT DMX512 control protocols, with RDM support, Ambiane SP16 Pendant Remote can be remotely controlled and managed. Ambiane SP16 Pendant Remote also offers intelligent power balancing.

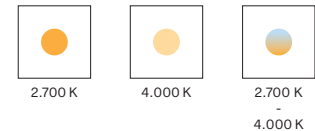
Installation

With compact dimensions, Ambiane SP16 Pendant Remote is suitable for lower ceiling applications and to complement our more powerful luminaires of Ambiane range. Ambiane SP16 Pendant Remote is convection cooled for silent operation without fans. Fixture is mounted by one hanging cable for desired position and length.

COLOURS



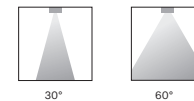
COLOUR TEMPERATURE



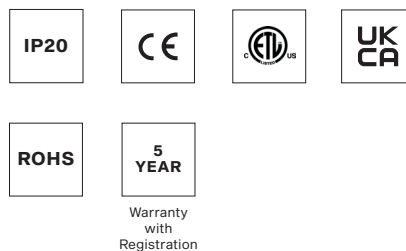
CONTROL & PROTOCOLS



OPTIC OPTIONS

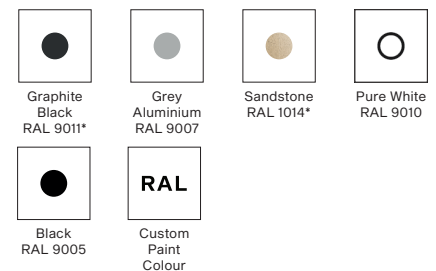


STANDARD & SPECIFICATION



FINISH OPTIONS

* CLOSEST RAL TONE



SPECIFICATION

ELECTRICAL	Input Voltage	48 V DC			
	Input Voltage range	44-50 V DC			
	Max. Power Consumption	10 W			
OPTICAL	Light Source	High Power LED module			
	Colour Variants	RGBW (W 2700 K or 4000 K)	Pure White	Tunable White	Tungsten Dim
	Colour Temperature of White	PW 2700 K or 4000 K TW 2700-4000 K TD 3200 K			
	CRI	90+			
	Beam Angle	30° 60°			
	Lumen Output Delivered	481 lm (RGBW at 30° White LEDs only)			
		518 lm (RGBW at 60° White LEDs only)			
Projected Lumen Maintenance	L90B10 >90.000 hrs, Ta = 25°C / 77°F				
CONTROL	Interface Protocol	USITT DMX512, RDM, DALI 2, 0-10 V			
	DALI 2 Device Type	DT 8			
	Control System	ArcControl Range or any Third Party Controller			
	DMX Modes	5 (for RGBW version)			
	DMX Channels	4, 3, 12, 3, 6			
	Settings / Addressing	DIP Switch, RDM			
	Power Supply	Ambiane Power AP (up to 4x Ambiane SP16)			
Ambiane Power Rack (up to 4x Ambiane SP16)					
PHYSICAL	Diameter x Height	ø90 x 143 mm (ø3.5 x 5.6 in.)			
	Weight	0.8 kg 1.8 lbs			
	Housing	High Pressure Extruded Aluminium Body, Metal cover			
	Finish Options	Standard Color	Graphite Black RAL 9011 Grey Aluminium RAL 9007 Pure White RAL 9010 Sandstone RAL 1014 Black RAL 9005		
		Cost Option	Custom RAL		
	Cables / Connections	Black Cable, Terminal block (Power In, DMX In/Out, DALI In/Out)			
	Mounting Method	Pendant with adjustable hanging cable: Standard: 1 m (possibility of shorten on site) Other Lengths: Upon Request (more than 1 m)			
	Protection Factor	IP20 / Dry location only			
	Cooling System	Convection			
	Operating Ambient Temperature	-20 °C / +40 °C (-4 °F / +104 °F) (TBC)			
Max. Operating Temperature	+75°C (167°F) (TBC)				
CERTIFICATION	Listings	ETL / cETL, RoHS, CE, UKCA			
ACCESSORIES	Included Items	Control Unit for Ambiane SP16			
	Not Included Items	Ambiane Power Rack (CE/US)			
		Ambiane Power AP			

CROSS SECTION OF CONDUCTORS

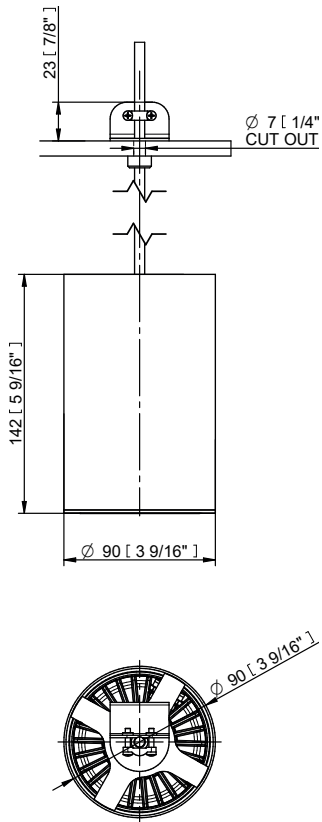
Recommended cross section of conductors with respect to distance between Fixture and Power supply (per 4pcs of Ambiane SP16)

Distance / Cable length	100 m
Cross section of conductors	1 mm ²

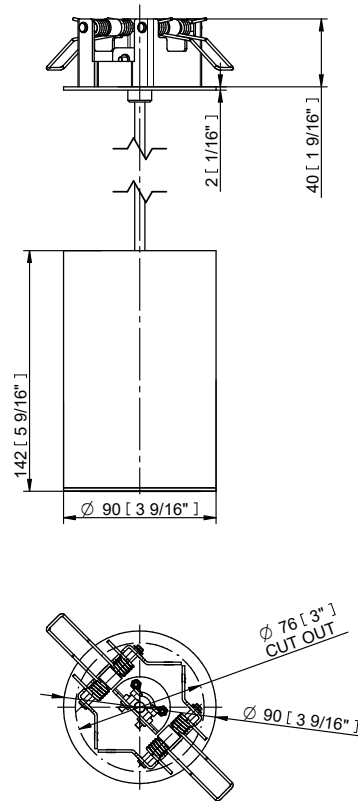
SPECIFICATION SHEET
AMBIANE® SP16 PENDANT REMOTE

DIMENSIONS

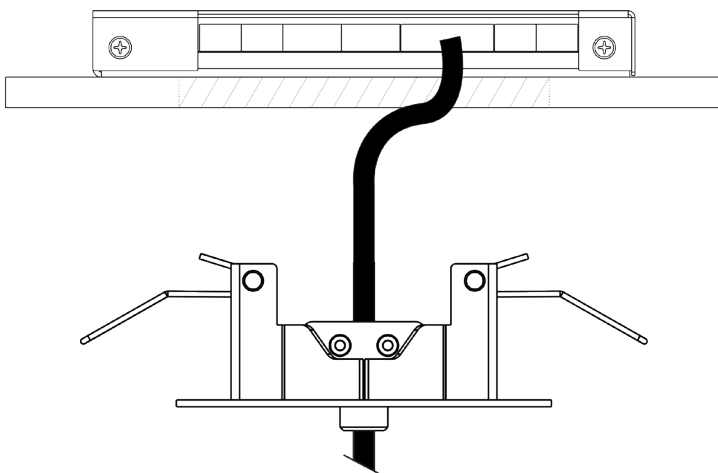
Ambiane SP16 Pendant Remote



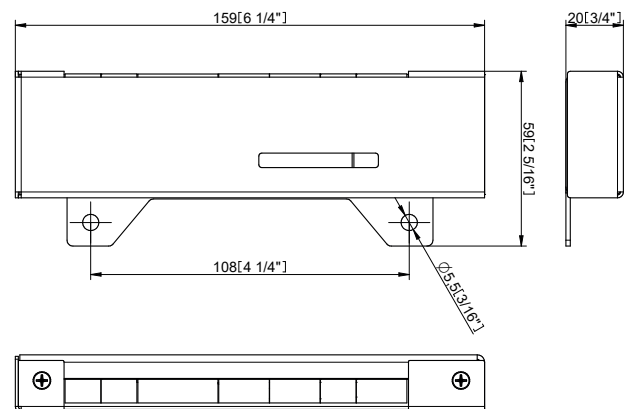
Ambiane SP16 Pendant Remote with Spring clips Adaptor



Ambiane SP16 w/Connection Unit



Control Unit dimensions

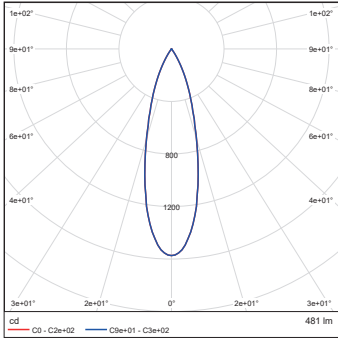


SPECIFICATION SHEET

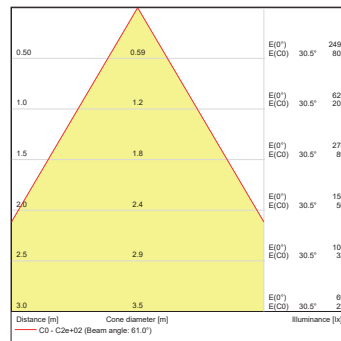
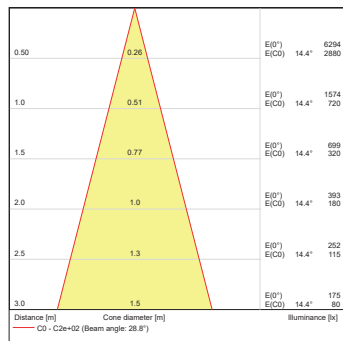
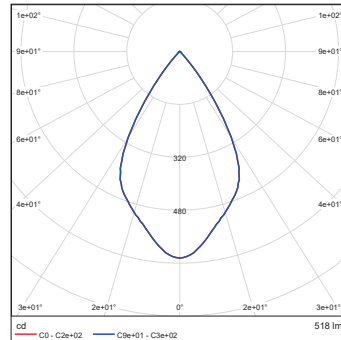
AMBIANE® SP16 PENDANT REMOTE

PHOTOMETRIC DATA

Ambiane SP16 Pendant Remote
RGBW 30dg White LEDs only



Ambiane SP16 Pendant Remote
RGBW 60dg White LEDs



PHOTOMETRIC OVERVIEW

	Lumen Output (lm)	
	30°	60°
RGBW (4000 K) WHITE LEDs ONLY	481	518