

# AMBIANE® HP111 RECESSED

As the mid-size luminaire in the Ambiane series, the new Ambiane HP111 Recessed is designed for lower ceiling installations or to cover areas where the power of the Ambiane XP56 is not necessary. Using the same light source specification as all other Ambiane series members, the fixture is an ideal add-on to lighting designs using a host of Ambiane luminaires. Giving designers and installers a choice of 20, 40, 60 or 80-degree optical beam spreads, the Ambiane HP111 provides an endless array of positioning options across an entire installation. The incorporation of our L3 (Low Light Linearity) dimming system allows seamless fades to black even when mixed with traditional sources. With no UV or IR emissions which make it ideal for museums as well, the fixture is easily controlled via DMX or DALI and is RDM compatible.



## KEY FEATURES

### LED Output

Available in wide range of colour configurations (RGBW, PW, TW, TD), the Ambiane HP111 Recessed utilises highly efficient LED modules with CRI 90+ ensuring you can always see every colour without colouring distortion. Equally homogenised light output is secured by precisely designed output optics with the highest possible luminous flux 3239 lm and a 90,000 LED lifetime which guarantees low maintenance cost and long-lasting light output. The fixture offers four different beam spreads (20°, 40°, 60° and 80°) for precisely defined light output, required in a lighting installation.

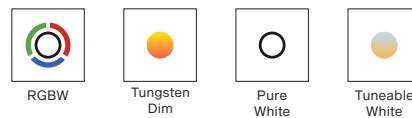
### Control

Thanks to our unique L3 (low light linearity) 18-bit dimming system, exceptionally smooth fade to black and colour mixing are now possible. The fixture's remote setting and device management is realised through DALI and DMX512 control protocols with RDM support and intelligent power balancing (always 75 W output in any mixed colour).

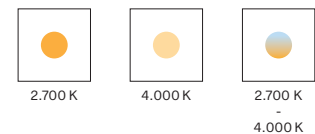
### Installation

Mounting via holders into false ceiling as an ideal replacement for an outdated AR111 fixture, the Ambiane HP111 offers the possibility of a backup power connection to protect against any unexpected blackout and operate as emergency lighting.

## COLOURS



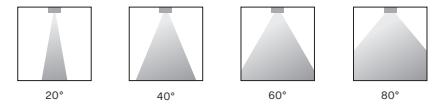
## COLOUR TEMPERATURE



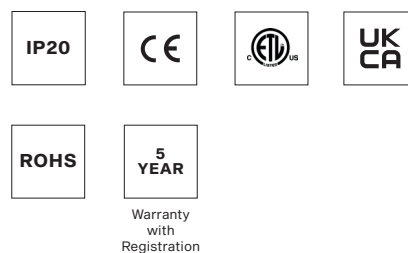
## CONTROL & PROTOCOLS



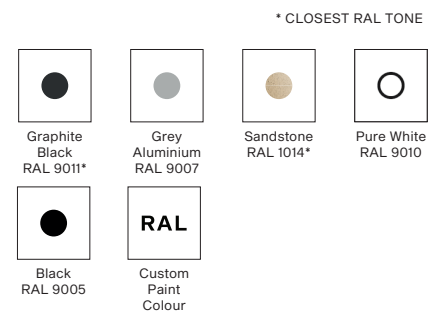
## OPTIC OPTIONS



## STANDARD & SPECIFICATION



## TRIM FINISH OPTIONS



**SPECIFICATION**

<b>ELECTRICAL</b>	Input Voltage	48 V DC			
	Input Voltage range	44-50 V DC			
	Max. Power Consumption (Primary power   Secondary power)	75 W   20 W			
	Max. Operating time for Sec. power	3 hours			
<b>OPTICAL</b>	Light Source	High Power LED module			
	Colour Variants	RGBW (W 2700 K or 4000 K)	Pure White	Tunable White	Tungsten Dim
	Colour Temperature of White	PW 2700 K or 4000 K   TW 2700-4000 K   TD 3200 K			
	CRI	90+			
	Beam Angle	20°   40°   60°   80°	20° with Ring Louver for Ambiane HP111		
	Lumen Output Delivered	2.289 lm (RGBNW at 20° 4000 K)		3.239 lm (RGBNW at 60° 4000 K)	
		3.024 lm (RGBNW at 40° 4000 K)		3.145 lm (RGBNW at 80° 4000 K)	
Projected Lumen Maintenance	L90B10 >90.000 hrs, Ta = 25°C / 77°F				
<b>CONTROL</b>	Interface Protocol	USITT DMX512, RDM, DALI 2, 0-10 V			
	DALI 2 Device Type	DT 8			
	Control System	ArcControl Range or any Third Party Controller			
	DMX Modes   DMX Channels	5 (for RGBW version)   4, 3, 12, 3, 6			
	Settings / Addressing	DIP Switch			
	Power Supply	Ambiane Power HP (48 V / 100 W)		Ambiane Power Rack (CE/US)	
Width x Height x Depth   Weight	Ambiane HP111 Recessed 20° - ø160 x 224 mm (ø6.2 x 8.7 in.)		2.1 kg   4.6 lbs @ 20°		
	Ambiane HP111 Recessed 40° - ø160 x 227 mm (ø6.2 x 8.9 in.)		2.1 kg   4.6 lbs @ 40°		
	Ambiane HP111 Recessed 60° - ø160 x 210 mm (ø6.2 x 8.2 in.)		2.0 kg   4.4 lbs @ 60°		
	Ambiane HP111 Recessed 80° - ø160 x 194 mm (ø6.2 x 7.6 in.)		2.0 kg   4.4 lbs @ 80°		
Housing	High Pressure Extruded Aluminium Body				
Trim Finish Options	Standard Color	Graphite Black RAL 9011   Grey Aluminium RAL 9007 Pure White RAL 9010   Sandstone RAL 1014   Black RAL 9005			
	Cost Option	Custom RAL			
Cables / Connections	Terminal block (Power In, DMX In/Out, DALI In/Out, Secondary Power Input)				
Mounting Method	Recessed, Via mounted bracket. Cut-Out Diameter: 133 mm / 5.24 in				
	Recessed, Via Yoke				
Protection Factor	IP20 / Dry location only				
Cooling System	Convection				
Operating Ambient Temperature (Primary power / Secondary power)	-20 °C / +40 °C (-4 °F / +104 °F)   -20 °C / +70 °C (-4 °F / +158 °F)				
Max. Operating Temperature	+75°C (167°F)				
<b>CERTIFICATION</b>	Listings	ETL / cETL, RoHS, CE (including ČSN EN 60598-2-22 / Emergency lighting, ISO17067), UKCA			
<b>ACCESSORIES</b>	<b>Included Items</b>	Control Unit			
	<b>Not Included Items</b>	Ring Louver 20° (Factory Fitted)			
		Ambiane Power Rack (CE/US)			
	Ambiane Power HP (MeanWell ELG-100-48-3Y)				

**CROSS SECTION OF CONDUCTORS**

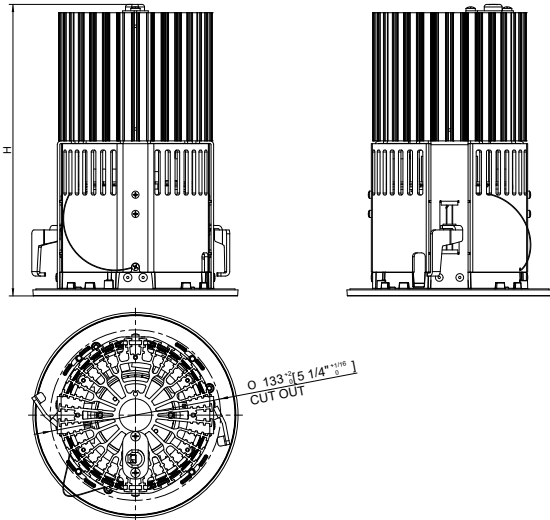
Recommended cross section of conductors with respect to distance between Fixture and Power supply.

<b>Distance / Cable length</b>	25 m	50 m	75 m	100 m
<b>Cross section of conductors</b>	0.5 mm <sup>2</sup>	1 mm <sup>2</sup>	1.5 mm <sup>2</sup>	2 mm <sup>2</sup>

**DIMENSIONS**

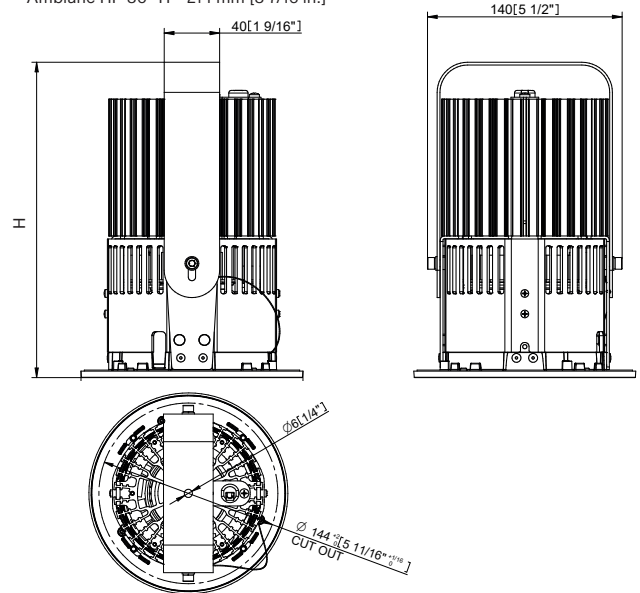
**Ambiane HP111 Recessed - standard**

Ambiane HP 20° H = 224 mm [8 13/16 in.]  
 Ambiane HP 40° H = 227 mm [8 15/16 in.]  
 Ambiane HP 60° H = 210 mm [8 1/4 in.]  
 Ambiane HP 80° H = 194 mm [7 5/8 in.]



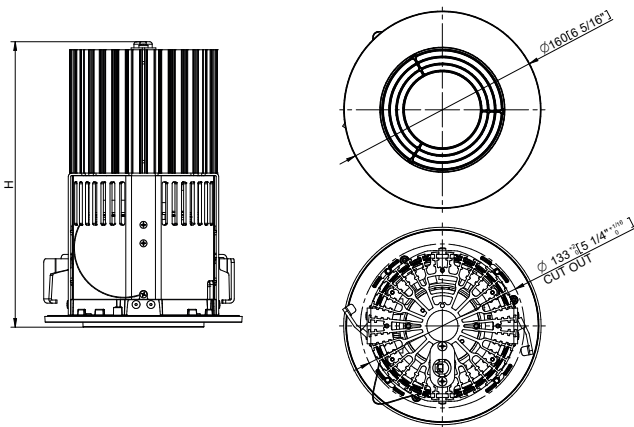
**Ambiane HP111 Recessed - version with Yoke**

Ambiane HP 20° H = 244 mm [9 5/8 in.]  
 Ambiane HP 40° H = 247 mm [9 3/4 in.]  
 Ambiane HP 60° H = 230 mm [9 1/16 in.]  
 Ambiane HP 80° H = 214 mm [8 7/16 in.]



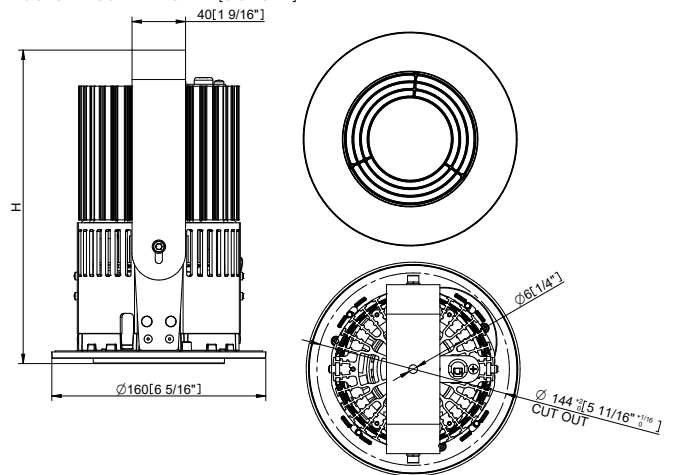
**Ambiane HP111 Recessed - standard with Louver**

Ambiane HP 20° H = 228 mm [9 in.]  
 Ambiane HP 40° H = 231 mm [9 1/8 in.]  
 Ambiane HP 60° H = 214 mm [8 7/16 in.]  
 Ambiane HP 80° H = 198 mm [7 13/15 in.]

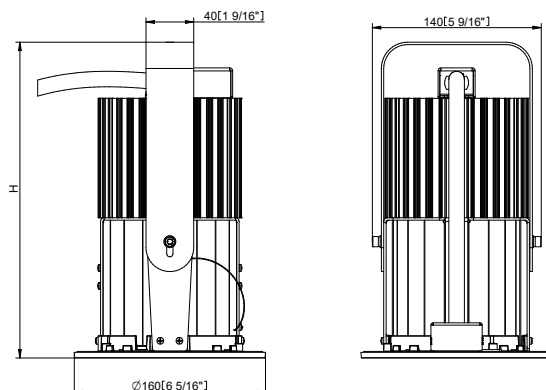


**Ambiane HP111 Recessed - version with Yoke and Louver**

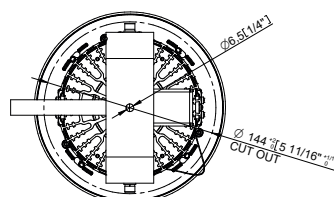
Ambiane HP 20° H = 248 mm [9 3/4 in.]  
 Ambiane HP 40° H = 251 mm [9 7/8 in.]  
 Ambiane HP 60° H = 234 mm [9 1/16 in.]  
 Ambiane HP 80° H = 218 mm [8 9/16 in.]



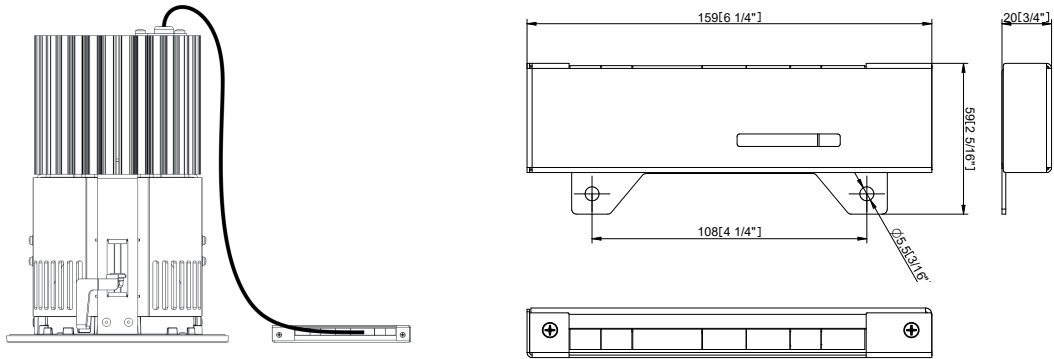
**Ambiane HP111 Recessed US - standard with Louver**



Ambiane HP 20° H = 264 mm [10 3/8 in.]  
 Ambiane HP 40° H = 267 mm [10 1/2 in.]  
 Ambiane HP 60° H = 250 mm [9 13/16 in.]  
 Ambiane HP 80° H = 234 mm [9 3/16 in.]

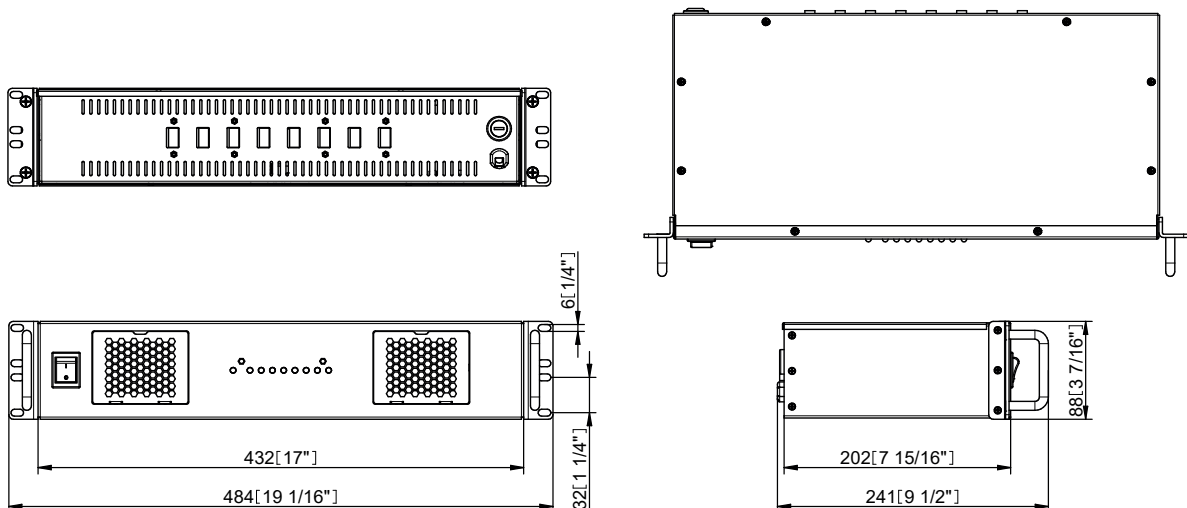


Ambiane HP111 w/Connection Unit



**AMBIANE POWER RACK (CE / US) SPECIFICATION**

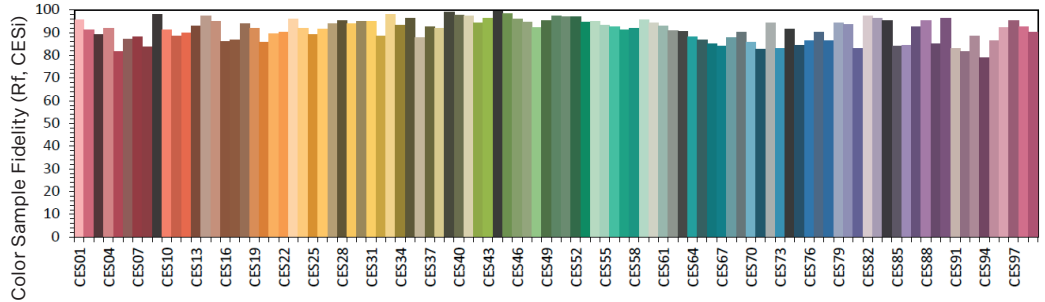
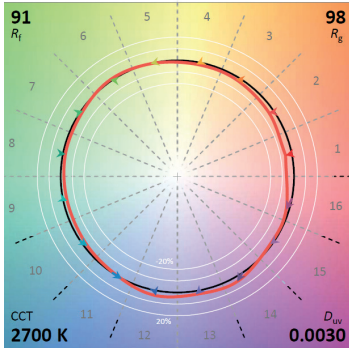
<b>ELECTRICAL</b>	Input Voltage	100 – 240 V AC 50/60 Hz (Ambiane Power Rack) 100 – 277 V AC 50/60 Hz (Ambiane Power Rack US)
	Maximal Power Consumption	1350 W
	Output Voltage	48 V DC
	Outputs	8
	Max. Load per output	200 W
	Max. Total Load	1200 W
<b>PHYSICAL</b>	Length x Height x Depth	484 / 432 x 88 x 241 / 202 mm (19.05 / 17 x 3.46 x 9.48 / 7.95 in.)
	Weight	5.4 kg   11.9lbs
	Housing	Rack Standard - 2U or Wall Mounted Brackets
	Finish Options	Standard Colour - Graphite Black (RAL 9011)   Silver (RAL9006) Cost Option - Custom RAL
	Cables / Connections	8 x Terminal Block (DC power Out) 1x Main Power Cord (w/plug; CE/US)
	Mounting Method	Designed to Rack Box Installation
	Protection Factor	IP20 / Dry locations only
	Cooling System	Fan Cooled
<b>CERTIFICATION</b>	Operating Ambient Temperature	-20 °C / +40 °C (-4 °F / +104 °F)
	Listings	ETL / cETL, CE, RoHS , UKCA



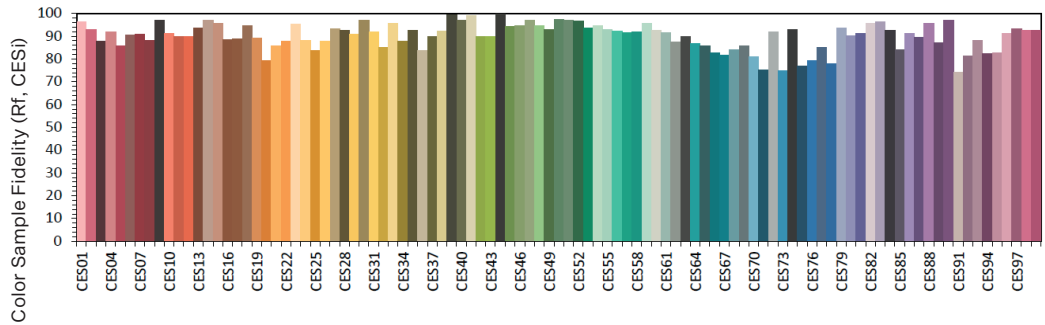
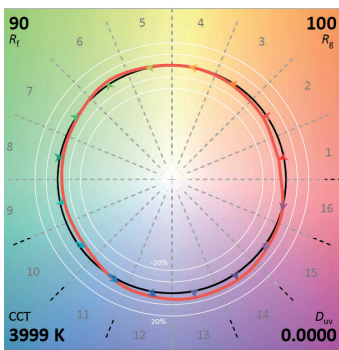
**TM30 FOR AMBIANE HP111**

**NOTE:** This is a recommended method for displaying ANSI/IES TM-30-18 information.

**RGBWW VERSION**



**RGBNW VERSION**



**PHOTOMETRIC OVERVIEW**

Lumen Output (lm)

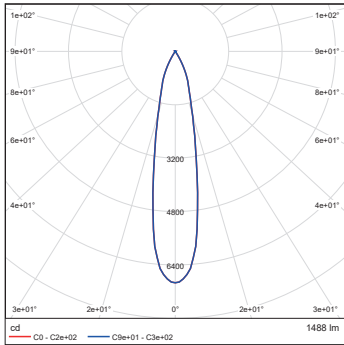
	RGBWW (2700 K)	RGBNW (4000 K)	PW (2700 K)	PW (4000 K)	TW (2700 - 4000 K)	TD (3200 K)
<b>20° with Louver</b>	1 109	1 488	1 526	1 911	1 109 - 1 488	1 500
<b>20° without Louver</b>	1 705	2 289	2 347	2 940	1 705 - 2 289	2 307
<b>40°</b>	2 253	3 024	3 101	3 884	2 253 - 3 024	3 048
<b>60°</b>	2 413	3 239	3 321	4 160	2 413 - 3 239	3 265
<b>80°</b>	2 343	3 145	3 225	4 039	2 343 - 3 145	3 170

**UNIFIED GLARE RATING (UGR)**

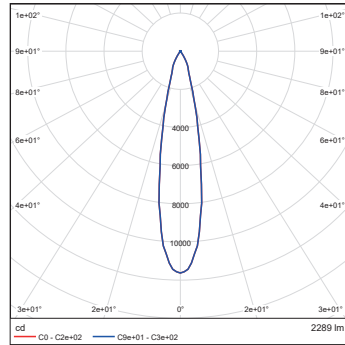
UGR	
<b>20° (with Louver / without Louver)</b>	<7 UGR / <17 UGR
<b>40°</b>	< 21 UGR
<b>60°</b>	< 22 UGR
<b>80°</b>	< 25 UGR

**PHOTOMETRIC DATA**

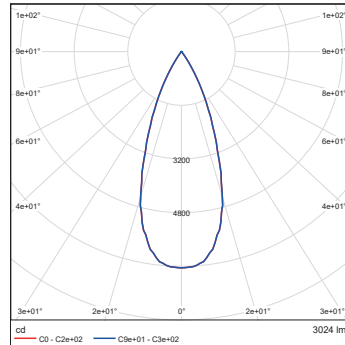
**Ambiane HP111 RGBW 20dg with Ring Louver**



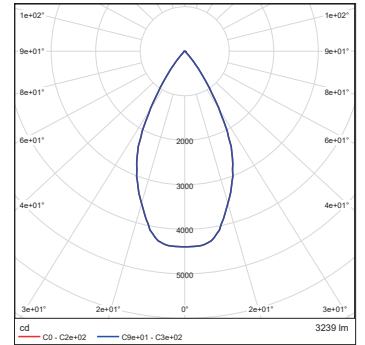
**Ambiane HP111 RGBW 20dg without Ring Louver**



**Ambiane HP111 RGBW 40dg**



**Ambiane HP111 RGBW 60dg**



**Ambiane HP111 RGBW 80dg**

