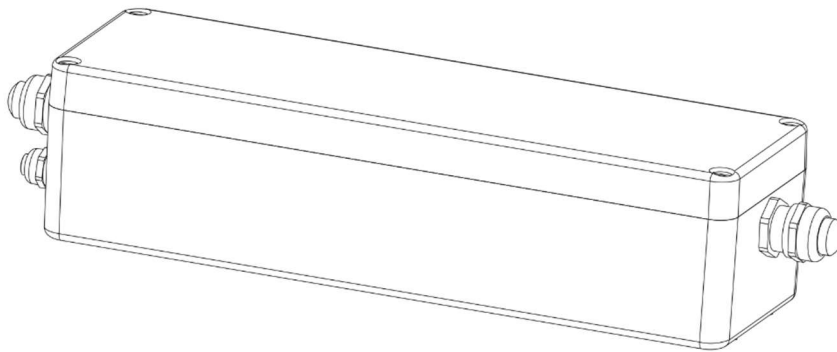


E-box Remote Basic Mini



QR code for user manual



E-box Remote Basic Mini

Table of contents

1. Safety information	4
2. Fixture description	6
3. Mounting	8
4. RDM manager	11
5. Software update of connected LED modules	15
6. Technical specifications.....	16
7. Disposing of the product	17
8. Change Log	17

1. Safety information

**FOR YOUR OWN SAFETY, PLEASE READ THIS USER MANUAL CAREFULLY
BEFORE POWERING OR INSTALLING YOUR E-BOX REMOTE BASIC 240W!
Save it for future reference.**

DANGEROUS VOLTAGE CONSTITUTING A RISK OF ELECTRIC SHOCK IS PRESENT WITHIN THIS UNIT!

Make sure that the available voltage is not higher than stated on the fixture. Always disconnect the fixture from AC power before removing its cover.

Make sure that the supply cables are not damaged by sharp edges. Check the fixture and the cables from time to time.

Do not install the fixture near an open flame.

This fixture falls under protection class I. Therefore, this fixture has to be connected to a mains socket outlet with a protective earthing connection.

Do not connect this fixture to a dimmer pack.

Do not cover the fixture with cloth or other materials.

The fixture is designed for outdoor use and it is intended for professional application only. It is not for household use.

When choosing the installation spot, please make sure that the fixture is not exposed to extreme heat or dust.

Only operate the fixture after having checked that the housing is firmly closed and all screws are tightly fastened.

Operate the fixture only after having familiarized yourself with its functions. Do not permit operation by persons not qualified to operate the fixture. Most damages are the result of unprofessional operation!

Please consider that unauthorized modifications on the fixture are forbidden due to safety reasons! Please use the original packaging if the fixture is to be transported.

If this device will be operated in any way different to the one described in this manual, the product may suffer damages and the warranty becomes void. Furthermore, any other operation may lead to dangers like short-circuit, burns, electric shock etc.

The product (covers and cables) must not be exposed to a high frequency electromagnetic field higher than 3V/m.

Immunity of the equipment is designed according to the standard EN 55035 Electromagnetic compatibility of multimedia equipment - Immunity requirements

Emission of the equipment complies with the standard EN55032 Electromagnetic compatibility of multimedia equipment – Emission Requirements according to class B.

This device complies with part 15 of the FCC Rules. Operation is subject to the following two conditions: (1) This device may not cause harmful interference, and (2) this device must accept any interference received, including interference that may cause undesired operation.

Changes or modifications not expressly approved by the party responsible for compliance could void the user's authority to operate the equipment.

The [Device] wireless operation is safe and complies to RF Exposure requirements.

This equipment has been tested and found to comply with the limits for a Class B digital device, pursuant to part 15 of the FCC Rules. These limits are designed to provide reasonable protection against harmful interference in a residential installation. This equipment generates, uses and can radiate radio frequency energy and, if not installed and used in accordance with the instructions, may cause harmful interference to radio communications. However, there is no guarantee that interference will not occur in a particular installation. If this equipment does cause harmful interference to radio or television reception, which can be determined by turning the equipment

off and on, the user is encouraged to try to correct the interference by one or more of the following measures:

- Reorient or relocate the receiving antenna.
- Increase the separation between the equipment and receiver.
- Connect the equipment into an outlet on a circuit different from that to which the receiver is connected.
- Consult the dealer or an experienced radio/TV technician for help.

ATTENTION!

Risque de choc. Couper L'alimentation avant L'entretien.

Non destine a à un usage domestique

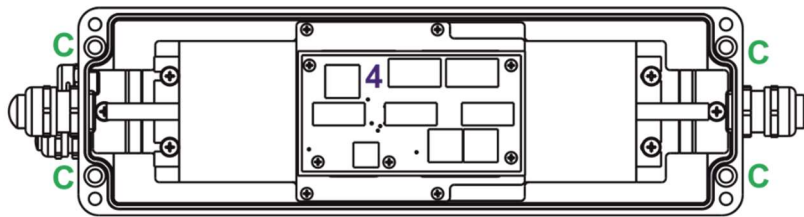
Convient aux emplacements mouillés.

Ce produit doit être installé selon le code d'installation pertinent, par une personne qui connaît bien le produit et son fonctionnement ainsi que les risques inhérents.

2. Fixture description



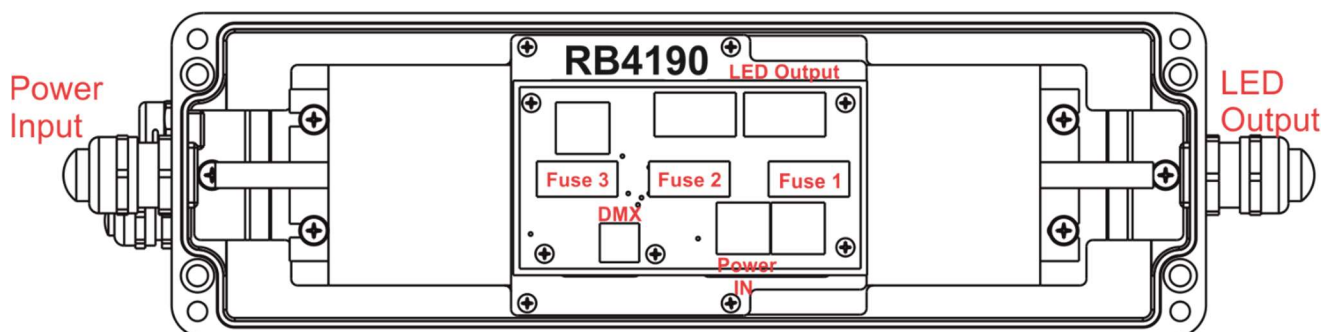
View without top cover



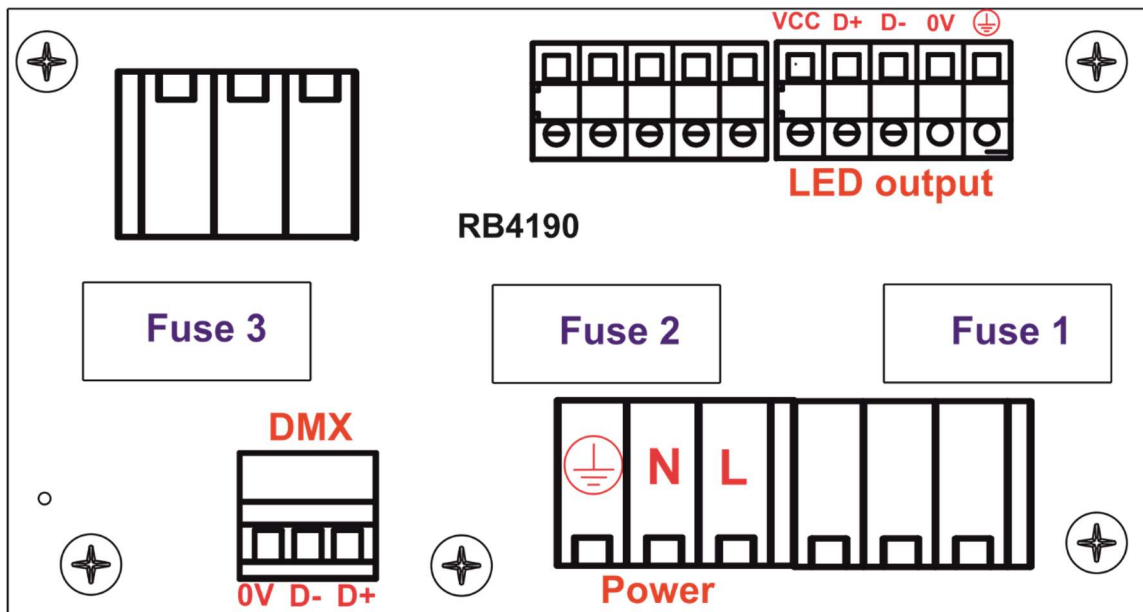
- A - Top cover
- B - Top cover fastening screws
- C - Mounting holes

- 1 - LED Output (cable gland M20x1.5)
- 2 - Power IN (cable gland M20x1.5)
- 3 - DMX IN (cable gland M12x1.5)
- 4 - Connection board (RB4190)

Connection points



Detail of PCB RB4190



- Fuse 1 T 6.3A/500V AC
- Fuse 2 T 8A/250V AC
- Fuse 3 T 8A/250V AC

3. Mounting

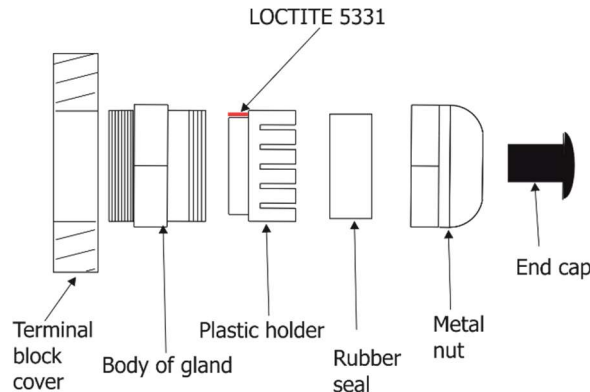
Fixture must be installed by a qualified electrician in accordance with all national and local electrical and construction codes and regulations.

Connecting the E-BOX REMOTE BASIC 240W can be done by a qualified person only!

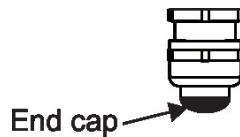


Note for cable glands.

We recommend applying an adequate layer of the paste LOCTITE 5331 on the plastic holder of the cable gland before inserting it into the body of the gland.



1. Remove the top cover (A) from the E-box Remote Basic Mini by unscrewing four fastening screws (B) in order to get access to terminals.
2. Fasten the E-box Remote Basic Mini on a non-flammable flat surface via four mounting holes (C) of a diameter of 6.5 mm in its housing.
3. Remove end caps from cable glands before passing cables. To keep declared IP rating of the device, every cable gland has to be covered with the end cap if the cable gland is not used.



5. Pass cable for DMX through the cable glands M12x1.5 and connect it to the terminal block and tighten the cable in the cable gland.
6. Pass cables for Power and LED outputs through cable glands M20x1.5 and connect them to the terminal blocks and tighten the cables in the cable glands.

Cable glands serve for cables of the following diameters:

Cable gland M12x1.5 (DMX IN/OUT, Ethernet IN/OUT) - for cable of a diameter of 3-7mm.

Cable gland M20x1.5 (Power IN, LED Output) - for cable of a diameter of 7-13mm. For smaller diameter of cable (4-8mm) you have to remove original seal from the cable gland M20 and use reducing seal (P/N 13051388) instead of it. Reducing seal is enclosed to the product.

Check that all screws and cable glands are firmly tightened.

7. Screw the top cover (A) back on the box.

ALWAYS DISCONNECT THE E-BOX REMOTE BASIC 240W FROM MAINS BEFORE CONNECTING/DISCONNECTING LED MODULES

This device falls under protection class I. Therefore, every E-box Remote Basic 240W

Power connection

	L	N	
Core (CE)	Brown	Blue	Green/yellow
Core (US)	Black	White	Green

DMX connection

D+	D-	0V
Data +	Data -	Data ground (shielding)

Eminere Remote connection

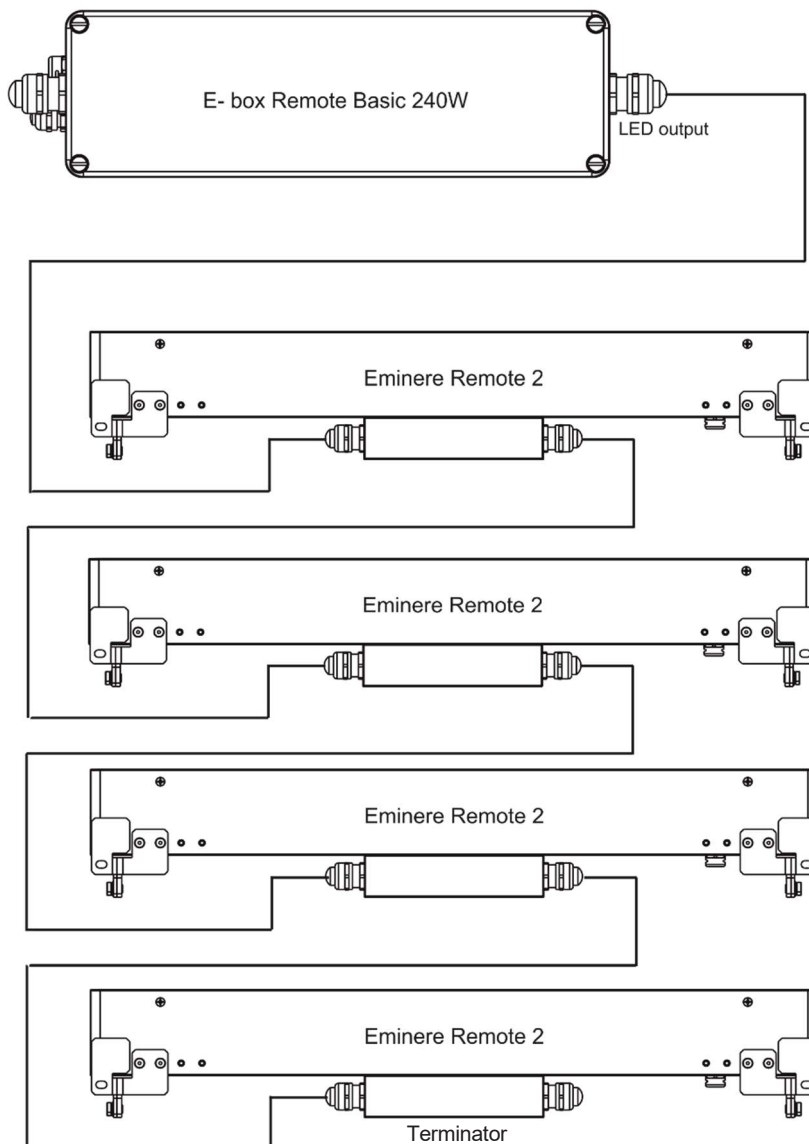
CE version:

Mark	Function	Wire
Vcc	LEDs +	Red
D+	DATA +	Orange
D-	DATA -	White
0V	LEDS -	Black
⊕	Ground	Not connected

US version:

Mark	Function	Wire
Vcc	LEDs +	Red
D+	DATA +	Orange
D-	DATA -	White
0V	LEDS -	Black
⊕	Ground	Green

Example of connection

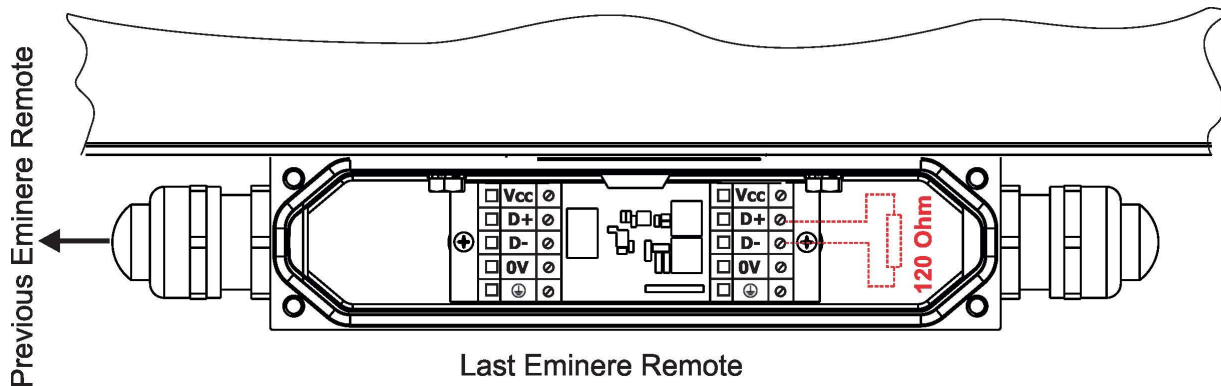


Each line of Emineres Remote connected to the LED output of the E-box Remote Basic Mini has to be terminated at the last fixture.

EITHER connect a 120 Ohm resistor between terminals D+ and D- as shown, **OR** terminate via RDM as described on page 14.



Ensure **ONLY** the last fixture in the line is terminated using **ONE** of the above methods!

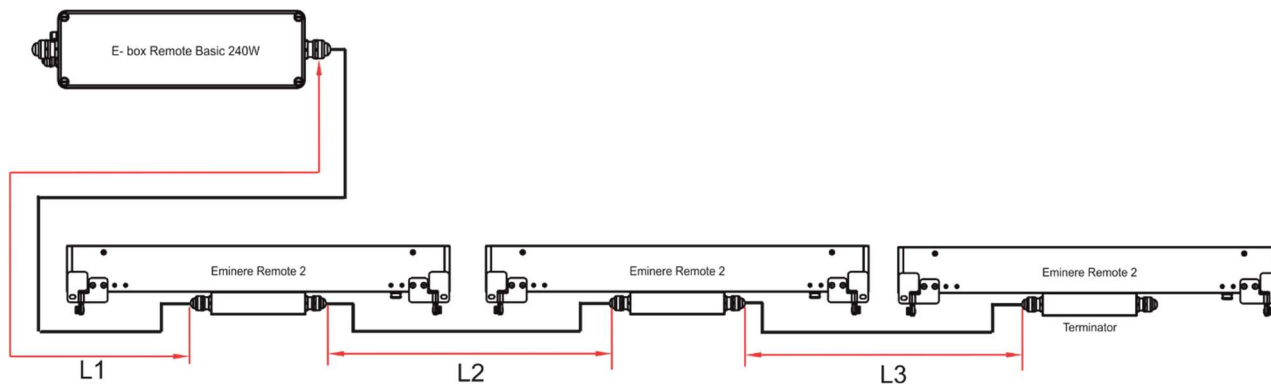


The number of Emineres Remote connected to one LED output of the E-box Remote Basic Mini depends on the type of Eminere Remote and cable length.

The table states max. number of Emineres Remote connected to the E-box Remote Basic Mini.

Cable length *	Max. number of Emineres Remote connected to the E-box Remote Basic Mini			
	Eminere Remote 1	Eminere Remote 2 (UV)	Eminere Remote 3	Eminere Remote 4 (UV)
25 m	10	5	3	2
50 m	8	4	2	2
75 m	6	3	2	1
100 m	5	2	1	1

* Cable length is the total cable length between E-box Remote Basic Mini and last connected Eminere Remote. Example: Total cable length=L1+L2+L3.

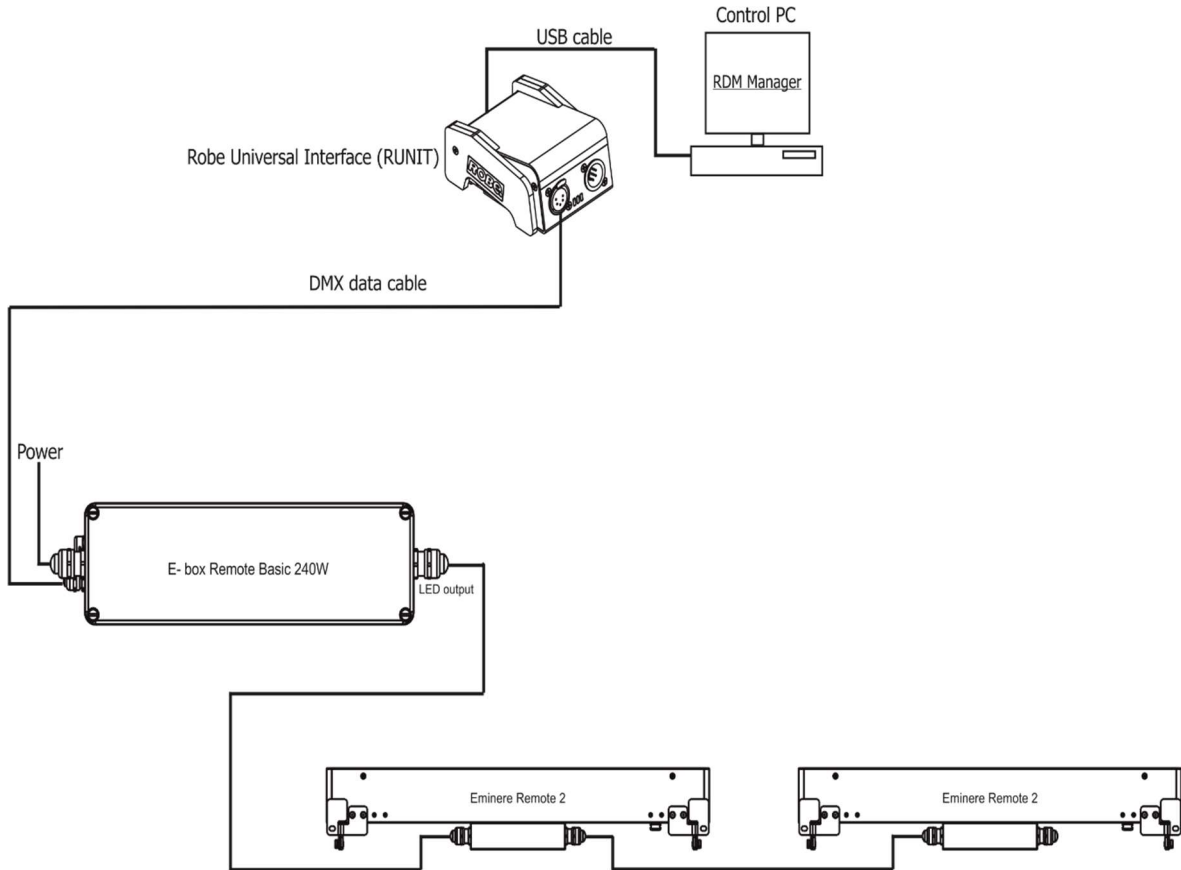


4.RDM manager

The RDM manager allows you to read information about connected LED modules and set their behaviour. The Emineres Remote can be controlled in the Pass Through mode only.

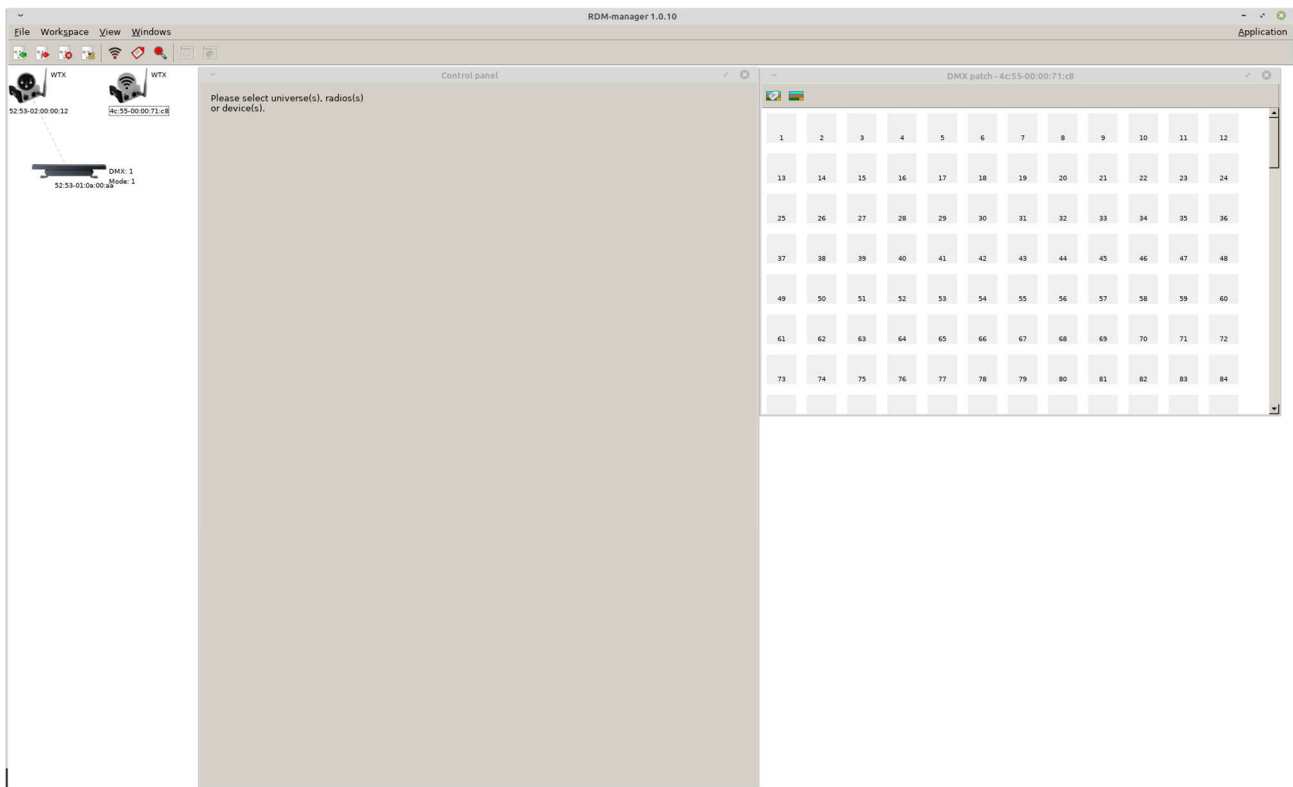


RDM Manager and DMX controller cannot be connected at the same time.



Examples of RDM manager screenshots.

Initial screen of the RDM manager – Pass Through mode:



Click on the LED device to show and set options in the Control panel:

Occupied channels are displayed in the window DMX patch

Click on the green arrow to save adjusted values to LED module

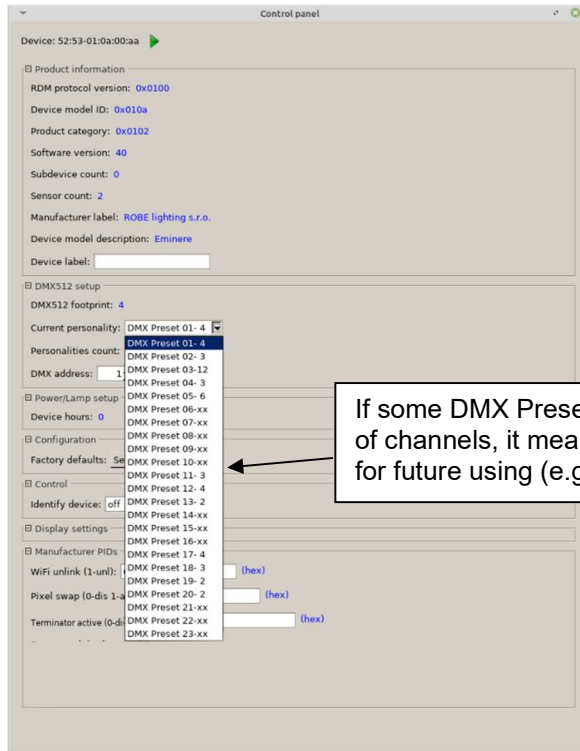
DMX preset and number of used channels

DMX address

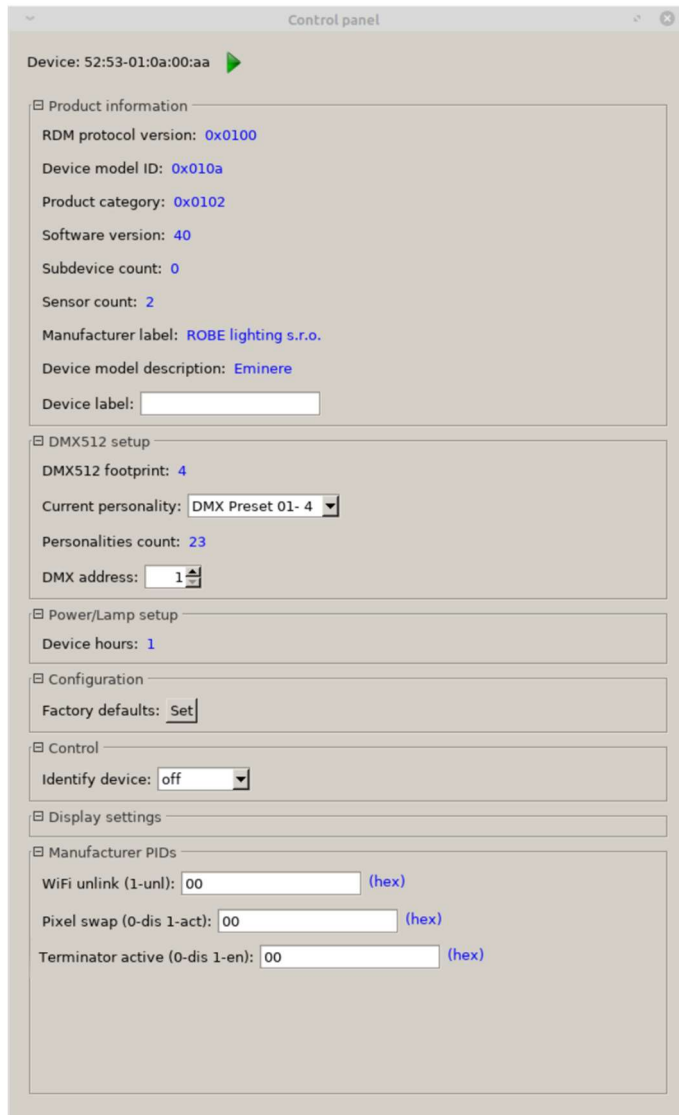
Option Pixel swap is not available at Calumma modules

Control panel details:

- Device: 52:53-01:0a:00:aa
- Product information: RDM protocol version: 0x0100, Device model ID: 0x010a, Product category: 0x0102, Software version: 40, Subdevice count: 0, Sensor count: 2, Manufacturer label: ROBE lighting s.r.o., Device model description: Eminere, Device label: []
- DMXS12 setup: DMXS12 footprint: 4, Current personality: DMX Preset 01 - 4, Personalities count: 23, DMX address: 1
- Power and setup: Device hours: 0
- Configuration: Factory defaults: Set
- Control: Identify device: off
- Display settings: Manufacturer PIDs: WiFi unlink (1-unl): 00 (hex), Pixel swap (0-dis 1-act): 00 (hex), Terminator active (0-dis 1-en): 00 (hex)



Options in the control panel:





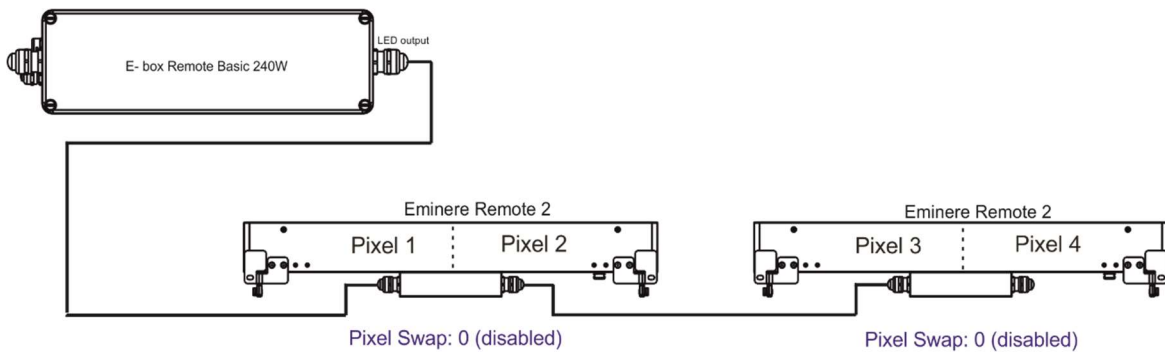
Last Eminere on each DMX line may be terminated by setting the 'Manufacturer PID' 'Terminator active' to "1",

But ensure that the fixture is not already terminated with a 120 Ohm resistor as described on page 10.

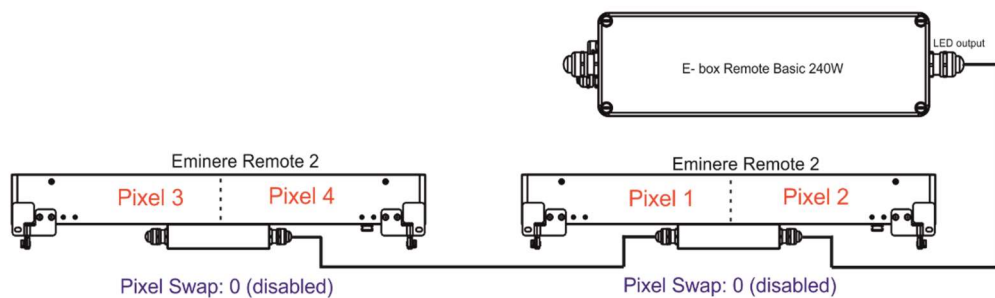


The option "Pixel swap" from RDM control panel allows you to swap a pixel order.

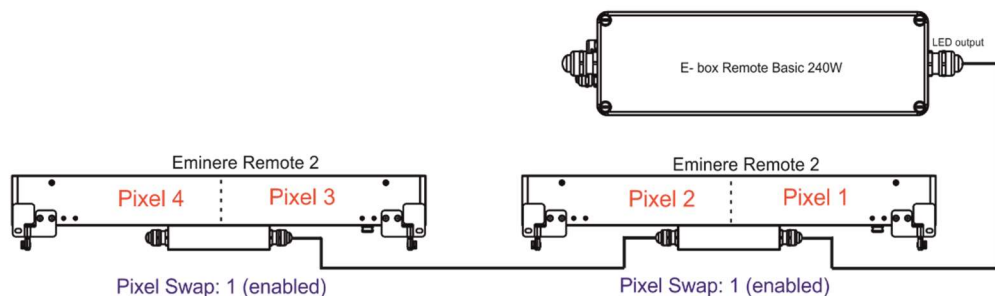
Example:



In case of reconnecting the E-box Remote Basic 240W on the other end of Emineres Remote line, the pixel order is not in succession:



By means of the function "Pixel swap" you can rearrange pixels order.



5. Software update of connected LED modules

The software update of connected LED modules can be done by the Robe Universal Interface (or Robe Universal Interface WTX), DMX connection and the ROBE RDM Uploader software.

The ROBE Uploader is a software for automatized software update of ROBE fixtures.

Please see <https://www.robe.cz/robe-uploader/> for more information about the ROBE Uploader.



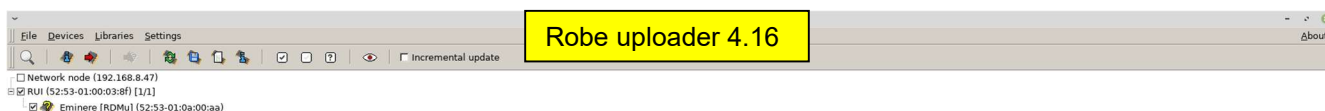
After updating Emineres Remote from older version to version 4.0, the Emineres Remote will be set to default (factory) values including DMX presets and addresses!

Setting of Calumma XS modules will not be changed.

Update from version 4.0 to newer version will not affect setting of connected Eminere Remotes and Calummas XS.

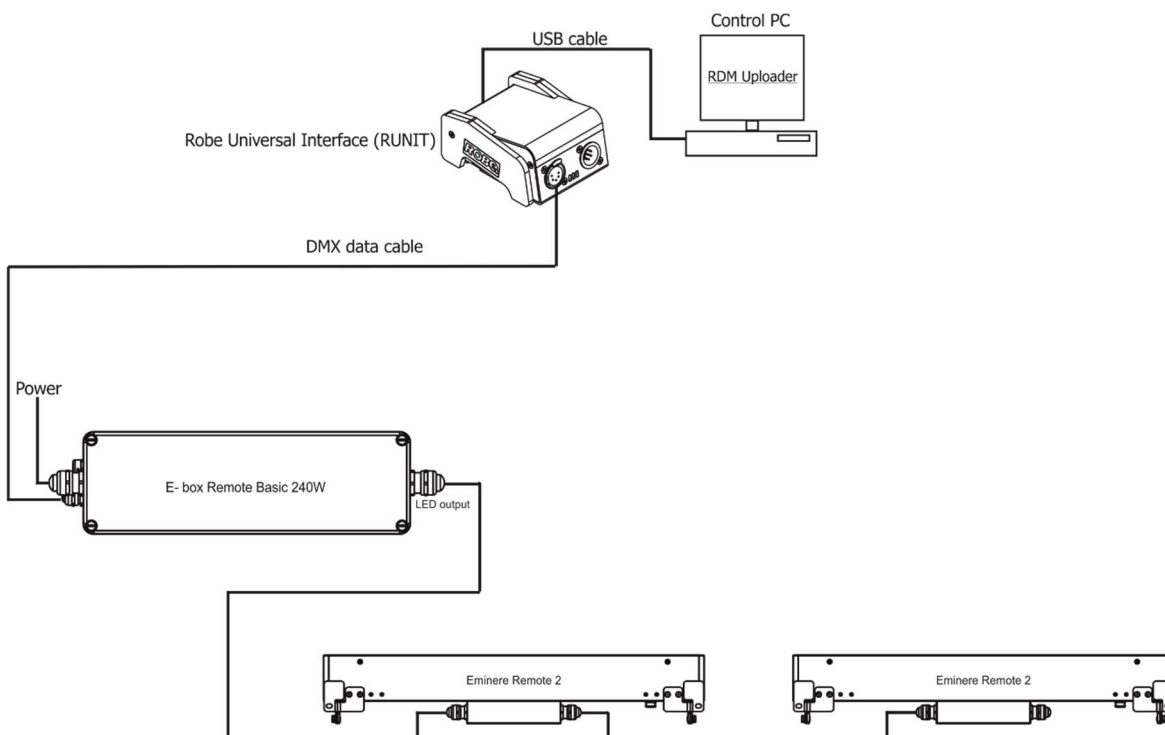
Version of the Robe uploader has to be 4.16 and higher!

You have to use the file Eminere.lib for Emineres Remote update or Calumma.lib for Calummas XS update in the ROBE Uploader.



In case of combination of Emineres Remote and Calummas XS, update Emineres Remote using file Eminere.lib and after that update Calummas XS using file Calumma.lib.

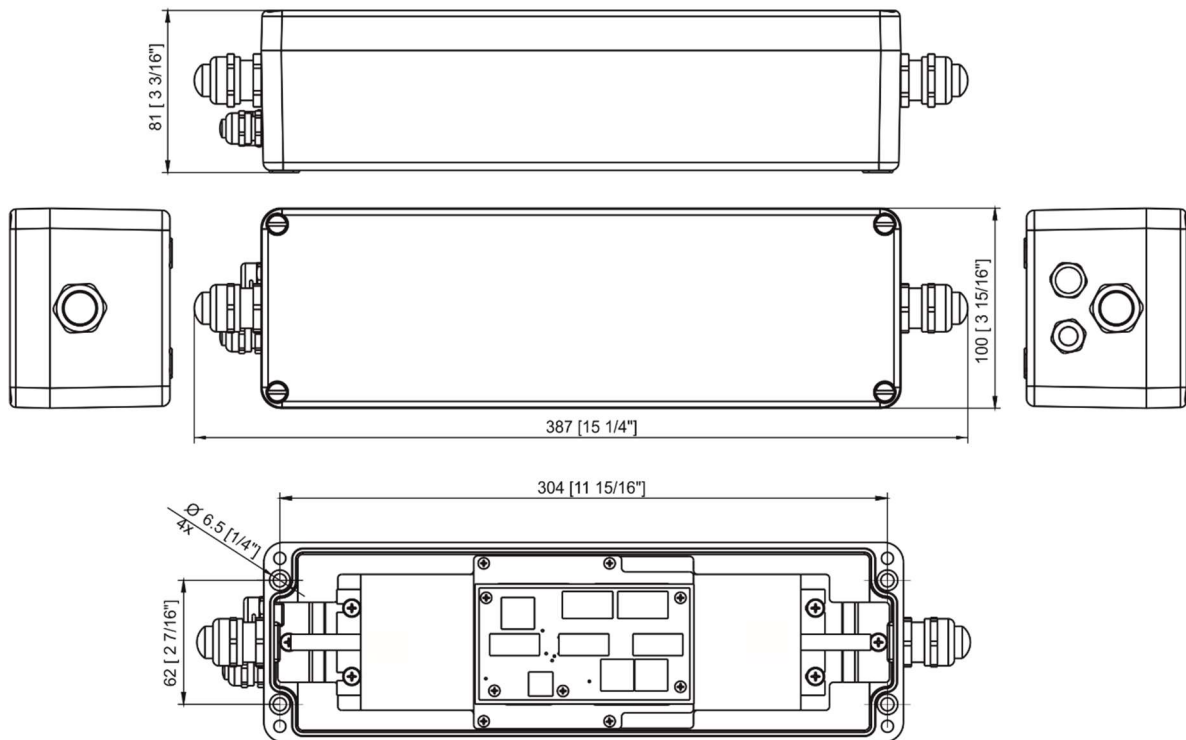
Examples of connection for software update of LED modules.



6. Technical specifications

Input voltage	120-240 V AC; 277V AC
Frequency	50/60Hz
Power consumption	260W
Inrush current (Typ.)	75A/230V (cold start)
Fuse 1	T 6.3A/500V AC
Fuse 2	T 8A/250V AC
Fuse 3	T 8A/250V AC
LED Output	
Number of outputs	1
Voltage	48V DC
Max output power	240W
Connection	
Power	terminal block
DMX	terminal block
LED Output	terminal block
Operating ambient temperature range	-20/+40°C (-4°F / +104°F)
Cooling System	convection
Protection factor	IP66 (CE), Suitable for Wet Locations (US)
IK Rating	IK09
Weight:	2.8 kg (6.2 lbs)

Dimensions
mm [inch]



Included items

- 1 x E-box Remote Basic Mini
- 1 x Reducing seal (P/N 13051388)
- 1 x User manual

7. Disposing of the product

To preserve the environment please dispose or recycle this product at the end of its life according to the local regulations and codes.

8. Change Log

This section summarizes changes in the user manual.

Version of the manual	Date of issue	Description of changes
1.1	30/06/2023	Device renamed
1.2	07/02/2025	Rubber seal P/N 13051388 added

February 7, 2025

Specifications are subject to change without notice.

Copyright © 2023 -2025 Robe Lighting - All rights reserved

Made in CZECH REPUBLIC by ROBE LIGHTING s.r.o. Palackeho 416/20 CZ 75701 Valasske Mezirici