

LYRAE™ XS MC

Difficult inground installations are made easier with the Lyrae XS MC. High light output comes from powerful LEDs and it can be used with a variety of optics, from narrow to wide, in addition to a bi-symmetrical option. The light source can be tilted 20° from the horizontal position, always ensuring accurate illumination of the selected surface. Additionally, Lyrae XS MC can be equipped with anti-skid glass featuring the highest standards of certification for anti-slip usage having no impact on the fixture's outstanding colour mixing.



KEY FEATURES

Lumen output & Light source

Luminaire with one high-power LED provides light output with a high efficacy. Offering a choice of RGBW and RGBA LED colour variants, precise beam control with no light spill, and perfectly homogenised light output, it's an excellent solution for applications requiring high performance in a compact luminaire.

Design & Durability

Lightweight, compact, durable and stylish housing made of high-pressure die cast aluminium. IP68 and IK10 certification. Supported with a 5 year warranty.

Flexibility

An exceptionally compact luminaire available with RGBW and RGBA LED choices, and beam angle options, Lyrae XS offers the lighting designer a flexible solution for the most demanding applications.

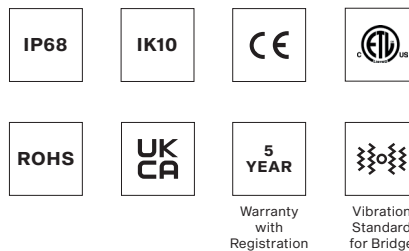
COLOURS



CONTROL & PROTOCOLS



STANDARD & SPECIFICATION

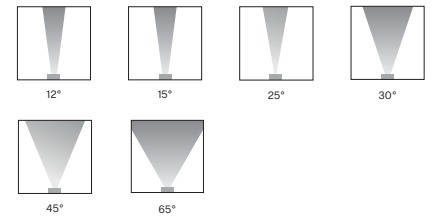


TRIM FINISH OPTIONS

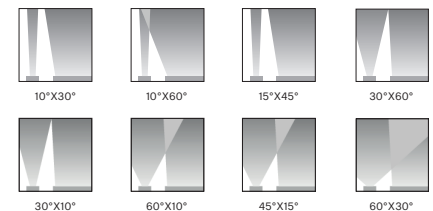


OPTIC OPTIONS

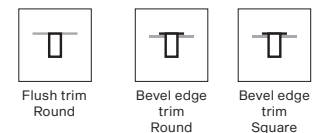
SYMMETRICAL



BI-SYMMETRICAL



TRIM OPTIONS

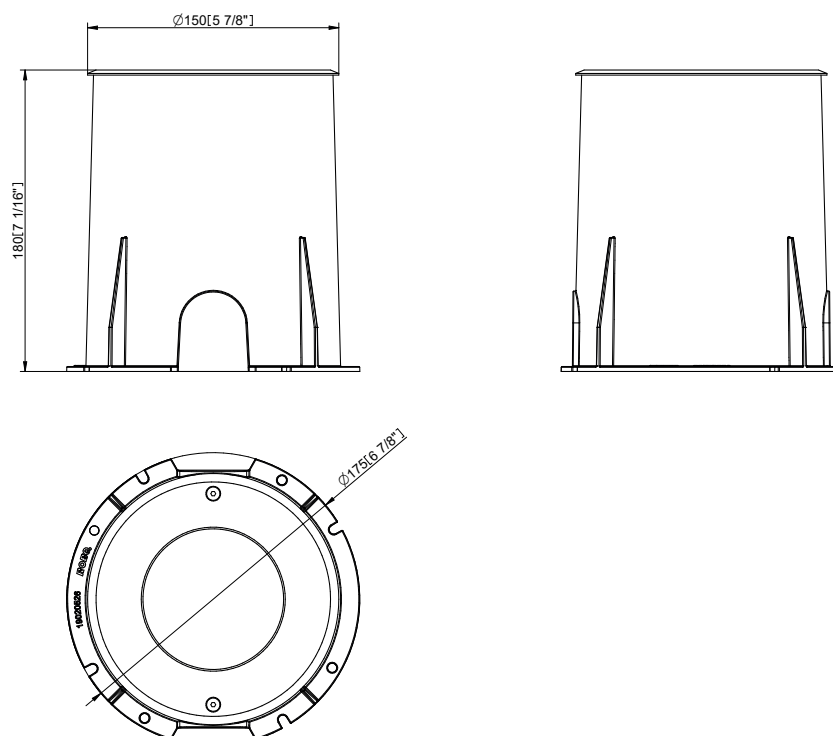


SPECIFICATION

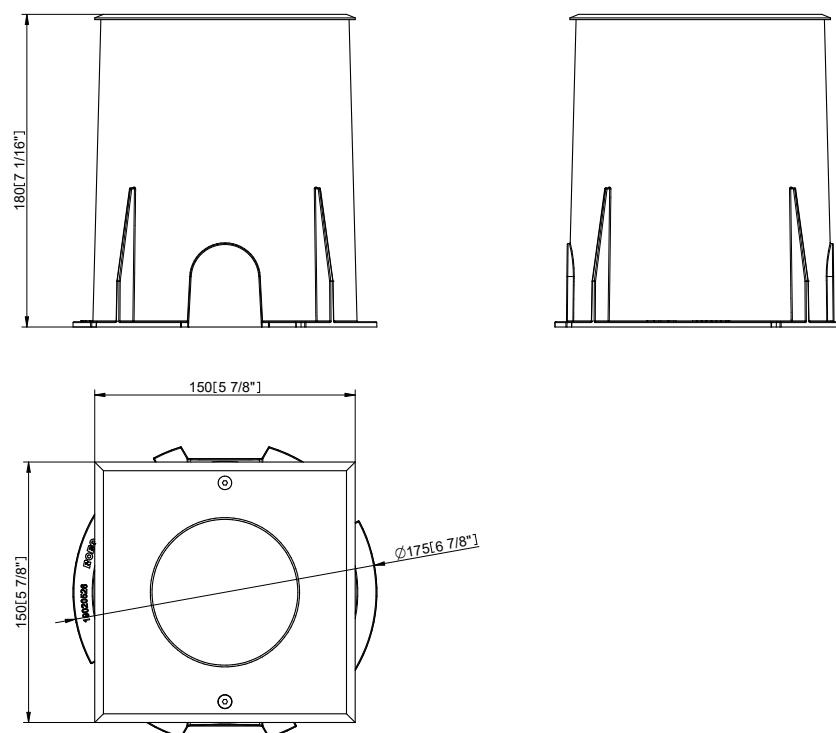
ELECTRICAL	Typical Power Consumption	14 W +/-10 %	
	Input Voltage	48 V	
OPTICAL	Light Source	High Power Multi Chip LED	
	Colour Variants	RGBW (W - 6500 K) RGBA	
	Beam Angle	Clear Glass	Symmetrical: 12° 15° 25° 30° 45° 65° Bi-symmetrical: 10°x30° 30°x10° 10°x60° 60°x10° 15°x45° 45°x15° 30°x60° 60°x30°
		Anti-Skid Glass	Symmetrical: 18° 22° 35° 50° (preliminary) Bi-symmetrical: 20° x 35° 35° x 20° 20° x 65° 65° x 20° 20° x 50° 20° x 50° 35° x 65° 65° x 35° (preliminary)
	Lumen Output Delivered	500 lm (@12° RGBW) (preliminary)	
	Projected Lumen Maintenance	L90B10 >90.000 hrs, Ta = 25°C / 77°F	
CONTROL	Interface protocol	E-box Remote Range	
	E-Box Remote control protocol	USITT DMX512/RDM, ArtNet, MA Net, MA Net2, sACN, Kling-Net	
	Setting / addressing	E-box Remote range	
	Connectivity & Power Supply	E-Box Remote range	
PHYSICAL	Flange Diameter x Diameter x Height	Bevel Egde Trim: ø 150 x ø 175 x 180 mm (ø 5.9 x ø 6.9 x 7.1 in.)	
	Weight	1.2 kg 2.65 lbs	
	Housing	High Pressure Die-Cast Aluminium Body Stainless Flange Tempered Glass (Clear or Anti-Skid)	
	Trim Options	Bevel Edge Trim Flush Trim	
	Trim Shape	Round Square	
	Trim Finish Options	Stainless steel	
	Cables / Connectivity	1m cable, bare end (custom length on request) Junction Box	
	Mounting Method	External Mounting Sleeve	
	Adjustability	Tilt 0° - 20° (One Direction Tilt)	
	Protection Factor	IP68 / Suitable For Wet Locations (8h @ 1m)	
	IK Rating	IK10	
	Static Load Resistance	35 kN (TBC)	
	Cooling System	Convection	
	Operating Ambient Temperature	-20 °C / +40 °C (-4 °F / +104 °F)	
CERTIFICATION	Listings	ETL / cETL, CE, RoHS, UKCA	
ACCESSORIES	Not Included Items		
		Lyrae XS Mounting Sleeve	
		Trim for Lyrae XS (Stainless Steel, Round, Bevel Edge)	
		Trim for Lyrae XS (Stainless Steel, Round, Flush)	
		Trim for Lyrae XS (Stainless Steel, Square, Bevel Edge)	
		Junction Box Remote (1x Output)	
		Junction Box Remote (4x Output)	
		Re-enterable Electrical Insulating Resin	
	Rock Guard		
DEMO SET	Lyrae XS Demo Set	Includes: Lyrae fixture, Mounting Sleeve, Trim, Set of Optical Foils (Not suitable for permanent instalations. IP2X.)	

DIMENSIONS

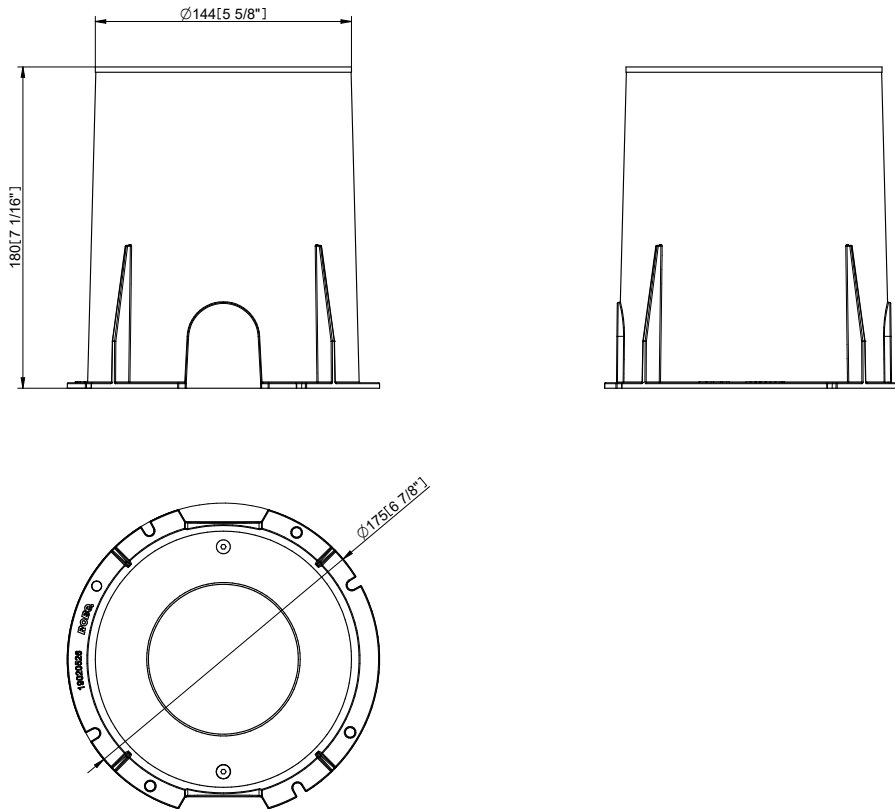
with Round beveled Trim



with Square beveled Trim



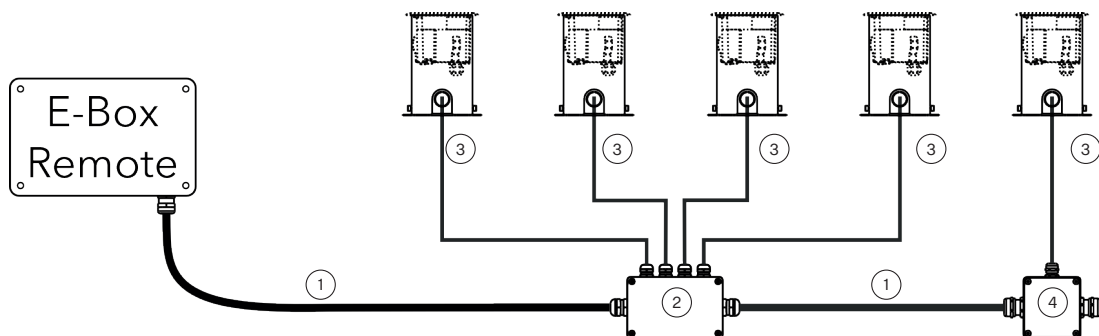
with Round flush Trim



CONTROL AND CONNECTION OPTIONS

via E-BOX REMOTE

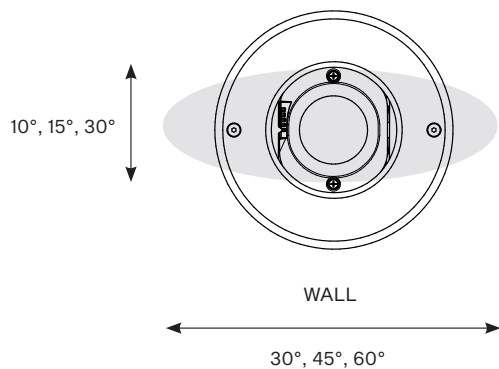
- 1) SJTW 5x 14AWG (1305 3336), black
- 2) Junction Box Remote (4x Output) + Re-enterable Electrical Insulating Resin (P/N 10980658, sold separately)
- 3) UL 20969 5x 20AWG (13053481), black
- 4) Junction Box Remote (1x Output) + Re-enterable Electrical Insulating Resin (P/N 10980658, sold separately)



Note: All Anolis cables must be in placed in protective conduit – not suitable for direct burial.

BI-SYMMETRICAL BEAM ANGLES

Bi-symmetrical:
10°x30°,
10°x60°,
15°x45°,
15°x90°,
30°x60°



Bi-symmetrical:
10°x30°,
10°x60°,
15°x45°,
15°x90°,
30°x60°

