

## LYRAE™ S SC

Difficult inground installations are made easier with the Lyrae S SC. High light output comes from powerful LEDs and it can be used with a variety of optics, from narrow to wide, in addition to a bi-symmetrical option. The light source can be remotely tilted 25° from the horizontal position, always ensuring accurate illumination of the selected surface. Additionally, Lyrae S SC can be equipped with anti-skid glass featuring the highest standards of certification for anti-slip usage having no impact on the fixture's outstanding colour mixing.



### KEY FEATURES

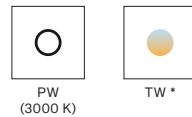
#### Lumen output & Light source

Providing perfectly mixed colour with luminous flux up to 1422 lm (@ PW 3000K), the 27 W Lyrae S SC luminaire utilises LEDs with 10° optics. Its excellent lumen maintenance of 90,000 hrs (L90B10) provides a dependable and long-term lighting installation.

#### Physical

Protected underground by high-pressure, die-cast aluminum, the above-ground stainless steel and glass cover provides an elegant and durable lighting solution in all kind of weather. The glass cover can be clear or with anti-skid treatment for inground applications, and its durability is guaranteed by IP68 and IK10 certification.

### COLOURS

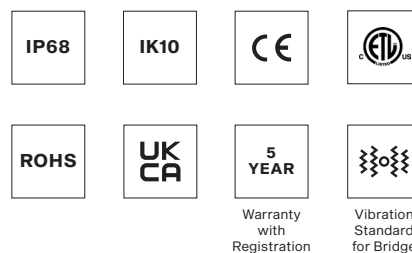


\* UPON REQUEST

### CONTROL & PROTOCOLS



### STANDARD & SPECIFICATION

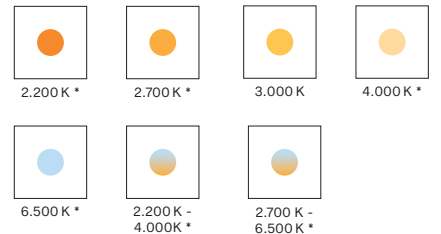


### TRIM FINISH OPTIONS



Stainless Steel

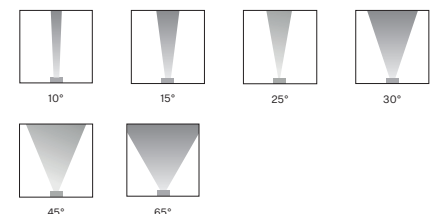
### COLOUR TEMPERATURE



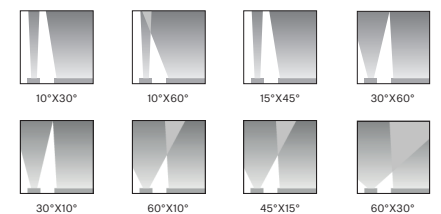
\* UPON REQUEST

### OPTIC OPTIONS

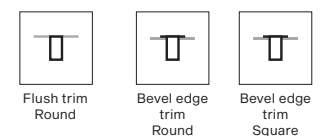
#### SYMMETRICAL



#### BI-SYMMETRICAL



### TRIM OPTIONS

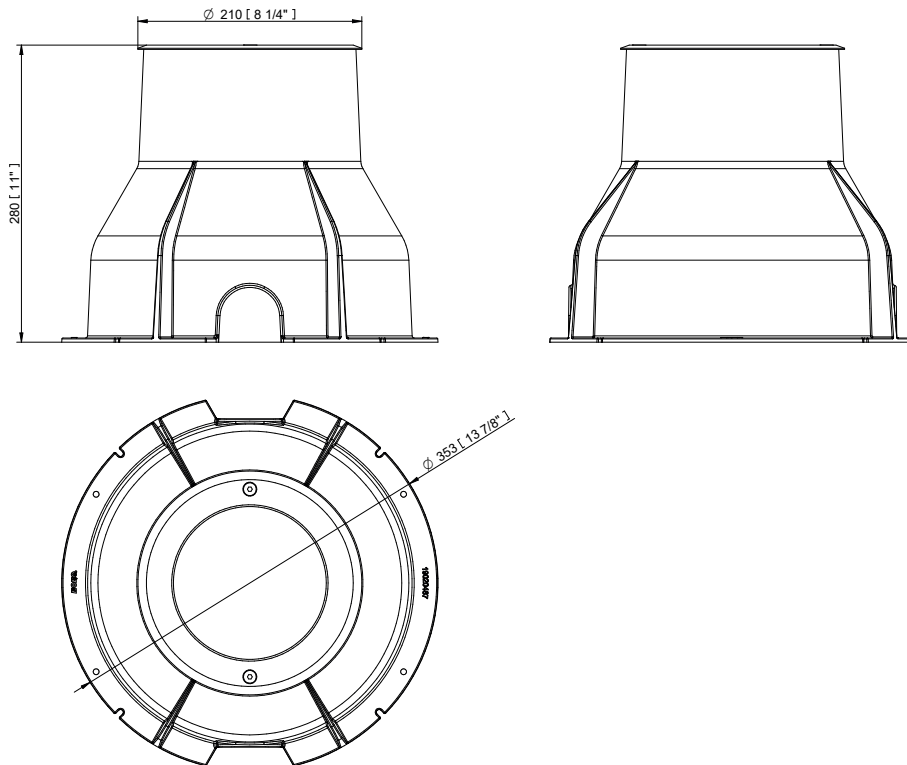


**SPECIFICATION**

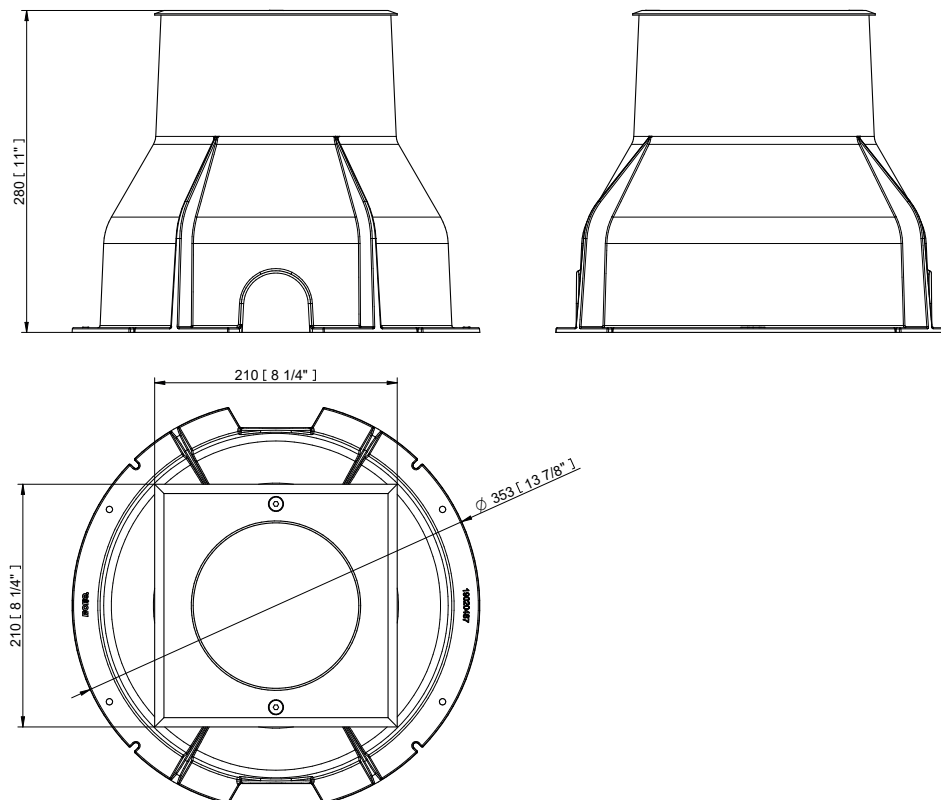
<b>ELECTRICAL</b>	Input Voltage	120 - 277 V AC 50/60 Hz	
	Typical Power Consumption	30 W +/-10 %	
<b>OPTICAL</b>	Light Source	High Power Single Chip LEDs	
	Colour Variants	PW (3000 K) Variants On Request (TW (2200 - 4000 K   2700 - 6500 K)   2200 K   2700 K   4000 K   6500 K)	
	Beam Angle	Clear Glass	Symmetrical: 10°   15°   25°   30°   45°   65° Bi-symmetrical: 10°x30°   30°x10°   10°x60°   60°x10°   15°x45°   45°x15°   30°x60°   60°x30°
		Anti-Skid Glass	Symmetrical: 18°   22°   35°   50° (preliminary) Bi-symmetrical: 20° x 35°   35° x 20°   20° x 65°   65° x 20°   20° x 50°   20° x 50°   35° x 65°   65° x 35° (preliminary)
	Lumen Output Delivered	1422 lm (@10° PW 3000 K)	
	Projected Lumen Maintenance	L90B10 >90.000 hrs, Ta = 25°C / 77°F	
<b>CONTROL</b>	Interface Protocol	DMX/RDM   DTP   DALI 2	
	Operating Modes	DMX, Stand-alone	
	Settings / Addressing	RDM	
	Power Supply	Integrated	
<b>PHYSICAL</b>	Flange Diameter x Diameter x Height	Bevel Edge Trim: ø 210 x ø 353 x 280 mm (ø 8.3 x ø 14 x 11.1 in.)	
	Weight	3.75 kg   8.16 lbs	
	Housing	High Pressure Die-Cast Aluminium Body   Stainless Flange   Tempered Glass (Clear or Anti-Skid)	
	Trim Options	Bevel Edge Trim   Flush Trim	
	Trim Shape	Round   Square	
	Trim Finish Options	Stainless steel	
	Cables / Connections	Integrated Junction Box	
	Mounting Method	External Mounting Sleeve	
	Adjustability	Motorised Tilt 0° - 25° (One Direction Tilt) - Setting-up via NFC (password protected), or DMX	
	Protection Factor	IP68 / Suitable For Wet Locations (8h @ 1m)	
	IK Rating	IK10	
	Static Load Resistance	35 kN (TBC)	
	Cooling System	Convection	
	Operating Ambient Temperature	-20 °C / +40 °C (-4 °F / +104 °F)	
<b>CERTIFICATION</b>	Listings	ETL / cETL, CE, RoHS, UKCA	
<b>ACCESSORIES</b>	<b>Not Included Items</b>		
		Lyrae S Mounting Sleeve	
		Junction Box (CE or US)	
		Trim for Lyrae S (Stainless Steel, Round, Bevel Edge)	
		Trim for Lyrae S (Stainless Steel, Round, Flush)	
		Trim for Lyrae S (Stainless Steel, Square, Bevel Edge)	
	Re-enterable Electrical Insulating Resin		
	Rock Guard		
<b>DEMO SET</b>	Lyrae S Demo Set	Includes: Lyrae fixture, Mounting Sleeve, Trim, Set of Optical Foils (Not suitable for permanent instalations. IP2X.)	

**DIMENSIONS**

with Round beveled Trim

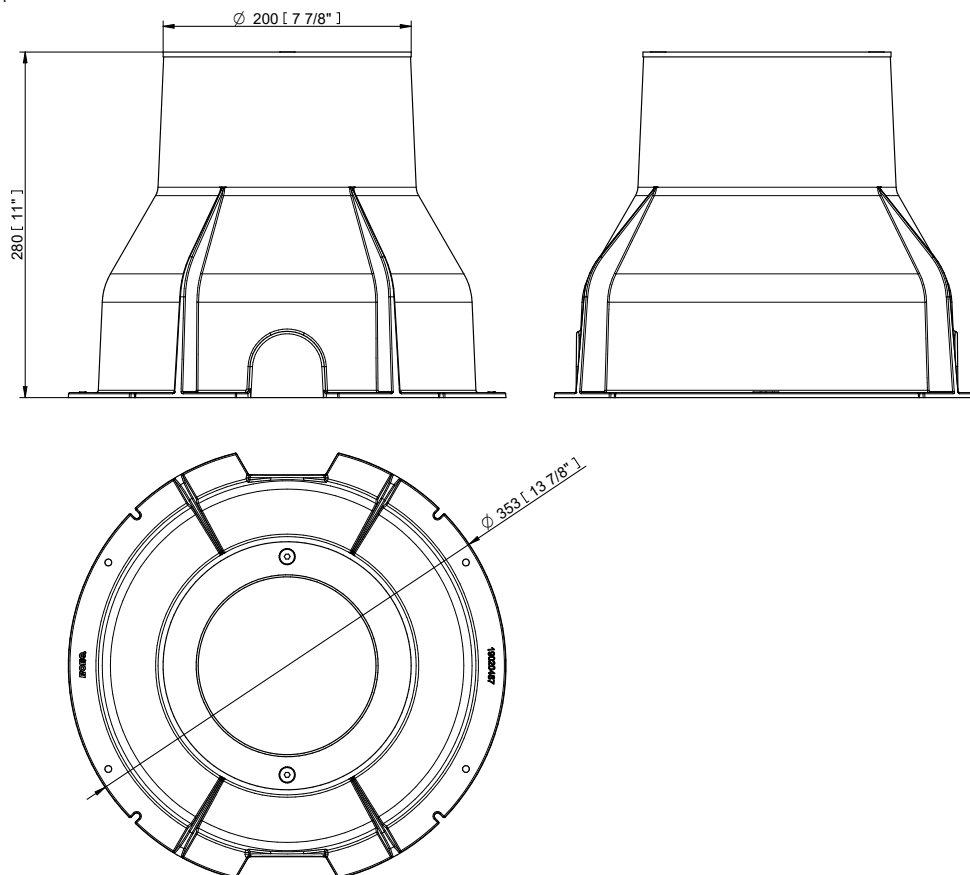


with Square beveled Trim



**DIMENSIONS**

with Round flush Trim



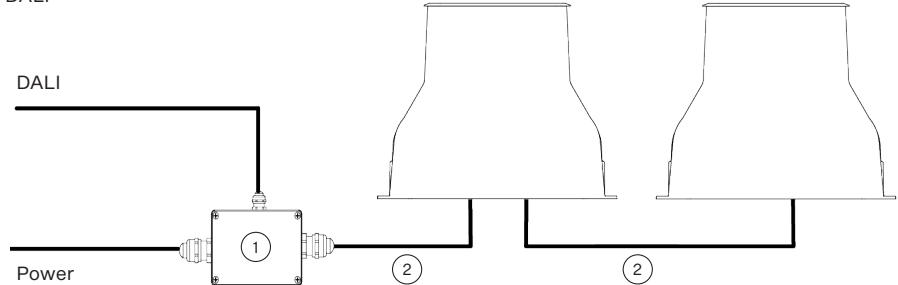
CONTROL AND CONNECTION OPTIONS - CE

DALI

Example of ordering code: Lyrae S SC RGBCW 15° DALI

- 1) Junction Box
- 2) Hybrid Cable (1305 3693)  
or  
Scope of Others

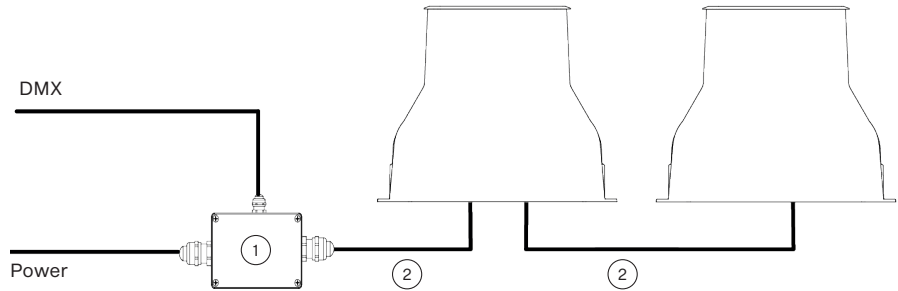
**Note: All Anolis cables must be in placed in protective conduit – not suitable for direct burial.**



DMX

- 1) Junction Box
- 2) Cable (1305 1508)

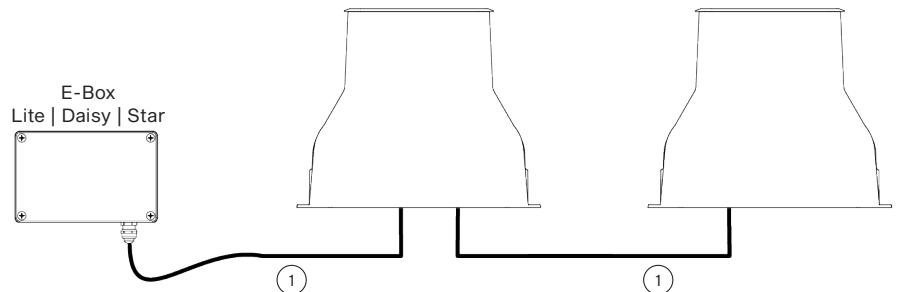
**Note: All Anolis cables must be in placed in protective conduit – not suitable for direct burial.**



DMX or ETHERNET via E-BOX

- 1) Cable CE WCA (1305 3138)

**Note: All Anolis cables must be in placed in protective conduit – not suitable for direct burial.**



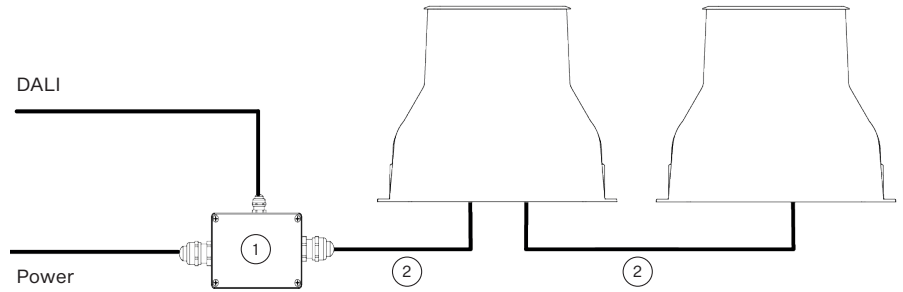
CONTROL AND CONNECTION OPTIONS - US

DALI

Example of ordering code: Lyrae S SC RGCW 15° DALI

- 1) Junction Box
- 2) SJTW 5x 14AWG (1305 3336), black or Scope of Others

**Note: All Anolis cables must be in placed in protective conduit – not suitable for direct burial.**



DMX or ETHERNET via E-BOX

- 1) Cable US WCA (1305 3139)

**Note: All Anolis cables must be in placed in protective conduit – not suitable for direct burial.**

