

LYRAE™ S MC

Difficult inground installations are made easier with the Lyrae S MC. High light output comes from powerful LEDs and it can be used with a variety of optics, from narrow to wide, in addition to a bi-symmetrical option. The light source can be remotely tilted 25° from the horizontal position, always ensuring accurate illumination of the selected surface. Additionally, Lyrae S MC can be equipped with anti-skid glass featuring the highest standards of certification for anti-slip usage having no impact on the fixture's outstanding colour mixing.



KEY FEATURES

Lumen output & Light source

Providing perfectly mixed colour with luminous flux up to 762 lm (@ 12°, RGBW, 6500 K), the 27W Lyrae S luminaire utilises LEDs with 12° optic. Its excellent lumen maintenance of 90,000 hrs (L90B10) provides a dependable and long-term lighting installation.

Physical

Protected underground by high-pressure, die-cast aluminum, the above-ground stainless steel and glass cover provides an elegant and durable lighting solution in all kind of weather. The glass cover can be clear or with anti-skid treatment for inground applications, and its durability is guaranteed by IP68 and IK10 certification.

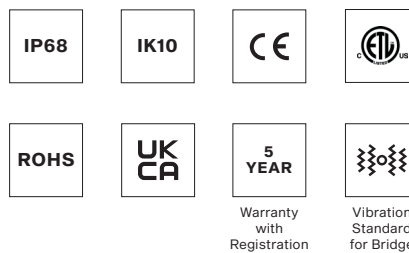
COLOURS



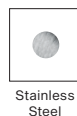
CONTROL & PROTOCOLS



STANDARD & SPECIFICATION

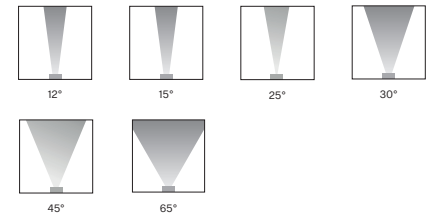


TRIM FINISH OPTIONS

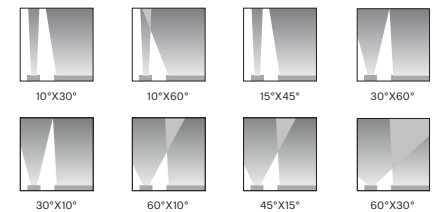


OPTIC OPTIONS

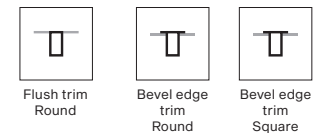
SYMMETRICAL



BI-SYMMETRICAL



TRIM OPTIONS

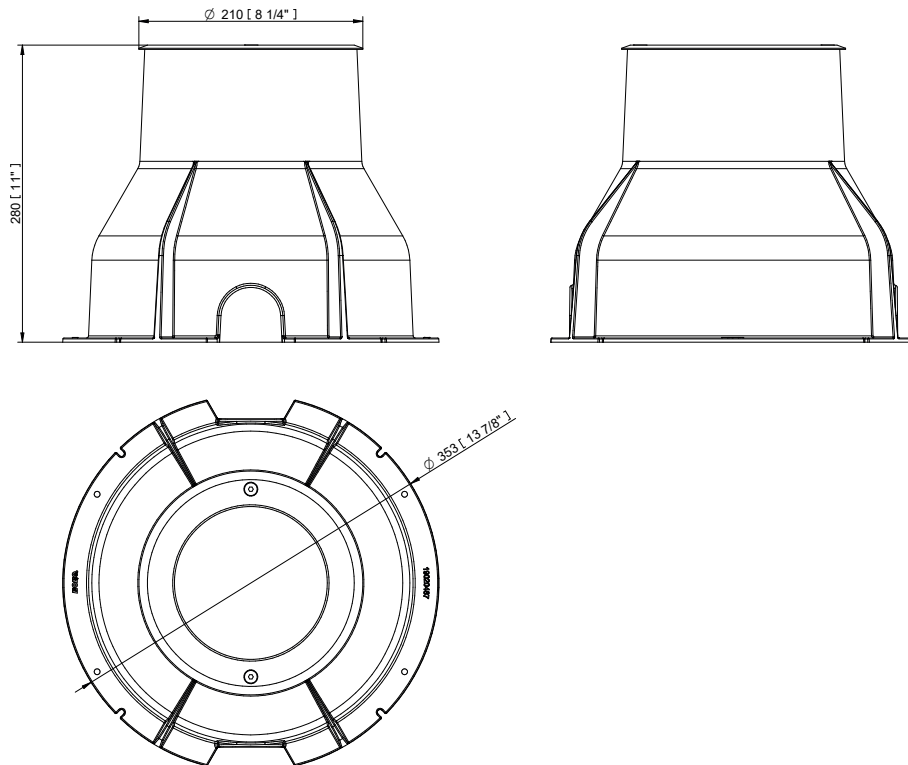


SPECIFICATION

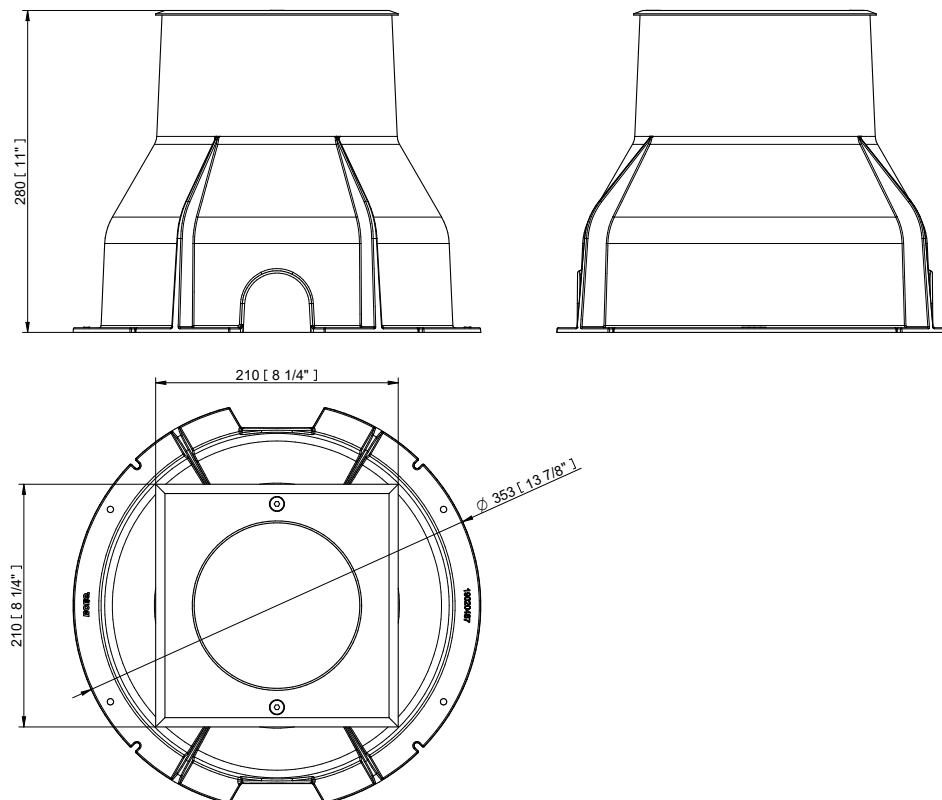
ELECTRICAL	Input Voltage	120 - 277 V AC 50/60 Hz	
	Typical Power Consumption	27 W	
OPTICAL	Light Source	High Power Multi Chip LEDs	
	Colour Variants	RGBW (W - 6500 K) RGBA	
	Beam Angle	Clear Glass	Symmetrical: 12° 15° 25° 30° 45° 65° Bi-symmetrical: 10°x30° 30°x10° 10°x60° 60°x10° 15°x45° 45°x15° 30°x60° 60°x30°
		Anti-Skid Glass	Symmetrical: 18° 22° 35° 50° (preliminary) Bi-symmetrical: 20° x 35° 35° x 20° 20° x 65° 65° x 20° 20° x 50° 20° x 50° 35° x 65° 65° x 35° (preliminary)
	Lumen Output Delivered	762 lm (@12° RGBW, 6500 K)	
	Projected Lumen Maintenance	L90B10 >90.000 hrs, Ta = 25°C / 77°F	
	CONTROL	Interface Protocol	DMX/RDM DTP DALI 2
Operating Modes		DMX, Stand-alone	
Settings / Addressing		RDM	
Power Supply		Integrated	
PHYSICAL	Flange Diameter x Diameter x Height	Bevel Egde Trim: ø 210 x ø 353 x 280 mm (ø 8.3 x ø 14 x 11.1 in.)	
	Weight	3.75 kg 8.16 lbs	
	Housing	High Pressure Die-Cast Aluminium Body Stainless Flange Tempered Glass (Clear or Anti-Skid)	
	Trim Options	Bevel Edge Trim Flush Trim	
	Trim Shape	Round Square	
	Trim Finish Options	Stainless steel	
	Cables / Connections	Integrated Junction Box	
	Mounting Method	External Mounting Sleeve	
	Adjustability	Motorised Tilt 0° - 25° (One Direction Tilt) - Setting-up via NFC (password protected), or DMX	
	Protection Factor	IP68 / Suitable For Wet Locations (8h @ 1m)	
	IK Rating	IK10	
	Static Load Resistance	35 kN (TBC)	
	Cooling System	Convection	
	Operating Ambient Temperature	-20 °C / +40 °C (-4 °F / +104 °F)	
	CERTIFICATION	Listings	ETL / cETL, CE, RoHS, UKCA
ACCESSORIES	Not Included Items		
		Lyrae S Mounting Sleeve	
		Junction Box (CE or US)	
		Trim for Lyrae S (Stainless Steel, Round, Bevel Edge)	
		Trim for Lyrae S (Stainless Steel, Round, Flush)	
		Trim for Lyrae S (Stainless Steel, Square, Bevel Edge)	
		Re-enterable Electrical Insulating Resin	
	Rock Guard		
DEMO SET	Lyrae S Demo Set	Includes: Lyrae fixture, Mounting Sleeve, Trim, Set of Optical Foils (Not suitable for permanent instalations. IP2X.)	

DIMENSIONS

with Round beveled Trim

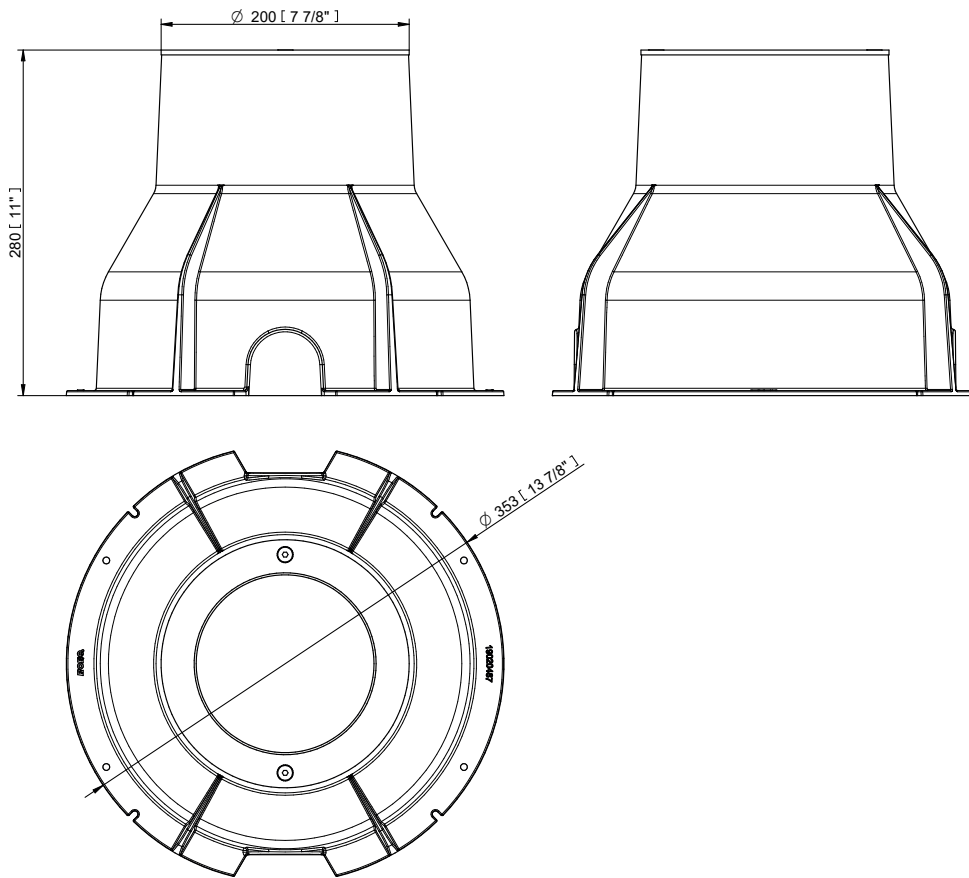


with Square beveled Trim



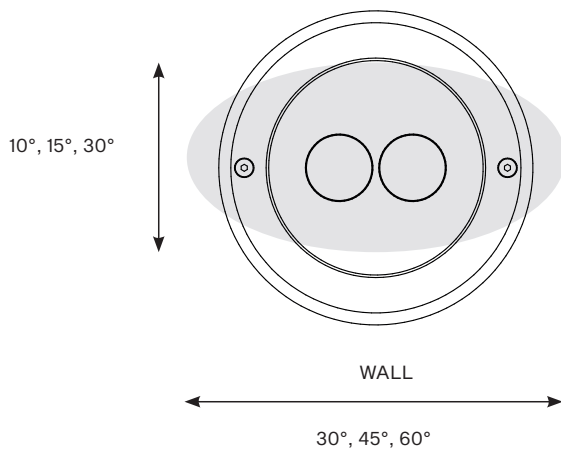
DIMENSIONS

with Round flush Trim

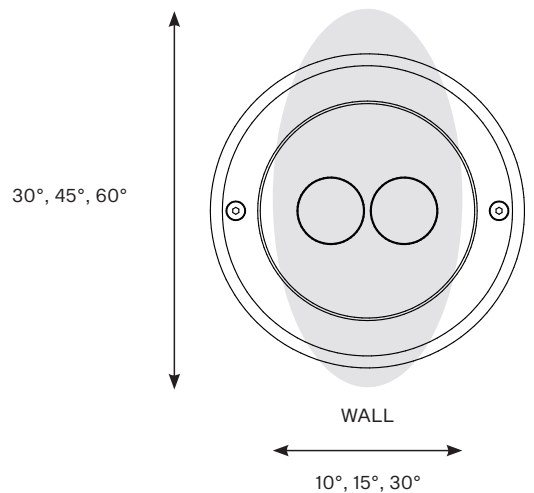


BI-SYMMETRICAL BEAM ANGLES

Bi-symmetrical:
10°x30°,
10°x60°,
15°x45°,
15°x90°,
30°x60°



Bi-symmetrical:
10°x30°,
10°x60°,
15°x45°,
15°x90°,
30°x60°



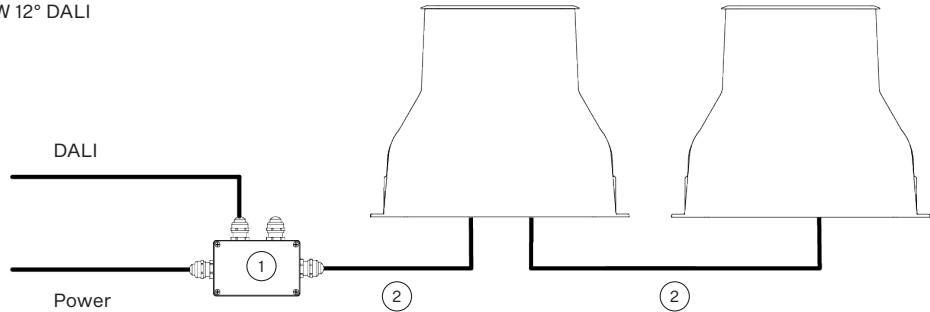
CONTROL AND CONNECTION OPTIONS - CE

DALI

Example of ordering code: Lyrae S MC RGBCW 12° DALI

- 1) Junction Box
- 2) Hybrid Cable (1305 3693)
or
Scope of Others

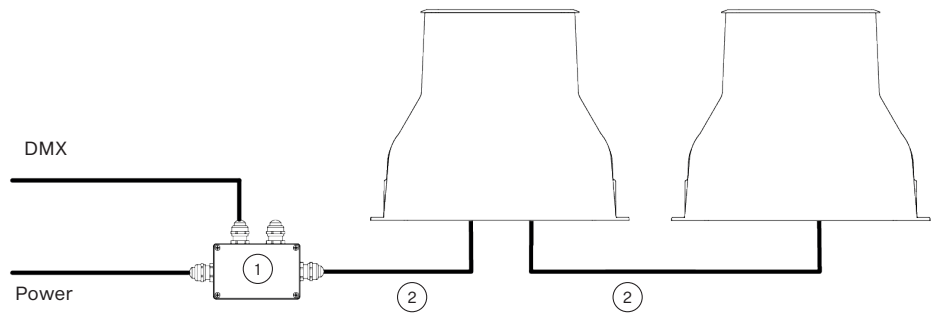
Note: All Anolis cables must be in placed in protective conduit – not suitable for direct burial.



DMX

- 1) Junction Box
- 2) Cable (1305 1508)

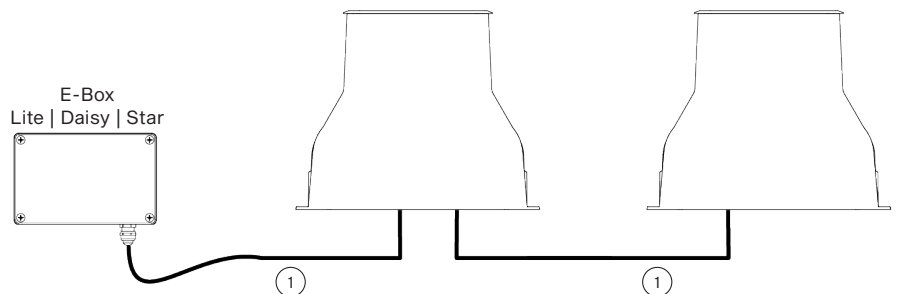
Note: All Anolis cables must be in placed in protective conduit – not suitable for direct burial.



DMX or ETHERNET via E-BOX

- 1) Cable CE WCA (1305 3138)

Note: All Anolis cables must be in placed in protective conduit – not suitable for direct burial.

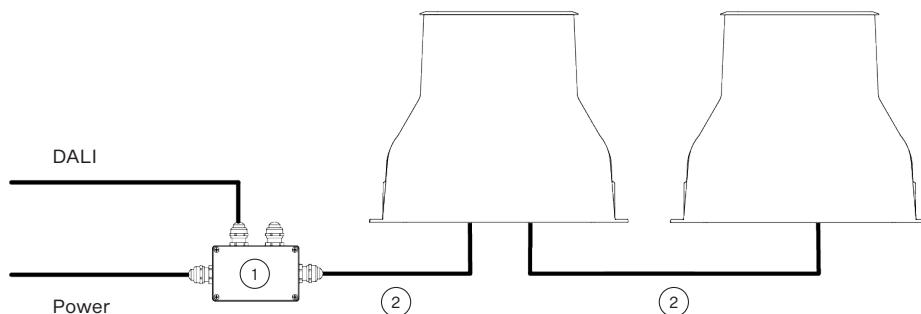


CONTROL AND CONNECTION OPTIONS - US

DALI

Example of ordering code: Lyrae S MC RGBCW 12° DALI

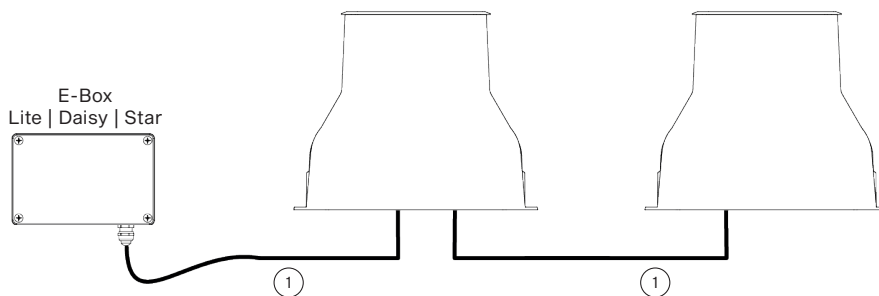
- 1) Junction Box
- 2) SJTW 5x 14AWG (13053336), black
or
Scope of Others



Note: All Anolis cables must be in placed in protective conduit – not suitable for direct burial.

DMX or ETHERNET via E-BOX

- 1) Cable US WCA (1305 3139)



Note: All Anolis cables must be in placed in protective conduit – not suitable for direct burial.