

CALUMMA™ REMOTE M MC

Featuring an optical design using high efficacy multi-chip LEDs and available with optional LED colour variants and various beam angles, the medium-sized Calumma Remote M MC luminaire creates powerful and beautiful light output for a spot, accent or flood lighting solution. Its durable housing is built to withstand any exterior conditions, and its special finish for harsh and marine environments provides an exceptional outdoor LED luminaire in an elegant design. Complemented by wide range of accessories and control protocols via E-Box Remote, this luminaire is an effective and versatile unit to get the most out of architectural lighting applications.



KEY FEATURES

Lumen output & Light source

Luminaire with high-power, multi-chip LEDs provides up to 2316 lumen output. Multiple LED colour variants. No light spills. Perfectly homogenised light output with efficacy up to 35 lm/w.

Design & Durability

Compact, durable and stylish housing made of high-pressure die cast aluminium. IP67 and IK10 certification; suitable for marine applications (Harsh Environment Finish required) and traffic applications. Supported with a 5 year warranty.

Flexibility

Exceptional outdoor or indoor LED luminaire with a wide range of accessories, custom colour finishes, multiple light output variants and beam angles.

Connectivity

Utilising the innovative E-Box Remote series of power and data interfaces, Calumma Remote M MC can communicate via numerous wired, wireless, and Ethernet based control protocols.

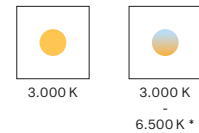
COLOURS

* UPON REQUEST



COLOUR TEMPERATURE

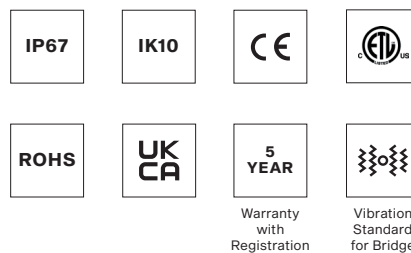
* UPON REQUEST



CONTROL & PROTOCOLS



STANDARD & SPECIFICATION



FINISH OPTIONS

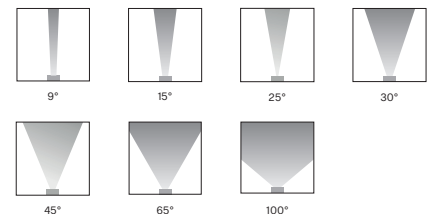
* CLOSEST RAL TONE

* HE = Harsh Environment

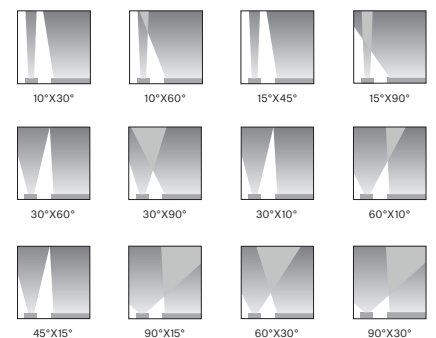


OPTIC OPTIONS

SYMMETRICAL



BI-SYMMETRICAL



SPECIFICATION

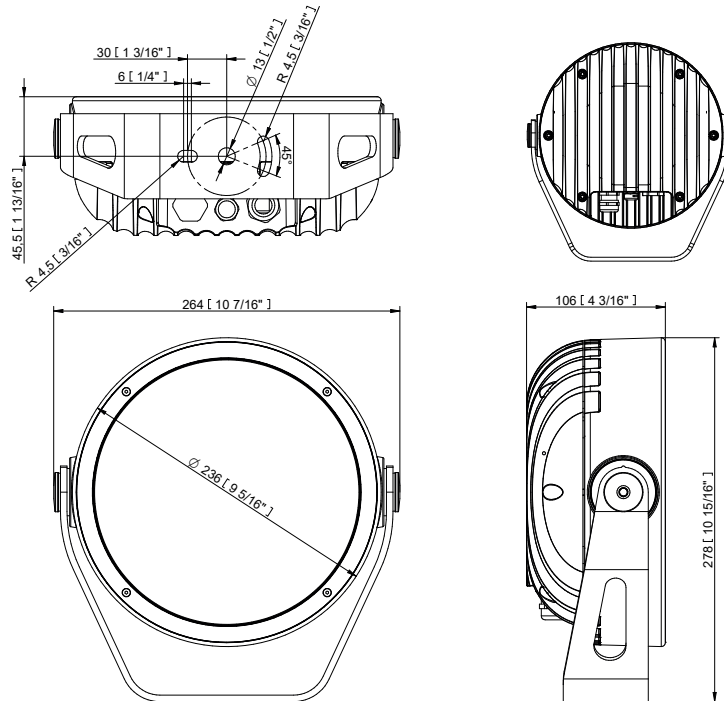
| | | | |
|-------------------------------|-----------------------------------|---|---|
| ELECTRICAL | Input Voltage | 48 V | |
| | Typical Power Consumption | 65 W +/-10 % | |
| OPTICAL | Light Source | High Power Multichip LEDs | |
| | Colour Variants | RGBW (W - 6500 K) RGBA PW (W - 3000 K) Other Variants On Request (TW 3000 - 6500 K) | |
| | Beam Angle | 9° 15° 25° 30° 45° 65° 100° 10°x30° 30°x10° 10°x60° 60°x10° 15°x45° 45°x15° 15°x90° 90°x15° 30°x60° 60°x30° 30°x90° 90°x30° | |
| | Lumen Output Delivered | 2316 lm (@9° RGBW) | |
| | Projected Lumen Maintenance | L90B10 >90.000 hrs, Ta = 25°C / 77°F | |
| CONTROL | Interface Protocol | Via E-box Remote, E-box Remote Basic or E-Box Remote Basic Mini | |
| | E-box control protocol | USITT DMX512+RDM, ArtNet, MA Net, MA Net2, sACN, Kling-Net | |
| | Settings / Addressing | Via Two Row LCD Display with Control Buttons on E-Box Remote or RDM communicator | |
| | Power Supply | Via E-Box Remote range | |
| PHYSICAL | Width x Height x Depth | 264 x 278 x 106 mm (10.4 x 10.94 x 4.17 in.) | |
| | Weight | 5.43 kg 12 lbs | |
| | Housing | High Pressure Die-Cast Aluminium Body Tempered Glass | |
| | Finish Options | Standard Colour | Graphite Black RAL 9011 Grey Aluminium RAL 9007 Pure White RAL 9010 Sandstone RAL 1014 |
| | | Standard Colour Harsh Environment | Graphite Black RAL 9011 Grey Aluminium RAL 9007 Pure White RAL 9010 Sandstone RAL 1014 |
| | | Cost Option | Custom RAL |
| | Cables / Connections | IN: - Cable with bare end (Standard 1m, Longer upon Request) - Cable length - custom - Junction box - optional | |
| | Mounting Method | Yoke or Yoke for Pole Adaptor | |
| | Adjustability | +180° / -180° | |
| | Protection Factor | IP67 / Suitable For Wet Locations | |
| IK Rating | IK10 | | |
| Cooling System | Convection | | |
| Operating Ambient Temperature | -20 °C / +50 °C (-4 °F / +122 °F) | | |
| CERTIFICATION | Listings | ETL / cETL, CE, RoHS, UKCA | |
| ACCESSORIES | Not Included Items | | |
| | | Junction Box Remote (1x or 4x Output) | |
| | | Optical Demo Set for Calumma M (for demo purposes) | |
| | | Outdoor Foil Holder for Calumma M „OFH“ version only (for permanent installation) | |
| | | Optical Foil Set for Outdoor Foil Holder Calumma M | |
| | | Land Spike for Calumma M | |
| | | Top Hat Calumma M | |
| | | Half Top Hat Calumma M | |
| | | Re-enterable Electrical Insulating Resin | |
| | | Floor Stand for Calumma S, M | |
| | | Tenon Adaptor | |
| | | Pole Adaptor (ø 102mm) (Yoke for Pole Adaptor Required) | |

PROJECTED AREA

| | Front (rear) - m ² | Front (rear) ft ² | Side - m ² | Side - ft ² | Top - m ² | Top - ft ² |
|--------------------------|-------------------------------|------------------------------|-----------------------|------------------------|----------------------|-----------------------|
| Calumma Remote M | 0,047 | 0,500 | 0,026 | 0,280 | 0,024 | 0,258 |
| with Top Hat | 0,047 | 0,500 | 0,054 | 0,581 | 0,052 | 0,559 |
| with Half Top Hat | 0,047 | 0,500 | 0,037 | 0,398 | 0,052 | 0,559 |

DIMENSIONS

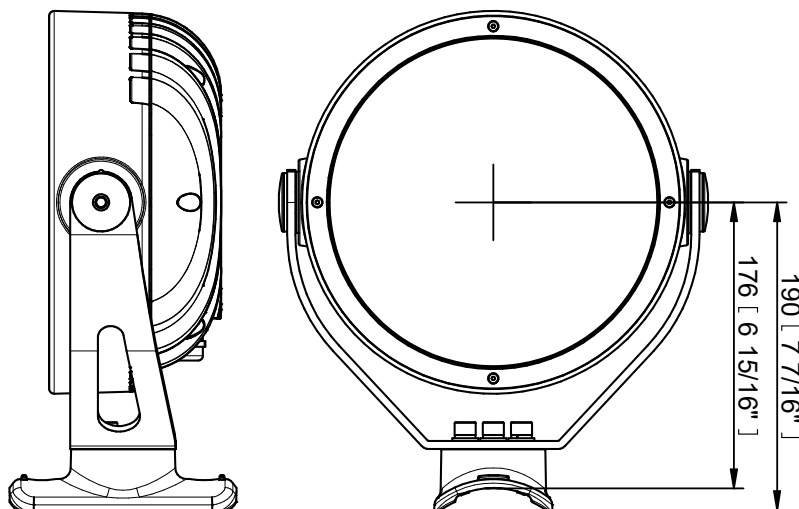
Standard Yoke



ACCESSORIES

Yoke for Pole Adaptor (with Pole Adaptor / PA)

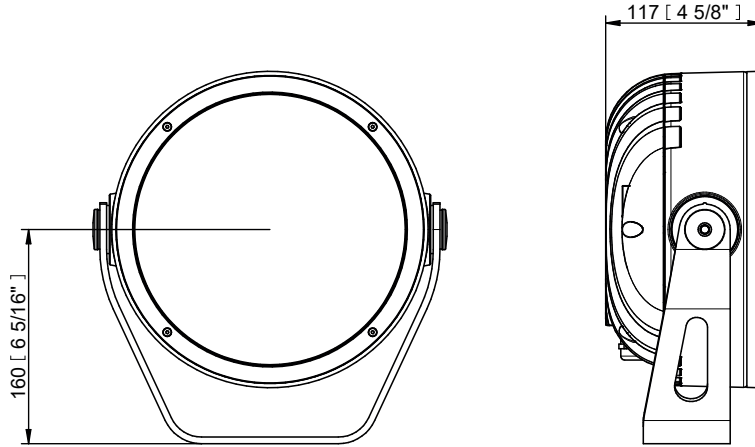
Example of ordering code: Calumma Remote M MC RGBCW 15° PA



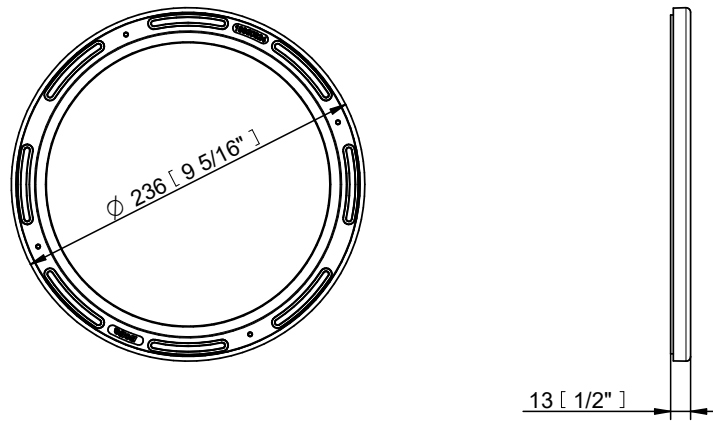
SPECIFICATION SHEET CALUMMA REMOTE M MC

Outdoor Foil Holder for Calumma M „OFH“ version only (for permanent installation)

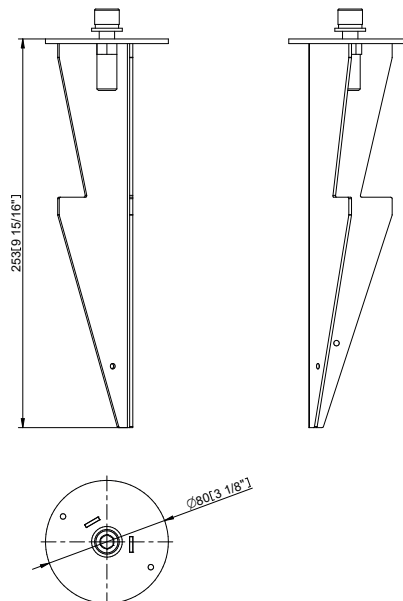
Example of ordering code: Calumma Remote M MC CE RGCBCW 9° RAL9007 OFH



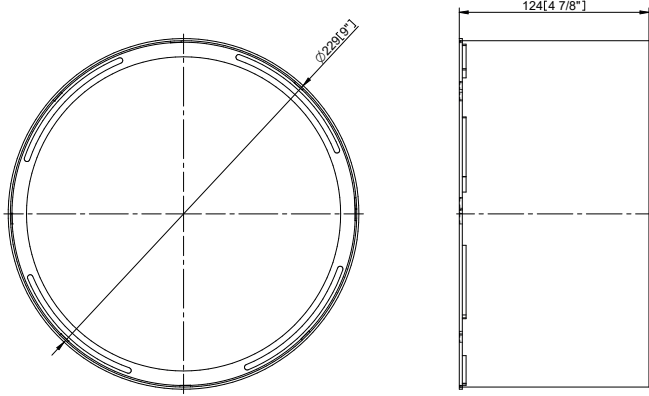
Outdoor Foil Holder for Calumma M



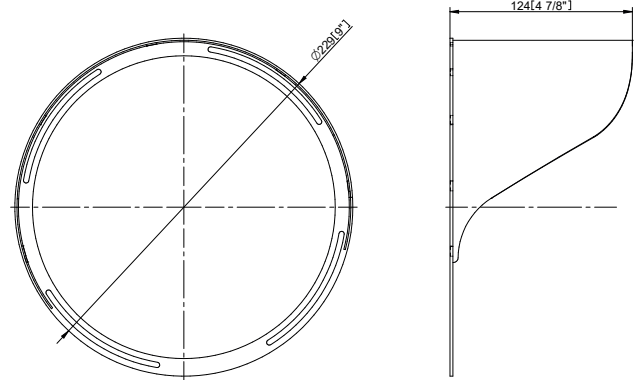
Land Spike for Calumma (S, M, L, XL)



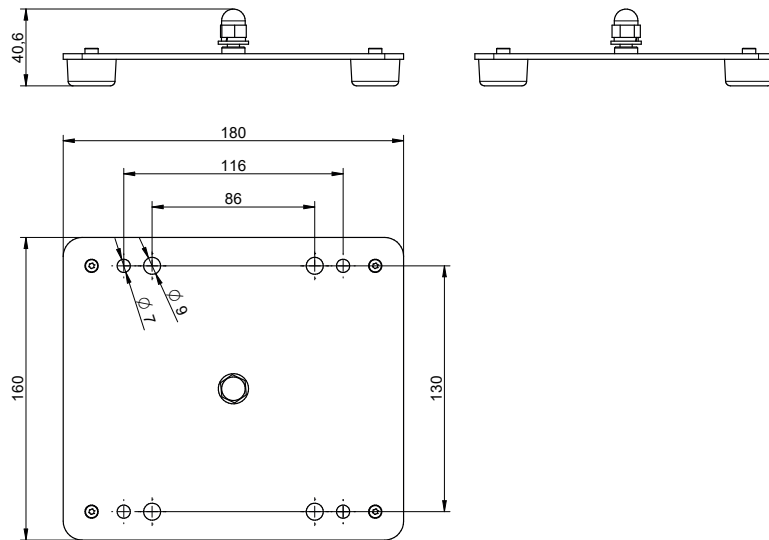
Top Hat



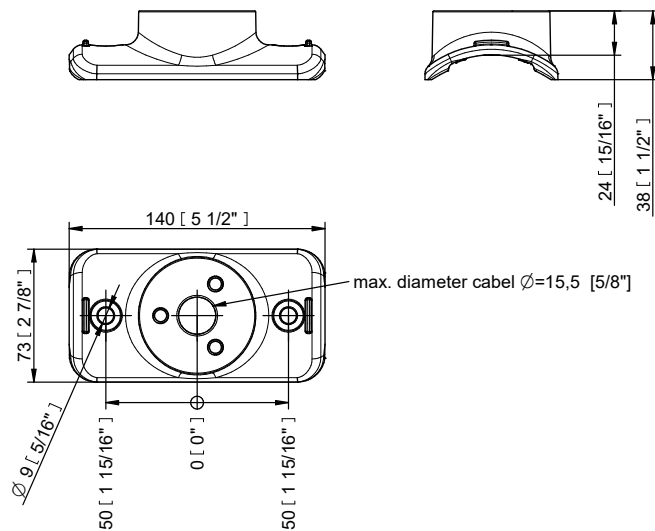
Half Top Hat



Floor Stand



Pole Adaptor



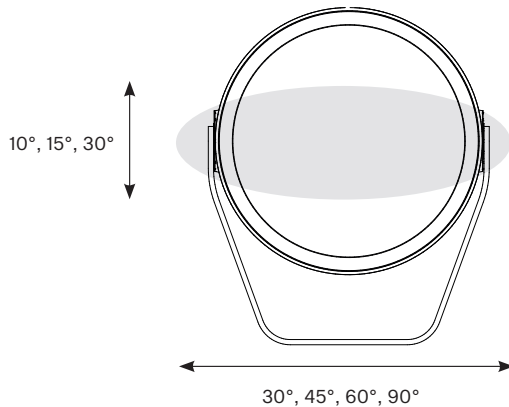
PHOTOMETRIC OVERVIEW

| | Lumen Output (lm) | | |
|----------------------|-------------------|------|---------------|
| | RGBCW (W 6500 K) | RGBA | WW (W 3000 K) |
| 9° | 2316 | 1986 | 1975 |
| 15° | 1792 | 1537 | 1528 |
| 25° | 1779 | 1526 | 1517 |
| 30° | 1752 | 1502 | 1494 |
| 45° | 1775 | 1522 | 1513 |
| 65° | 1776 | 1523 | 1514 |
| 100° | 1757 | 1507 | 1498 |
| 10° x 30°, 30° x 10° | 1681 | 1442 | 1433 |
| 10° x 60°, 60° x 10° | 1867 | 1601 | 1592 |
| 15° x 45°, 45° x 15° | 1902 | 1631 | 1622 |
| 30° x 60°, 60° x 30° | 1766 | 1514 | 1506 |
| 30° x 90°, 90° x 30° | 1905 | 1634 | 1624 |
| 15° x 90°, 90° x 15° | 2109 | 1809 | 1795 |

BI-SYMMETRICAL BEAM ANGLES

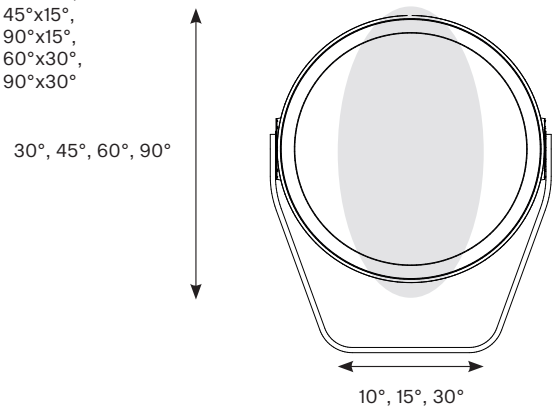
Bi-symmetrical:

- 10°x30°,
- 10°x60°,
- 15°x45°,
- 15°x90°,
- 30°x60°,
- 30°x90°



Bi-symmetrical:

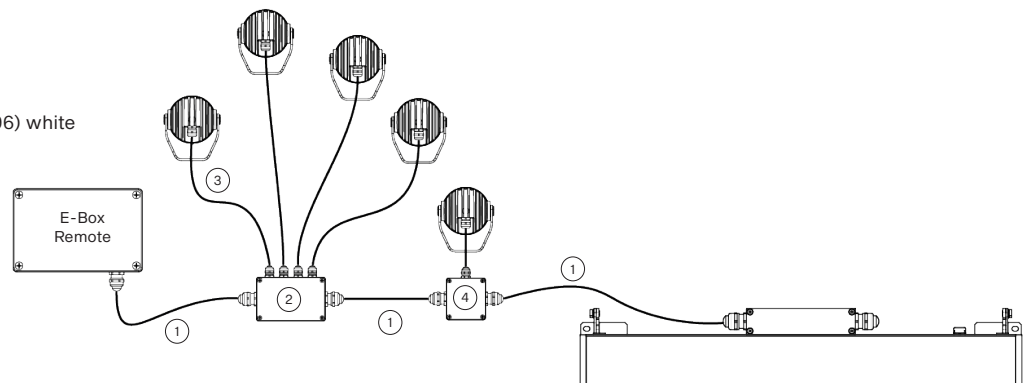
- 30°x10°,
- 60°x10°,
- 45°x15°,
- 90°x15°,
- 60°x30°,
- 90°x30°



CONTROL AND CONNECTION OPTIONS

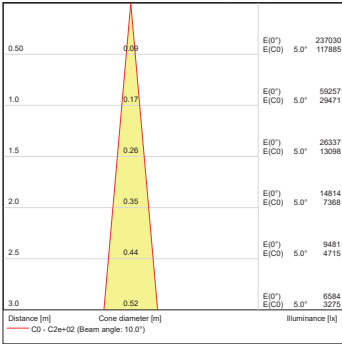
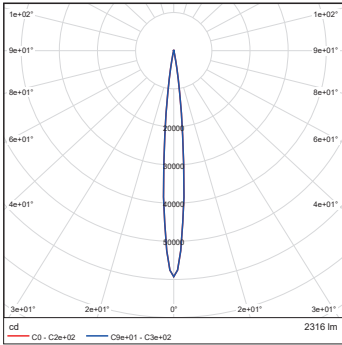
Via E-Box REMOTE

- 1) SJTW 5x 14AWG (1305 3336), black
or
On request: Cable SJTW 5x 14AWG (13053697), white
- 2) Junction Box Remote, (4x Output)
- 3) UL 20969 5x 20AWG (13053481), black
or
On request: Cable SJTW 5x 20AWG (13053696) white
- 4) Junction Box Remote, (1x Output)

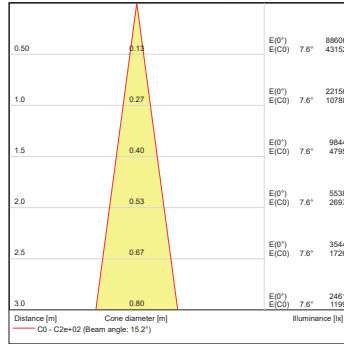
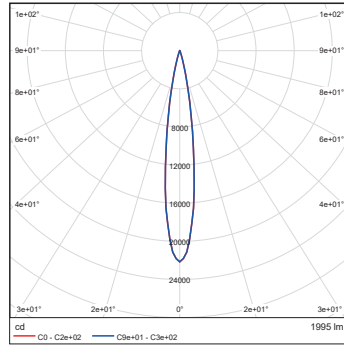


PHOTOMETRIC DATA

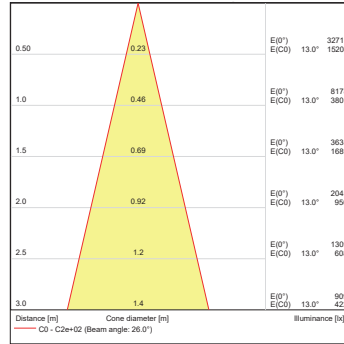
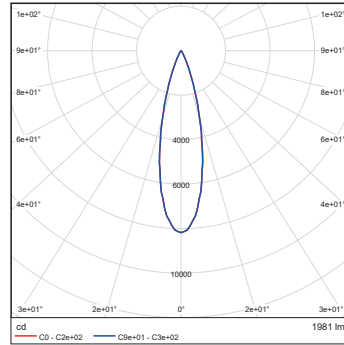
Calumma M MC RGBW 6500K 10dg



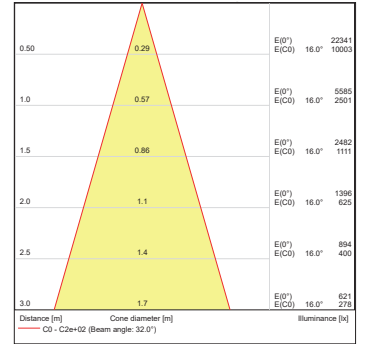
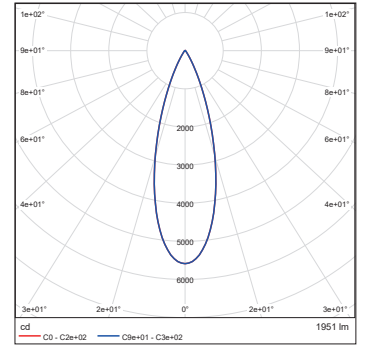
Calumma M MC RGBW 6500K 15dg



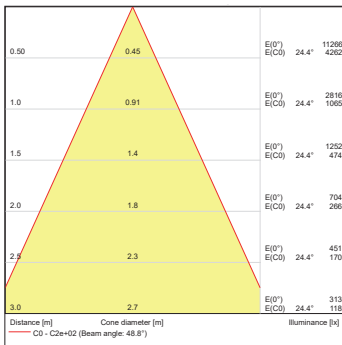
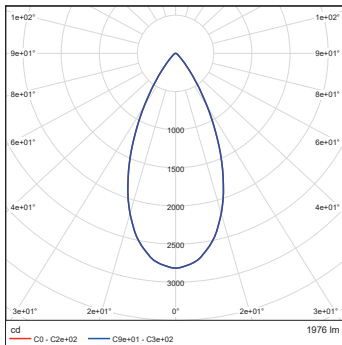
Calumma M MC RGBW 6500K 25dg



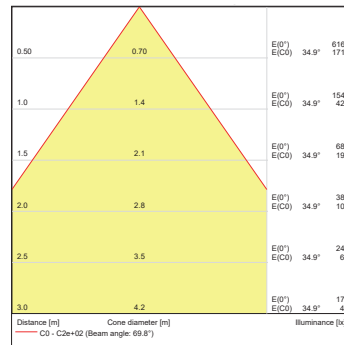
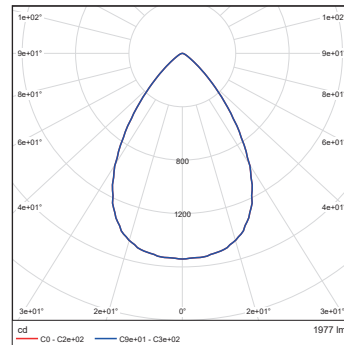
Calumma M MC RGBW 6500K 30dg



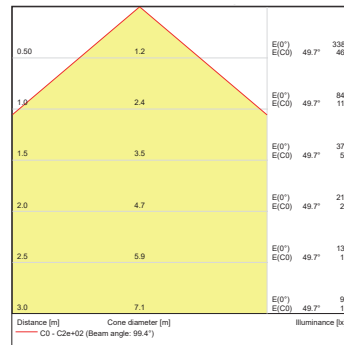
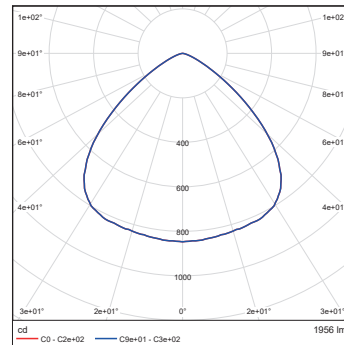
Calumma M MC RGBW 6500K 45dg



Calumma M MC RGBW 6500K 65dg

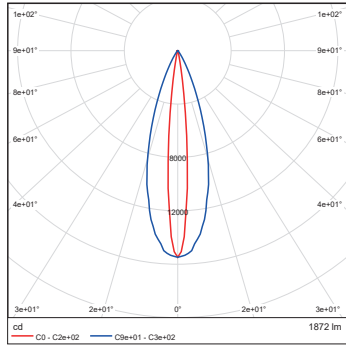


Calumma M MC RGBW 6500K 100dg

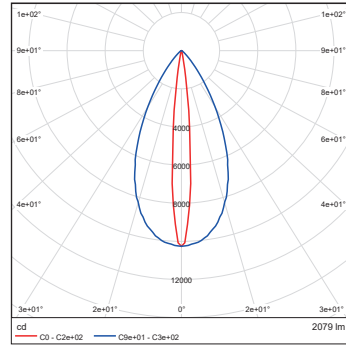


PHOTOMETRIC DATA

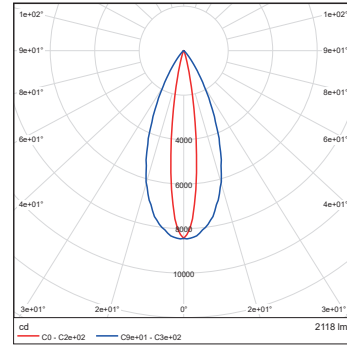
Calumma M MC RGBW 6500K
10x30dg



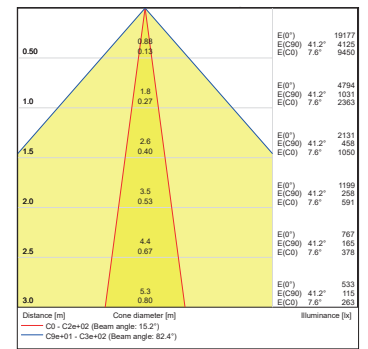
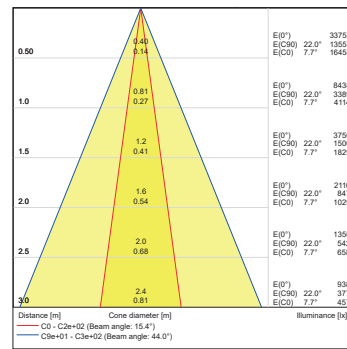
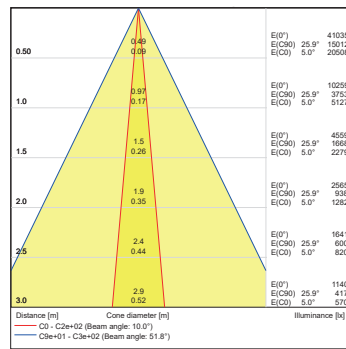
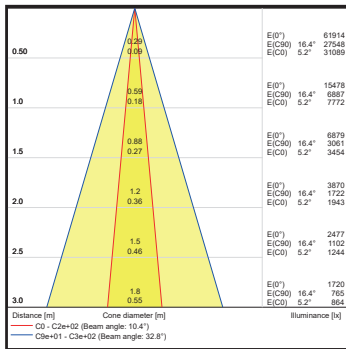
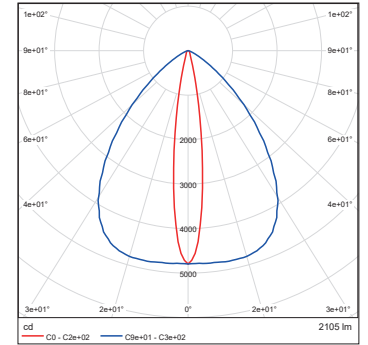
Calumma M MC RGBW 6500K
10x60dg



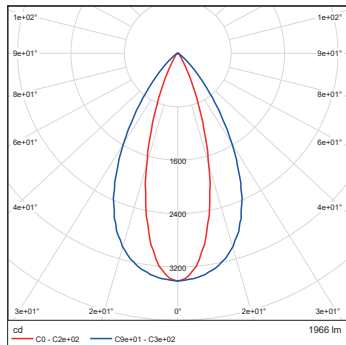
Calumma M MC RGBW 6500K
15x45dg



Calumma M MC RGBW 6500K
15x90dg



Calumma M MC RGBW 6500K
30x60dg



Calumma M MC RGBW 6500K
30x90dg

