

AMBIANE® SP16 SURFACE MOUNT TILTABLE

The smallest luminaire of Ambiane range offers efficient, powerful and high-quality solution for lower ceiling recessed applications. Highly efficient LED module with CRI 90+, no UV or IR emissions, CCT and green correction settings is perfect for museums, art galleries, theaters, concert halls and other most demanding installations. Sharing the same LED chip-set with other Ambiane fixtures it complements the range and gives lighting designers even more options for various interior lighting installations. Tilt 0 - 90°.



KEY FEATURES

Lumen output & Light source

Available in wide range of colour configurations (RGBW, PW, TW, TD), the Ambiane SP16 Surface Mount utilises highly efficient LED modules with CRI 90+. The fixture offers two different beam spreads of 30° and 60°.

Control

Using DALI or USITT DMX512 control protocols, with RDM support, Ambiane SP16 surface Mount can be remotely controlled and managed. Ambiane SP16 Surface Mount also offers intelligent power balancing.

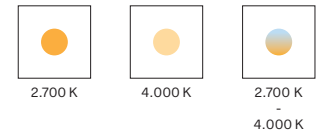
Installation

With compact dimensions, Ambiane SP16 Surface Mount is suitable for lower ceiling applications and to complement our more powerful luminaires of Ambiane range. Ambiane SP16 Surface Mount is convection cooled for silent operation without fans.

COLOURS



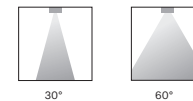
COLOUR TEMPERATURE



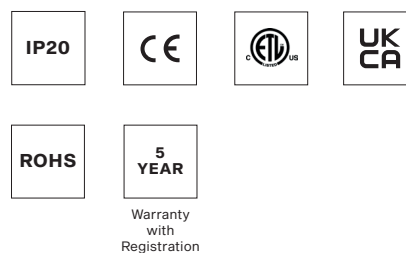
CONTROL & PROTOCOLS



OPTIC OPTIONS

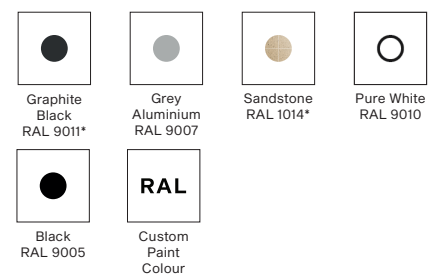


STANDARD & SPECIFICATION



FINISH OPTIONS

* CLOSEST RAL TONE



SPECIFICATION SHEET

AMBIANE® SP16 SURFACE MOUNT TILTABLE

SPECIFICATION

| | | | | | |
|---|--------------------------------------|---|--|---------------|--------------|
| ELECTRICAL | Input Voltage | 48 V DC | | | |
| | Input Voltage range | 44-50 V DC | | | |
| | Max. Power Consumption | 10 W | | | |
| OPTICAL | Light Source | High Power LED module | | | |
| | Colour Variants | RGBW (W 2700 K or 4000 K) | Pure White | Tunable White | Tungsten Dim |
| | Colour Temperature of White | PW 2700 K or 4000 K TW 2700-4000 K TD 3200 K | | | |
| | CRI | 90+ | | | |
| | Beam Angle | 30° 60° | | | |
| | Lumen Output Delivered | 481 lm (RGBW at 30° White LEDs only) | | | |
| | | 518 lm (RGBW at 60° White LEDs only) | | | |
| Projected Lumen Maintenance | L90B10 >90.000 hrs, Ta = 25°C / 77°F | | | | |
| CONTROL | Interface Protocol | USITT DMX512, RDM, DALI 2, 0-10 V | | | |
| | DALI 2 Device Type | DT 8 | | | |
| | Control System | ArcControl Range or any Third Party Controller | | | |
| | DMX Modes | 5 (for RGBW version) | | | |
| | DMX Channels | 4, 3, 12, 3, 6 | | | |
| | Settings / Addressing | DIP Switch, RDM | | | |
| | Power Supply | Ambiane Power AP (up to 4x Ambiane SP16) | | | |
| Ambiane Power Rack (up to 4x Ambiane SP16 per output) | | | | | |
| PHYSICAL | Diameter x Height | Ambiane SP16 Wall Mount - ø90 x 171 mm (ø3.5 x 6.7 in.) | | | |
| | | Ambiane SP16 Ceiling Mount - ø90 x 194 mm (ø3.5 x 7.6 in.) | | | |
| | Weight | 0.49 kg 1.08 lbs | | | |
| | Housing | Die-Cast Aluminium Body Metal cover | | | |
| | Trim Finish Options | Standard Color | Graphite Black RAL 9011 Grey Aluminium RAL 9007 Pure White RAL 9010 Sandstone RAL 1014 Black RAL 9005 | | |
| | | Cost Option | Custom RAL | | |
| | Cables / Connections | Terminal block (Power In, DMX In/Out, DALI In/Out, Secondary Power Input) | | | |
| | Mounting Method | Wall Mount or Ceiling Mounting Clips | | | |
| | Adjustability | 0 - 90° | | | |
| | Protection Factor | IP20 / Dry location only | | | |
| | Cooling System | Convection | | | |
| | Operating Ambient Temperature | -20 °C / +40 °C (-4 °F / +104 °F) (TBC) | | | |
| | Max. Operating Temperature | +75°C (167°F) (TBC) | | | |
| CERTIFICATION | Listings | ETL / cETL, RoHS, CE, UKCA | | | |
| ACCESSORIES | Included Items | | | | |
| | Control Unit for Ambiane SP16 | | | | |
| | Not Included Items | | | | |
| | Ambiane Power Rack (CE/US) | | | | |
| Ambiane Power AP | | | | | |

DIAMETER OF CONDUCTORS

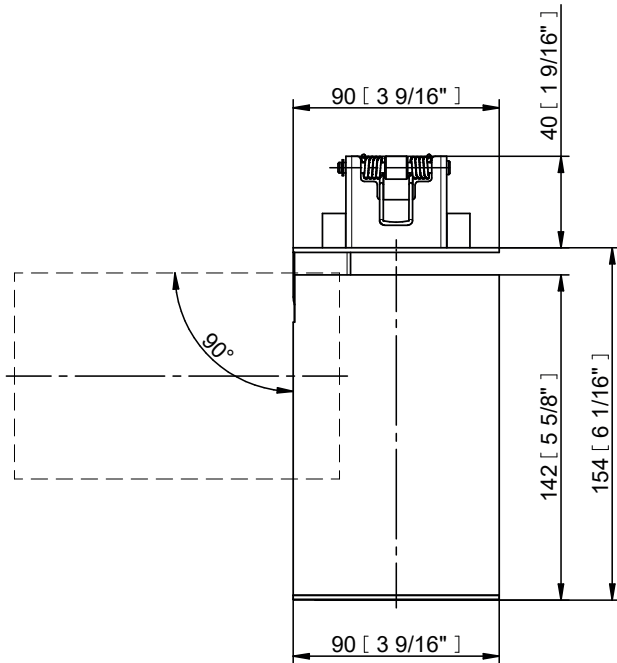
Recommended diameters of conductors with respect to distance between Fixture and Power supply (per 4pcs of Ambiane SP16)

| | |
|-------------------------|-------|
| Distance / Cable length | 100 m |
| Diameters of conductors | 1 mm² |

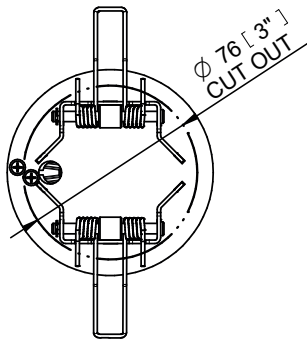
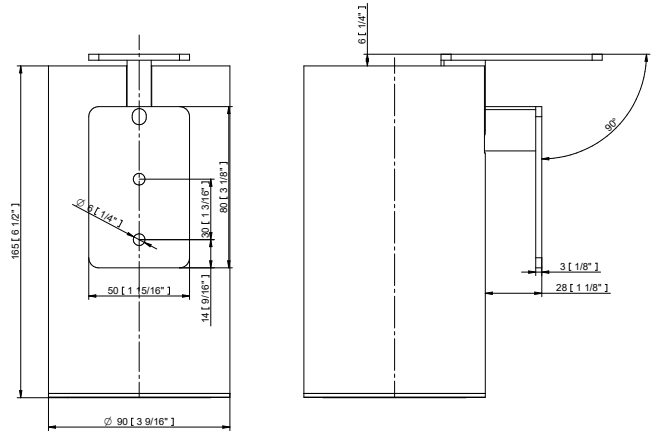
SPECIFICATION SHEET
 AMBIANE® SP16 SURFACE MOUNT TILTABLE

DIMENSIONS

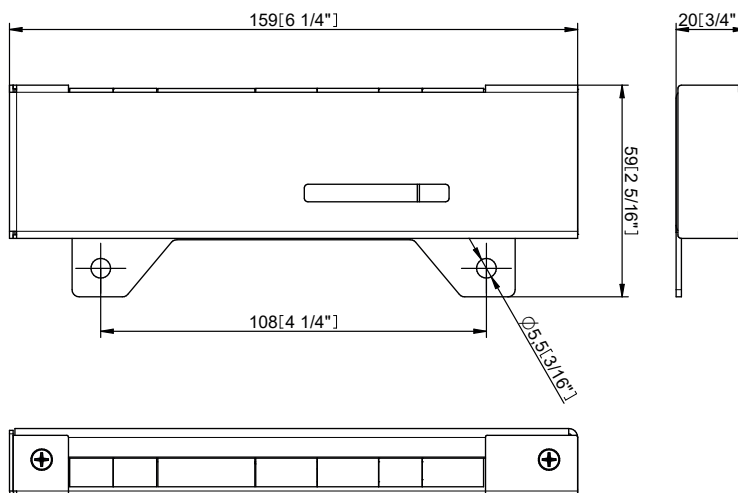
Ceiling Mount



Wall Mount

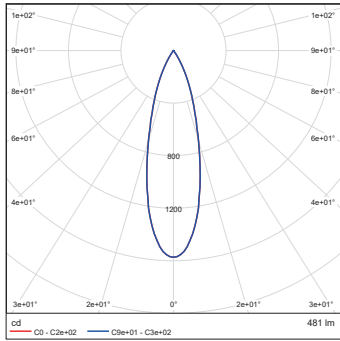


Control Unit dimensions

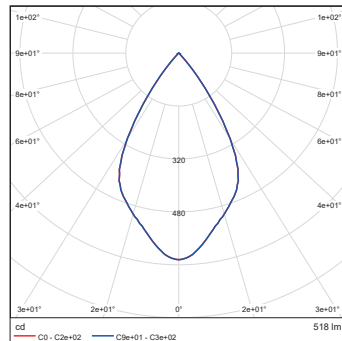


PHOTOMETRIC DATA

Ambiane SP16
 RGBW 30dg White LEDs only



Ambiane SP16
 RGBW 60dg White LEDs



PHOTOMETRIC OVERVIEW

| | Lumen Output (lm) | |
|--|-------------------|-----|
| | 30° | 60° |
| RGBW (4000 K) WHITE LEDs ONLY | 481 | 518 |

