

EMINERE® 1 / 2 / 3 / 4 MC

Eminere was designed by Anolis for a wide range of exterior and interior applications with a variety of lens options that can be used for flood lighting, wall grazing and accent lighting. Equipped with Anolis' colour mixing resolution ensures extra fine colour tuning as well as smooth dimming at low level of intensity. Designed in our state of the art R&D facility by industry experts, Eminere is IP67 rated and can withstand extreme conditions. Eminere is available in 1, 2, 3, and 4 foot sizes (300/600/900/1200 mm) with RGBW, RGBA or PureWhite multi-chips as standard and is easy to control, 1 pixel per foot. Eminere fixtures can be used for both permanent and temporary installations, including various architectural and archtainment applications.



KEY FEATURES

Application Flexibility

Eminere's optics can be used for various applications including wall grazing, flood lighting, wide flood lighting, spot lighting and accent lighting.

Quick and Easy Installation

Plug & Play system means easy installation, fast adjustment and intuitive programming with self-addressing.

Naturally looking result

Full spectrum coverage by using RGBW colour mixing with precise wave lengths of each colour for modern architecture or specifically designed combination of RGBA to highlight every single detail of historical buildings or monuments.

Durability

Eminere is rated IP67, suitable for wet locations and has a protection rating of IK06. Marine grade finish option also available for harsh environmental conditions (on request).

COLOURS

* UPON REQUEST



RGBW



RGBA



Pure White



Tuneable White *

COLOUR TEMPERATURE

* UPON REQUEST



3.000 K



3.000 K - 6.500 K *

CONTROL & PROTOCOLS



OPTIONAL



OPTIONAL

OPTIC OPTIONS

SYMMETRICAL



12°



15°



25°



35°



45°



65°



100°

BI-SYMMETRICAL



10°x30°



10°x60°



15°x45°



15°x90°



35°x60°



30°x90°



30°x10°



60°x10°



45°x15°



90°x15°



60°x35°



90°x30°

STANDARD & SPECIFICATION



IP67



IK06



CE



ETL



ROHS



UKCA



5 YEAR

Warranty with Registration



VIBRATION STANDARD FOR BRIDGE

Vibration Standard for Bridge

FINISH OPTIONS

* CLOSEST RAL TONE

* HE = Harsh Environment



Graphite Black RAL 9011*



Grey Aluminium RAL 9007



Sandstone RAL 1014*



Pure White RAL 9010



HE Graphite Black RAL 9011*



HE Grey Aluminium RAL 9007



HE Sandstone RAL 1014*



HE Pure White RAL 9010

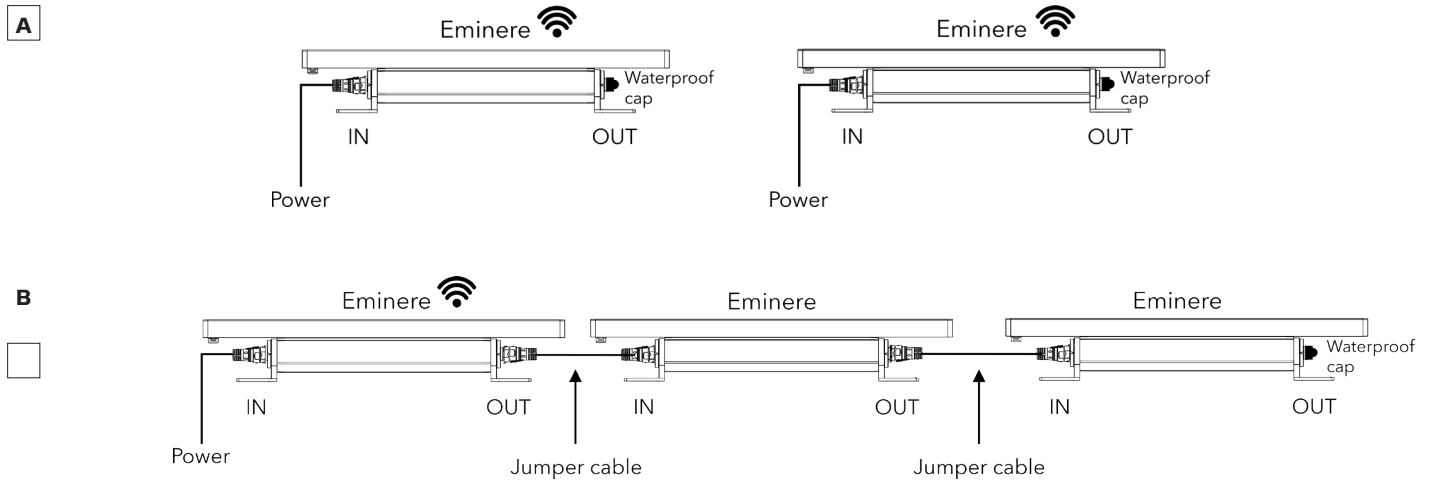


Custom Paint Colour

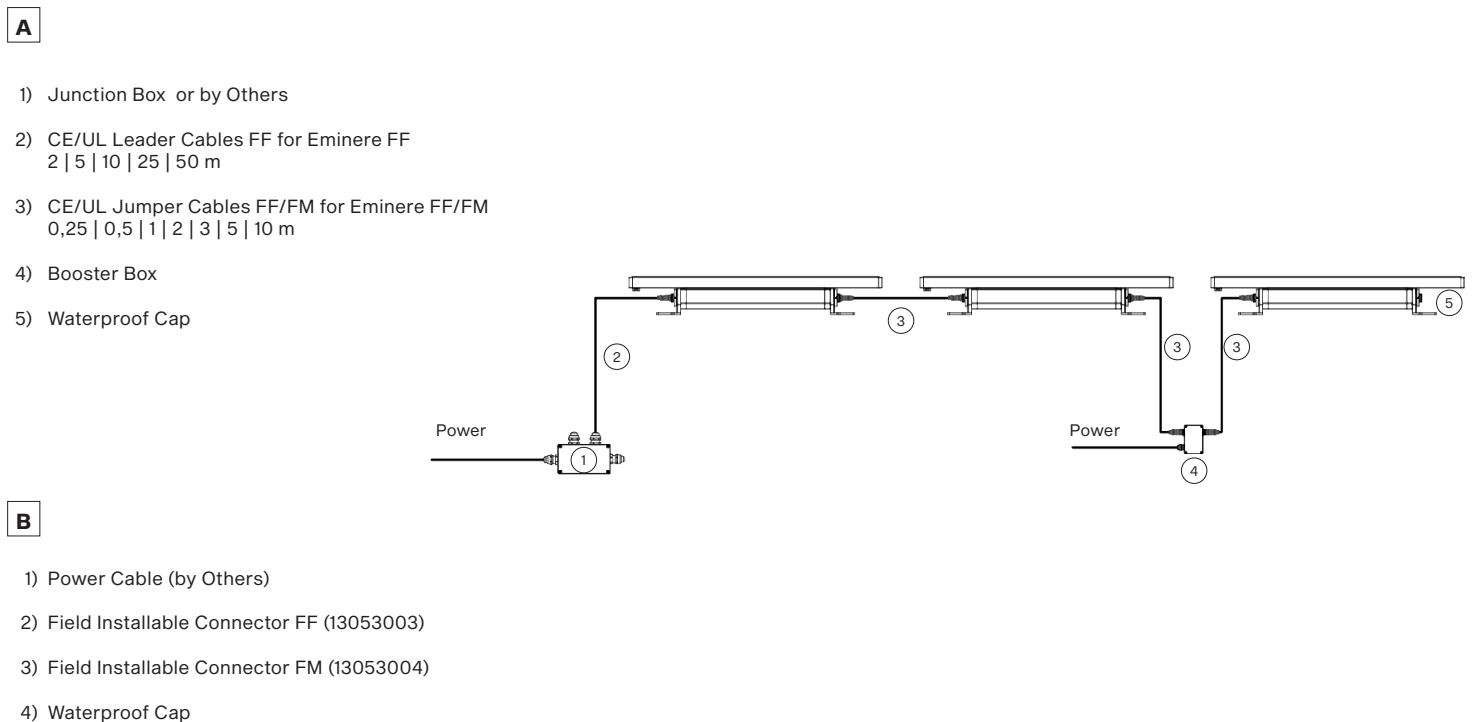
SPECIFICATION

ELECTRICAL	Input Voltage	120 - 277 V AC 50/60 Hz			
	Typical Power Consumption	Eminere MC 1 / 2 / 3 / 4 : 25 W / 45 W / 65 W / 85 W			
OPTICAL	Light Source	Eminere MC 1 / 2 / 3 / 4 : 4, 8, 12, 16 x High Power Multi Chip LEDs			
	Colour Variants	RGBW (W - 6.500 K)	RGBA	PW (W - 3.000 K)	
		Other Variants On Request (TW 3000 - 6500 K)			
	Beam Angle	Symmetrical:	12° 15° 25° 35° 45° 65° 100°		
		Bi-symmetrical:	10°x30° 30°x10° 10°x60° 60°x10° 15°x45° 45°x15° 15°x90° 90°x15° 35°x60° 60°x35° 30°x90° 90°x30°		
Lumen Output Delivered	Eminere MC 1 : 938 lm, (12°, @RGBCW)	Eminere MC 3 : 2814 lm, (12°, @RGBCW)			
	Eminere MC 2 : 1876 lm, (12°, @RGBCW)	Eminere MC 4 : 3752 lm, (12°, @RGBCW)			
Projected Lumen Maintenance	L90B10 >90.000 hrs, Ta = 25°C / 77°F				
CONTROL	Interface Protocol	Via E-Box range or Wireless DMX (excluding Eminere 1 MC)			
	E-Box Control Protocols	USITT DMX512, RDM, ArtNet, MA Net, MA Net2, sACN, Kling-Net			
	Wireless DMX (Option)	Lumen Radio CRMX Technology			
	Setting / Addressing	Via Two Row LCD Display with Control Buttons or RDM communicator			
	Power Supply	Integrated			
PHYSICAL	Width x Height x Length	Eminere MC 1 / 2 / 3 / 4	76 x 120 x 329 / 610 / 914 / 1219 mm 2.99 x 4.72 x 13 / 24 / 36 / 48 in.		
	Weight	2.7 kg 6 lbs	4.2 kg 9.3 lbs	6.22 kg 13.7 lbs	
	Housing	High Pressure Extruded Aluminium Body End Caps - Die-Cast Aluminium Tempered Glass			
	Finish Options	Standard Colour	Graphite Black RAL 9011 Grey Aluminium RAL 9007 Pure White RAL 9010 Sandstone RAL 1014		
		Standard Colour Harsh Environment	Graphite Black RAL 9011 Grey Aluminium RAL 9007 Pure White RAL 9010 Sandstone RAL 1014		
		Cost Option	Custom RAL		
	Cables / Connections	IP67 Hybrid Connection (Power + Data)			
	Mounting Method	Surface Mount With Different Type of Brackets			
	Adjustability	+/- 95°			
	Protection Factor	IP67 / Suitable For Wet Locations			
	IK Rating	IK06			
	Cooling System	Convection			
	Operating Ambient Temperature	-20 °C / +40 °C (-4 °F / +104 °F)			
Operating Temperature	+67 °C @ Ambient +40 °C (+153 °F @ Ambient +104 °F)				
CERTIFICATION	Listings	ETL / cETL, CE, RoHS, UKCA			
ACCESSORIES	Not Included Items				
	Mounting Brackets	Mounting Brackets 50 100 200 300 mm custom length			
		C-Clamp Adaptors for Eminere MC			
	Cable Covers	Cable Cover For Eminere MC 1 2 3 4			
	Shields	Shield (with or without side Covers) For Eminere MC 1 2 3 4			
	Optical Demo Set	Optical Demo Set For Eminere MC 1 2 3 4			
	Cables and Connectors	Field Installable Connector FF	Field Installable Connector FM		
		Cable CE WCA	Cable US WCA		
		Waterproof Cover Cap FM ZAHB-0006			
	Booster Box	CE/UL Leader Cables FF for Eminere FF 2 5 10 25 50 m			
CE/UL Jumper Cables FF/FM for Eminere FF/FM 0,25 0,5 1 2 3 5 10 m					

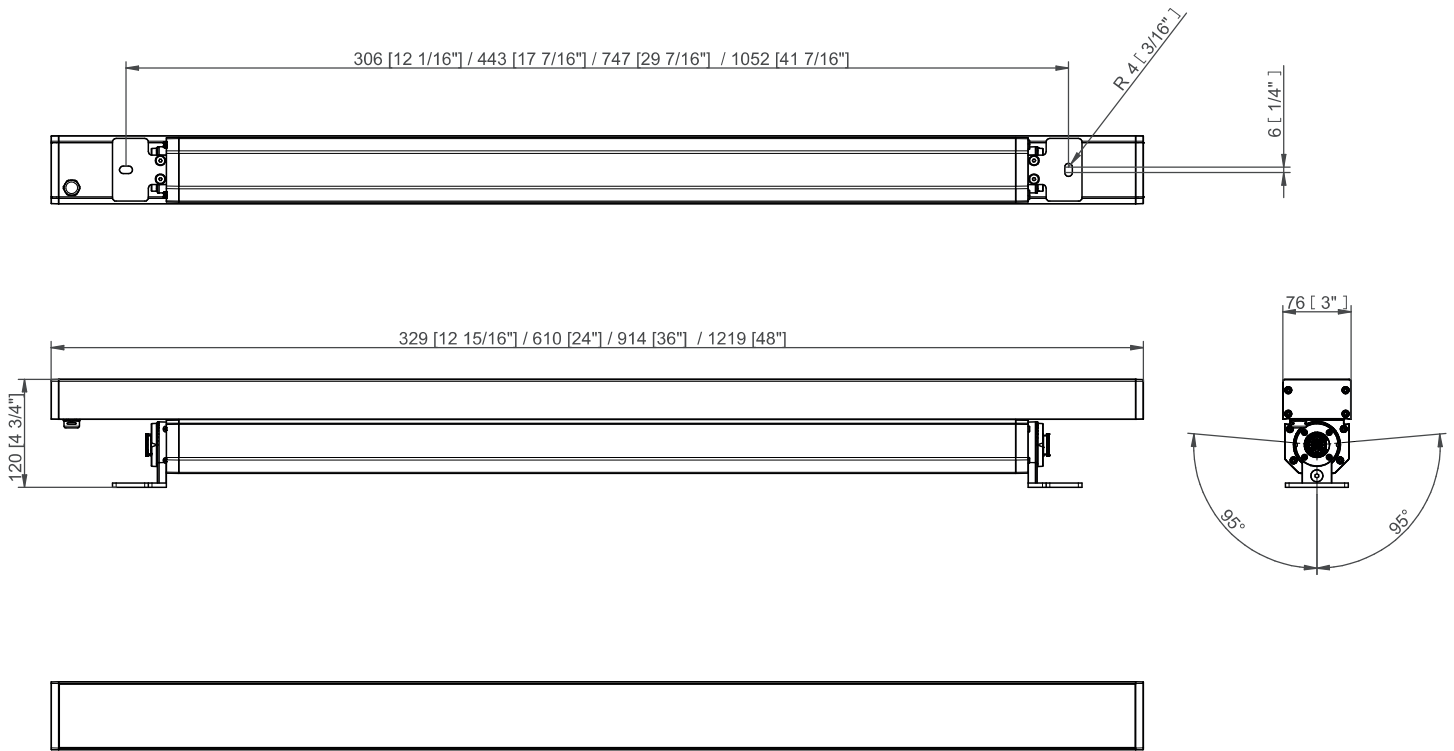
CONNECTION - WIRELESS VERSION



CONNECTION - ON / OFF VERSION

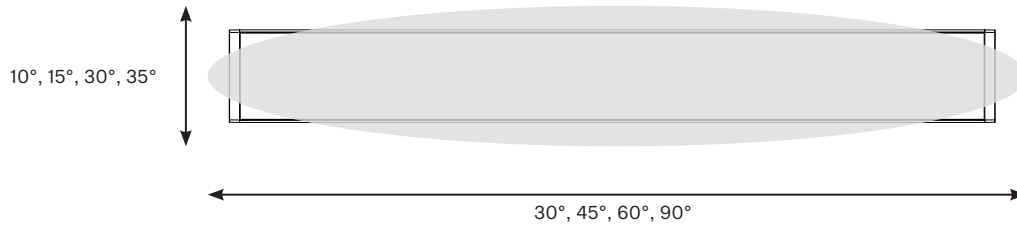


DIMENSIONS

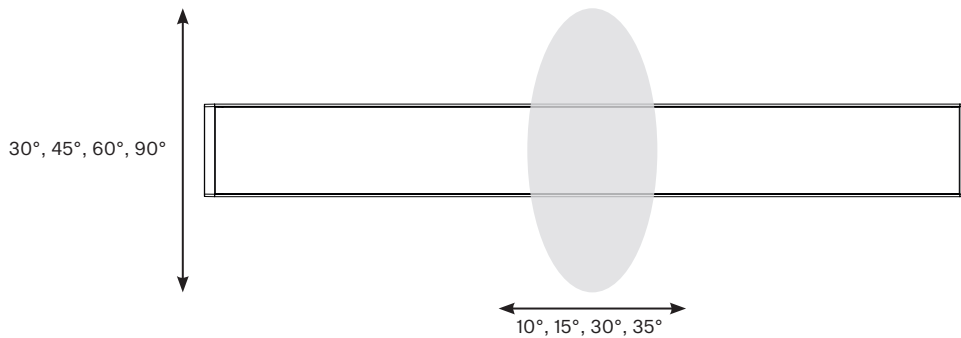


BI-SYMMETRICAL BEAM ANGLES

Bi-symmetrical: 10°x30°, 10°x60°, 15°x45°, 15°x90°, 35°x60°, 30°x90°



Bi-symmetrical: 30°x10°, 60°x10°, 45°x15°, 90°x15°, 60°x30°, 90°x30°



E-BOX SPECIFICATION

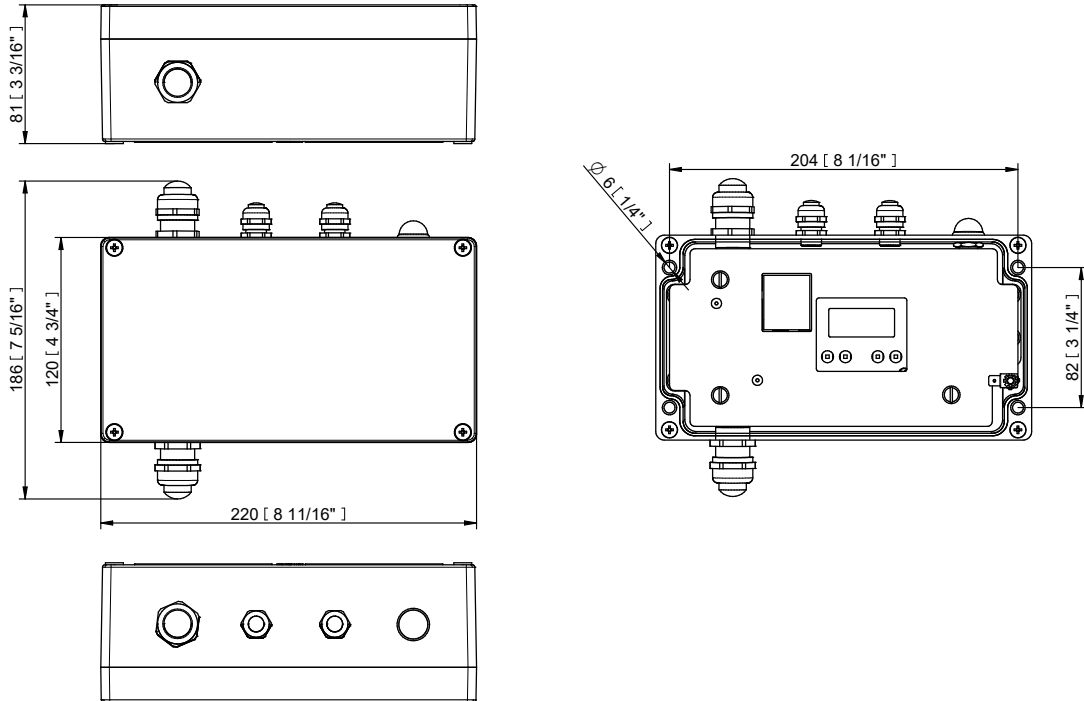
ELECTRICAL	Input Voltage	120 – 277 V AC 50/60 Hz		
	Wireless DMX (Option)	Lumen Radio CRMX Technology		
	Interface Protocol	E-box Lite: USITT DMX512, RDM		
		E-box Daisy / Star: USITT DMX512, RDM, ArtNet, MA Net, MA Net2, sACN, Kling-Net		
Operating Modes	E-box Lite / Daisy: Fixture Mode, Pixel Mode, Output Mode			
	E-Box Star: Total Mode, Fixture Mode, Pixel Mode, Output Mode			
CONTROL	Display	Via Two Row LCD Display with Control Buttons or RDM communicator		
	Control System	E-box With Self Addressing Feature or Custom Setting Via LCD Display/RDM		
	Power Supply	Integrated		
	Connectivity	E-box Lite	127 of Eminere 1 (@ 230 V and 30m cable) via 1 Output	
		E-box Daisy	127 of Eminere 1 (@ 230 V and 30m cable) via 1 Output	
		E-box Star	127 of Eminere 1 (@ 230 V and 30m cable) via 6 Outputs	
	Length x Width x Height	E-box Lite	220 x 120 x 81 mm (8.66 x 4.72 x 3.18 in.)	
		E-box Daisy	260 x 160 x 91 mm (10.24 x 6.30 x 3.58 in.)	
		E-box Star	280 x 230 x 111 mm (11.02 x 9.06 x 4.37 in.)	
	Weight	1.67 kg 3.85 lbs	2.78 kg 6.13 lbs	4.4 kg 9.7 lbs
Housing	Die-Cast Aluminium Case			
Finish Options	Standard Colour - Graphite Black (RAL 9011) Silver (RAL 9006)			
	Cost Option - Custom RAL Harsh Environment (RAL 9016, RAL 9011)			
Cables / Connections	Cable Grommet (stainless steel)			
Mounting Method	Surface Mount , 4 Mounting Holes			
Protection Factor	IP67 / Suitable For Wet Locations			
IK Rating	IK10			
Cooling System	Convection			
Operating Ambient Temperature	-20 °C / +40 °C (-4 °F / +104 °F)			
CERTIFICATION	Listings	ETL / cETL, CE, RoHS, UKCA		

COMPARISON

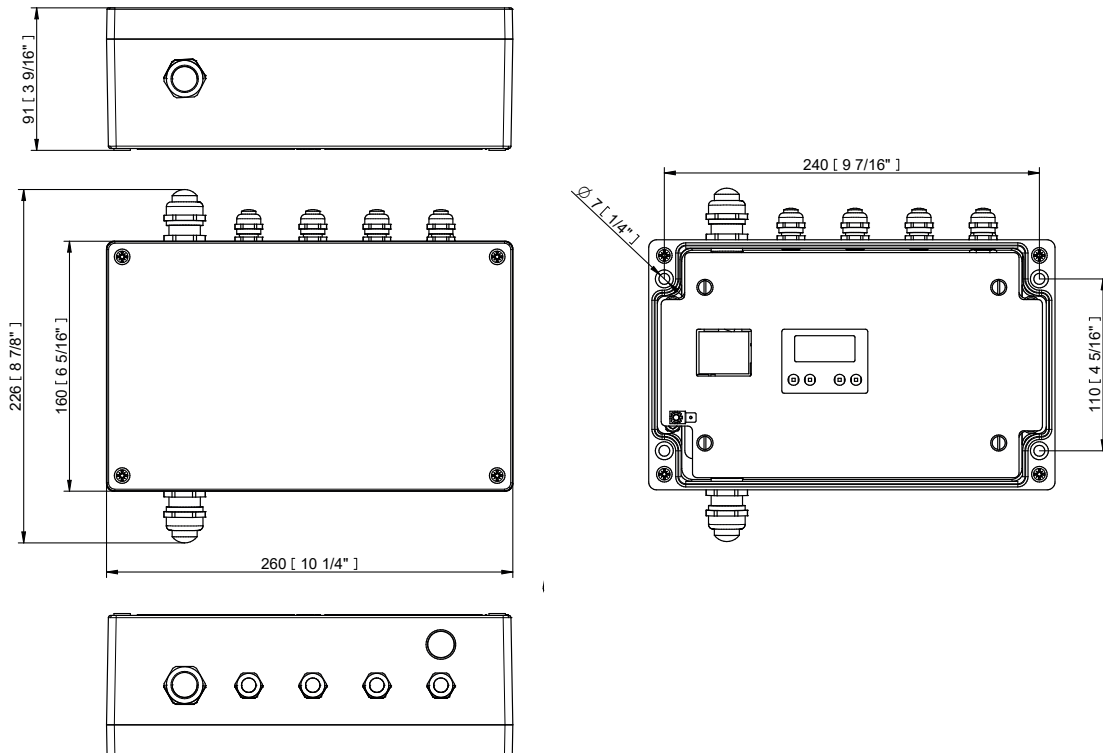
	E-BOX LITE	E-BOX DAISY	E-BOX STAR
Power input	1	1	1
Fixture Output	1	1	6
Total load (current)	16A	16A	16A
DMX control	YES	YES	YES
RDM	YES	YES	YES
Art-Net	NO	YES	YES
Ethernet switch	NO	YES	YES
Kling-Net	NO	YES	YES
sACN	NO	YES	YES
MA Net, MA Net2	NO	YES	YES

E-BOX DIMENSIONS

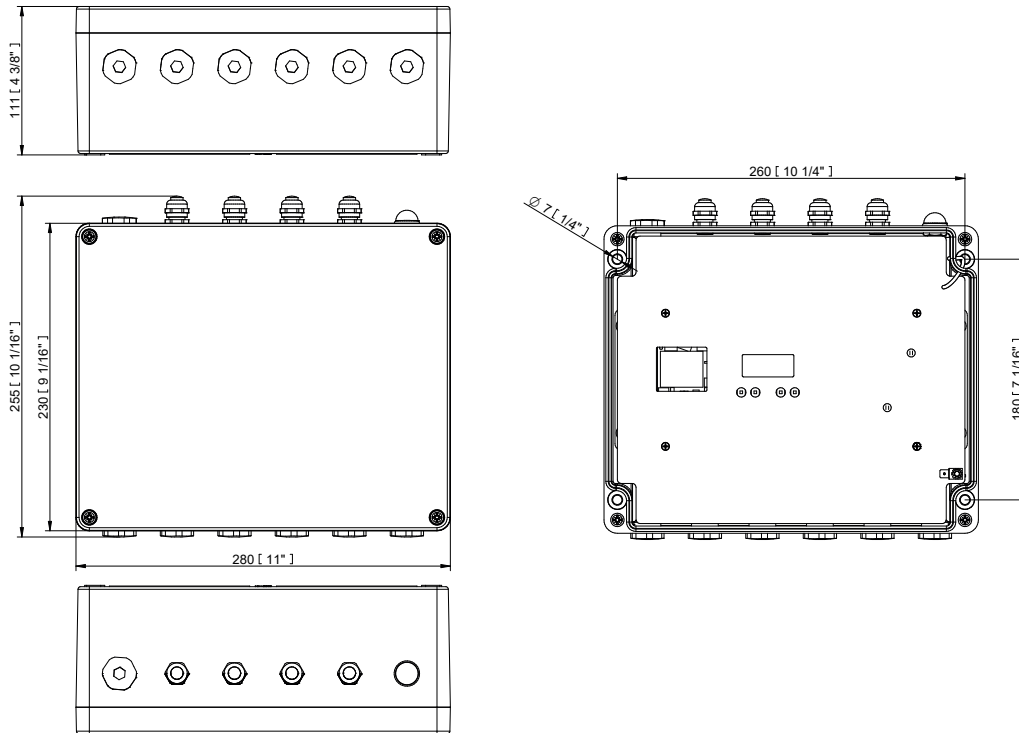
E-BOX LITE



E-BOX DAISY



E-BOX STAR

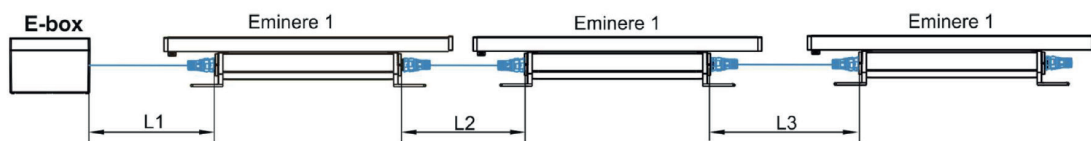


CONNECTIVITY

The tables below state max. theoretical number of Emineres MC connected to the one LED output of the E-box without Booster boxes.

	Cable length (m)	Voltage (V)			
		120	190	230	277
EMINERE MC 1	10	66	104	127	152
	20	66	104	127	152
	30	46	104	127	152
	50	28	70	102	148
	70	20	50	73	106
	100	13	35	51	74
	200	7	17	25	37
EMINERE MC 2	10	36	56	69	83
	20	36	56	69	83
	30	24	56	69	83
	50	15	38	56	80
	70	10	27	40	57
	100	9	18	28	40
	200	3	9	16	20

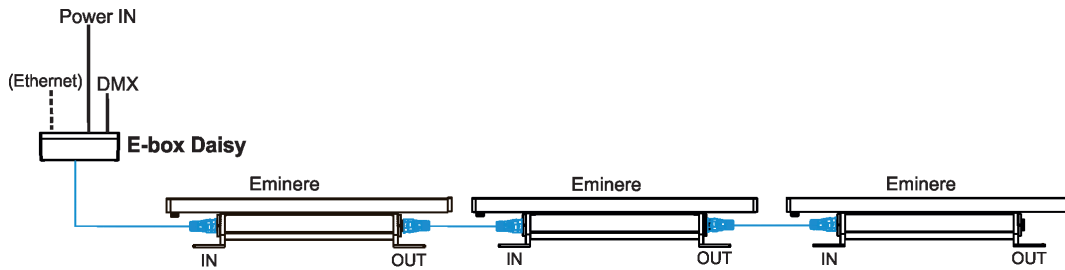
	Cable length (m)	Voltage (V)			
		120	190	230	277
EMINERE MC 3	10	25	40	48	59
	20	25	40	48	59
	30	17	40	48	59
	50	11	26	39	57
	70	7	19	28	40
	100	5	13	19	28
	200	2	6	10	14
EMINERE MC 4	10	19	31	37	45
	20	19	31	37	45
	30	14	31	37	45
	50	8	20	30	44
	70	5	15	21	35
	100	3	10	15	21
	200	1	4	7	11



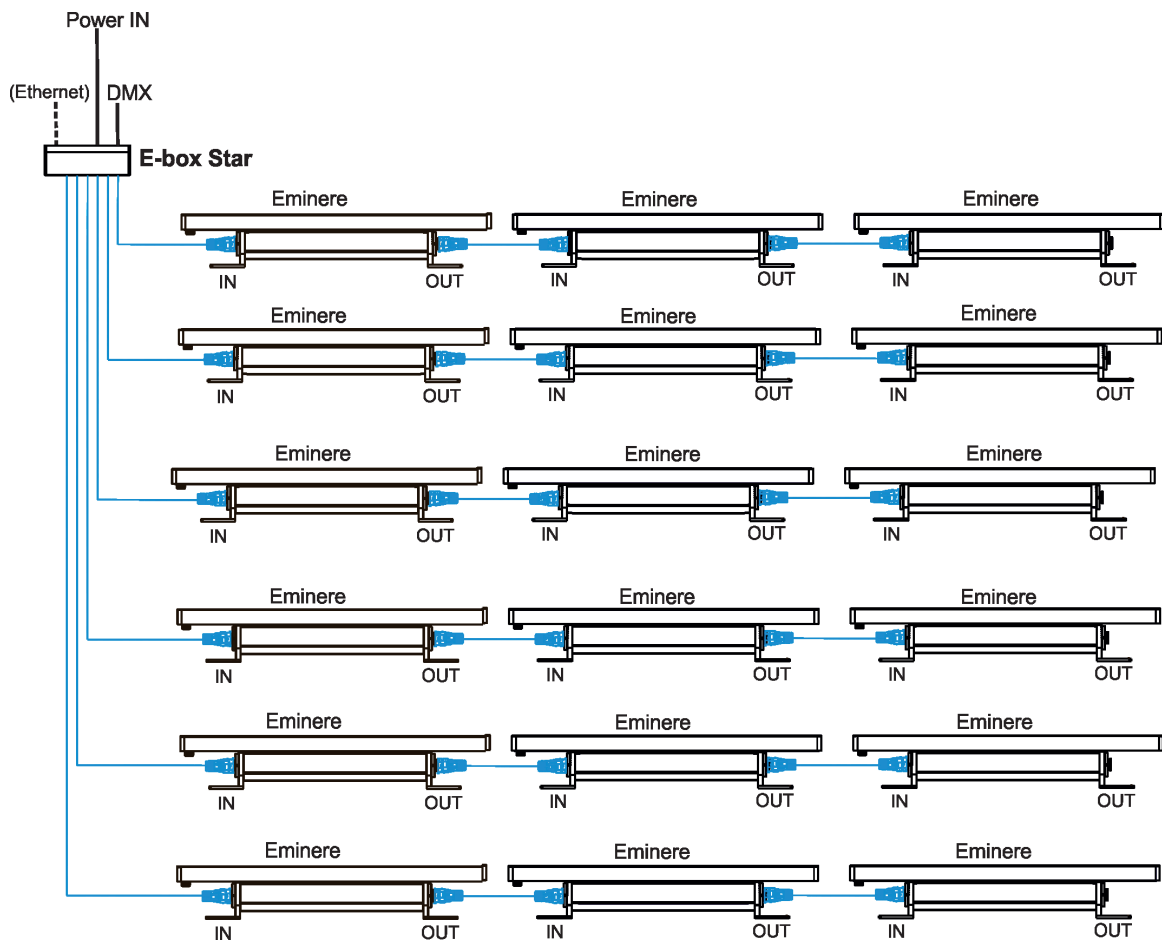
Note: Cable length is a total cable length between E-box and last connected Eminere. Example: Total cable length=L1+L2+L3. For more information see User Manual.

CONNECTION

E-BOX LITE / DAISY

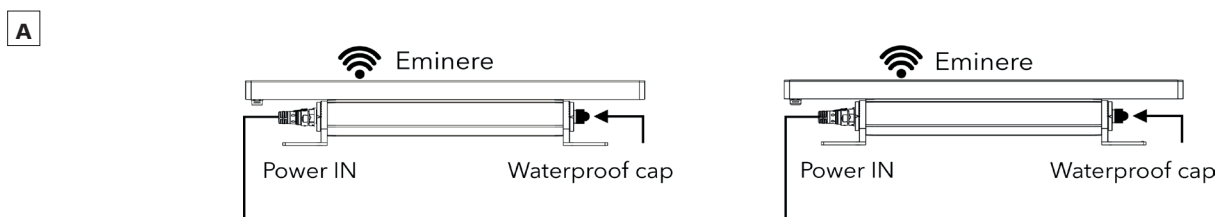


E-BOX STAR

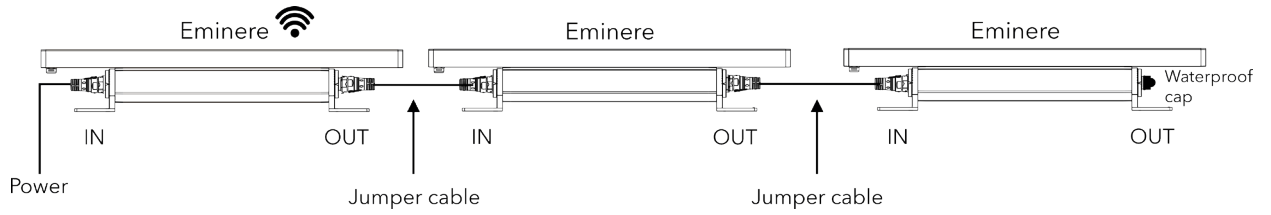


CONNECTION - WIRELESS VERSION

Connection setup, where every Eminere is independently accepting data from WIFI.

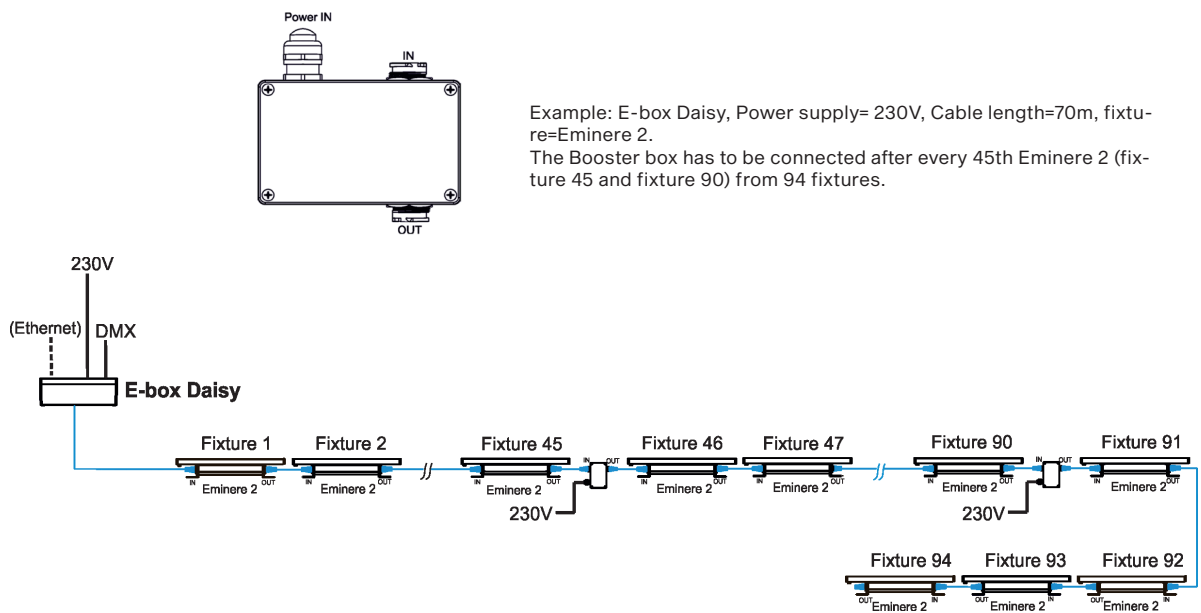


B

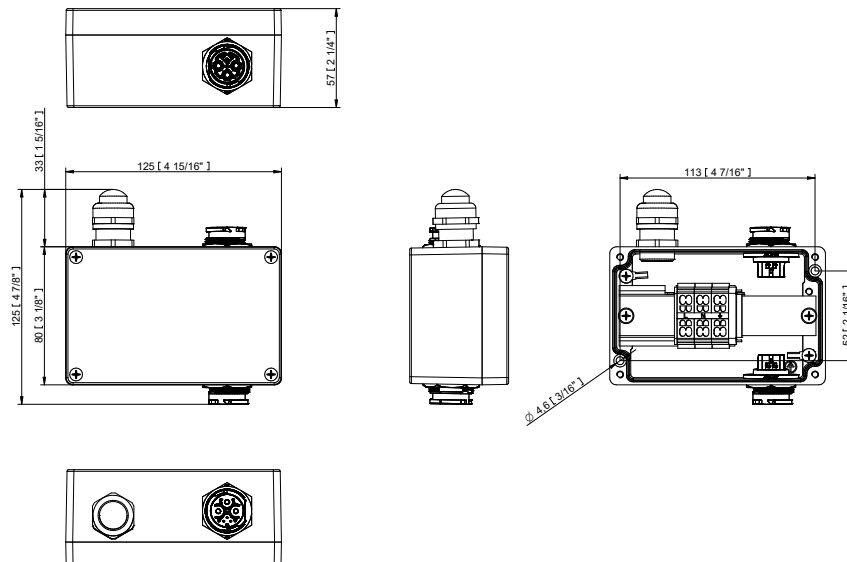


THE BOOSTER BOX

To compensate a voltage drop in a large installation, the Booster boxes have to be connected in the chain of Eminere modules.



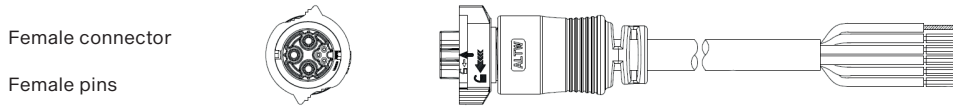
DIMENSIONS



CABLES

Leader Cable

For connecting E-Box with first Eminere. Comes with Waterproof End Cap which has to be installed to the last Eminere's output connector.



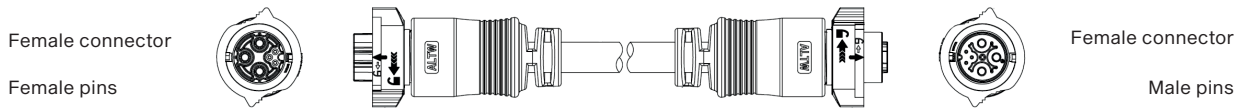
Female connector

Female pins

Jumper Cable

For connection between two Emineres.

NOTE: Custom length of Jumper cable depends on the distance between two Eminere luminaires (length includes cable and connectors).



Female connector

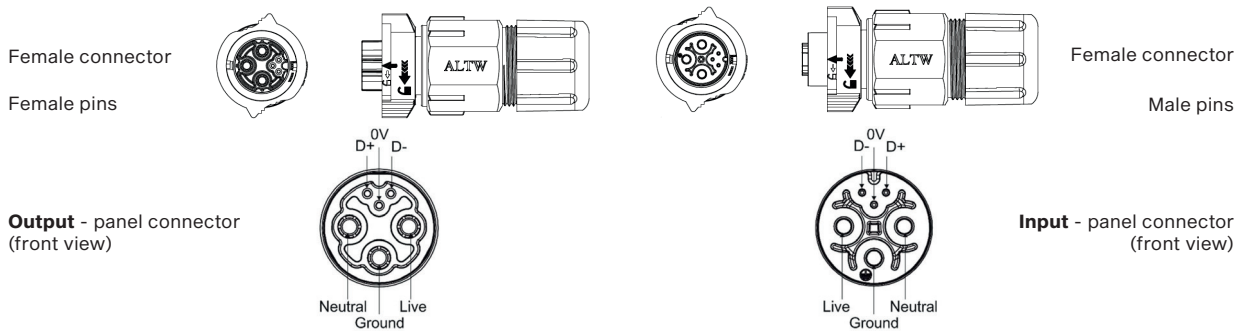
Female pins

Female connector

Male pins

Field installable connector

For special cases, where Jumper Cable can't be used. Then use Leader Cable with Field installable connector to make a connection between Emineres.



Female connector

Female pins

Female connector

Male pins

Output - panel connector
(front view)

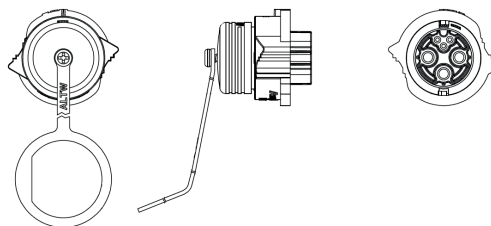


Input - panel connector
(front view)



Waterproof End Cap

Install at the end of line to the last Emineres output connector.



Cable lengths available

IN METRES	LEADER CABLE	JUMPER CABLE
0,25	-	YES
0,5	-	YES
1	-	YES
2	YES	YES
3	-	YES

IN METRES	LEADER CABLE	JUMPER CABLE
5	YES	YES
10	YES	YES
25	YES	-
50	YES	-
Other lengths	On Request	

BOOSTER BOX POSITIONS

	Cable length (m)	Max. number of Emineres 1 = 191 (in Standard mode)			
		120 V	190 V	230 V	277 V
EMINERE 1	10 m	66,132	104	127	-
	20 m	66,132	104	127	-
	30 m	46,92,138	104	127	-
	50 m	28,56,84,112,140	70,140	102	148
	70 m	20,40,60,80,100,120,140	50,100,150	73,146	106
	100 m	13,26,39,52,65,78,91,104,117,130,143	35,70,105,140	51,102	74,148
	200 m	7,14,21,28,35,42,49,56,63,70,77,84,91,98,105,112,119,126,133,140,147	17,34,51,68,85,102,119,136	25,50,75,100,125,150	37,74,111,148

NOTE: For more detail see the User manual.

PHOTOMETRIC OVERVIEW

Based on RGBCW version, all leds @ full

	Lumen Output (lm)			
	EMINERE MC 1	EMINERE MC 2	EMINERE MC 3	EMINERE MC 4
12°	938	1876	2814	3752
15°	868	1736	2604	3472
25°	870	1739	2609	3478
35°	871	1741	2612	3482
45°	865	1729	2594	3458
65°	996	1728	2592	3456
100°	837	1673	2510	3346
10° x 30°	871	1741	2612	3482
10° x 60°	853	1705	2558	3410
15° x 45°	876	1752	2628	3504
15° x 90°	864	1727	2591	3454
30° x 90°	846	1691	2537	3382
35° x 60°	860	1719	2579	3438