

CALUMMA™ REMOTE S MC

Featuring an optical design using three high efficacy multi-chip LEDs and available with optional LED colour variants and various beam angles, the small-sized Calumma Remote S MC luminaire creates powerful and beautiful light output for a spot, accent or flood lighting solution. Its durable housing is built to withstand any exterior conditions, and its special finish for harsh and marine environments provides an exceptional outdoor LED luminaire in an elegant design. Complemented by a wide range of accessories, control protocols and connection options, this luminaire is an effective and versatile tool to get the most out of architectural lighting applications.



KEY FEATURES

Lumen output & Light source

Luminaire with three high-power, multi-chip LEDs provides up to 993 lumen output. Multiple LED colour variants. No light spills. Perfectly homogenised light output with efficacy up to 33 lm/w.

Design & Durability

Compact, durable and stylish housing made of high-pressure die cast aluminium. IP67 and IK10 certification; suitable for marine applications (Harsh Environment Finish required) and traffic applications. Supported with a 5 year warranty.

Flexibility

Exceptional outdoor or indoor LED luminaire with a wide range of accessories, custom colour finishes, multiple light output variants and beam angles.

COLOURS

* UPON REQUEST



RGBW



RGBA



Pure White



Tuneable White *

COLOUR TEMPERATURE

* UPON REQUEST



3.000 K



3.000 K - 6.500 K *

CONTROL & PROTOCOLS



E-BOX REMOTE RANGE

OPTIC OPTIONS

SYMMETRICAL



9°



15°



25°



30°



45°



65°



100°

BI-SYMMETRICAL



10°x30°



10°x60°



15°x45°



15°x90°



30°x60°



30°x90°

STANDARD & SPECIFICATION



IP67



IK10



CE



ETL



ROHS



UKCA



5 YEAR



Vibration Standard for Bridge

Warranty with Registration

Vibration Standard for Bridge

FINISH OPTIONS

* CLOSEST RAL TONE

* HE = Harsh Environment



Graphite Black RAL 9011*



Grey Aluminium RAL 9007



Sandstone RAL 1014*



Pure White RAL 9010



HE Graphite Black RAL 9011*



HE Grey Aluminium RAL 9007



HE Sandstone RAL 1014*



HE Pure White RAL 9010



Custom Paint Colour

SPECIFICATION

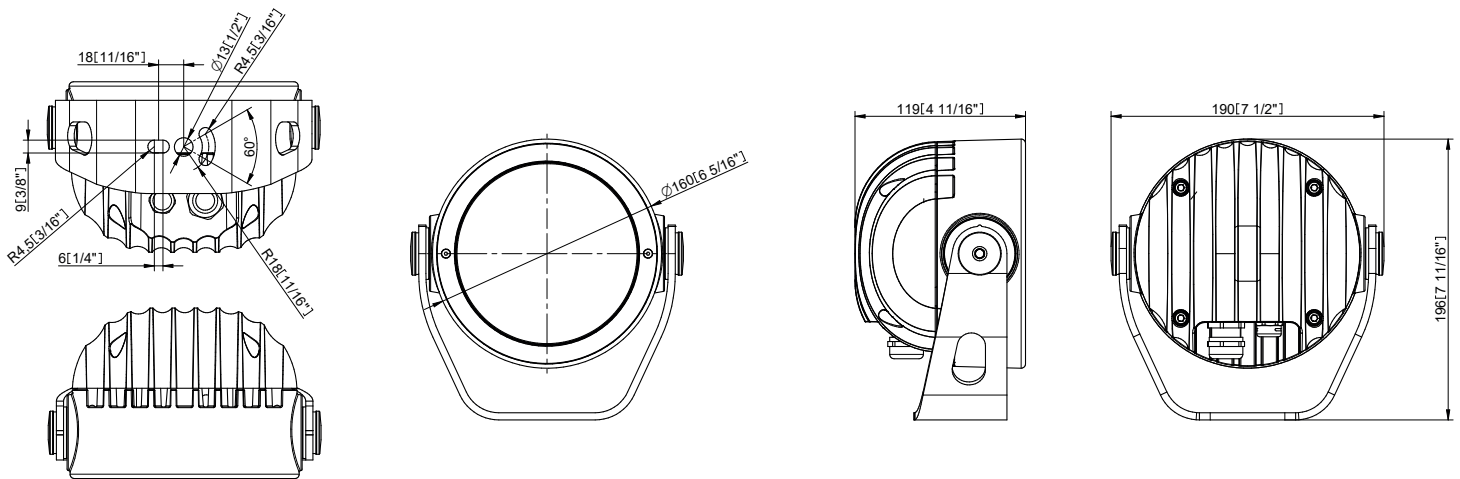
ELECTRICAL	Input Voltage	48 V		
	Typical Power Consumption	30 W +/-10 %		
OPTICAL	Light Source	High Power Multichip LEDs		
	Colour Variants	RGBW (W - 6500 K) RGBA PW (W - 3000 K) Other Variants On Request (TW 3000 - 6500 K)		
	Beam Angle	9° 15° 25° 30° 45° 65° 100° 10°x30° 30°x10° 10°x60° 60°x10° 15°x45° 45°x15° 15°x90° 90°x15° 30°x60° 60°x30° 30°x90° 90°x30°		
	Lumen Output Delivered	993 lm (@9° RGBW)		
	Projected Lumen Maintenance	L90B10 >90.000 hrs, Ta = 25°C / 77°F		
	CONTROL	Interface Protocol	Via E-box Remote, E-box Remote Basic or E-Box Remote Basic Mini	
E-Box Remote control protocol		USITT DMX512/RDM, ArtNet, MA Net, MA Net2, sACN, Kling-Net		
Settings / Addressing		Via Two Row LCD Display with Control Buttons on E-Box Remote or RDM communicator		
Power Supply		Via E-Box Remote range		
PHYSICAL	Width x Height x Depth	189 x 196 x 119 mm (7.4 x 7.7 x 4.7 in.)		
	Weight	2.95 kg 6.5 lbs		
	Housing	High Pressure Die-Cast Aluminium Body Tempered Glass		
	Finish Options	Standard Colour	Graphite Black RAL 9011 Grey Aluminium RAL 9007 Pure White RAL 9010 Sandstone RAL 1014	
		Standard Colour Harsh Environment	Graphite Black RAL 9011 Grey Aluminium RAL 9007 Pure White RAL 9010 Sandstone RAL 1014	
		Cost Option	Custom RAL	
	Cables / Connections	IN - 1 m cable with bare end - Other cable length - custom - Junction box - optional		
	Mounting Method	Yoke or Yoke for Pole Adaptor		
	Adjustability	+180° / -180°		
	Protection Factor	IP67 / Suitable For Wet Locations		
IK Rating	IK10			
Cooling System	Convection			
Operating Ambient Temperature	-20 °C / +50 °C (-4 °F / +122 °F)			
CERTIFICATION	Listings	ETL / cETL, CE, RoHS, UKCA		
ACCESSORIES	Not Included Items			
	Junction Box Remote (1x or 4x Output)			
	Re-enterable Electrical Insulating Resin			
	Optical Demo Set for Calumma S (for demo purposes)			
	Outdoor Foil Holder for Calumma S „OFH“ version only (for permanent installation)			
	Optical Foil Set for Outdoor Foil Holder Calumma S			
	Land Spike for Calumma S			
	Top Hat Calumma S			
	Half Top Hat Calumma S			
	Floor Stand for Calumma S, M			
	Tenon Adaptor			
	Pole Adaptor (ø 102mm) (Yoke for Pole Adaptor Required)			

PROJECTED AREA

	Front (rear) - m ²	Front (rear) ft ²	Side - m ²	Side - ft ²	Top - m ²	Top - ft ²
Calumma S	0,023	0,250	0,019	0,207	0,018	0,196
with Top Hat	0,023	0,250	0,027	0,290	0,027	0,290
with Half Top Hat	0,023	0,250	0,022	0,232	0,027	0,290

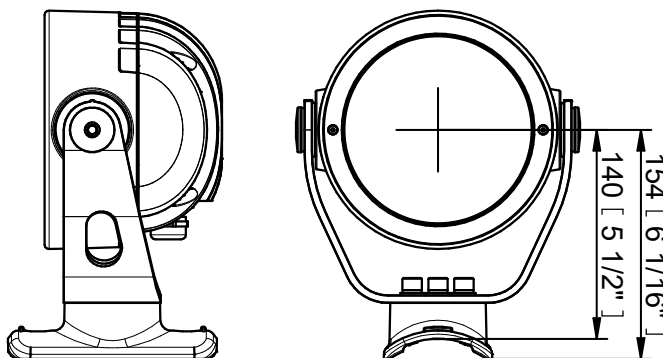
DIMENSIONS

Standard Yoke



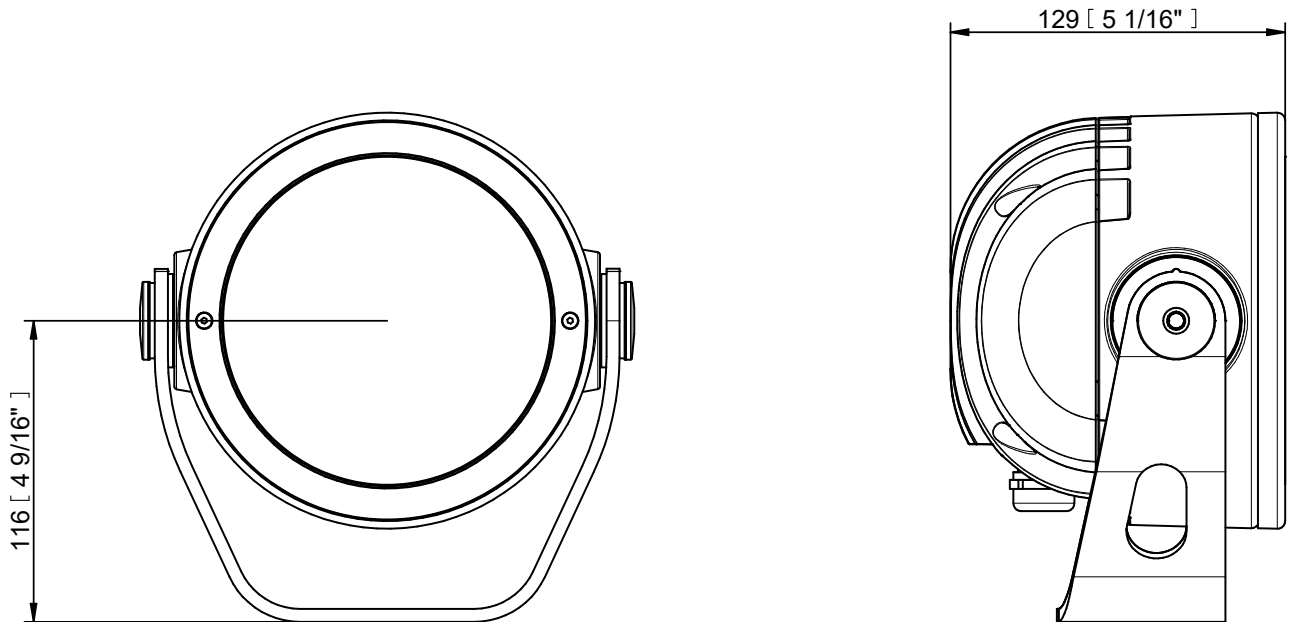
Yoke for Pole Adaptor (with Pole Adaptor / PA)

Example of ordering code: Calumma Remote S MC RGBCW 15° PA



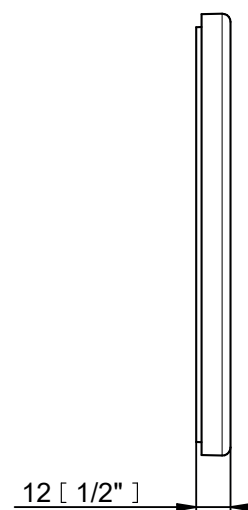
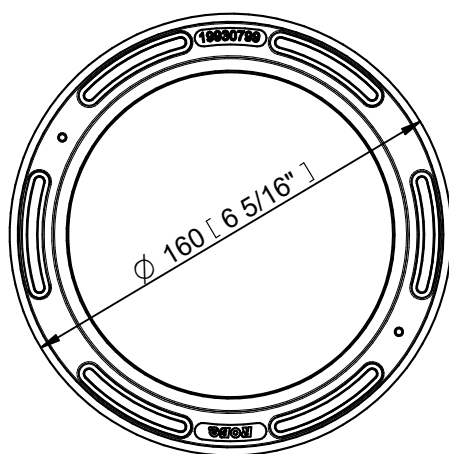
Outdoor Foil Holder for Calumma S „OFH“ version only (for permanent installation)

Example of ordering code: Calumma Remote S MC CE RGBCW 9° RAL9007 OFH



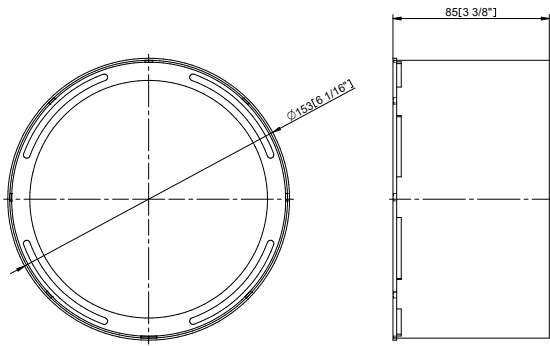
ACCESSORIES

Outdoor Foil Holder for Calumma S

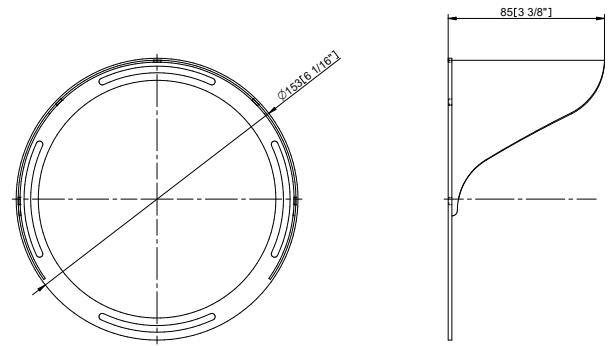


ACCESSORIES

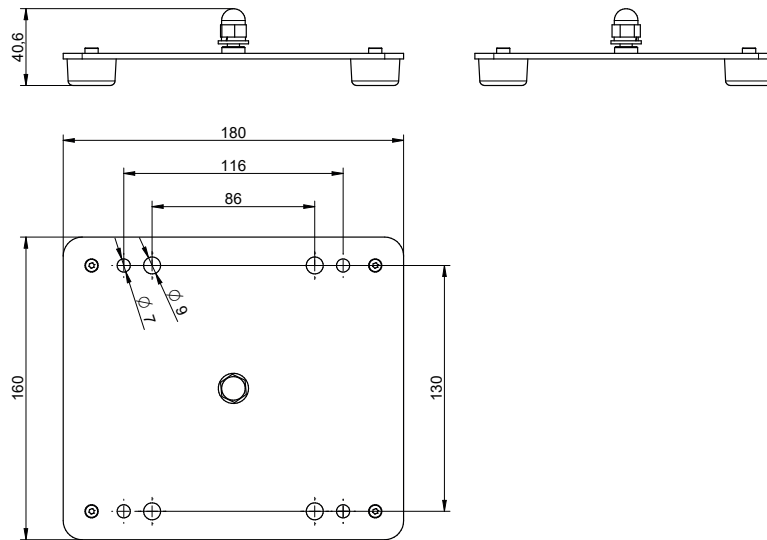
Top Hat



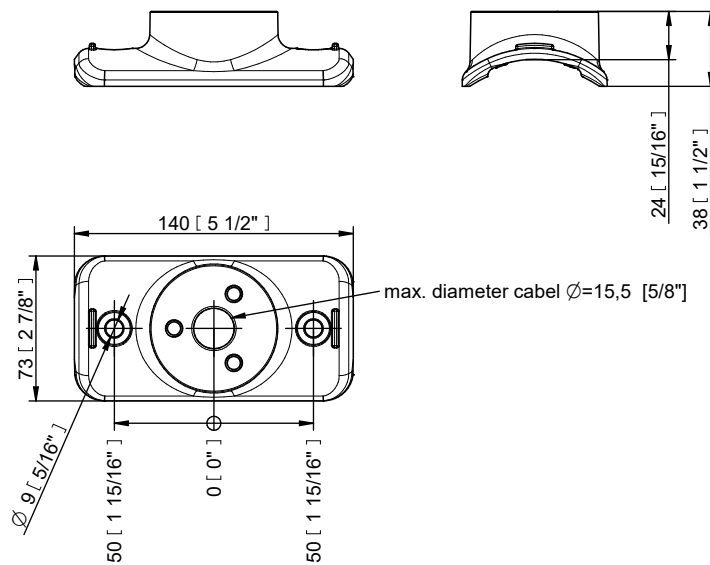
Half Top Hat



Floor Stand



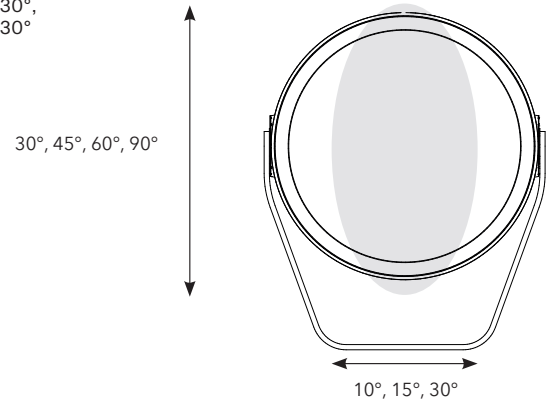
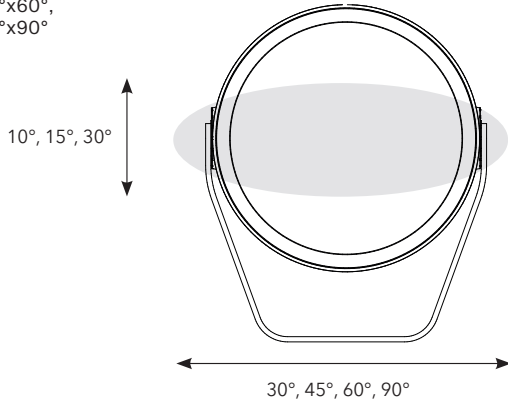
Pole Adaptor



BI-SYMMETRICAL BEAM ANGLES

Bi-symmetrical:
10°x30°,
10°x60°,
15°x45°,
15°x90°,
30°x60°,
30°x90°

Bi-symmetrical:
30°x10°,
60°x10°,
45°x15°,
90°x15°,
60°x30°,
90°x30°



PHOTOMETRIC OVERVIEW

Lumen Output (lm)

	RGBCW (W 6500 K)	RGBA	WW (W 3000 K)
9°	993	852	847
15°	768	659	655
25°	762	653	650
30°	751	644	640
45°	761	653	649
65°	761	653	649
100°	753	646	642
10° x 30°, 30° x 10°	720	617	614
10° x 60°, 60° x 10°	800	686	682
15° x 45°, 45° x 15°	815	699	695
30° x 60°, 60° x 30°	757	649	645
30° x 90°, 90° x 30°	816	700	696
15° x 90°, 90° x 15°	904	773	769

CONNECTION

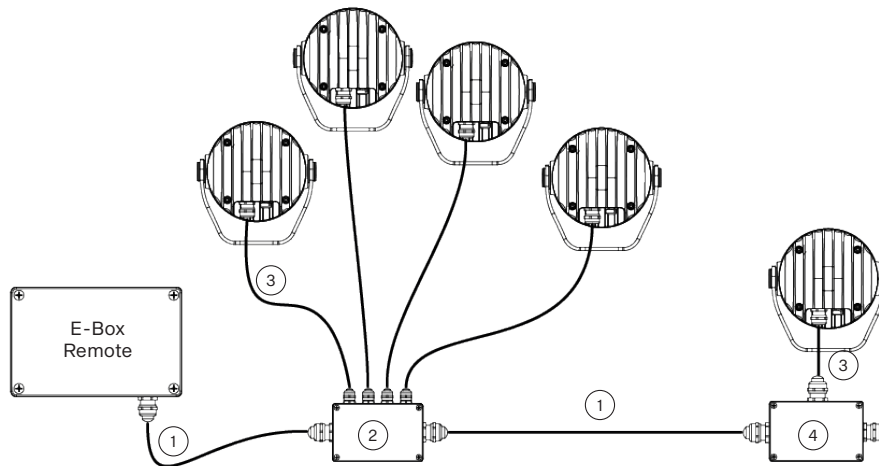
The table states max. number of Calumma Remote S modules connected to the E-box Remote or Remote Basic.

Cable length (m)	Max. number of Calumma Remote S connected to the E-Box Remote or Remote Basic
	CALUMMA REMOTE S
25	13
50	10
75	8
100	6

CONTROL AND CONNECTION OPTIONS

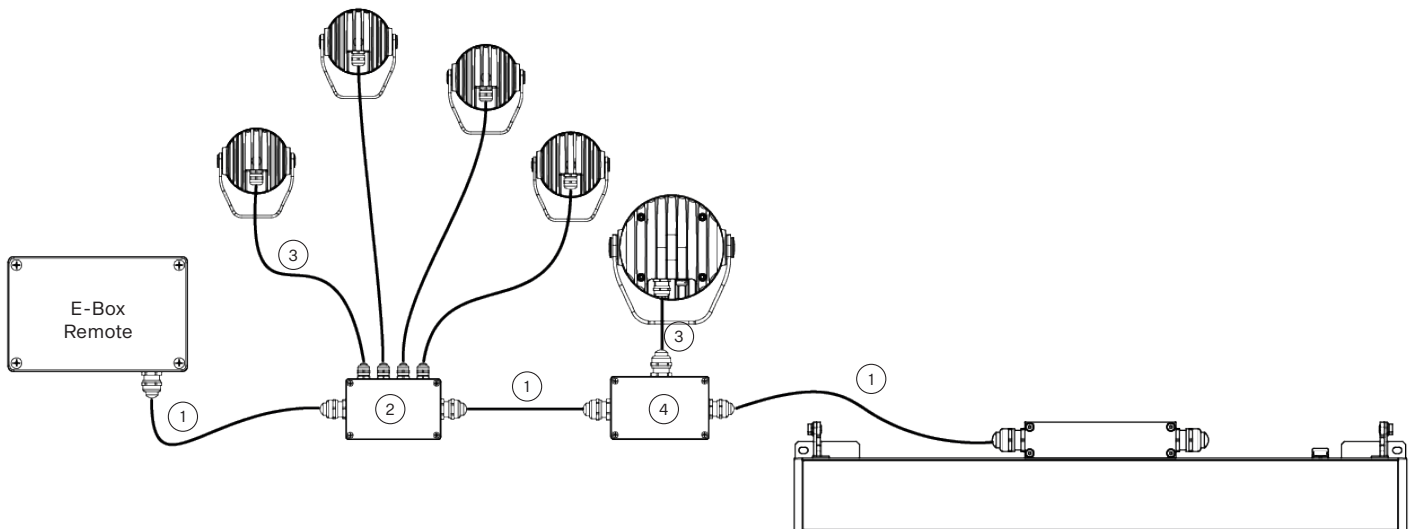
Via E-Box REMOTE (Calumma Remote S)

- 1) SJTW 5x 14AWG (1305 3336), black or On request Cable SJTW 5x 14AWG (13053697), white
- 2) Junction Box Remote, (4x Output)
- 3) UL 20969 5x 20AWG (13053481), black or On request Cable SJTW 5x 20AWG (13053696), white
- 4) Junction Box Remote, (1x Output)



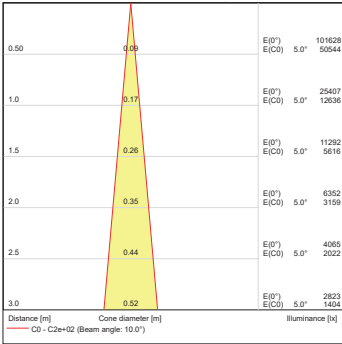
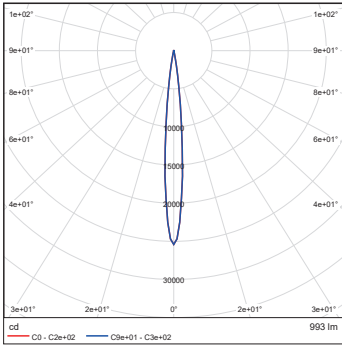
Via E-Box REMOTE (Calumma XS, Calumma Remote S, Eminere Remote)

- 1) SJTW 5x 14AWG (1305 3336), black or On request Cable SJTW 5x 14AWG (13053697), white
- 2) Junction Box Remote, (4x Output)
- 3) UL 20969 5x 20AWG (13053481), black or On request Cable SJTW 5x 20AWG (13053696), white
- 4) Junction Box Remote, (1x Output)

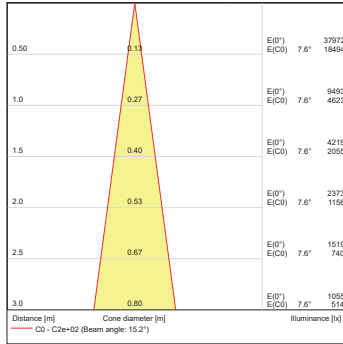
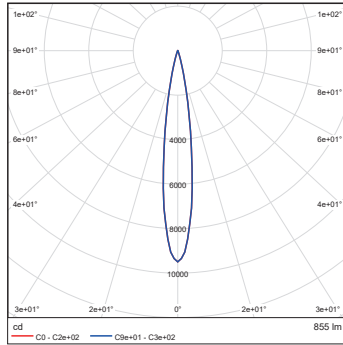


PHOTOMETRIC DATA

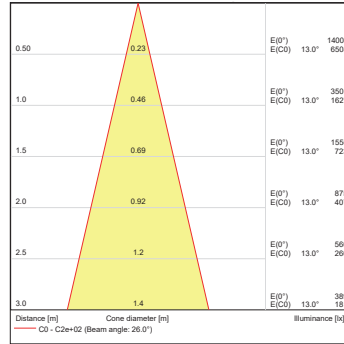
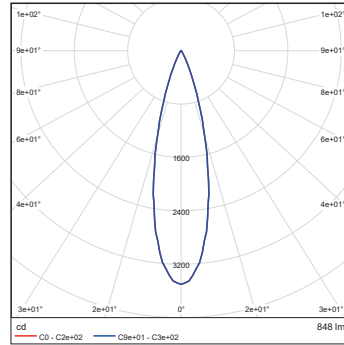
Calumma S MC RGBW 6500K 10dg



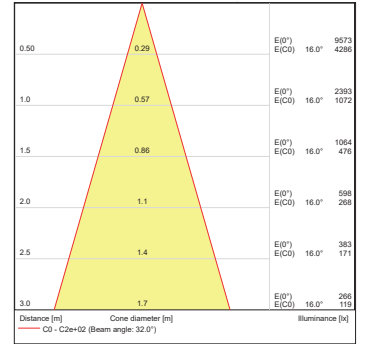
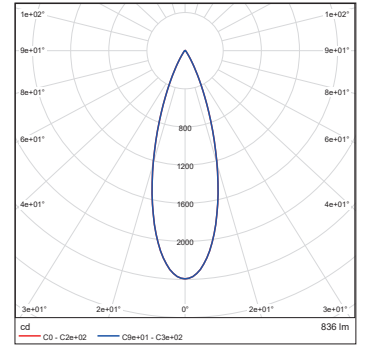
Calumma S MC RGBW 6500K 15dg



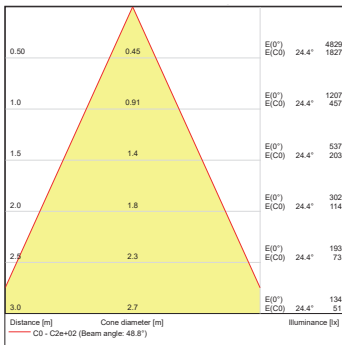
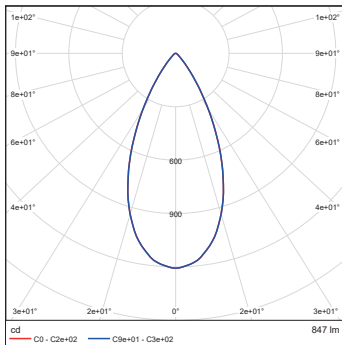
Calumma S MC RGBW 6500K 25dg



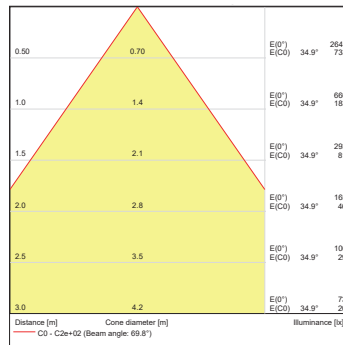
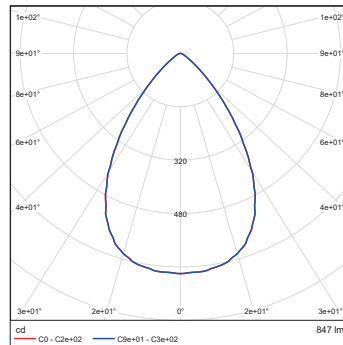
Calumma S MC RGBW 6500K 30dg



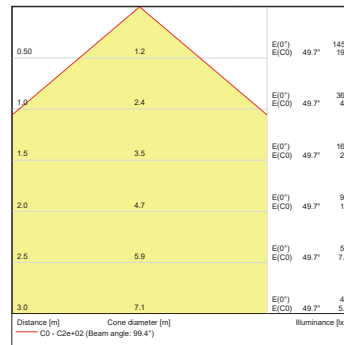
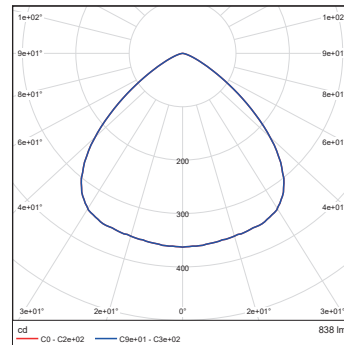
Calumma S MC RGBW 6500K 45dg



Calumma S MC RGBW 6500K 65dg

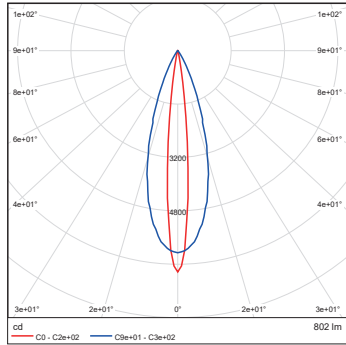


Calumma S MC RGBW 6500K 100dg

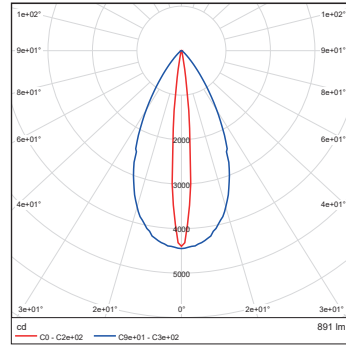


PHOTOMETRIC DATA

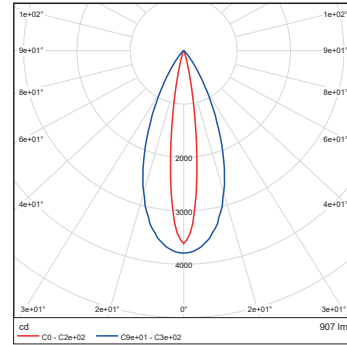
Calumma S MC RGBW 6500K
10x30dg



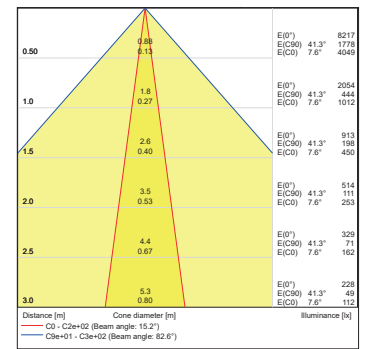
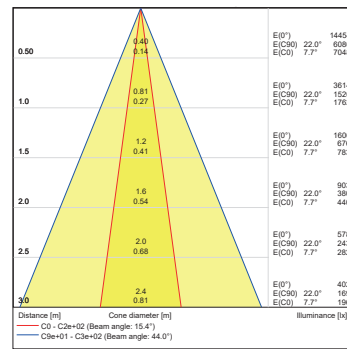
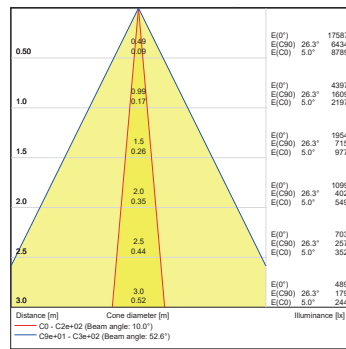
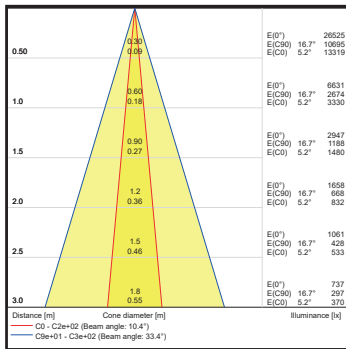
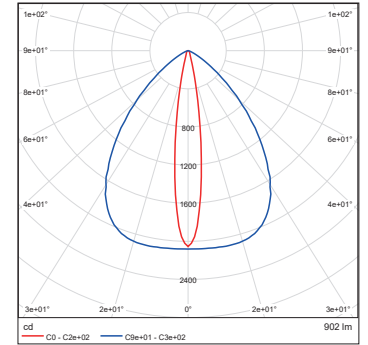
Calumma S MC RGBW 6500K
10x60dg



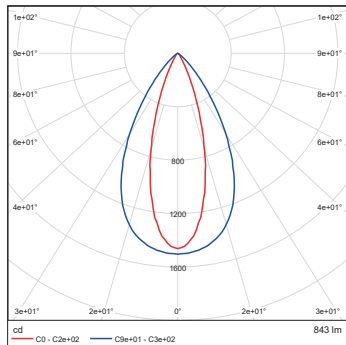
Calumma S MC RGBW 6500K
15x45dg



Calumma S MC RGBW 6500K
15x90dg



Calumma S MC RGBW 6500K
30x60dg



Calumma S MC RGBW 6500K
30x90dg

