

CALUMMA™ REMOTE M MC

Featuring an optical design using high efficacy multi-chip LEDs and available with optional LED colour variants and various beam angles, the medium-sized Calumma Remote M MC luminaire creates powerful and beautiful light output for a spot, accent or flood lighting solution. Its durable housing is built to withstand any exterior conditions, and its special finish for harsh and marine environments provides an exceptional outdoor LED luminaire in an elegant design. Complemented by wide range of accessories and control protocols via E-Box Remote, this luminaire is an effective and versatile unit to get the most out of architectural lighting applications.



KEY FEATURES

Lumen output & Light source

Luminaire with high-power, multi-chip LEDs provides up to 2316 lumen output. Multiple LED colour variants. No light spills. Perfectly homogenised light output with efficacy up to 35 lm/w.

Design & Durability

Compact, durable and stylish housing made of high-pressure die cast aluminium. IP67 and IK10 certification; suitable for marine applications (Harsh Environment Finish required) and traffic applications. Supported with a 5 year warranty.

Flexibility

Exceptional outdoor or indoor LED luminaire with a wide range of accessories, custom colour finishes, multiple light output variants and beam angles.

Connectivity

Utilising the innovative E-Box Remote series of power and data interfaces, Calumma Remote M MC can communicate via numerous wired, wireless, and Ethernet based control protocols.

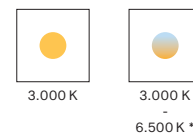
COLOURS

* UPON REQUEST



COLOUR TEMPERATURE

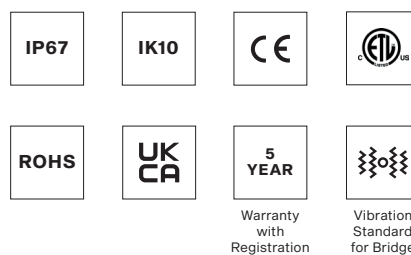
* UPON REQUEST



CONTROL & PROTOCOLS

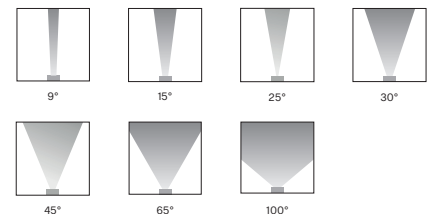


STANDARD & SPECIFICATION

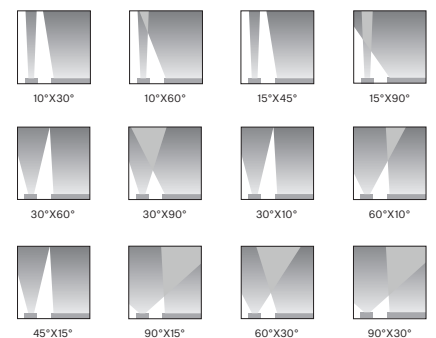


OPTIC OPTIONS

SYMMETRICAL



BI-SYMMETRICAL



FINISH OPTIONS

* CLOSEST RAL TONE

* HE = Harsh Environment



SPECIFICATION

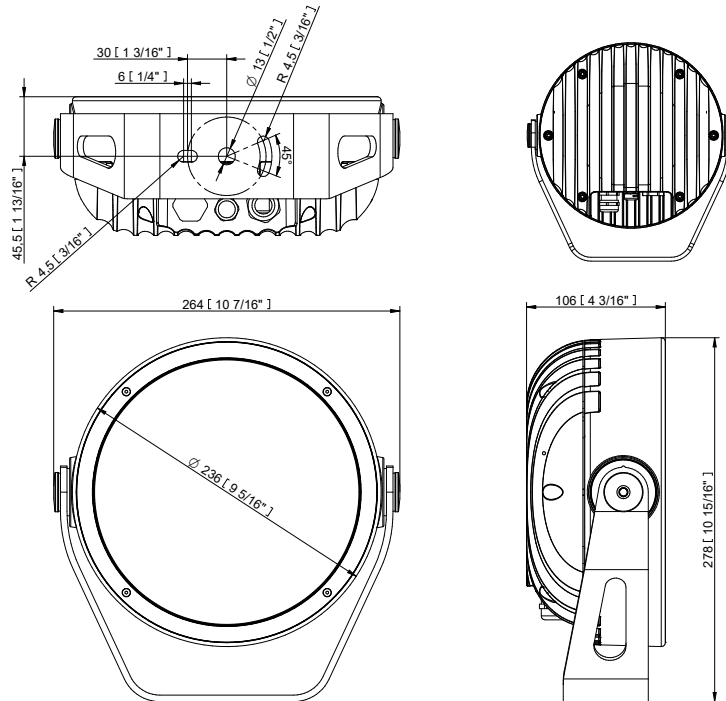
ELECTRICAL	Input Voltage	48 V		
	Typical Power Consumption	65 W +/-10 %		
OPTICAL	Light Source	High Power Multichip LEDs		
	Colour Variants	RGBW (W - 6500 K) RGBA PW (W - 3000 K) Other Variants On Request (TW 3000 - 6500 K)		
	Beam Angle	9° 15° 25° 30° 45° 65° 100° 10°x30° 30°x10° 10°x60° 60°x10° 15°x45° 45°x15° 15°x90° 90°x15° 30°x60° 60°x30° 30°x90° 90°x30°		
	Lumen Output Delivered	2316 lm (@9° RGBW)		
	Projected Lumen Maintenance	L90B10 >90.000 hrs, Ta = 25°C / 77°F		
CONTROL	Interface Protocol	Via E-box Remote, E-box Remote Basic or E-Box Remote Basic Mini		
	E-box control protocol	USITT DMX512+RDM, ArtNet, MA Net, MA Net2, sACN, Kling-Net		
	Settings / Addressing	Via Two Row LCD Display with Control Buttons on E-Box Remote or RDM communicator		
	Power Supply	Via E-Box Remote range		
PHYSICAL	Width x Height x Depth	264 x 278 x 106 mm (10.4 x 10.94 x 4.17 in.)		
	Weight	5.43 kg 12 lbs		
	Housing	High Pressure Die-Cast Aluminium Body Tempered Glass		
	Finish Options	Standard Colour	Graphite Black RAL 9011 Grey Aluminium RAL 9007 Pure White RAL 9010 Sandstone RAL 1014	
		Standard Colour Harsh Environment	Graphite Black RAL 9011 Grey Aluminium RAL 9007 Pure White RAL 9010 Sandstone RAL 1014	
		Cost Option	Custom RAL	
	Cables / Connections	IN: - Cable with bare end (Standard 1m, Longer upon Request) - Cable length - custom - Junction box - optional		
	Mounting Method	Yoke or Yoke for Pole Adaptor		
	Adjustability	+180° / -180°		
	Protection Factor	IP67 / Suitable For Wet Locations		
IK Rating	IK10			
Cooling System	Convection			
Operating Ambient Temperature	-20 °C / +50 °C (-4 °F / +122 °F)			
CERTIFICATION	Listings	ETL / cETL, CE, RoHS, UKCA		
ACCESSORIES	Not Included Items			
		Junction Box Remote (1x or 4x Output)		
		Optical Demo Set for Calumma M (for demo purposes)		
		Outdoor Foil Holder for Calumma M „OFH“ version only (for permanent installation)		
		Optical Foil Set for Outdoor Foil Holder Calumma M		
		Land Spike for Calumma M		
		Top Hat Calumma M		
		Half Top Hat Calumma M		
		Re-enterable Electrical Insulating Resin		
		Floor Stand for Calumma S, M		
		Tenon Adaptor		
		Pole Adaptor (ø 102mm) (Yoke for Pole Adaptor Required)		

PROJECTED AREA

	Front (rear) - m ²	Front (rear) ft ²	Side - m ²	Side - ft ²	Top - m ²	Top - ft ²
Calumma Remote M	0,047	0,500	0,026	0,280	0,024	0,258
with Top Hat	0,047	0,500	0,054	0,581	0,052	0,559
with Half Top Hat	0,047	0,500	0,037	0,398	0,052	0,559

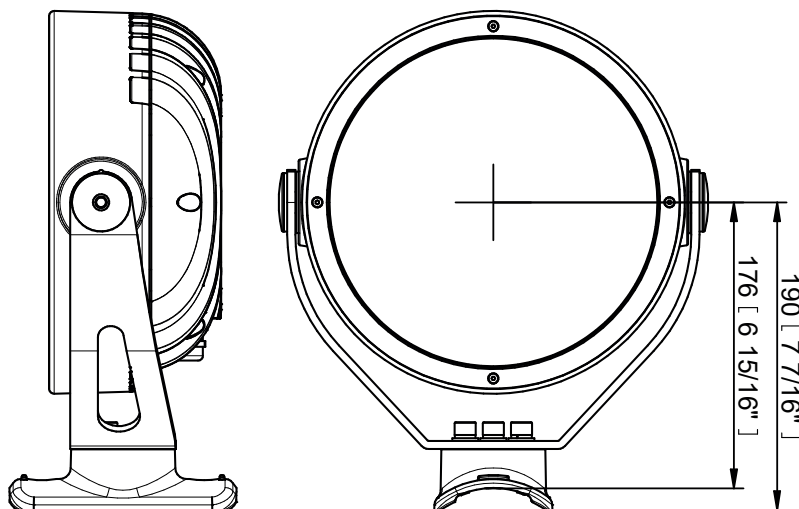
DIMENSIONS

Standard Yoke



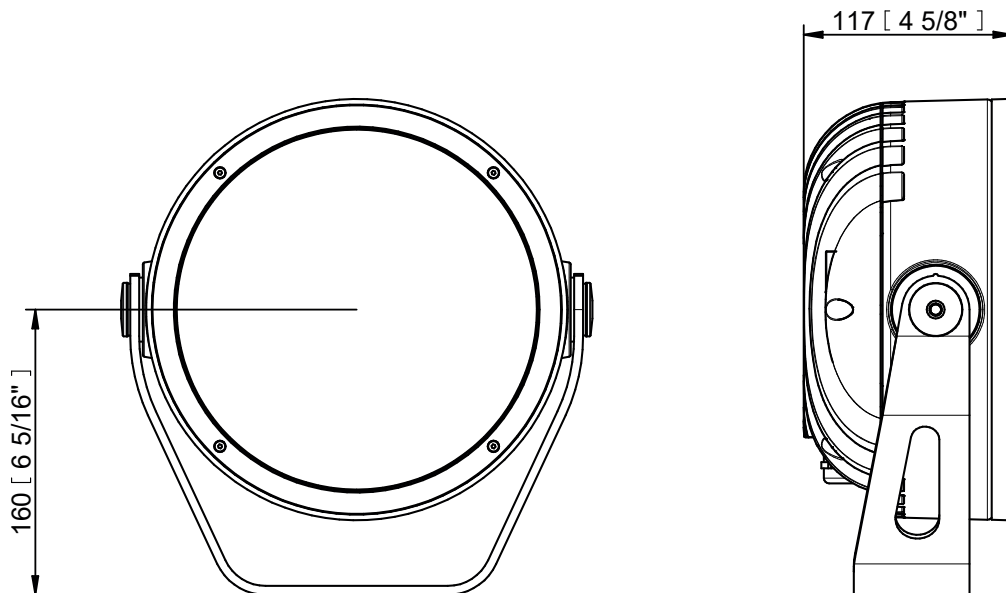
Yoke for Pole Adaptor (with Pole Adaptor / PA)

Example of ordering code: Calumma Remote M MC RGBCW 15° PA



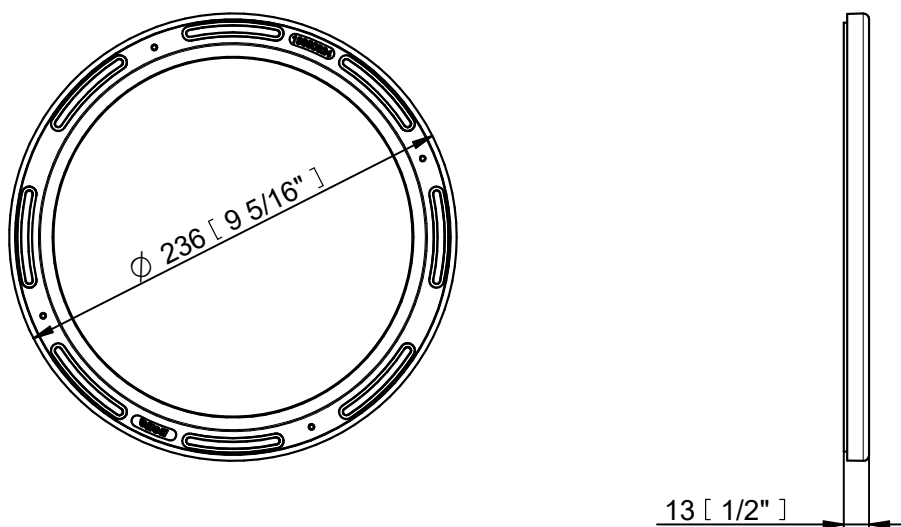
Outdoor Foil Holder for Calumma M „OFH“ version only (for permanent installation)

Example of ordering code: Calumma Remote M MC CE RGCW 9° RAL9007 OFH

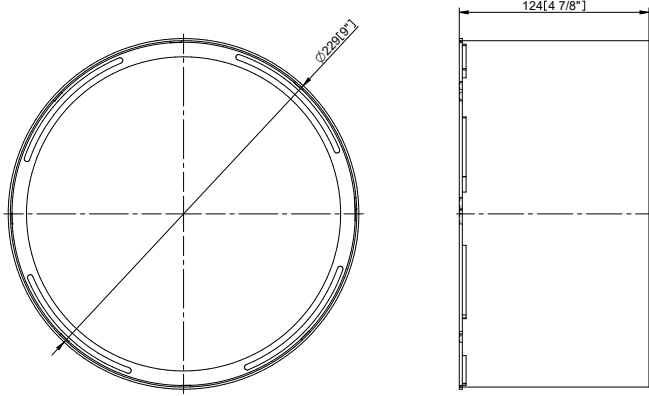


ACCESSORIES

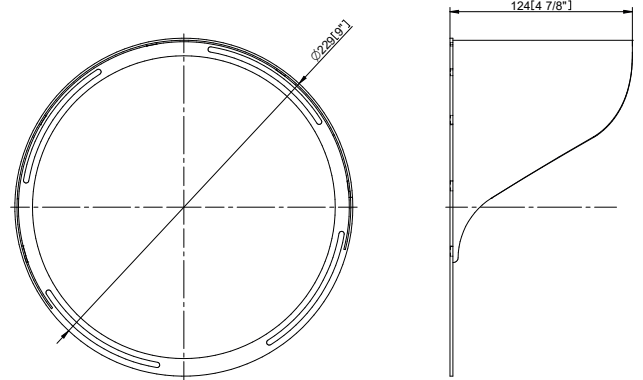
Outdoor Foil Holder for Calumma M



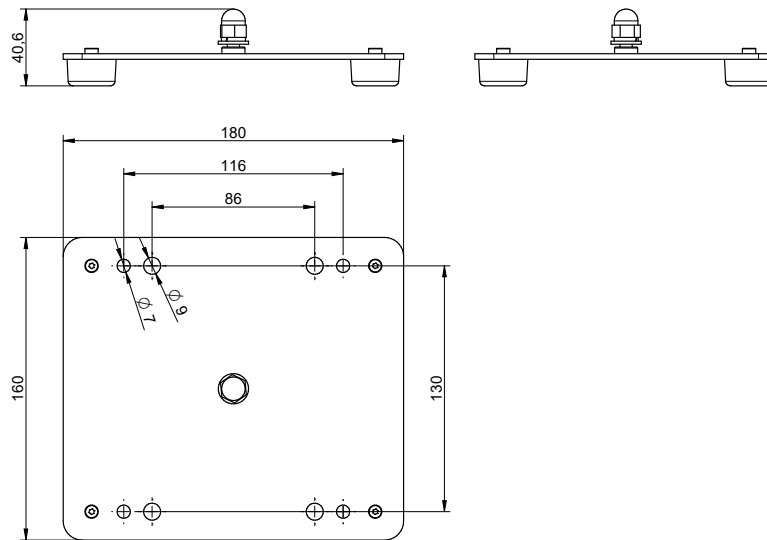
Top Hat



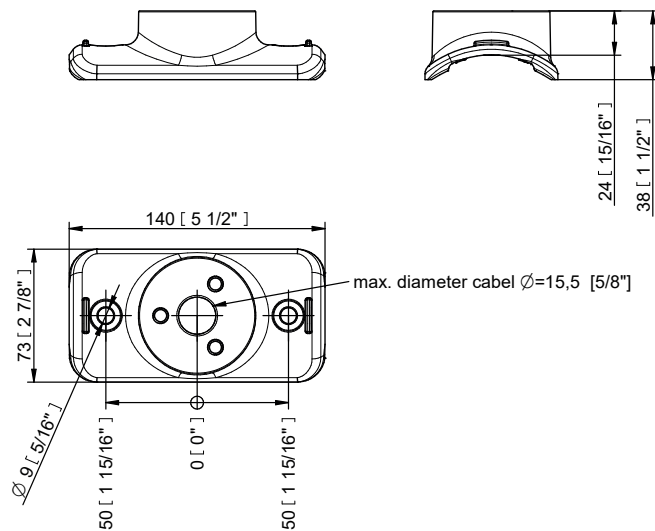
Half Top Hat



Floor Stand



Pole Adaptor



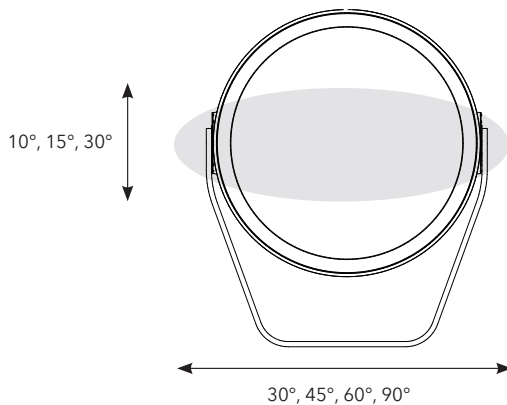
PHOTOMETRIC OVERVIEW

	Lumen Output (lm)		
	RGBCW (W 6500 K)	RGBA	WW (W 3000 K)
9°	2316	1986	1975
15°	1792	1537	1528
25°	1779	1526	1517
30°	1752	1502	1494
45°	1775	1522	1513
65°	1776	1523	1514
100°	1757	1507	1498
10° x 30°, 30° x 10°	1681	1442	1433
10° x 60°, 60° x 10°	1867	1601	1592
15° x 45°, 45° x 15°	1902	1631	1622
30° x 60°, 60° x 30°	1766	1514	1506
30° x 90°, 90° x 30°	1905	1634	1624
15° x 90°, 90° x 15°	2109	1809	1795

BI-SYMMETRICAL BEAM ANGLES

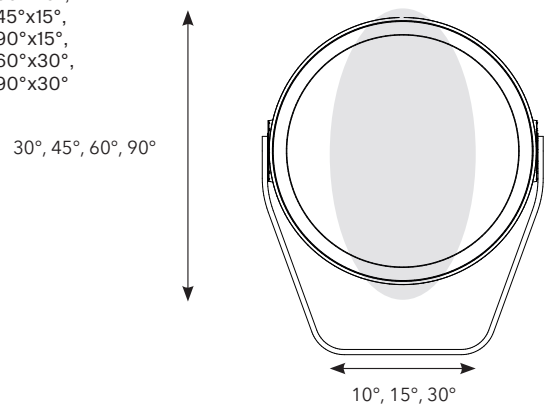
Bi-symmetrical:

10°x30°,
10°x60°,
15°x45°,
15°x90°,
30°x60°,
30°x90°



Bi-symmetrical:

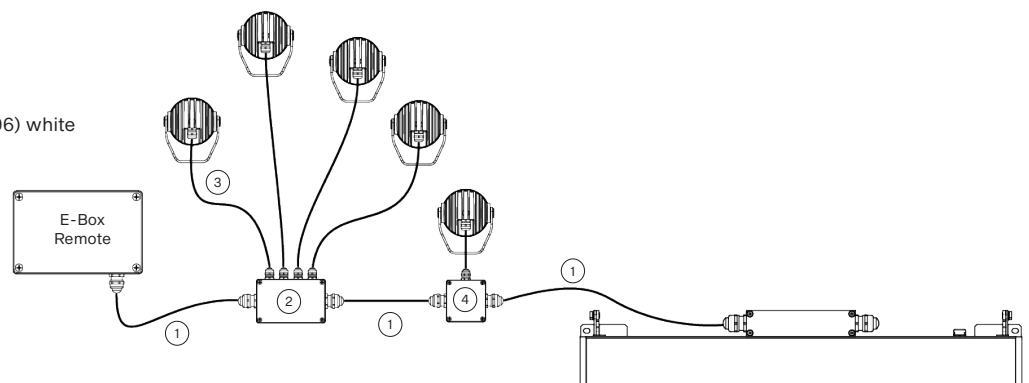
30°x10°,
60°x10°,
45°x15°,
90°x15°,
60°x30°,
90°x30°



CONTROL AND CONNECTION OPTIONS

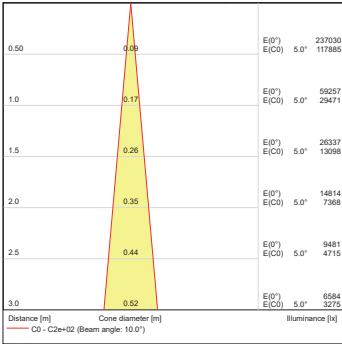
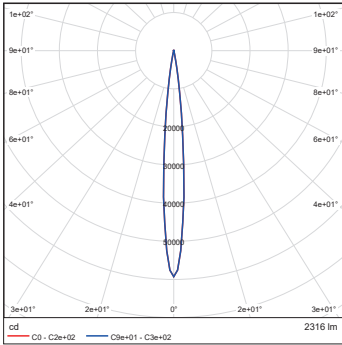
Via E-Box REMOTE

- 1) SJTW 5x 14AWG (1305 3336), black
or
On request: Cable SJTW 5x 14AWG (13053697), white
- 2) Junction Box Remote, (4x Output)
- 3) UL 20969 5x 20AWG (13053481), black
or
On request: Cable SJTW 5x 20AWG (13053696) white
- 4) Junction Box Remote, (1x Output)

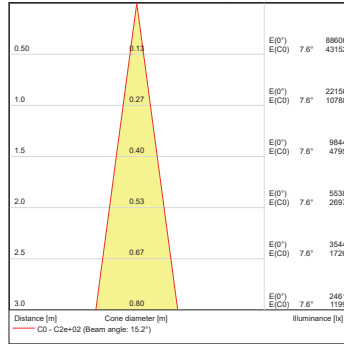
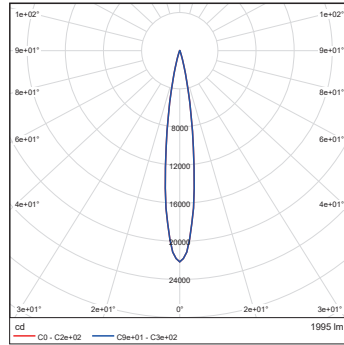


PHOTOMETRIC DATA

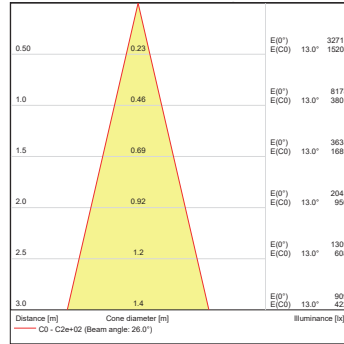
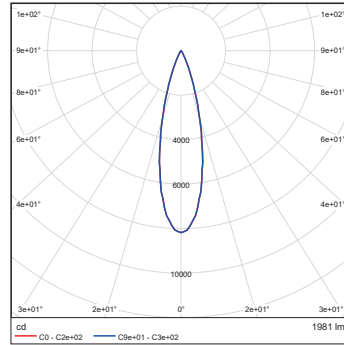
Calumma M MC RGBW 6500K 10dg



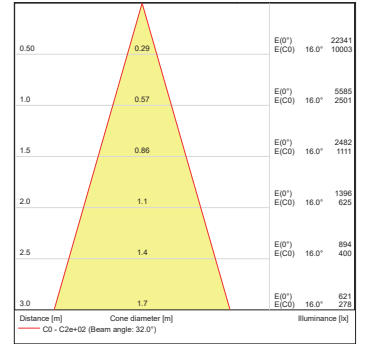
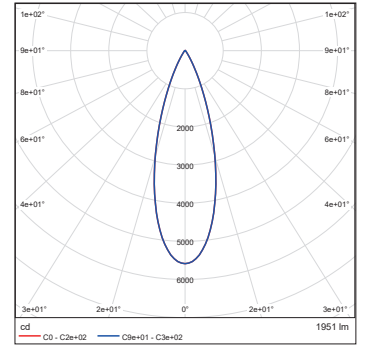
Calumma M MC RGBW 6500K 15dg



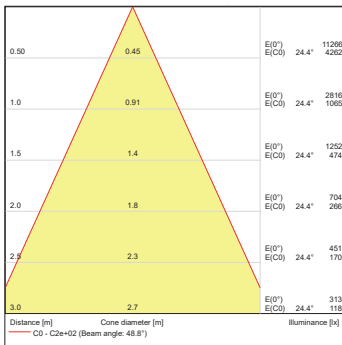
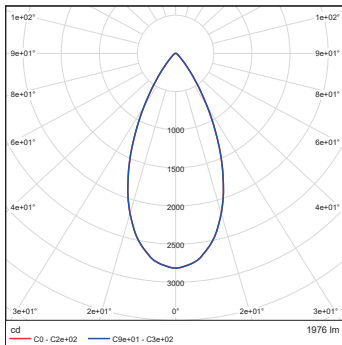
Calumma M MC RGBW 6500K 25dg



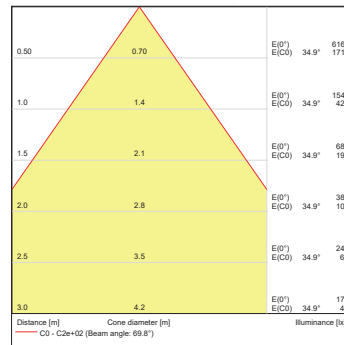
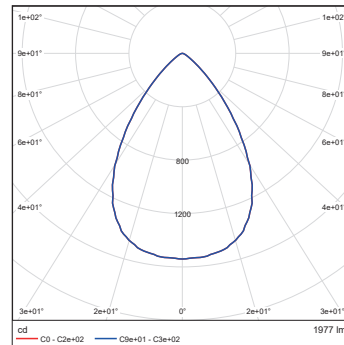
Calumma M MC RGBW 6500K 30dg



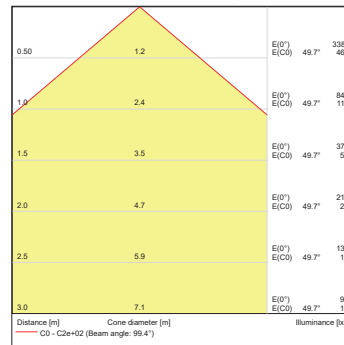
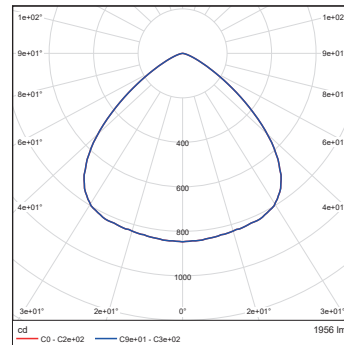
Calumma M MC RGBW 6500K 45dg



Calumma M MC RGBW 6500K 65dg

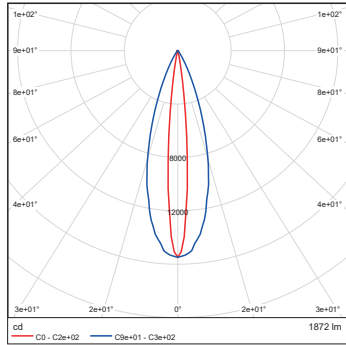


Calumma M MC RGBW 6500K 100dg

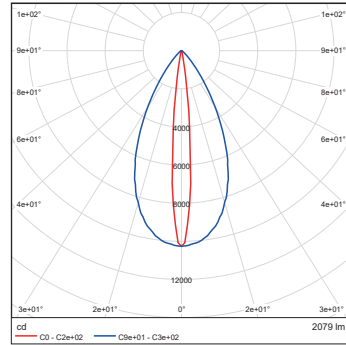


PHOTOMETRIC DATA

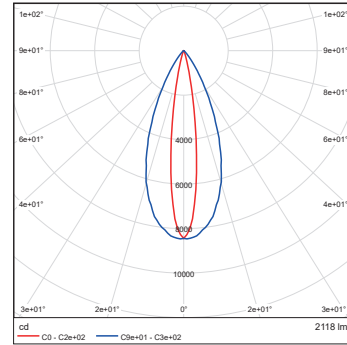
Calumma M MC RGBW 6500K
10x30dg



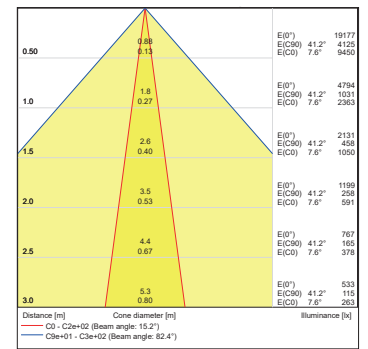
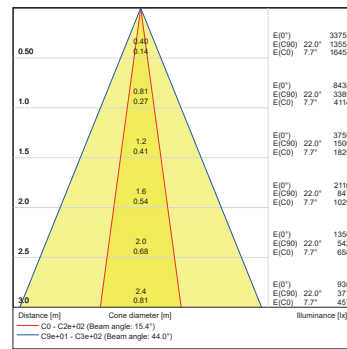
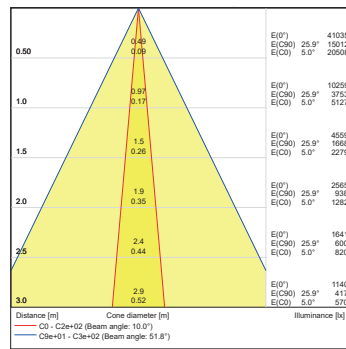
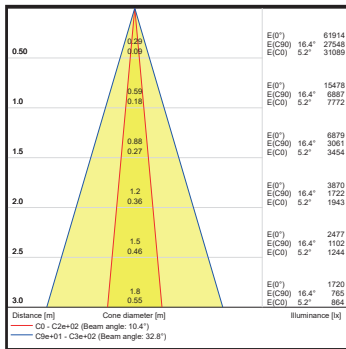
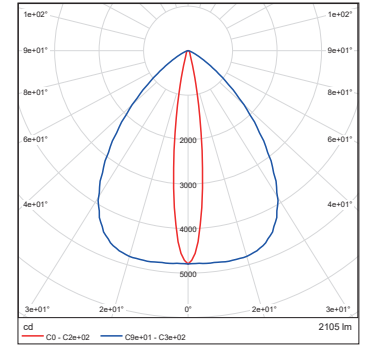
Calumma M MC RGBW 6500K
10x60dg



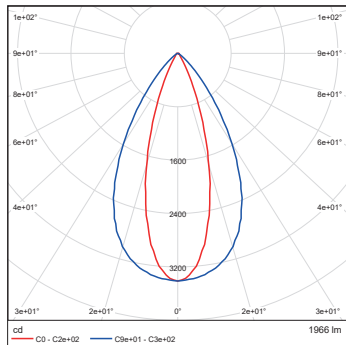
Calumma M MC RGBW 6500K
15x45dg



Calumma M MC RGBW 6500K
15x90dg



Calumma M MC RGBW 6500K
30x60dg



Calumma M MC RGBW 6500K
30x90dg

