

ARCPower™ UNIT PIXEL RACK / WALL MOUNT

The ArcPower Unit Pixel is available in Rack or Wall mount options for maximum installation flexibility. Integrating the latest technology to offer even greater performance in terms of both efficiency and flexibility, and capable of producing both 48 V and 24 V as outputs, allowing global use without power compatibility issues. 8 individual outputs on the 48 V version (6 on the 28 V version) allow cabling of fixtures efficiently and economically, especially when using pixel based luminaires.



KEY FEATURES

Control Protocol (connector)

ArcPower Unit Pixel can be controlled by wide variety of protocols (DMX512, ArtNet, MANet, MANet2, sACN).

Input Voltage

Input voltage can be between 100 and 240V (CE) or 277 V (US) AC 50/60 Hz. Output power supply cable has 1 m (3.28 ft.) length.

Physical (max WxHxD)

Box dimensions are 484 × 90 × 321 mm – 6.5 kg (19.05 × 3.54 × 12.64 in. – 14.3 lbs) Power unit can be mounted on rack or on wall.

CONTROL & PROTOCOLS



OPTIONAL



OPTIONAL

FINISH OPTIONS



Graphite Black
RAL 9011



Aluminium Grey RAL
9007



Custom
Paint
Colour

STANDARD & SPECIFICATION



OPTIONAL

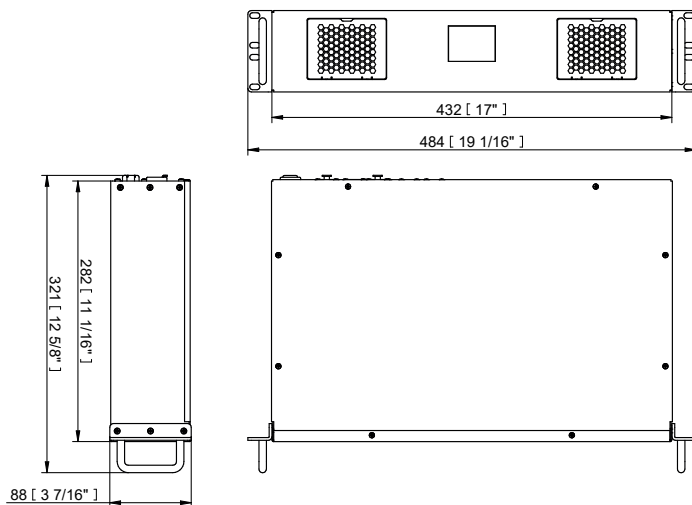


Warranty
with
Registration

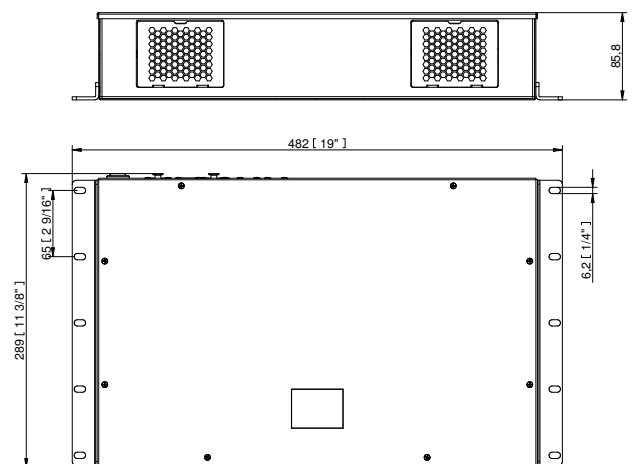


DIMENSIONS

Rack version



Wall Mount version



SPECIFICATION SHEET

ARCPower UNIT PIXEL RACK / WALL MOUNT

SPECIFICATION

ELECTRICAL	Input Voltage	100 - 240 V AC, 50 / 60 Hz (CE) 100 - 277 V AC, 50 / 60 Hz (US)	
	Typical Power Consumption	1350 W +/- 10 % (CE), 1000 W (US 48 V), 700 W +/- 10 % (US 28 V)	
	Max. Output Voltage	48 V (CE), 28 V, 48 V (US)	
CONTROL	Interface Protocol	USITT DMX512, RDM, ArtNet, MANet, MANet 2, sACN	
	Display	Graphic Touch Screen (50 x 40 mm / 1.97 x 1.57 in)	
PHYSICAL	Width x Height x Depth	Rack Mount: 484 (432) x 88 x 321 (282) mm (19.05 (17) x 3.54 x 12.64 (11.10) in.) Wall Mount: 482 (432) x 88 x 289 mm (18.97 (17) x 3.54 x 11.37 in.)	
	Weight	6.5 kg /14.3 lbs	
	Number of LED Output zones	8 (28 V: 6)	
	Typical Max. Load Per Channel (48V)	(CE): 25 x ArcDot @100m (US / 48 V): 16x ArcDot @100m	
	LED Output	Terminal Block (8-pin)	
	DMX Connection In/Out	2 x 5-pin XLR	
	Ethernet Connection	RJ45	
	Other	Trigger Input, Max. 5 V DC (terminal block) 12 V DC Output for DMX Controller	
	Mounting Method	Wall Mount or Rack Mount	
	Finish Options	Standard Colour - Graphite Black RAL 9011, Grey Aluminium RAL 9007 Cost Option - Custom RAL	
	Protection Factor	IP20 / Suitable For Dry Locations	
	Cooling System	Fan Cooled	
	Operating Ambient Temperature	0 °C / +40 °C (+32 °F / +104 °F)	
	Operating Temperature	+75 °C @ Ambient +50 °C (+167 °F @ Ambient +122 °F)	
	Total Heat Dissipation	4770 BTU/h (calculated)	
	Operating Temperature Range	-10 °C / +40 °C (14 °F / +104 °F)	
	CERTIFICATION	Listings	ETL / cETL, CE, RoHS, UKCA
	ACCESSORIES		Terminal Block, 2 x 5-pin XLR

