

CALUMMA™ S MC

Featuring an optical design using three high efficacy multi-chip LEDs and available with optional LED colour variants and various beam angles, the small-sized Calumma S MC luminaire creates powerful and beautiful light output for a spot, accent or flood lighting solution. Its durable housing is built to withstand any exterior conditions, and its special finish for harsh and marine environments provides an exceptional outdoor LED luminaire in an elegant design. Complemented by a wide range of accessories, control protocols and connection options, this luminaire is an effective and versatile tool to get the most out of architectural lighting applications.



KEY FEATURES

Lumen output & Light source

Luminaire with three high-power, multi-chip LEDs provides up to 993 lumen output. Multiple LED colour variants. No light spills. Perfectly homogenised light output with efficacy up to 33 lm/w.

Design & Durability

Compact, durable and stylish housing made of high-pressure die cast aluminium. IP67 and IK10 certification; suitable for marine applications (Harsh Environment Finish required) and traffic applications. Supported with a 5 year warranty.

Flexibility

Exceptional outdoor or indoor LED luminaire with a wide range of accessories, custom colour finishes, multiple light output variants and beam angles.

Connectivity

Calumma S MC can be connected via an E-Box for almost effortless installation. DMX512+RDM and wide range of Ethernet protocols are available for E-Box control. DMX/RDM or DALI 2 interface protocols facilitate standard connection options.

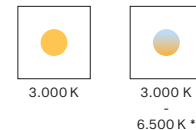
COLOURS

* UPON REQUEST



COLOUR TEMPERATURE

* UPON REQUEST

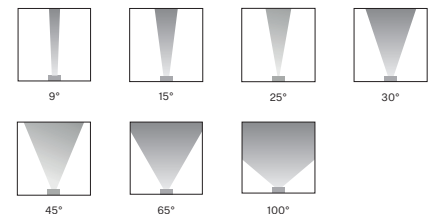


CONTROL & PROTOCOLS

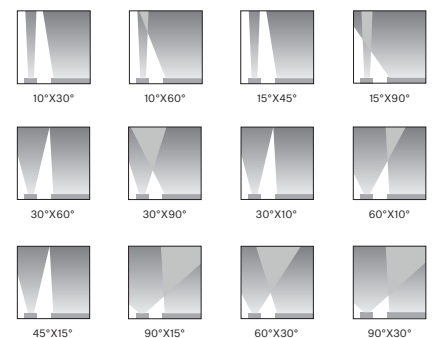


OPTIC OPTIONS

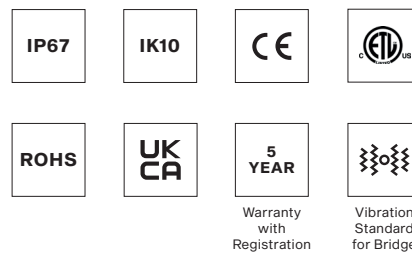
SYMMETRICAL



BI-SYMMETRICAL



STANDARD & SPECIFICATION



FINISH OPTIONS

* CLOSEST RAL TONE
* HE = Harsh Environment



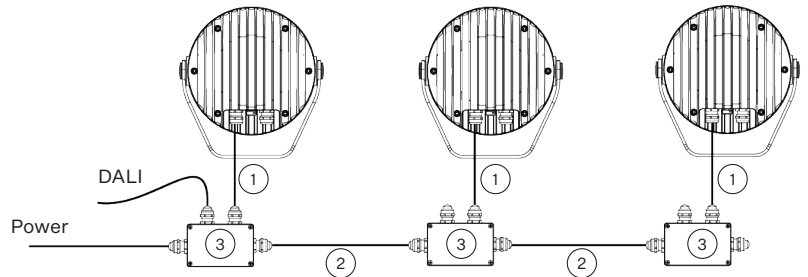
SPECIFICATION

ELECTRICAL	Input Voltage	120 - 277 V AC 50/60 Hz (US)		
	Typical Power Consumption	30 W +/-10 %		
OPTICAL	Light Source	High Power Multichip LEDs		
	Colour Variants	RGBW (W - 6500 K) RGBA PW (W - 3000 K)		
		Other Variants On Request (TW 3000 - 6500 K)		
	Beam Angle	9° 15° 25° 30° 45° 65° 100°		
		10°x30° 30°x10° 10°x60° 60°x10° 15°x45° 45°x15° 15°x90° 90°x15° 30°x60° 60°x30° 30°x90° 90°x30°		
	Lumen Output Delivered	993 lm (@9° RGBW)		
Projected Lumen Maintenance	L90B10 >90.000 hrs, Ta = 25°C / 77°F			
CONTROL	Interface Protocol	DMX/RDM, DALI 2		
	DALI 2 Device Type	DT 8		
	Control System	Third Party DMX Controllers		
	Operating Modes	DMX, Stand-alone		
	Settings / Addressing	E-Box, RDM communicator		
	Power Supply	Integrated		
PHYSICAL	Width x Height x Depth	189 x 196 x 119 mm (7.4 x 7.7 x 4.7 in.)		
	Weight	3.44 kg 7.6 lbs		
	Housing	High Pressure Die-Cast Aluminium Body		
		Tempered Glass		
	Finish Options	Standard Colour	Graphite Black RAL 9011 Grey Aluminium RAL 9007 Pure White RAL 9010 Sandstone RAL 1014	
		Standard Colour Harsh Environment	Graphite Black RAL 9011 Grey Aluminium RAL 9007 Pure White RAL 9010 Sandstone RAL 1014	
		Cost Option	Custom RAL	
	Cables / Connections	IN (for DMX, DALI):	<ul style="list-style-type: none"> - 1 m cable with bare end - Other cable length - custom - Junction box - optional 	
	Mounting Method	Yoke or Yoke for Pole Adaptor		
	Adjustability	+180° / -180°		
	Protection Factor	IP67 / Suitable For Wet Locations		
	IK Rating	IK10		
	Cooling System	Convection		
	Operating Ambient Temperature	-20 °C / +50 °C (-4 °F / +122 °F)		
CERTIFICATION	Listings	ETL / cETL, CE, RoHS, UKCA		
ACCESSORIES	Not Included Items			
	Junction Box			
	Re-enterable Electrical Insulating Resin			
	Optical Demo Set for Calumma S (for demo purposes)			
	Outdoor Foil Holder for Calumma S „OFH“ version only (for permanent installation)			
	Optical Foil Set for Outdoor Foil Holder Calumma S			
	Land Spike for Calumma S			
	Top Hat Calumma S			
	Half Top Hat Calumma S			
	Floor Stand for Calumma S, M			
	Tenon Adaptor			
Pole Adaptor (ø 102mm) (Yoke for Pole Adaptor Required)				

CONTROL AND CONNECTION OPTIONS - CE

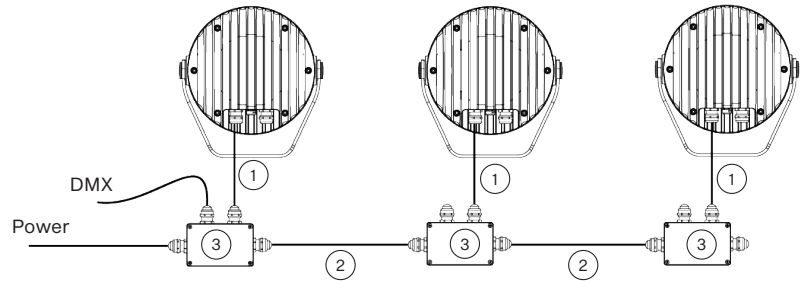
DALI

- 1) Hybrid Cable (1305 3693)
Standard 1 m with bare-end
- 2) Hybrid Cable (1305 3693)
or Scope of Others
- 3) Junction Box for Calumma



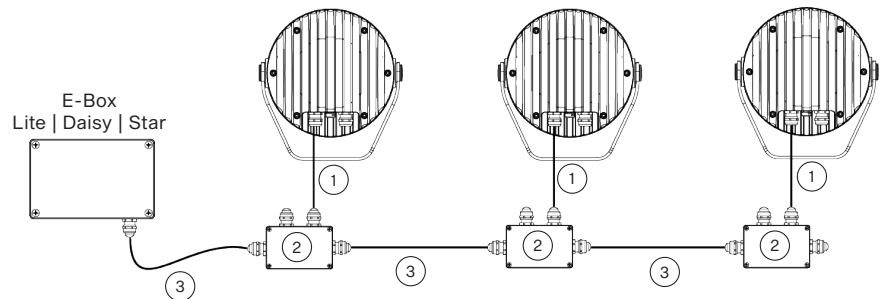
DMX

- 1) Flamar 3x AWG 16 + 1x (2x AWG 24)
Standard 1 m with bare-end, (13051508), black
or
Hybrid Cable HYB-5731ZH LSZH (13053694), white
- 2) Flamar 3x AWG 16 + 1x (2x AWG 24), (13051508), black
or
Hybrid Cable HYB-5731ZH LSZH (13053694) white
or
Scope of Others
- 3) Junction Box for Calumma



DMX or ETHERNET via E-BOX

- 1) Flamar 3x AWG 16 + 1x (2x AWG 24)
(13051508), Standard 1 m with bare-end, black
or
Hybrid Cable HYB-5731ZH LSZH (13053694), white
- 2) Junction Box for Calumma
- 3) Flamar 3x AWG 16 + 1x (2x AWG 24), (13051508), black
or
Hybrid Cable HYB-5731ZH LSZH (13053694) white
or
Scope of Others

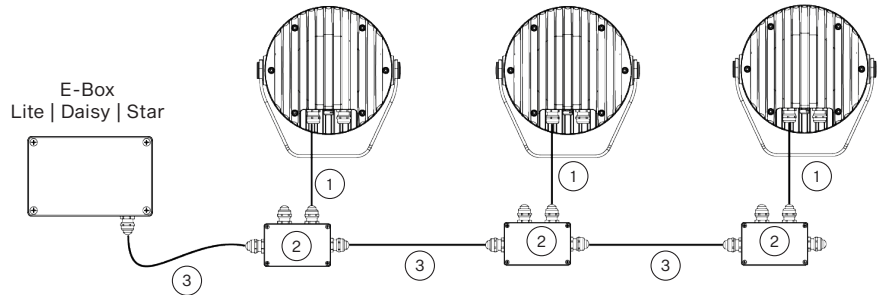


Note: This type of connection is available for S, M, L, and XL versions. E-Box has to be in Pass Through mode only.

CONTROL AND CONNECTION OPTIONS - US

DMX or ETHERNET via E-BOX

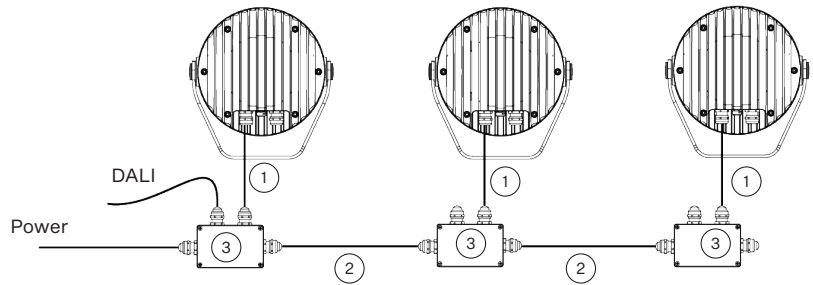
- 1) SJTW 6x 14AWG (13053480)
Standard 1 m with bare-end, black
or
Cable SJTW 6x 14AWG (13053695), white
- 2) Junction Box for Calumma
- 3) SJTW 6x 14AWG (13053480), black
or
Cable SJTW 6x 14AWG (13053695), white
or
Scope of Others



Note: This type of connection is available for S, M, L, and XL versions. E-Box has to be in Pass Through mode only.

DALI

- 1) SJTW 5x 14AWG (13053336), Standard 1 m with bare-end, black
or
Cable SJTW 5x 14AWG (13053697), white
- 2) SJTW 5x 14AWG (13053336), black
or
Cable SJTW 5x 14AWG (13053697), white
or
Scope of Others
- 3) Junction Box for Calumma



CONNECTIVITY

Following table shows maximum connected Calummas S MC in a row with respect of cable length.

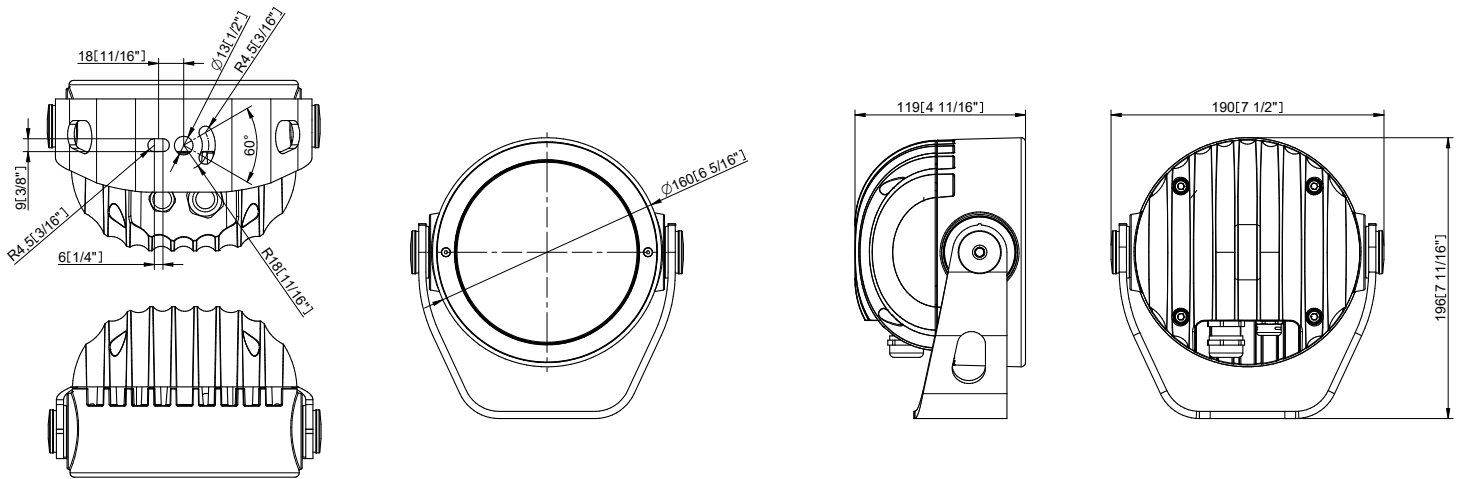
	Cable length (m)	Voltage (V)			
		120	190	230	277
CALUMMA S MC	10	32	32	32	32
	20	32	32	32	32
	30	32	32	32	32
	50	26	32	32	32
	70	18	32	32	32
	100	13	32	32	32

PROJECTED AREA

	Front (rear) - m ²	Front (rear) ft ²	Side - m ²	Side - ft ²	Top - m ²	Top - ft ²
Calumma S	0,023	0,250	0,019	0,207	0,018	0,196
with Top Hat	0,023	0,250	0,027	0,290	0,027	0,290
with Half Top Hat	0,023	0,250	0,022	0,232	0,027	0,290

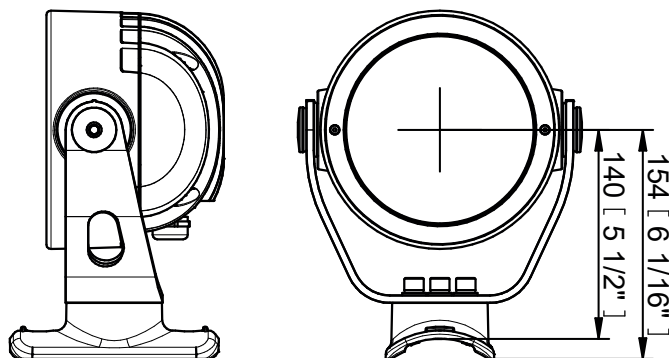
DIMENSIONS

Standard Yoke



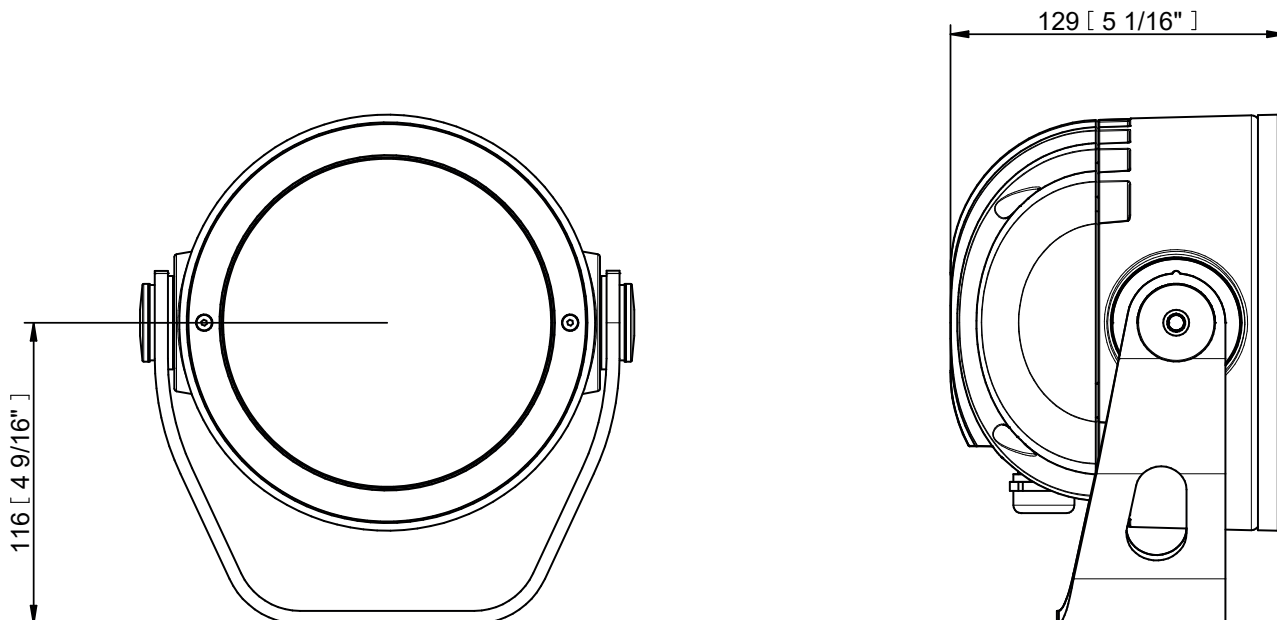
Yoke for Pole Adaptor (with Pole Adaptor / PA)

Example of ordering code: Calumma S MC RGBCW 15° PA



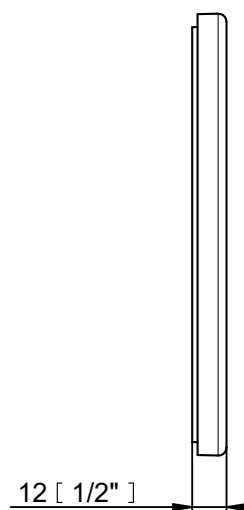
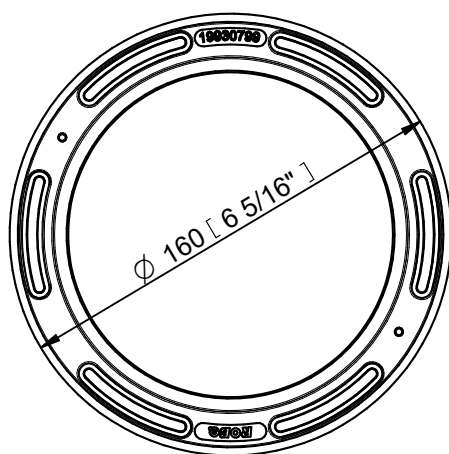
Outdoor Foil Holder for Calumma S „OFH“ version only (for permanent installation)

Example of ordering code: Calumma S MC CE RGBCW 9° RAL9007 OFH

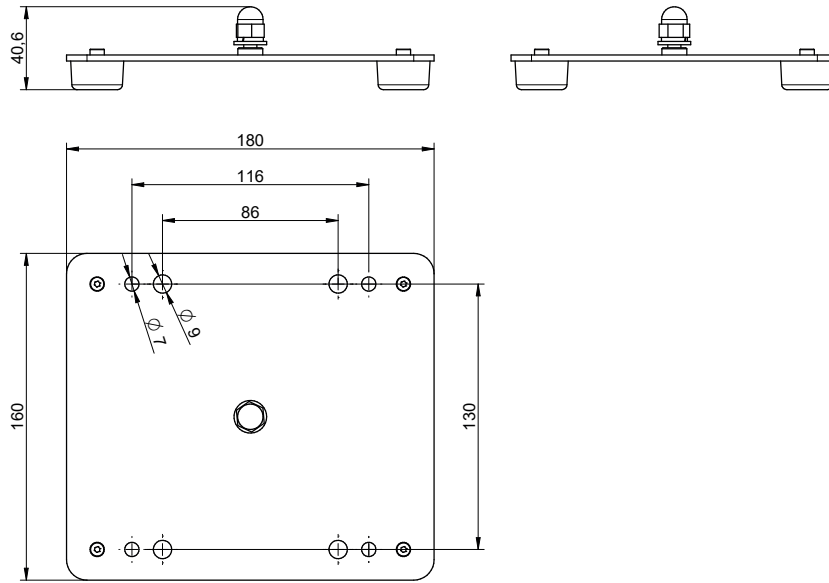


ACCESSORIES

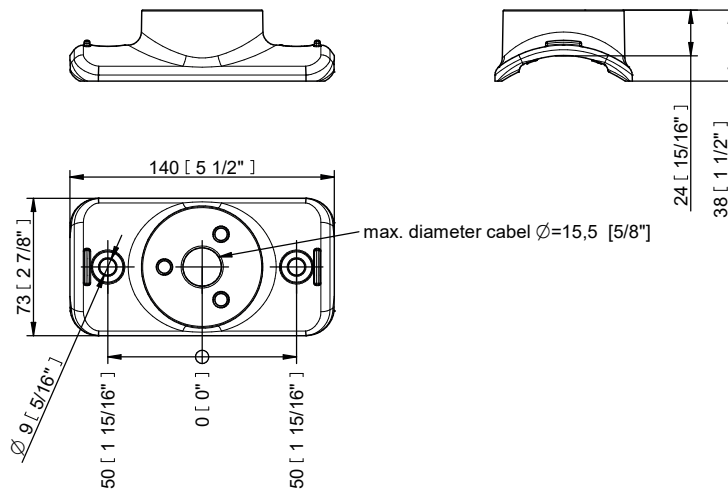
Outdoor Foil Holder for Calumma S



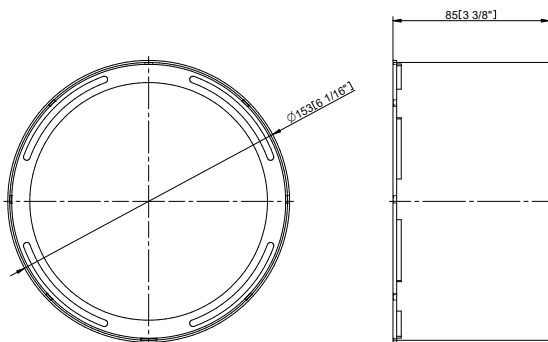
Floor Stand



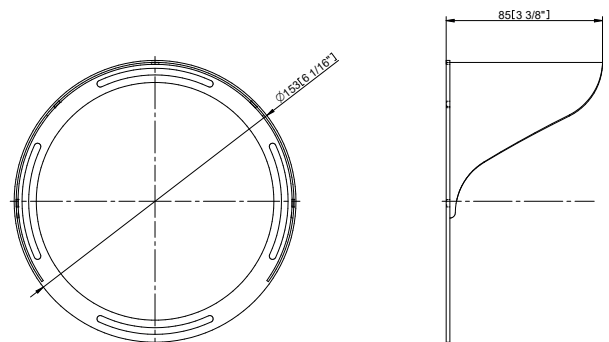
Pole Adaptor



Top Hat



Half Top Hat

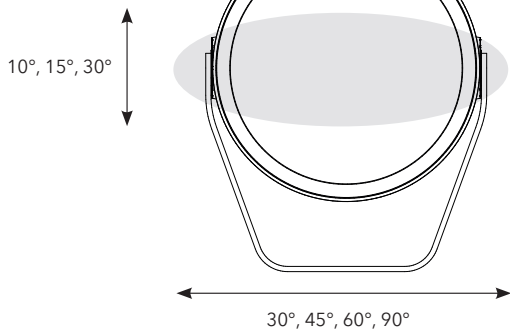


PHOTOMETRIC OVERVIEW

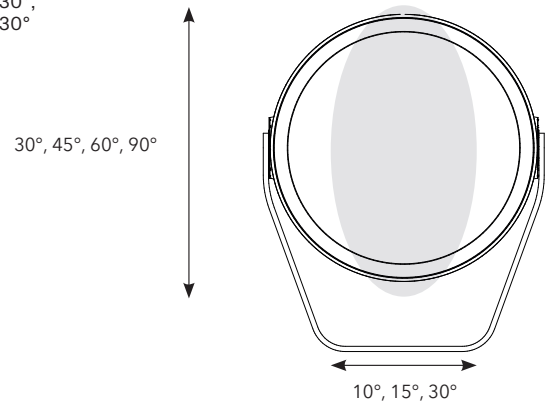
	Lumen Output (lm)		
	RGBCW (W 6500 K)	RGBA	WW (W 3000 K)
9°	993	852	847
15°	768	659	655
25°	762	653	650
30°	751	644	640
45°	761	653	649
65°	761	653	649
100°	753	646	642
10° x 30°, 30° x 10°	720	617	614
10° x 60°, 60° x 10°	800	686	682
15° x 45°, 45° x 15°	815	699	695
30° x 60°, 60° x 30°	757	649	645
30° x 90°, 90° x 30°	816	700	696
15° x 90°, 90° x 15°	904	773	769

BI-SYMMETRICAL BEAM ANGLES

Bi-symmetrical:
10°x30°,
10°x60°,
15°x45°,
15°x90°,
30°x60°,
30°x90°

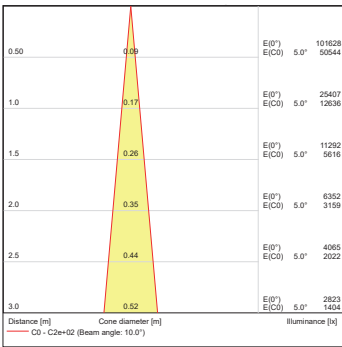
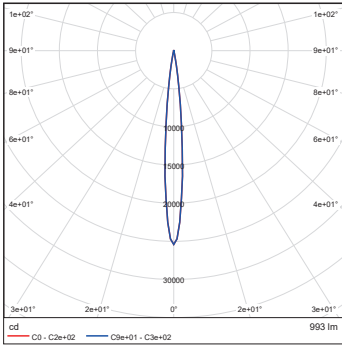


Bi-symmetrical:
30°x10°,
60°x10°,
45°x15°,
90°x15°,
60°x30°,
90°x30°

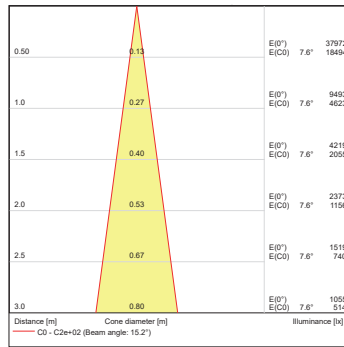
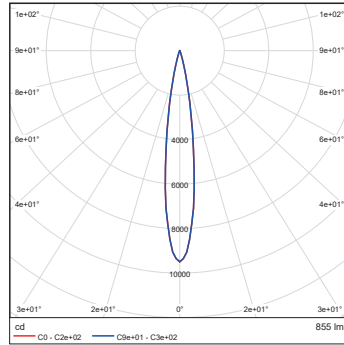


PHOTOMETRIC DATA

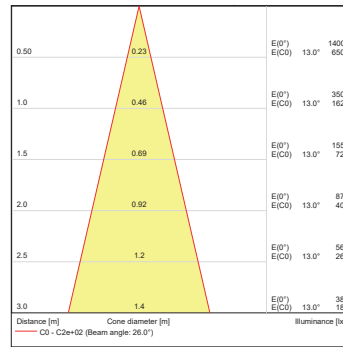
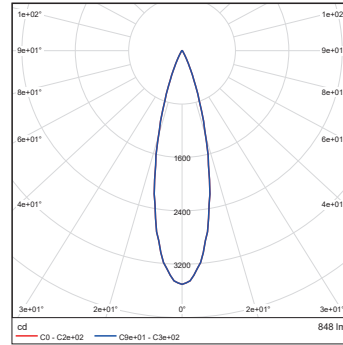
Calumma S MC RGBW 6500K 10dg



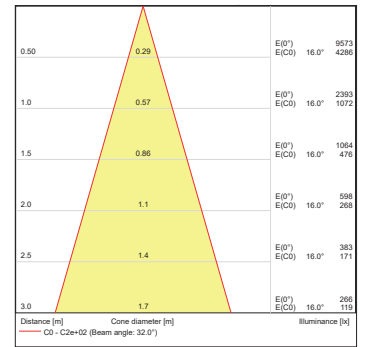
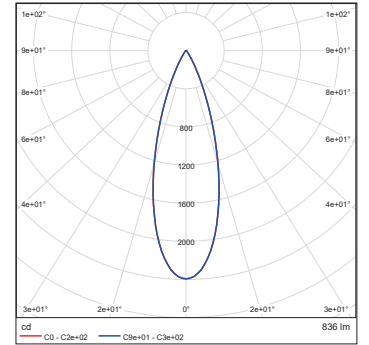
Calumma S MC RGBW 6500K 15dg



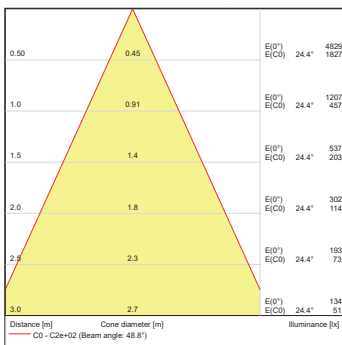
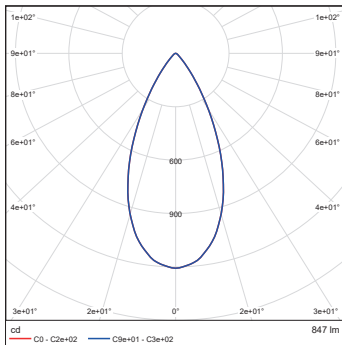
Calumma S MC RGBW 6500K 25dg



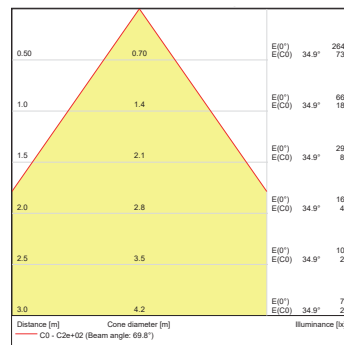
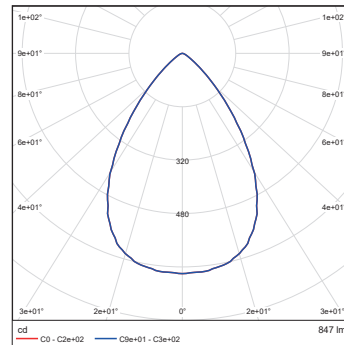
Calumma S MC RGBW 6500K 30dg



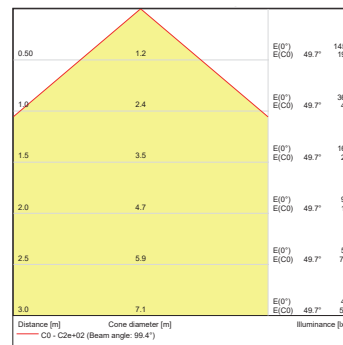
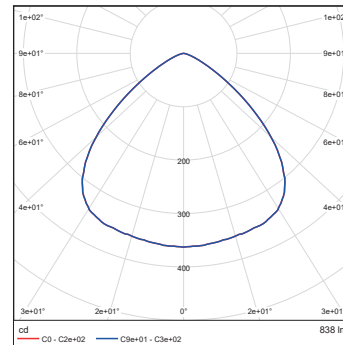
Calumma S MC RGBW 6500K 45dg



Calumma S MC RGBW 6500K 65dg

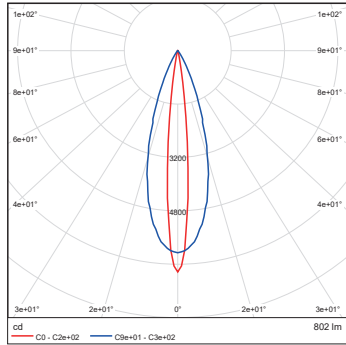


Calumma S MC RGBW 6500K 100dg

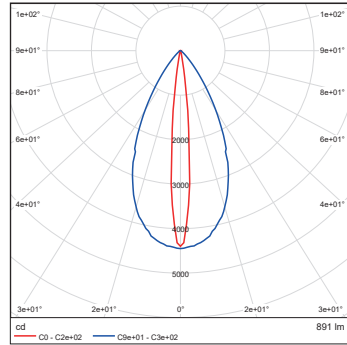


PHOTOMETRIC DATA

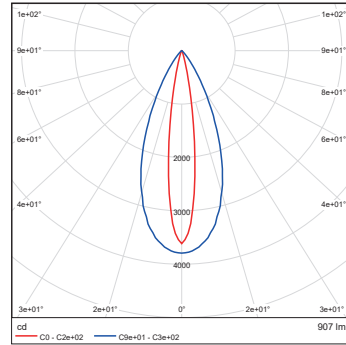
Calumma S MC RGBW 6500K
10x30dg



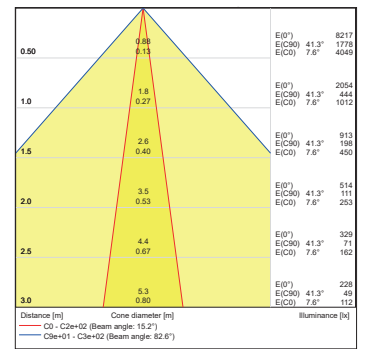
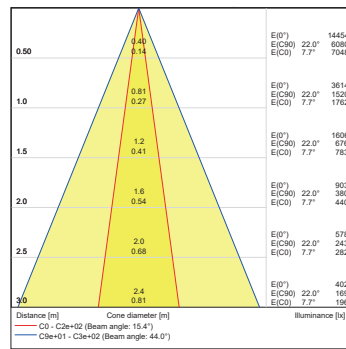
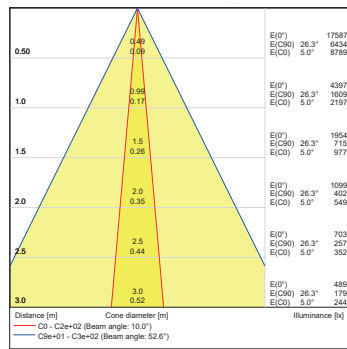
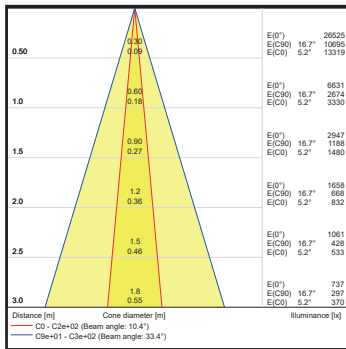
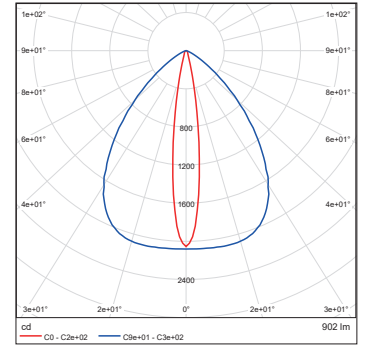
Calumma S MC RGBW 6500K
10x60dg



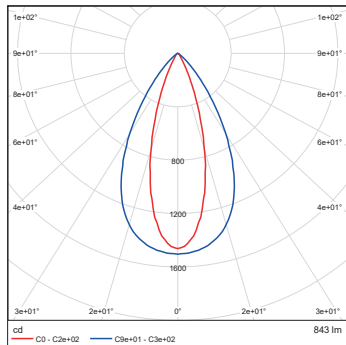
Calumma S MC RGBW 6500K
15x45dg



Calumma S MC RGBW 6500K
15x90dg



Calumma S MC RGBW 6500K
30x60dg



Calumma S MC RGBW 6500K
30x90dg

