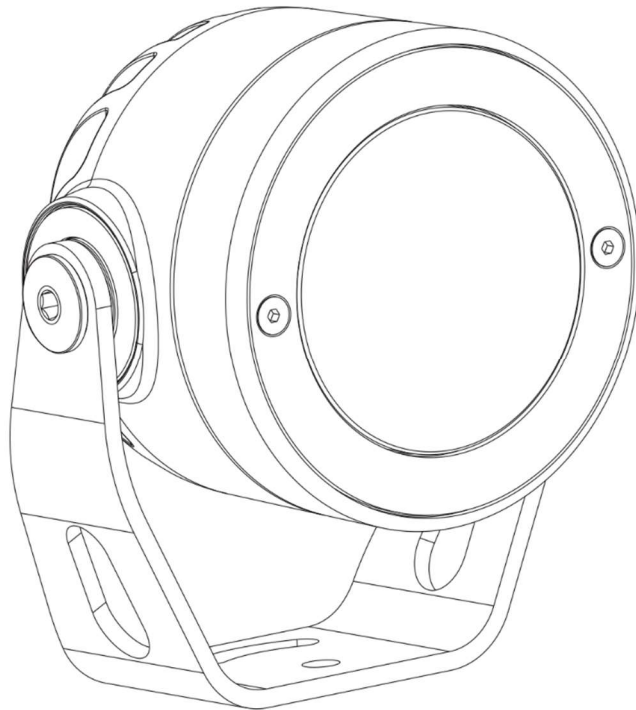


# Calumma XS MC Calumma XS SC



QR code for user manual



## Table of contents

1. Safety instructions .....	3
2. Fixture exterior view .....	5
3. Control and connection .....	5
3.1 Power On/Off.....	8
4. Installation .....	9
4.1 Mounting the fixture .....	9
4.2 Connection to power .....	10
4.3 Outdoor foil holder installation .....	16
4.4 Example of Control panel in RDM manager.....	18
5. Software update .....	20
6. Technical specifications .....	22
7. Cleaning and maintenance .....	27
7.1 Disposing of the product .....	27
8. ChangeLog .....	28

**FOR YOUR OWN SAFETY, PLEASE READ THIS USER MANUAL CAREFULLY  
BEFORE POWERING OR INSTALLING YOUR Calumma !  
Save it for future reference.**

This device has left our premises in absolutely perfect condition. In order to maintain this condition and to ensure safe operation, it is absolutely necessary for the user to follow the safety instructions and warnings written in this manual.

The manufacturer will not accept liability for any resulting damages caused by the non-observance of this manual or any unauthorized modification to the device.

Unauthorized modification will void warranty.

## 1. Safety instructions

**DANGEROUS VOLTAGE CONSTITUTING A RISK OF ELECTRIC SHOCK IS PRESENT WITHIN THIS UNIT!**

Always disconnect the fixture from power before cleaning, servicing or installing.

This fixture should be operated only from the type of power source indicated on the marking label. If you are not sure of the type of power supplied, consult your authorized distributor or local power company.

Always disconnect the fixture from AC power before servicing or cleaning.

Make sure the power/data cable is not damaged by sharp edges.

Do not install the unit near an open flame.

Refer servicing to qualified service personnel.

Do not connect this fixture to a dimmer pack.

This fixture falls under protection class III.

**LED light emission. Risk of eye injury. Do not look into the beam from a short distance without suitable protective eyewear. Do not look at LEDs with magnifiers or similar optical instruments that may concentrate the light output.**

The fixture was designed for outdoor use. This fixture must not be used for underwater installation.

When choosing the installation spot, please make sure that the fixture is not exposed to extreme heat or dust.

Avoid using the unit in locations subject to possible impacts.

The fixture body never must be covered with cloth or other materials when the fixture is under operation.

Only operate the fixture after having checked that the housing is firmly closed and all screws are tightly fastened.

## Calumma XS

The fixture becomes hot during operation. Allow the fixture to cool approximately 30 minutes prior to servicing or maintenance.

Please consider that unauthorized modifications on the fixture are forbidden due to safety reasons!

Please use the original packaging if the fixture is to be transported.

If this device will be operated in any way different to the one described in this manual, the product may suffer damages and the warranty becomes void. Furthermore, any other operation may lead to dangers like short-circuit, burns, electric shock etc.

The product (covers and cables) must not be exposed to a high frequency electromagnetic field higher than 3V/m.

Immunity of the equipment is designed according to the standard EN 55035 Electromagnetic compatibility of multimedia equipment - Immunity requirements

Emission of the equipment complies with the standard EN55032 Electromagnetic compatibility of multimedia equipment – Emission Requirements according to class B.

Contains FCC ID: 2A6PL-DMXRDMRW001

Contains IC: 29573-DMXRDMRW001

This device complies with part 15 of the FCC Rules. Operation is subject to the following two conditions: (1) This device may not cause harmful interference, and (2) this device must accept any interference received, including interference that may cause undesired operation.

Changes or modifications not expressly approved by the party responsible for compliance could void the user's authority to operate the equipment.

The [Device] wireless operation is safe and complies to RF Exposure requirements.

This equipment has been tested and found to comply with the limits for a Class B digital device, pursuant to part 15 of the FCC Rules. These limits are designed to provide reasonable protection against harmful interference in a residential installation. This equipment generates, uses and can radiate radio frequency energy and, if not installed and used in accordance with the instructions, may cause harmful interference to radio communications. However, there is no guarantee that interference will not occur in a particular installation. If this equipment does cause harmful interference to radio or television reception, which can be determined by turning the equipment off and on, the user is encouraged to try to correct the interference by one or more of the following measures:

- Reorient or relocate the receiving antenna.
- Increase the separation between the equipment and receiver.
- Connect the equipment into an outlet on a circuit different from that to which the receiver is connected.
- Consult the dealer or an experienced radio/TV technician for help.

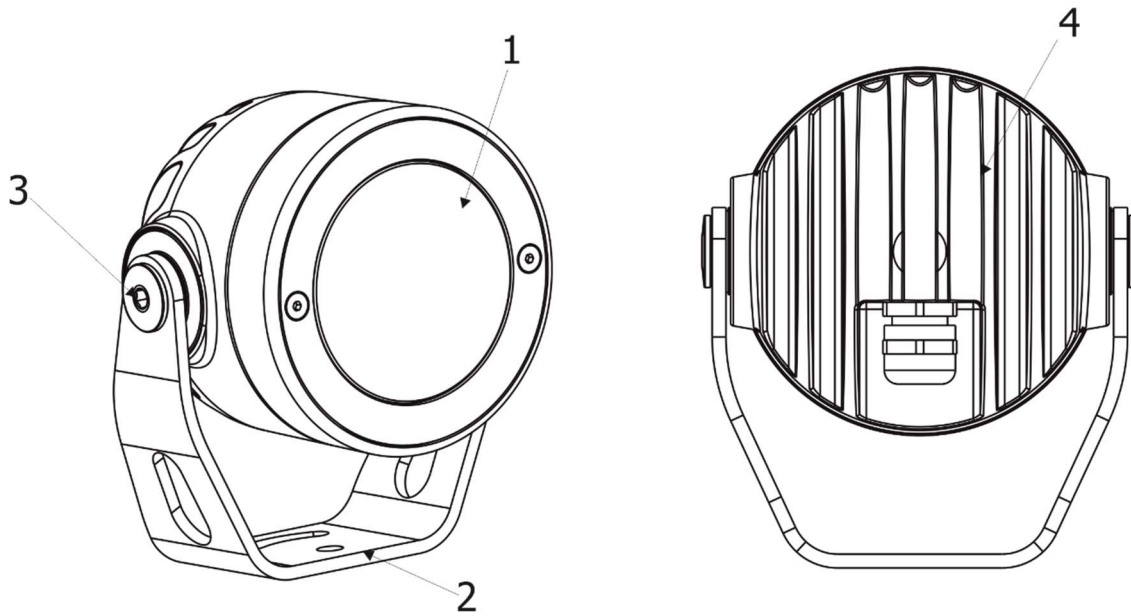
***Warning for fixtures with Harsh Environment Finish (HEF):***

***Handle with care!***

***Avoid any damage to the painted surface.***

***Damaging the paint may result in corrosion and loss of warranty.***

## 2. Fixture exterior view



1. Transparent glass cover
2. Mounting yoke
3. Tilt adjusting lock
4. LED module with heat sink

## 3. Control and connection

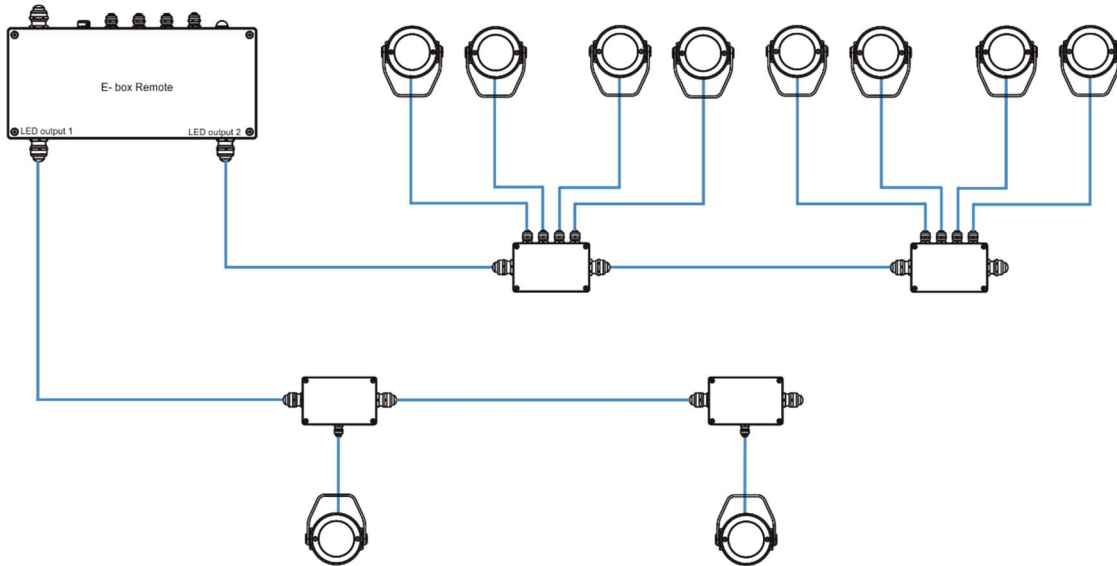
The Calumma XS modules should be connected to the E-Box Remote or E-Box Remote basic via junction boxes. The Calumma XS modules have to be operated in Pass-Through mode.



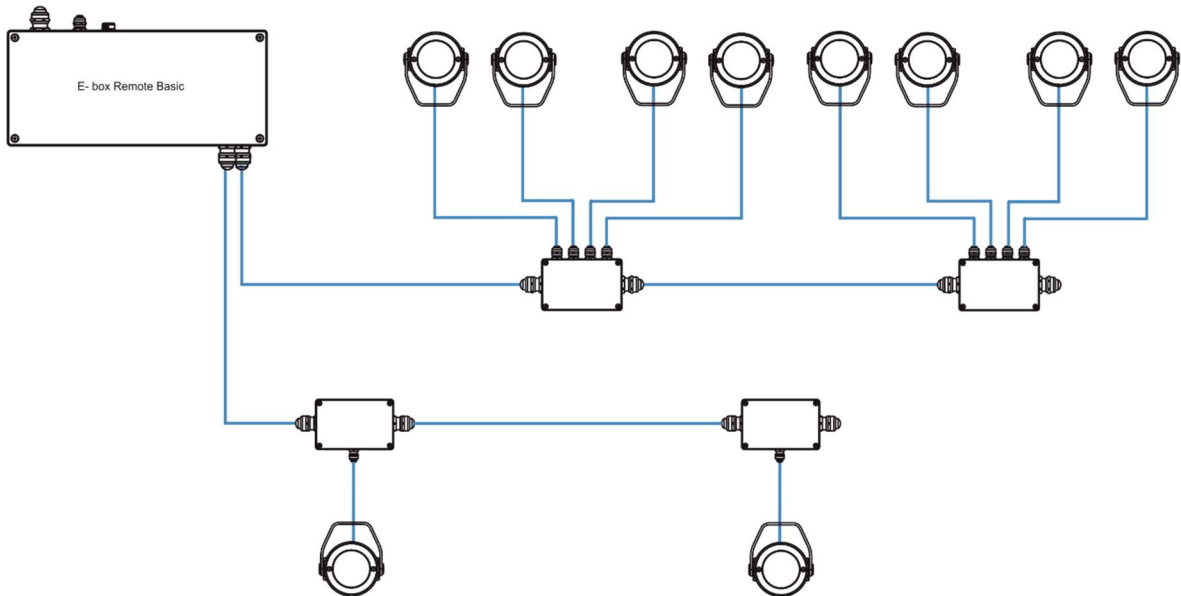
**The E-box Remote has to be switched to the Pass-Through mode.**

Example of connection with E-box Remote

### Calumma XS

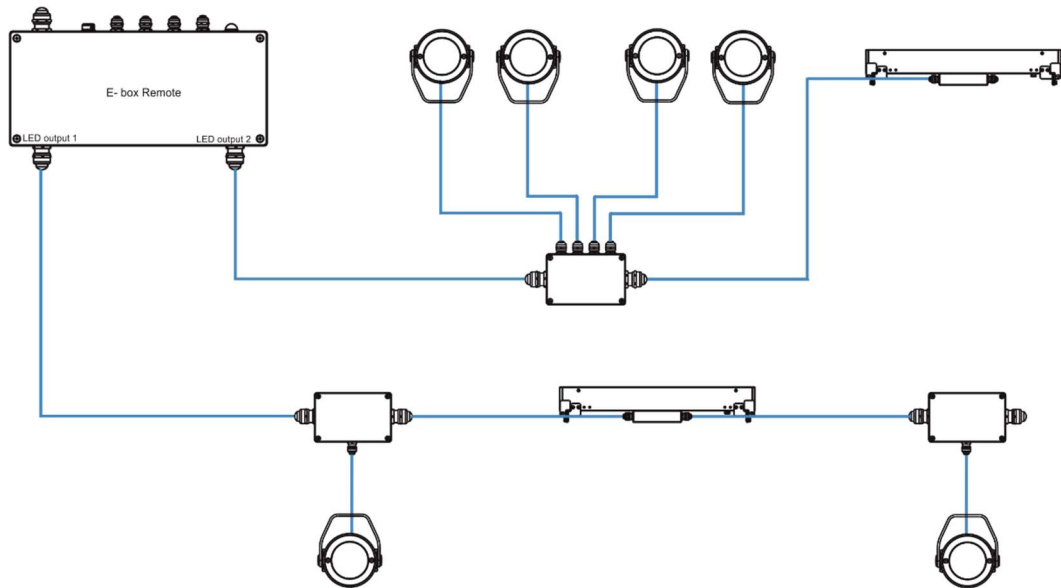


### Example of connection with E-box Remote Basic



Note. Combination of Calummas XS and Emineres Remote is also possible.  
Example:

### Calumma XS



From point of view of driver load (E-box Remote/E-box Remote Basic), max. number of Calummas connected to one E-box Remote/E-box Remote Basic is 40 but Calummas XS have to be operated in the Pass-through mode, it means that max. 32 Calummas XS can be connected in one string.  
 Max. number of Calummas XS connected to the E-box Remote/E-box Remote Basic also depends on cable length.

#### E-box Remote

Cable length *	Max. number of Calummas XS
50 m	25 per output, 40 in total
100 m	20 per output, 40 in total

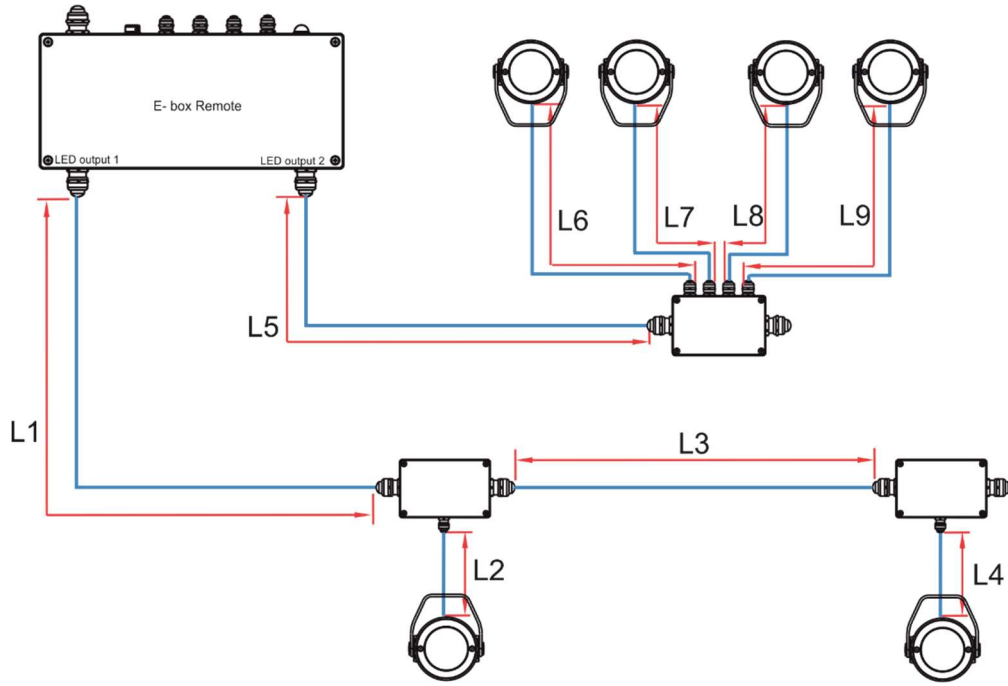
#### E-box Remote Basic

Cable length *	Max. number of Calummas XS
50 m	25
100 m	20

\* Cable length is a total cable length on both LED outputs.

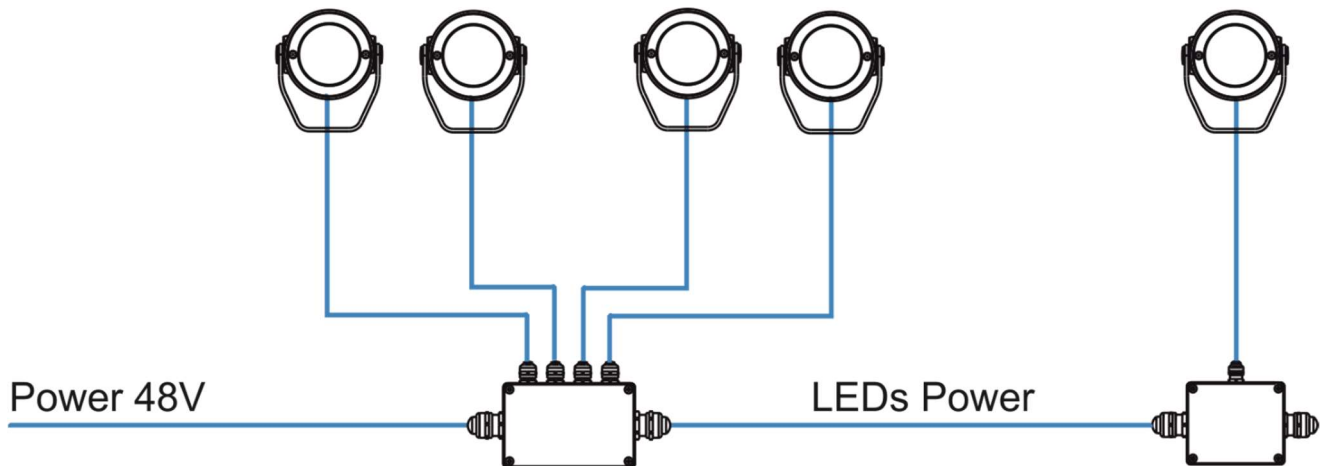
Example:

### Calumma XS



Total cable length=L1+L2+L3+L4+L5+L6+L7+L8+L9

### 3.1 Power On/Off






## Calumma XS

**Note:** This type of connection is available for single chip (SC) versions only – pure white or single colour. Non dimmable.

LEDs Input voltage: 48V


### Calumma XS Power On/Off connection

CE

Connector	Vcc	D+	D-	0V	
Function	LEDs +	Not connected	Not connected	LEDs -	Not connected
Colour of wire	Red	-	-	Black	-

Colours of wires apply to the 5-cored cable UL 20969 5x 20AWG (P/N 13053481).

US

Connector	Vcc	D+	D-	0V	
Function	LEDs +	Not connected	Not connected	LEDs -	Not connected
Colour of wire	Red	-	-	Black	Yellow/green

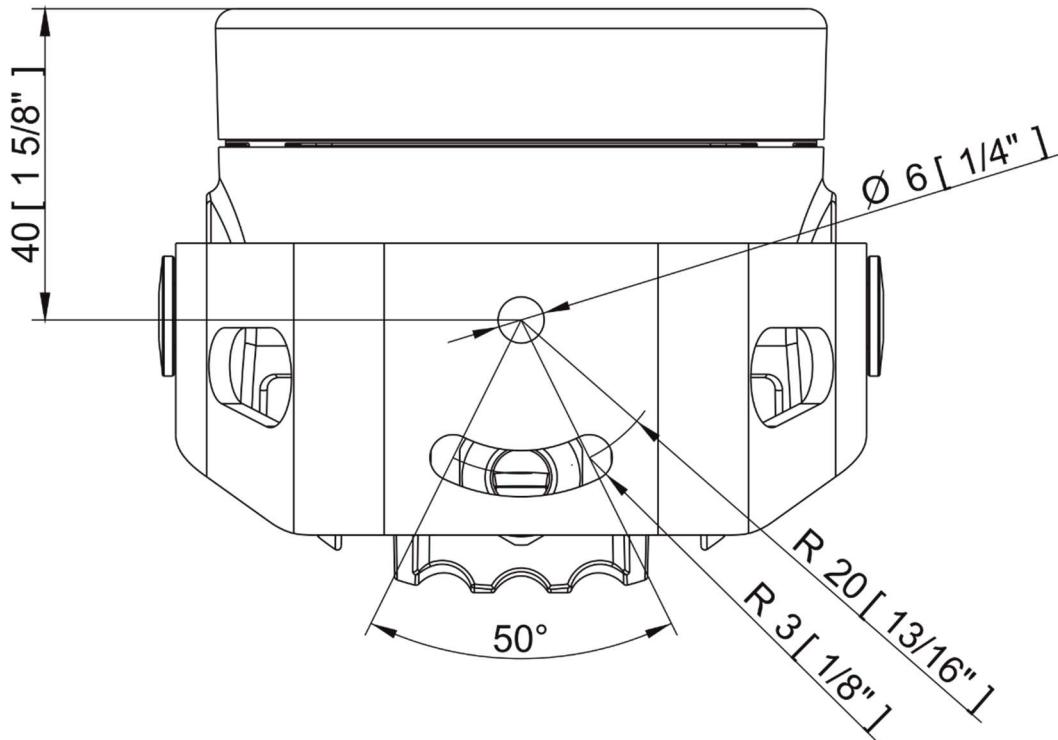
Colours of wires apply to the 5-cored cable UL 20969 5x 20AWG (P/N 13053481).

## 4. Installation

### 4.1 Mounting the fixture

The Calumma can be fastened in any orientation on a flat, non-flammable surface by means of mounting yoke (2).

## Calumma XS



The LED module (4) can be tilted +180°/-180°. Use an Allen key 2.5 for adjusting a LED module position.

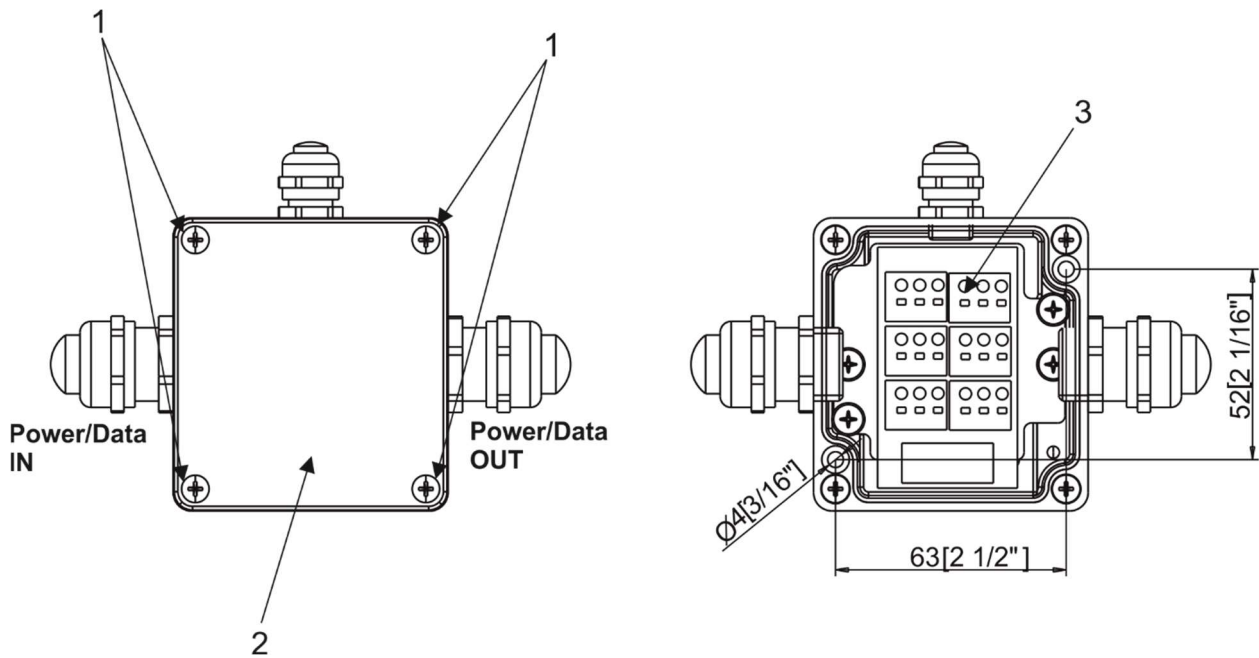
***Ensure that the structure to which you are attaching the fixture is secure.***

## 4.2 Connection to power

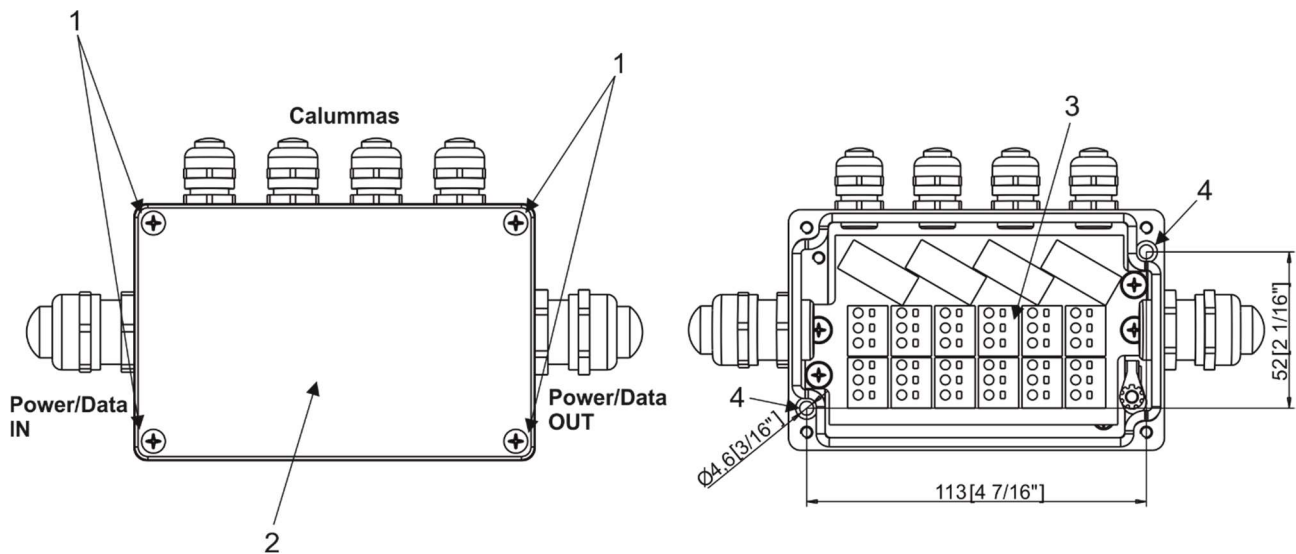
***The unit must be installed by a qualified electrician in accordance with all national and local electrical and construction codes and regulations.***

### Junction box installation

#### Junction box with one output



#### Junction box with four outputs



**1.** Unscrew the four screws (1) from the cover (2) on the junction box to get access to the DPS with terminal blocks (3) and two mounting holes (4).

**2.** Screw the junction box on a non-flammable flat surface.

**3.** Connect cables to terminal blocks.

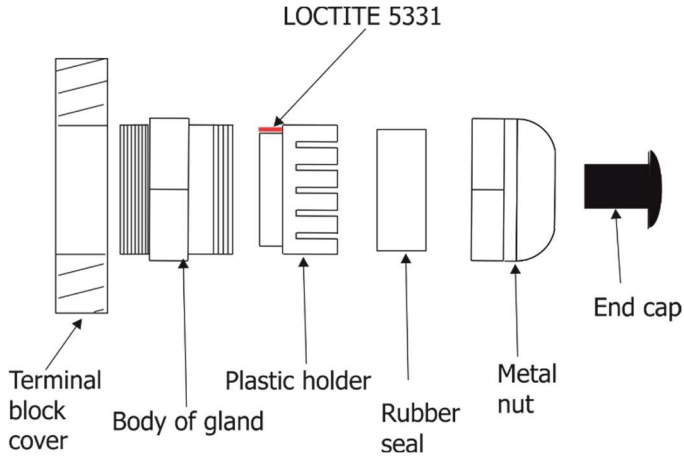
Two cable glands M20 x 1.5 serves for a power/data cable. One (or four) cable gland M12 x 1.5 serves for Calumma XS connection cable.

Remove the end cap from the cable gland before passing the cable.

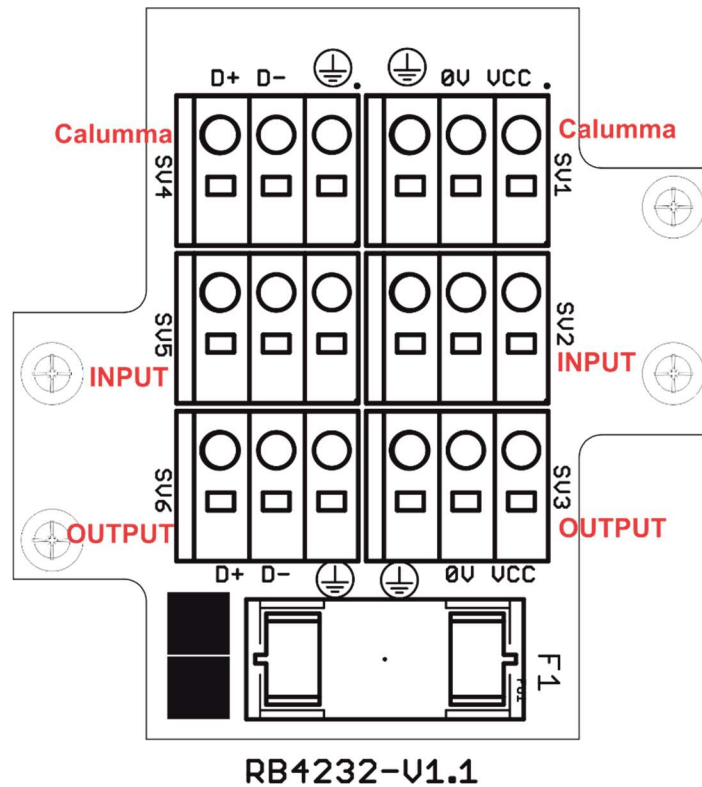
## Calumma XS

We recommend to apply an adequate layer of the paste LOCTITE 5331 on the plastic holder of the cable gland before inserting it into the body of the gland.

### Cable gland M20x1.5 and M12x1.5



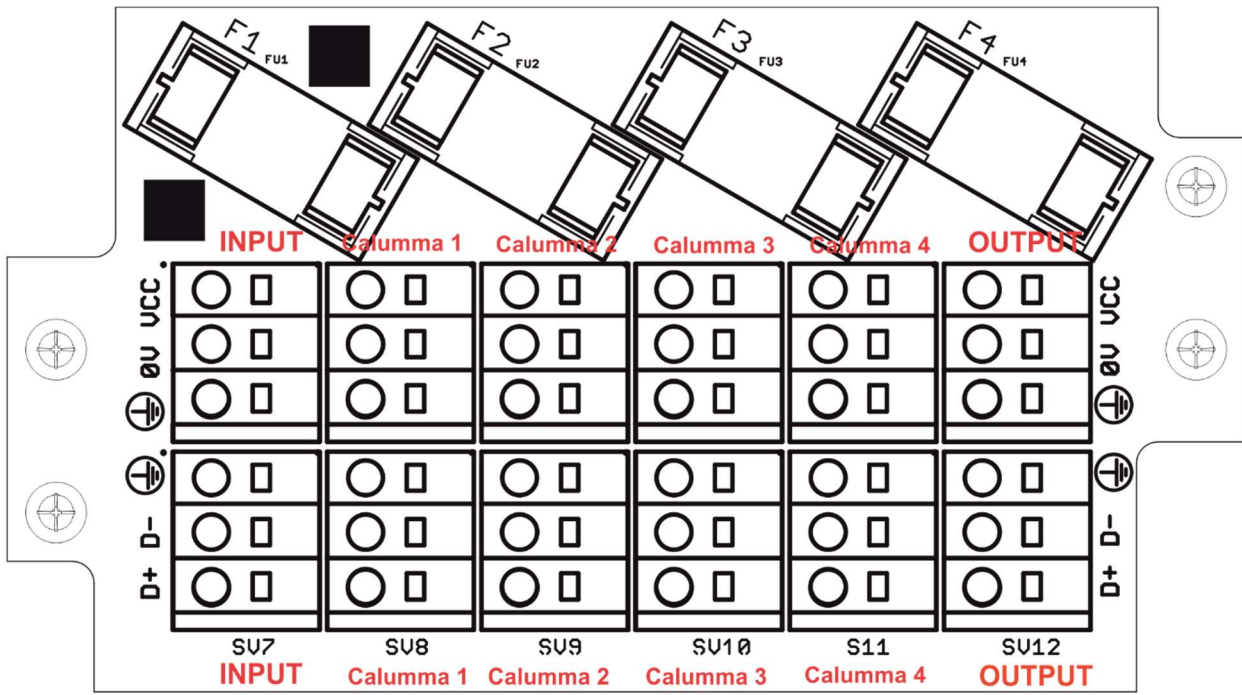
Wiring of connection blocks on DPS RB4232 in the junction box with one LED output.



Fuse F1: 2A/500V AC.

Wiring of connection blocks on DPS RB4233 in the junction box with four LED outputs.

### Calumma XS



### RB4233-V1.1

Fuse F1-F4: 2A/500V AC.

#### Calumma XS connection

CE

Connector	Vcc	D+	D-	0V	⊥
Function	LEDs +	Data +	Data -	LEDs -	Not connected
Colour of wire	Red	Orange	White	Black	-

Colours of wires apply to the 5-cored cable UL 20969 5x 20AWG (P/N 13053481)

US

Connector	Vcc	D+	D-	0V	⊥
Function	LEDs +	Data +	Data -	LEDs -	Not connected
Colour of wire	Red	Orange	White	Black	Yellow/green

Colours of wires apply to the 5-cored cable UL 20969 5x 20AWG (P/N 13053481)

#### Connection between junction box and E-box Remote and among junction boxes

CE

Connector	Vcc	D+	D-	0V	⊥
Function	LEDs +	Data +	Data -	LEDs -	Not connected
Colour of wire	Red	Orange	White	Black	-

Colours of wires apply to the 5-cored cable SJTW 5x 14AWG (P/N 1305 3336).

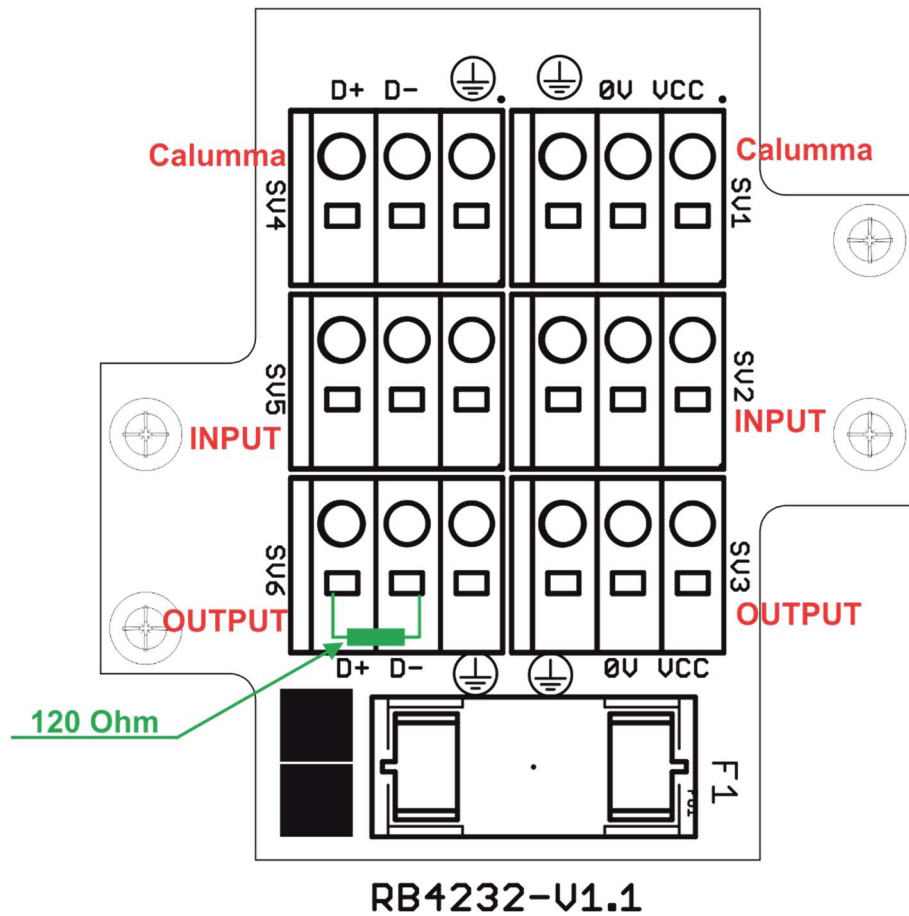
US

## Calumma XS

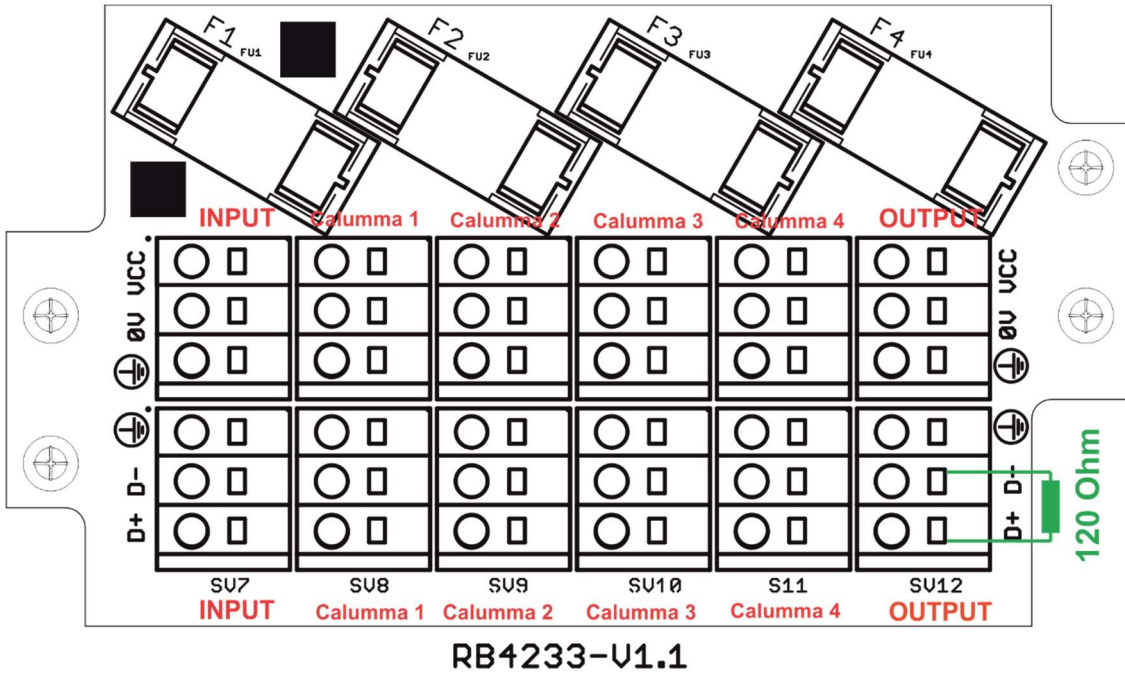
Connector	Vcc	D+	D-	0V	⊕
Function	LEDs +	Data +	Data -	LEDs -	Not connected
Colour of wire	Red	Orange	White	Black	Yellow/green

Colours of wires apply to the 5-cored cable SJTW 5x 14AWG (P/N 1305 3336).

**⚠ NOTE:** Each DMX line of Calummas XS connected to the LED output of the E-box Remote has to be terminated at the last fixture. Connect a 120 Ohm resistor between terminals D+ and D- in the last junction box.  
Example:



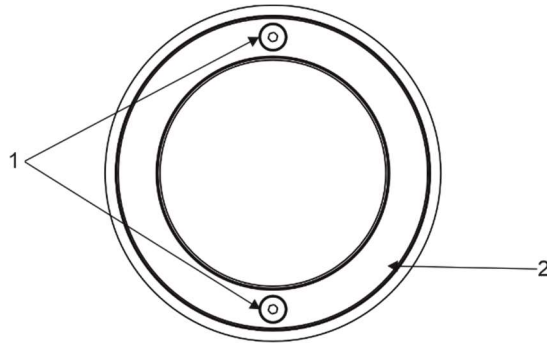
# Calumma XS



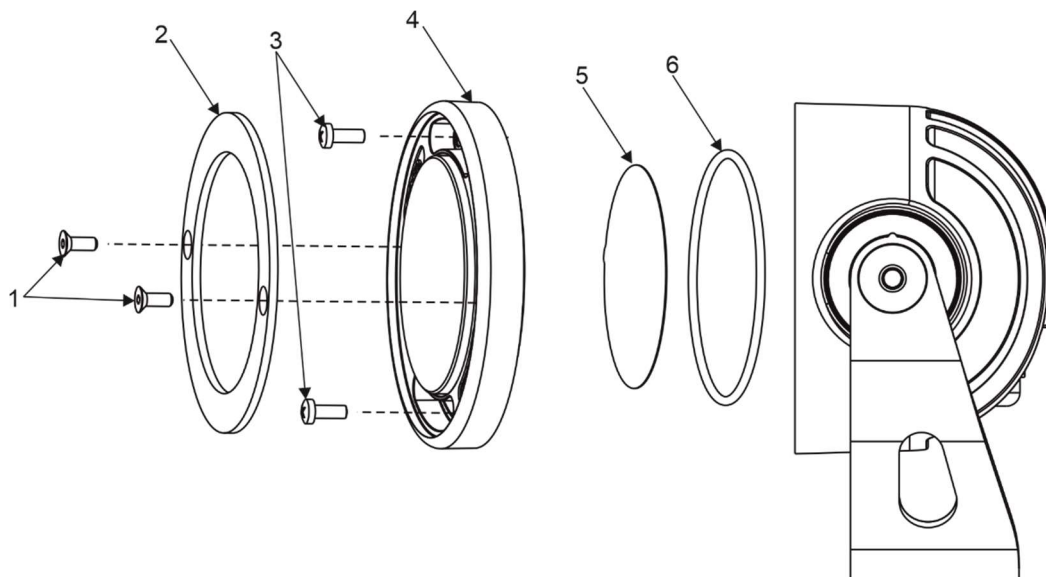
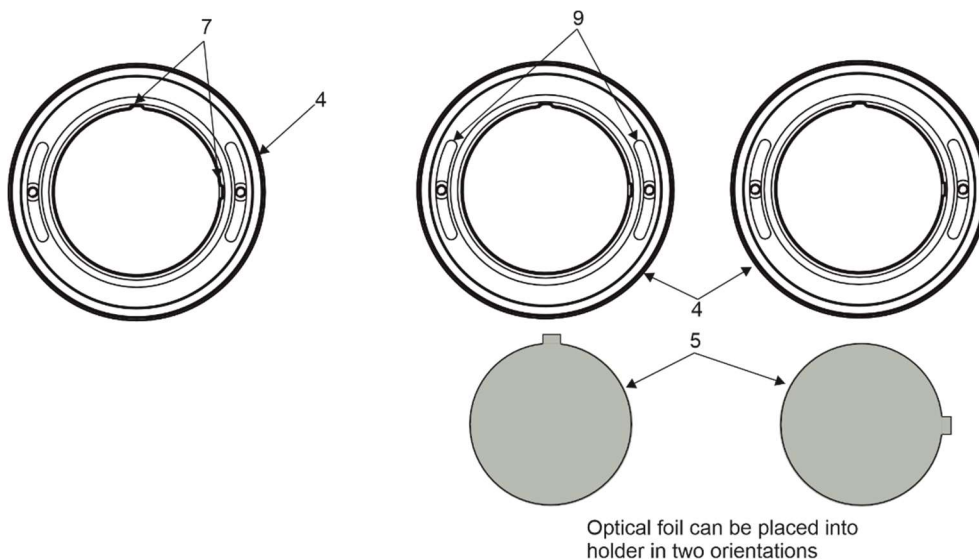
4. Screw the cover (2) back on the junction box.

### 4.3 Outdoor foil holder installation

1. Close the light output from the Calumma.
2. Unscrew the two flat-head screws M3x8, DIN 799, A4 (1) from the front side of the Calumma and remove the flange (2).

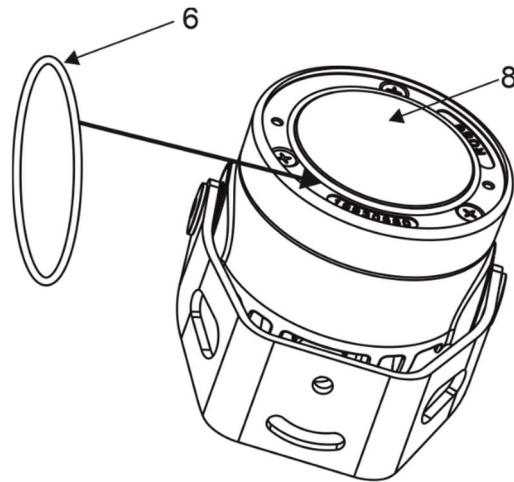


3. Place the optical foil (5) to the outdoor foil holder (4). The optical foil has to be inserted by its protrusion to the groove (7) in the outdoor foil holder (4).  
Two grooves (9) in the outdoor foil holder (4) allow for further rotation of the optical foil. It is useful for case you are using bi-symmetrical or asymmetrical foil (light output from the Calumma has to be enabled at adjusting the optical foil position).





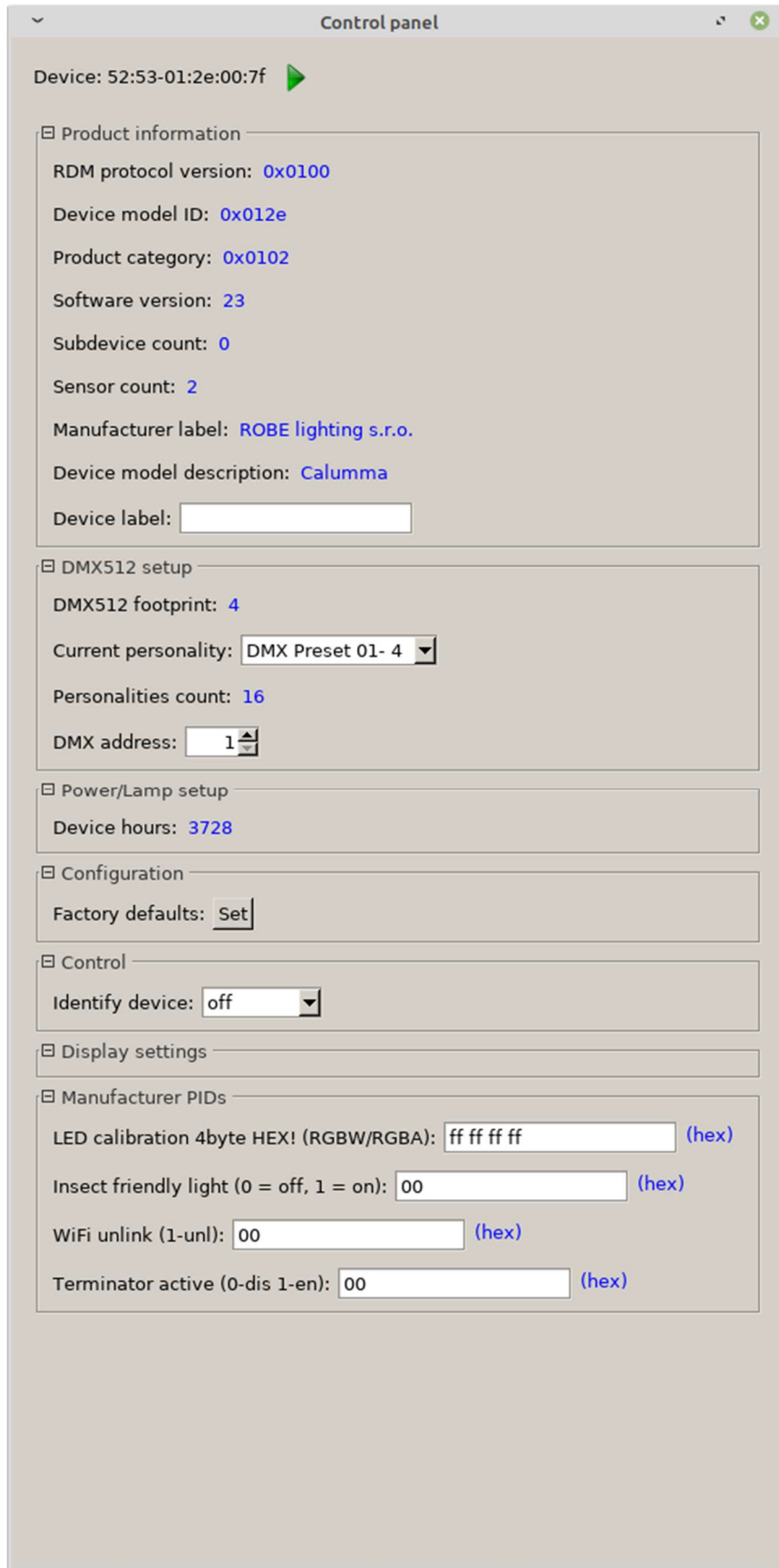
## Calumma XS




4. Place the gasket circle (5) around the covering glass (8) and screw the outdoor foil holder (4) with the optical foil on the Calumma by means of two hex socket head screws M3x8, DIN 7985, A4 (3). Use a tightening torque 0.5 Nm.
5. Screw the flange (2) back on the Calumma by means of two flat-head screws M3x8, DIN 7991, A4 (1), use a tightening torque 1 Nm.

#### 4.4 Example of Control panel in RDM manager

The software RDM manager is available on the ROBE website (<https://www.robe.cz/support>), product RUNIT WTX.



Green arrow  saves changes made in the Control panel to the Calumma.

### Manufacturer PIDs

LED calibration 4byte HEX! (RGBW/RGBA) - the item shows 4 bytes of calibration values for calibrated white colours of RGBW(RGBA) Calumma.

E.g.



CTC channel has to be set to some calibrated white colour (21 DMX-1800K, 66 DMX-2700K, 91 DMX-3200K, 141 DMX-4200K, 211 DMX-5600K, 255 DMX-6500K) otherwise the item shows values "ff ff ff ff" (and calibration values cannot be saved to the Calumma).

#### **Warning!**

**Changing and saving values in this item will affect calibrated white colour(s) of the Calumma .**

Insect friendly light - the item effects RGBA Calumma only. If the item is on, blue colour is not used in calibrated white colours. This modification of white lights results in a smaller attraction of white light for insects (mosquitos, moths..). The function is also available from DMX chart (channel Special Function, range 7-10 DMX).

WiFi unlink - the item is inactive for Calumma XS.

Terminator active - the item inactive for Calumma XS

## 5. Software update

Software update of Calumma XS modules has to be done by means of the software ROBE Uploader running on PC. The ROBE Uploader is a software for automatized software update of ROBE fixtures. The ROBE Uploader switches Calummas XS to the update mode automatically.

Please see <https://www.robe.cz/robe-uploader/> for more information.

**Note:** CalummaXS modules in ON/OFF connection cannot be updated.

The Calummas XS have to be operated in the Pass-Through mode only.

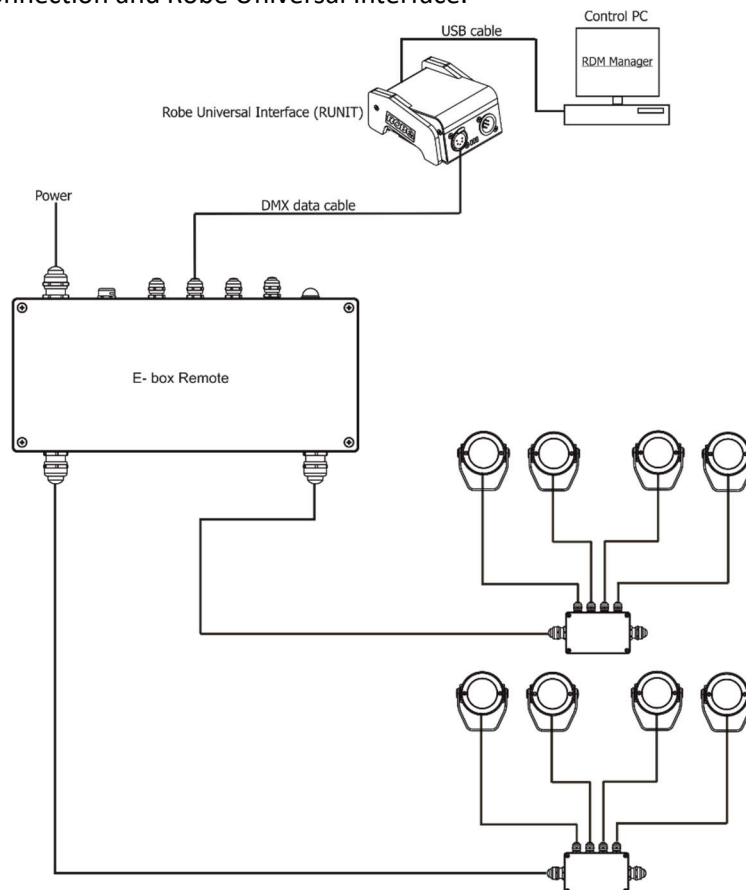
To update Calummas XS including the E-box Remote.

1. Update connected LED modules by means of the file Calumma.lib in the ROBE Uploader.
2. Set the E-box Remote to the Standard mode and switch it off/on. Use the file EminereEbox.lib in the ROBE Uploader for software update of the E-box Remote.
3. After updating the E-box Remote, set the E-box Remote to the Pass-Through mode and switch it off/on.

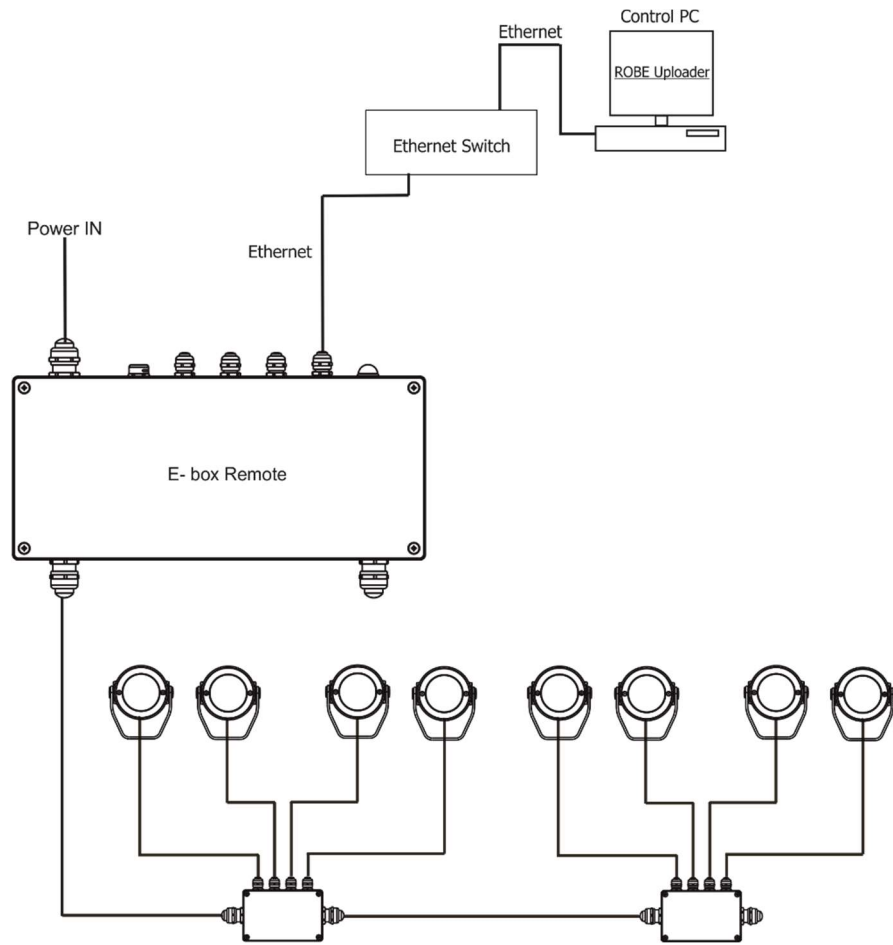
For more information about updating please see the E-box Remote user manual and E-box Remote Base user manual.

### Examples of connection for software update

1. By means of DMX connection and Robe Universal Interface.



2. By means of the Ethernet connection



## 6. Technical specifications

### Power supply

- Input voltage: 48 V
- Power consumption:
  - Calumma XS MC: 10 W
  - Calumma XS SC: 10 W

### Optic

- Light source:
  - Calumma XS MC: one high power multichip LEDs
  - Calumma XS SC: 4 x high power single chip LED
- Colour variants Calumma XS MC: RGBW (W - 6500 K), RGBA, PW (W - 3000 K)
- Colour variants Calumma XS SC: PW (W - 3000 K)
- Beam Angle Calumma XS MC:
  - Symmetrical: 9°, 12°, 15°, 25°, 30°, 45°, 65°, 100°
  - Bi-symmetrical: 10° x 30°, 30° x 10°, 10° x 60°, 60° x 10°, 15° x 45°, 45° x 15°, 15°x90°, 90°x15°, 30°x60°, 60°x30°, 30°x90°, 90°x30°
- Beam Angle Calumma XS SC:
  - Symmetrical: 10°, 15°, 25°, 30°, 45°, 65°, 100°
  - Bi-symmetrical: 10° x 30°, 30° x 10°, 10° x 60°, 60° x 10°, 15° x 45°, 45° x 15°, 15°x90°, 90°x15°, 30°x60°, 60°x30°, 30°x90°, 90°x30°
- Projected Lumen Maintenance: L90B10 >90.000 hrs, Ta = 25°C / 77°F

### Compatible drivers

- E-box Remote
- E-box Remote Basic

### Mounting method

- Via yoke
- Adjustability: -180°/+180°

### Housing

- High pressure die-cast aluminium body
- Tempered glass

### Cooling system

- Convection

### Total heat dissipation

- Calumma XS MC: 25 BTU/h (calculated)
- Calumma XS SC: 25 BTU/h (calculated)

### Protection factor

- CE: IP 67 (IP 66 junction box)
- US: Suitable for wet location

### Impact rating

- IK10

### Operating ambient temperature range

- -20°C /+40°C (-4°F /+104°F)

## Calumma XS

### Connection

- Via E-box Remote/E-box Remote Basic  
Calumma IN: cable UL 20969 5x 20AWG (P/N 13053481), length 1m standard, bare end  
Interconnecting cable between junction boxes: SJTW 5x 14AWG (P/N 13053336)  
Junction Box for Calumma XS, (1x Output)  
Junction Box for Calumma XS, (4x Output)

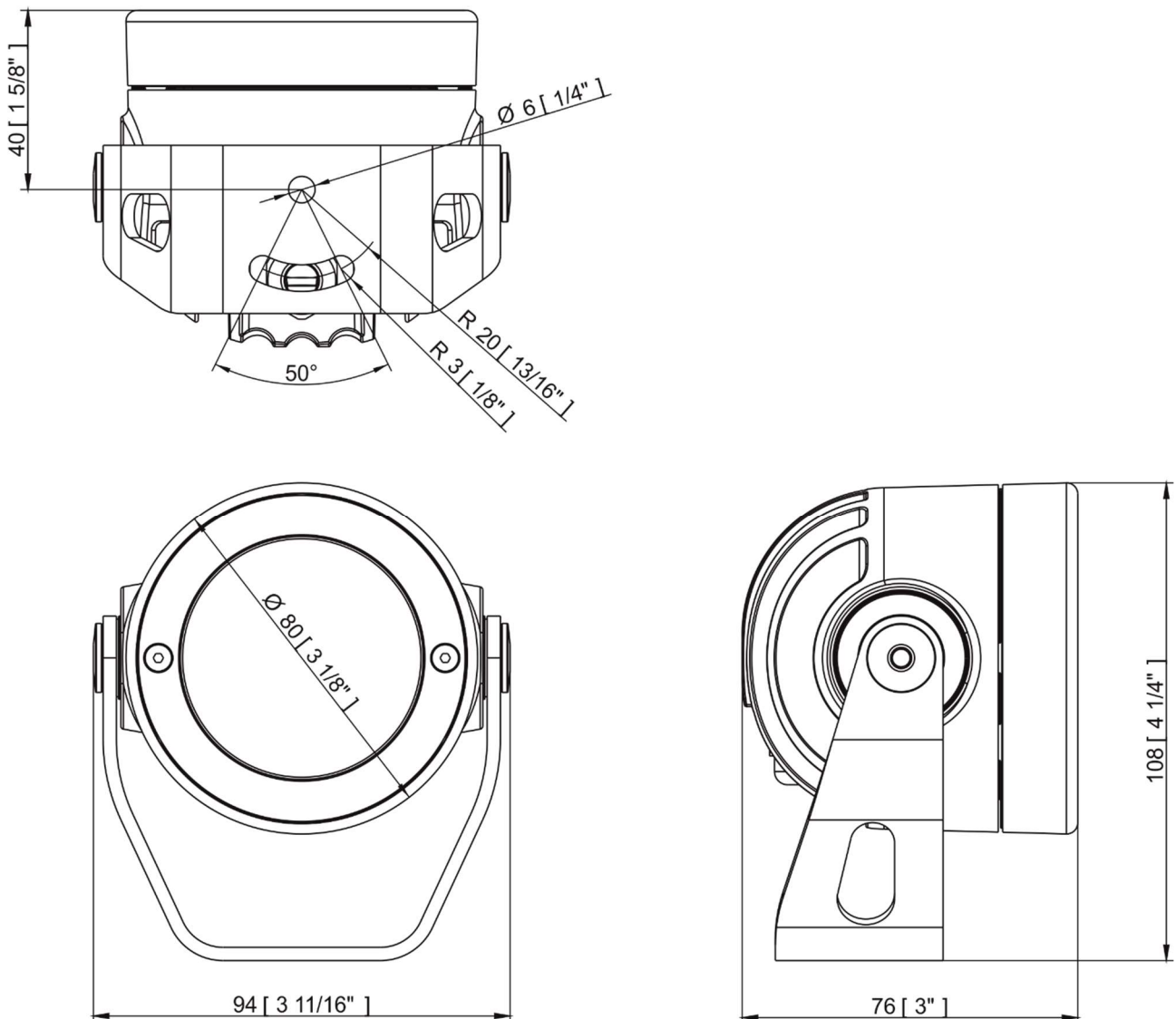
### Connection On/Off

- Calumma IN: cable UL 20969 5x 20AWG black (P/N 13053481), length 1m standard  
Interconnecting cable between junction boxes: SJTW 5x 14AWG (P/N 13053336)  
Junction Box for Calumma XS, (1x Output)  
Junction Box for Calumma XS, (4x Output)

### Weight

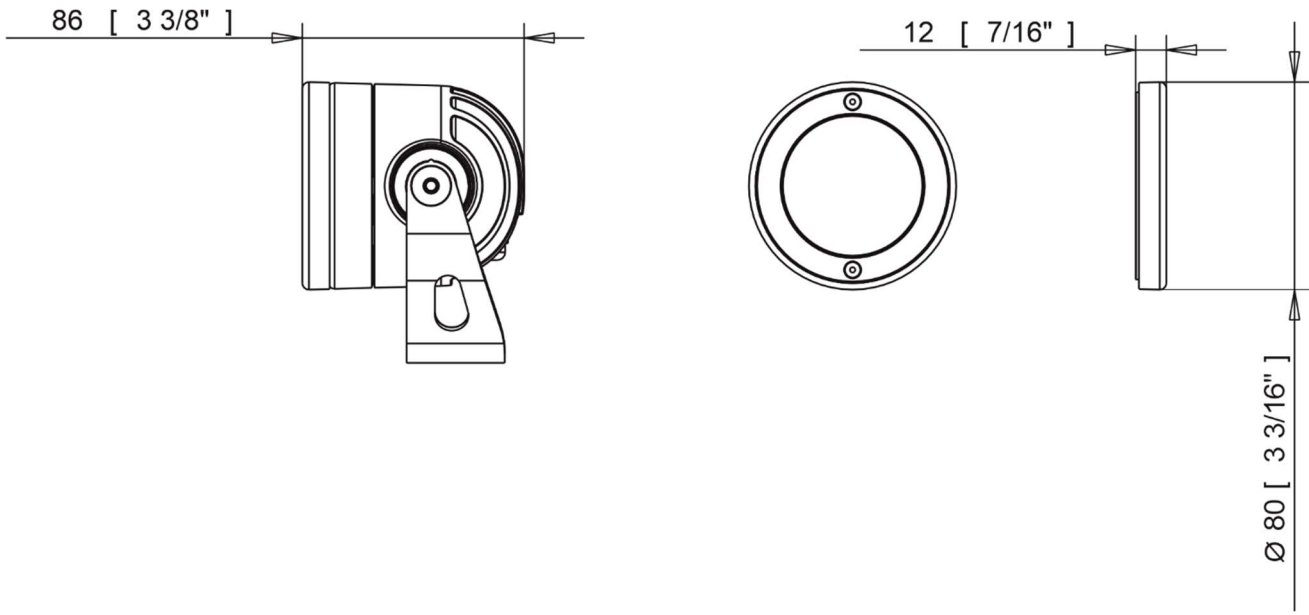
- Calumma XS MC: 0.59 kg (1.3 lbs)
- Calumma XS SC: 0.6 kg (1.3 lbs)

### Dimensions (All dimensions in mm [inch])

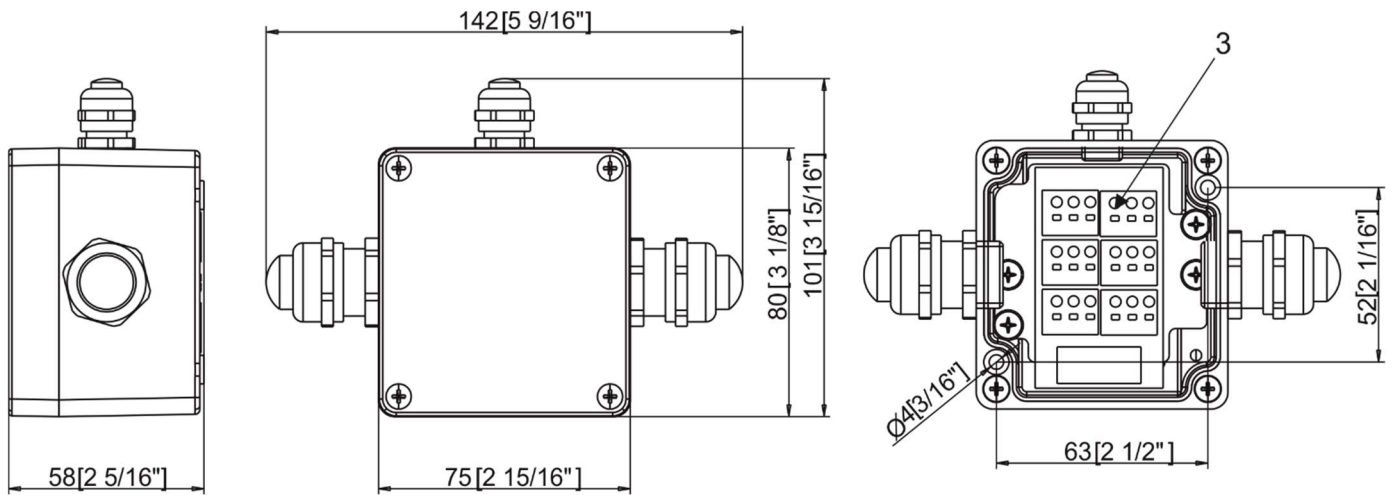


# Calumma XS

## Calumma XS with Outdoor Foil Holder



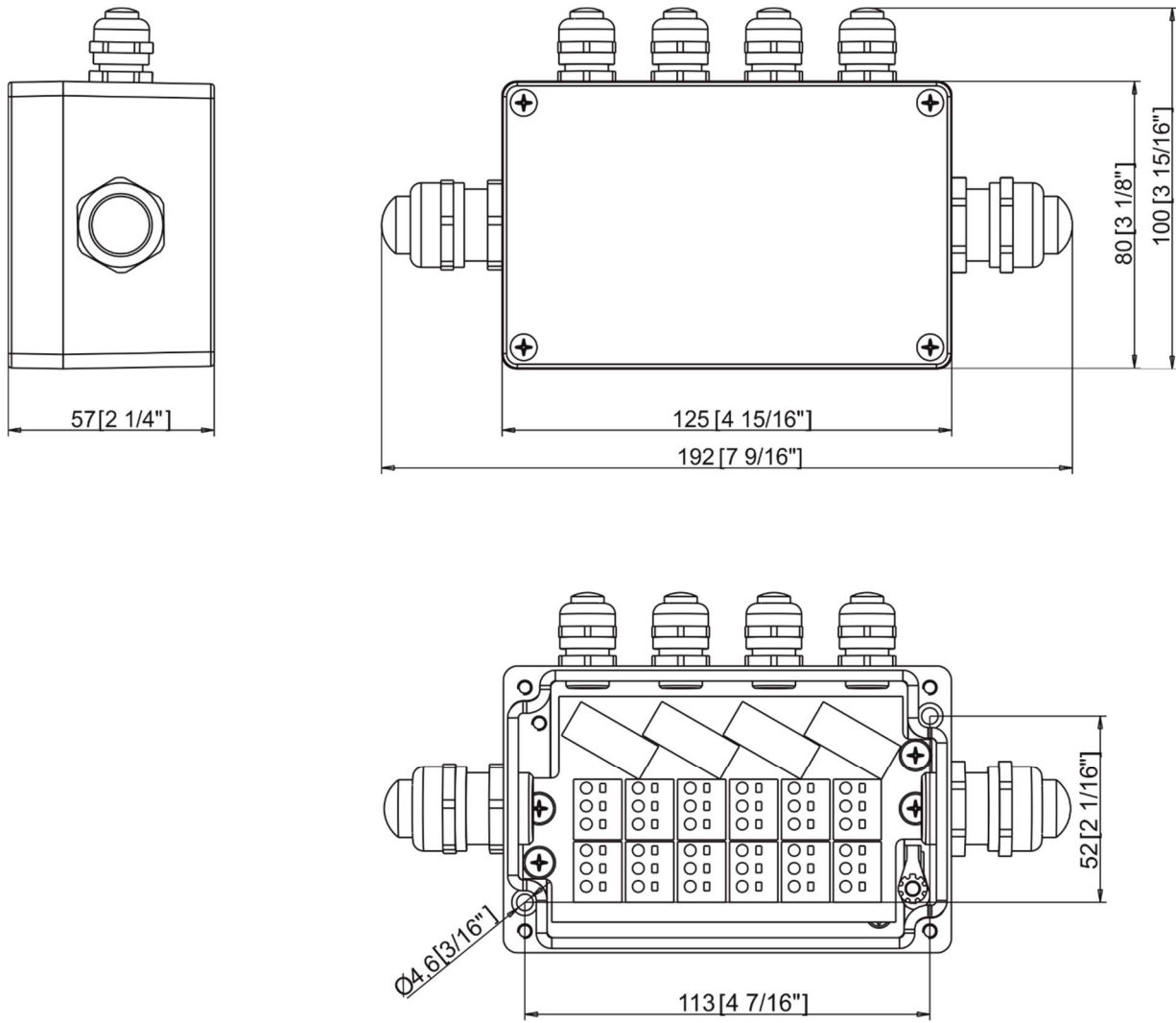
## Junction box with one output



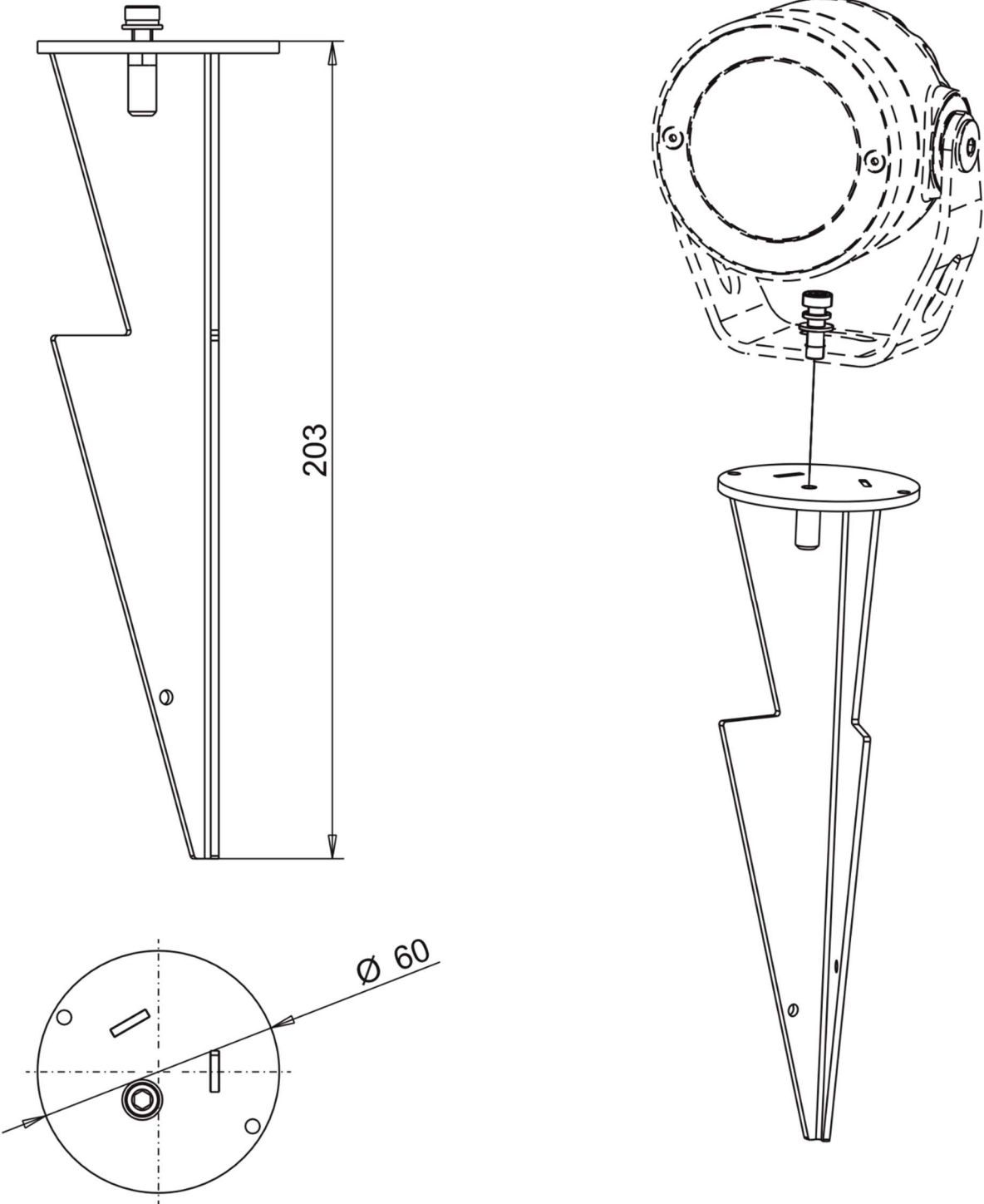


Calumma XS

Junction box with four outputs



Land Spike



### Included items

- 1 x Calumma XS MC / Calumma XS SC
- 1 x User manual

### Optional accessories

Top Hat Calumma XS RAL9011 (P/N 10980732)

Half Top Hat Calumma XS RAL9011 (P/N 10980736)

Tenon Adaptor for Calumma XS

Pole Mount Bracket for Calumma XS

Junction Box for Calumma XS, 1x Output, Ral 9011 (P/N 10980715)

Junction Box for Calumma XS, 4x Output, Ral 9011 (P/N 10980716)

Land Spike for Calumma XS RAL6008 (P/N 10981031)

Outdoor Foil Holder for Calumma XS RAL9011 (P/N 10981056)

Outdoor Foil Holder for Calumma XS RAL6008 (P/N 10980973)

Optical Foil Set for Outdoor Foil Holder Calumma XS (P/N 10981004)

## 7. Cleaning and maintenance

***DANGER !***

***Disconnect from the mains before starting any maintenance or cleaning work***

Rinse off loose dirt with low pressure water spray. Wash the housing with a soft brush or sponge and a mild, non-abrasive washing detergent. Rinse it.

Maintenance and service operations are only to be carried out by a qualified person.

Should you need any spare parts, please use ROBE OEM parts.

### 7.1 Disposing of the product

To preserve the environment please dispose or recycle this product at the end of its life according to the local regulations and codes.

## 8. ChangeLog

This section summarizes changes in the user manual.

Version of manual	Date of issue	Description of changes
1.1	13/09/2022	Junction box connection change
1.2	13/10/2022	DMX chart ver. 1.1 added
1.3	14/10/2022	Numbers of connected Calummas to E-box changed
1.4	05/01/2022	Description of the software update changed
1.5	10/02/2023	DMX chart ver. 1.2 added
1.6	22/02/2023	Cable gland installation changed
1.7	10/03/2023	Beam angle 12° added at MC version
1.8	17/03/2023	EMC notes added
1.9	17/04/2023	DMX line termination more specified
1.10	03/07/2023	On/Off operation added
1.11	11/09/2023	Total cable length specification changed
1.12	11/01/2024	On/Off connection changed, DMX connection changed
1.13	23/01/2024	Control panel of RDM manager added, DMX chart ver. 1.3
1.14	16/02/2024	Notice about Protection class III added to Safety instructions
1.15	26/04/2024	Connection in junction box changed
1.16	14/06/2024	Land Spike added to optional accessories
1.17	07/08/2024	Calumma US connection changed
1.18	26/09/2024	Outdoor Foil Holder for Calumma added

*Specifications are subject to change without notice.*

*September 26, 2024*

*Copyright © 2022-2024 Robe Lighting - All rights reserved*

Made in CZECH REPUBLIC by ROBE LIGHTING s.r.o. Palackeho 416/20 CZ 75701 Valasske Mezirici

## DMX protocol for Calumma - All sizes - MC and SC

Version: 1.3 (16 modes in total)

Mode/Channels in all								Mode 1- RGBW(A)-8bit, Mode 2- RGB 8-bit, Mode 3- full RGBW(A)	
1	2	3	4	5	6	7	8-10	Mode 4- White-full control, Mode 5- Reduced RGBW(A)	
4	3	12	3	6	8	15	Reserved	Mode 6- Reduced RGBW(A)+white control, Mode 7- Full control	
								Mode 7-Full RGBW(A)+virt. Colour wheel	
								RGBW/RGBA/RGB modes	
Mode/channels							DMX Value	Function	Type of control
1	2	3	4	5	6	7			
-	-	-	-	-	-	1		<b>Special functions</b>	
							0	No function <i>To activate following functions , stop in DMX value for at least 3 sec.</i>	step
							1-2	Save current DMX values to fixture as initial DMX values.	step
							3-4	Show saved initial DMX values	step
							5-6	Run factory demo sequences at switching fixture on (without DMX)	step
							7-8	Insect friendly light On (RGBA version only)	step
							9-10	Insect friendly light Off (RGBA version only)	step
							11-255	Reserved	
1	1	1	-	1	1	2		<b>Red</b>	
							0 - 255	Red LEDs saturation control (0-100%)	proportional
-	-	2	-	-	-	3		<b>Red Fine</b>	
							0 - 255	Red LEDs saturation control fine	proportional
2	2	3	-	2	2	4		<b>Green</b>	
							0 - 255	Green LEDs saturation control (0-100%)	proportional
-	-	4	-	-	-	5		<b>Green Fine</b>	
							0 - 255	Green LEDs saturation control fine	proportional
3	3	5	-	3	3	6		<b>Blue</b>	
							0 - 255	Blue LEDs saturation control (0-100%)	proportional
-	-	6	-	-	-	7		<b>Blue Fine</b>	
							0 - 255	Blue LEDs saturation control fine	proportional
4	-	7	-	4	4	8		<b>White (Amber)</b>	
							0 - 255	White LEDs saturation control (0-100%)	proportional
-	-	8	-	-	-	9		<b>White (Amber) Fine</b>	
							0 - 255	White LEDs saturation control fine	proportional
-	-	9	1	-	5	10		<b>Green correction</b>	
							0	Uncorrected white	step
							1-127	Minus green - uncorrected white	proportional
							128	Uncorrected white (128=default)	step
							129-255	Uncorrected white - Plus green	proportional
-	-	10	2	-	6	11		<b>Colour temperature correction (CTC)</b>	
							0	No function	step
							1 - 10	Tungsten dimming 2700 K	step
							11 - 20	Tungsten dimming 3200 K	step
							21-255	Colour temperature changing from 1800 K --> 6500 K (21-1800K, 66-2700K, 91-3200K,141-4200K, 211-5600K, 255-6500K)	proportional
-	-	-	-	-	-	12		<b>Virtual Colour Wheel</b>	
							0	No function	step

DMX protocol

Mode/channels							DMX Value	Function	Type of control
1	2	3	4	5	6	7			
							1-2	White 1800 K	step
							3-4	White 2700 K	step
							5-6	White 3200 K	step
							7-8	White 4200 K	step
							9-10	White 5600 K	step
							11-12	White 6500 K	step
							13	Blue (Blue=full, Red+Green+White/Amber=0)	step
							14-23	Red=0, Green->up,Blue =full, White/Amber=0	proportional
							24	Cyan (Red=0, Green=full, Blue =full, White/Amber=0)	step
							25-34	Red=0, Green=full, Blue->down, White/Amber=0	proportional
							35	Green (Red=0, Green=full, Blue =0, White/Amber=0)	step
							36-45	Red->up, Green=full, Blue=0, White/Amber=0	proportional
							46	Yellow (Red=full, Green=full, Blue=0, White/Amber=0)	step
							47-56	Red=full, Green->down, Blue=0, White/Amber=0	proportional
							57	Red(Red=full, Green=0, Blue=0, White/Amber=0)	step
							58-67	Red=full, Green=0, Blue->up, White/Amber=0	proportional
							68	Magenta (Red=full, Green=0, Blue=full, White/Amber=0)	step
							69-78	Red -> down, Green=0, Blue=full, White/Amber=0	proportional
							79	Blue (Red=0, Green=0, Blue=full, White/Amber=0)	step
								<b>Transition effects</b>	
							80-87	Rainbow effect (with fade time) from slow-> fast	proportional
							88-95	Rainbow effect (without fade time) from slow-> fast	proportional
							96-103	Full dynamic white (1800K->6500K->1800K) (with fade time) from slow-> fast	proportional
							104-111	Full dynamic white (1800K->6500K->1800K) (without fade time) from slow-> fast	proportional
							112-119	Dynamic warm white (1800K-3000K-1800K) (with fade time) from slow-> fast	proportional
							120-127	Dynamic warm white (1800K-3000K-1800K) (without fade time) from slow-> fast	proportional
							128-135	Rainbow effect + full dynamic white (with fade time) from slow-> fast	proportional
							136-143	Rainbow effect + full dynamic white (without fade time) from slow-> fast	proportional
							144-151	Blue/Green effect (with fade time) from slow-> fast	proportional
							152-159	Blue/Green effect (without fade time) from slow-> fast	proportional
							160-167	Red/Blue effect (with fade time) from slow-> fast	proportional
							168-175	Red/Blue effect (without fade time) from slow-> fast	proportional
							176-183	Green/Red effect (with fade time) from slow-> fast	proportional
							184-191	Green/Red effect (without fade time) from slow-> fast	proportional
							192-199	Blue/4000K effect (with fade time) from slow-> fast	proportional
							200-207	Blue/4000K effect (without fade time) from slow-> fast	proportional
							208-215	Green/4000K effect (with fade time) from slow-> fast	proportional
							216-223	Green/4000K effect (without fade time) from slow-> fast	proportional
							224-231	Red/4000K effect (with fade time) from slow-> fast	proportional
							232-239	Red/4000K effect (without fade time) from slow-> fast	proportional
						<b>13</b>		<b>Shutter/Strobe</b>	
							0-31	Shutter closed	step
							32-63	Shutter open	step
							64-95	Strobe-effect from slow to fast	proportional

DMX protocol

Mode/channels							DMX Value	Function	Type of control
1	2	3	4	5	6	7			
							96-127	Shutter open	step
							128-143	Opening pulse in sequences from slow to fast	proportional
							144-159	Closing pulse in sequences from fast to slow	proportional
							160-191	Shutter open	step
							192-223	Random strobe-effect from slow to fast	proportional
							224-255	Shutter open	step
-	-	11	3	5	7	14		<b>Dimmer</b>	
							0 - 255	Light intensity coarse (0-100%)	proportional
-	-	12	-	6	8	15		<b>Dimmer Fine</b>	
							0 - 255	Light intensity fine	proportional
Copyright © 2022-2024 Robe Lighting s.r.o. - All rights reserved									
All Specifications subject to change without notice									

<b>DMX protocol for Calumma - All sizes - MC and SC</b>					
Version: 1.3 (16 modes in total)					
<b>Mode/Channels in all</b>				<b>TW Modes: Mode 11- White selection + Dimmer, Mode 12- WW + CW</b>	
<b>11</b>	<b>12</b>	<b>13</b>	<b>14-16</b>	<b>PW Mode: Mode 13- Dimmer</b>	
3	4	2	Reserved		
<b>TW and PW modes</b>					
<b>Mode/channels</b>			<b>DMX Value</b>	<b>Function</b>	<b>Type of control</b>
<b>11</b>	<b>12</b>	<b>13</b>			
<b>1</b>	-	-	0 - 255	<b>White colour selection</b> White from 2700 K - 6500 K	proportional
-	<b>1</b>	-	0 - 255	<b>Warm White</b> Warm White LEDs saturation control (0-100%)	proportional
-	<b>2</b>	-	0 - 255	<b>Cool White</b> Cool White LEDs saturation control (0-100%)	proportional
<b>2</b>	<b>3</b>	<b>1</b>	0 - 255	<b>Dimmer</b> Light intensity coarse (0 - 100%)	proportional
<b>3</b>	<b>4</b>	<b>2</b>	0 - 255	<b>Dimmer Fine</b> Light intensity fine	proportional
Copyright © 2022-2024 Robe Lighting s.r.o. - All rights reserved					
All Specifications subject to change without notice					