

LYRAE™ S MC

Difficult inground installations are made easier with the Lyrae S MC. High light output comes from powerful LEDs and it can be used with a variety of optics, from narrow to wide, in addition to a bi-symmetrical option. The light source can be remotely tilted 25° from the horizontal position, always ensuring accurate illumination of the selected surface. Additionally, Lyrae S MC can be equipped with anti-skid glass featuring the highest standards of certification for anti-slip usage having no impact on the fixture's outstanding colour mixing.



KEY FEATURES

Lumen output & Light source

Providing perfectly mixed colour with luminous flux up to 762 lm (@ 12°, RGBW, 6500 K), the 27W Lyrae S luminaire utilises LEDs with 12° optic. Its excellent lumen maintenance of 90,000 hrs (L90B10) provides a dependable and long-term lighting installation.

Physical

Protected underground by high-pressure, die-cast aluminum, the above-ground stainless steel and glass cover provides an elegant and durable lighting solution in all kind of weather. The glass cover can be clear or with anti-skid treatment for inground applications, and its durability is guaranteed by IP68 and IK10 certification.

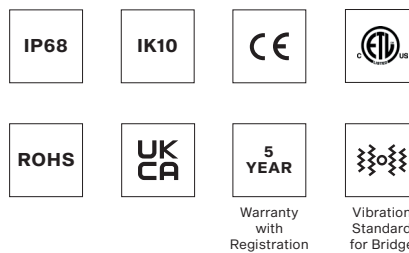
COLOURS



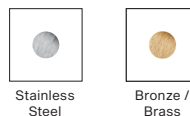
CONTROL & PROTOCOLS



STANDARD & SPECIFICATION

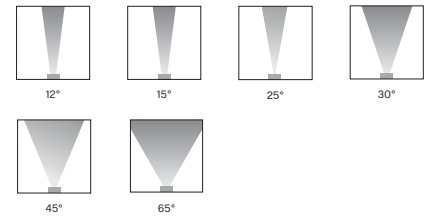


TRIM FINISH OPTIONS

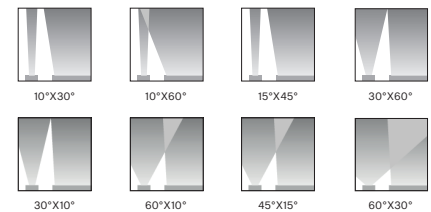


OPTIC OPTIONS

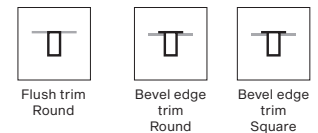
SYMMETRICAL



BI-SYMMETRICAL



TRIM OPTIONS

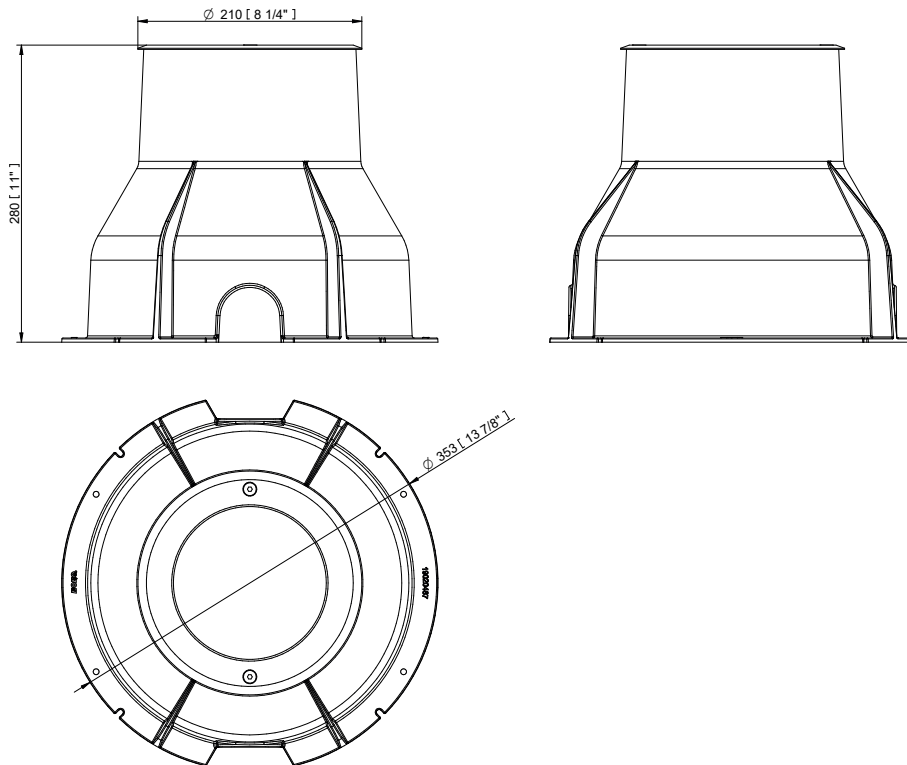


SPECIFICATION

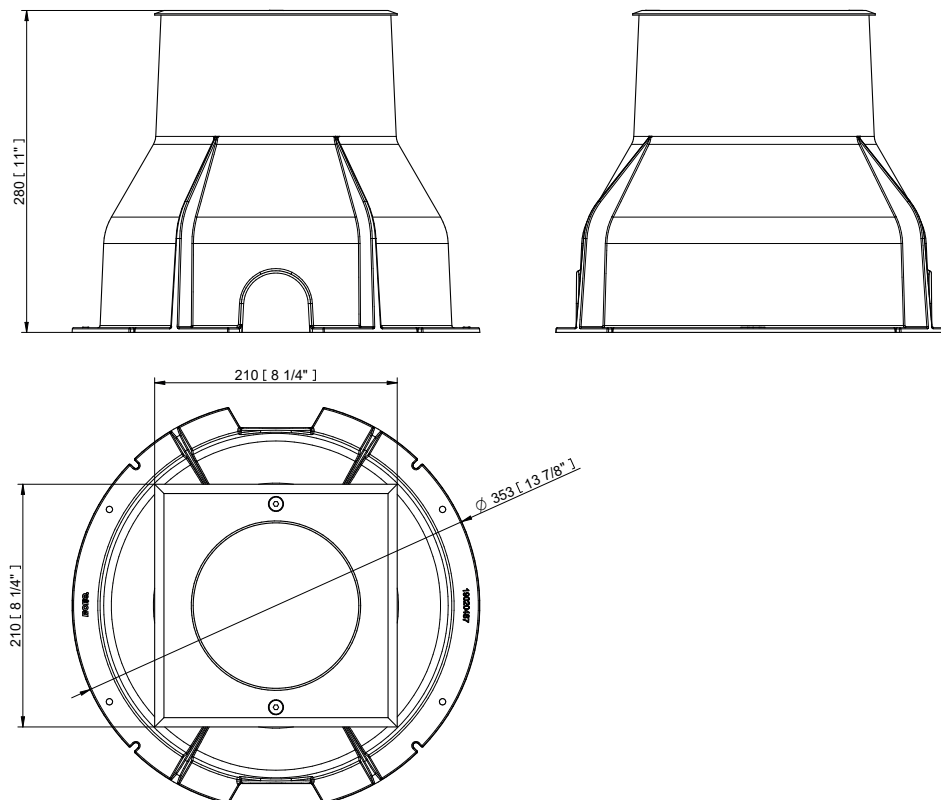
ELECTRICAL	Input Voltage	120 - 277 V AC 50/60 Hz		
	Typical Power Consumption	27 W		
OPTICAL	Light Source	High Power Multi Chip LEDs		
	Colour Variants	RGBW (W - 6500 K) RGBA		
	Beam Angle	Clear Glass	Symmetrical: 12° 15° 25° 30° 45° 65° Bi-symmetrical: 10°x30° 30°x10° 10°x60° 60°x10° 15°x45° 45°x15° 30°x60° 60°x30°	
		Anti-Skid Glass	Symmetrical: 18° 22° 35° 50° (preliminary) Bi-symmetrical: 20° x 35° 35° x 20° 20° x 65° 65° x 20° 20° x 50° 20° x 50° 35° x 65° 65° x 35° (preliminary)	
	Lumen Output Delivered	762 lm (@12° RGBW, 6500 K)		
	Projected Lumen Maintenance	L90B10 >90.000 hrs, Ta = 25°C / 77°F		
CONTROL	Interface Protocol	DMX/RDM DTP DALI 2		
	Operating Modes	DMX, Stand-alone		
	Settings / Addressing	RDM		
	Power Supply	Integrated		
PHYSICAL	Flange Diameter x Diameter x Height	Bevel Edge Trim: ø 210 x ø 353 x 280 mm (ø 8.3 x ø 14 x 11.1 in.)		
	Weight	3.75 kg 8.16 lbs		
	Housing	High Pressure Die-Cast Aluminium Body Stainless Flange Tempered Glass (Clear or Anti-Skid)		
	Trim Options	Bevel Edge Trim Flush Trim		
	Trim Shape	Round Square		
	Trim Finish Options	Stainless steel Bronze / Brass		
	Cables / Connections	Integrated Junction Box		
	Mounting Method	External Mounting Sleeve		
	Adjustability	Motorised Tilt 0° - 25° (One Direction Tilt) - Setting-up via NFC (password protected), or DMX		
	Protection Factor	IP68 / Suitable For Wet Locations (8h @ 1m)		
	IK Rating	IK10		
	Static Load Resistance	35 kN (TBC)		
	Cooling System	Convection		
	Operating Ambient Temperature	-20 °C / +40 °C (-4 °F / +104 °F)		
	CERTIFICATION	Listings	ETL / cETL, CE, RoHS, UKCA	
ACCESSORIES	Not Included Items			
		Lyrae S Mounting Sleeve		
		Junction Box		
		Trim for Lyrae S (Stainless Steel, Round, Bevel Edge)		
		Trim for Lyrae S (Stainless Steel, Round, Flush)		
		Trim for Lyrae S (Stainless Steel, Square, Bevel Edge)		
		Re-enterable Electrical Insulating Resin		
	Rock Guard			
DEMO SET	Lyrae S Demo Set	Includes: Lyrae fixture, Mounting Sleeve, Trim, Set of Optical Foils (Not suitable for permanent instalations. IP2X.)		

DIMENSIONS

with Round beveled Trim

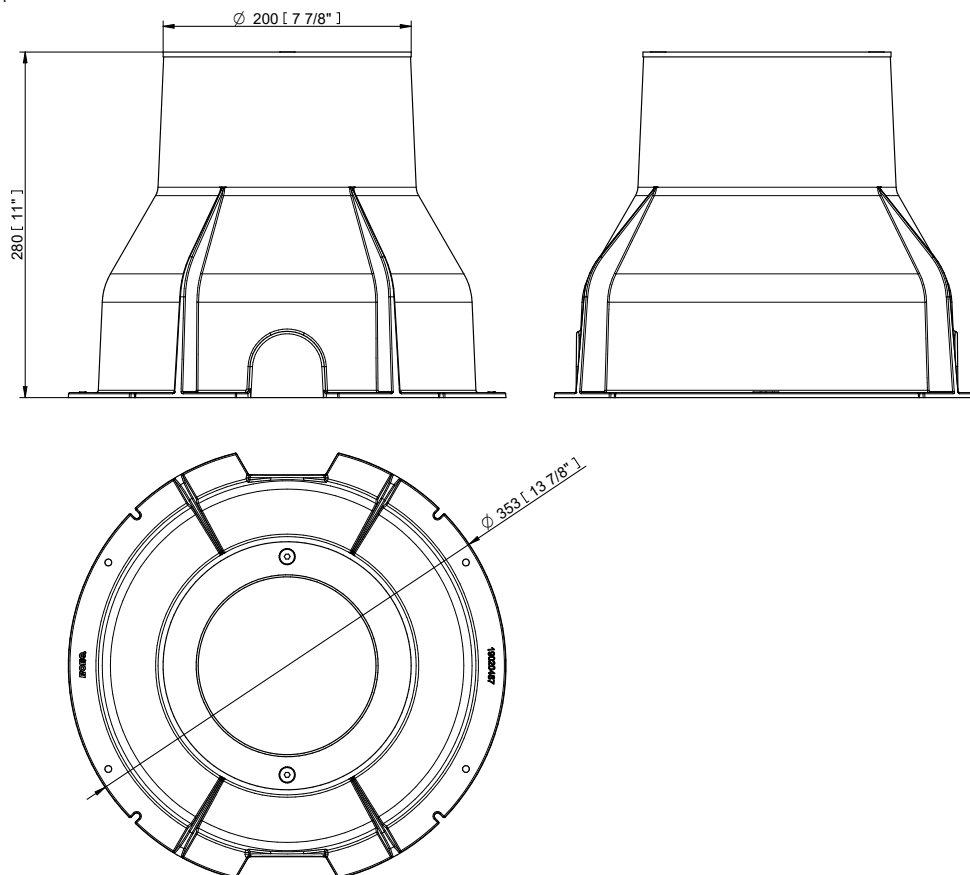


with Square beveled Trim



DIMENSIONS

with Round flush Trim

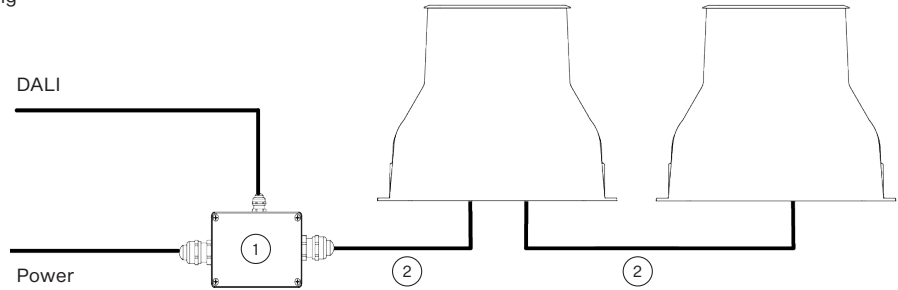


CONTROL AND CONNECTION OPTIONS - CE

DALI

- 1) Junction Box + Re-enterable Electrical Insulating Resin (P/N 10980658, sold separately)
- 2) Hybrid Cable (1305 3693)
or
Scope of Others

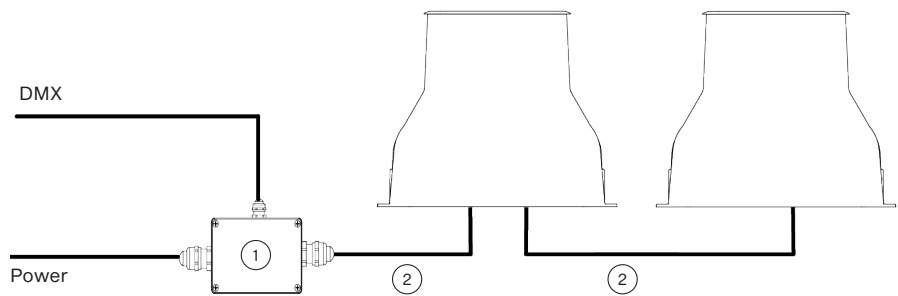
Note: All Anolis cables must be in placed in protective conduit – not suitable for direct burial.



DMX

- 1) Junction Box + Re-enterable Electrical Insulating Resin (P/N 10980658, sold separately)
- 2) Cable CE (1305 1508)

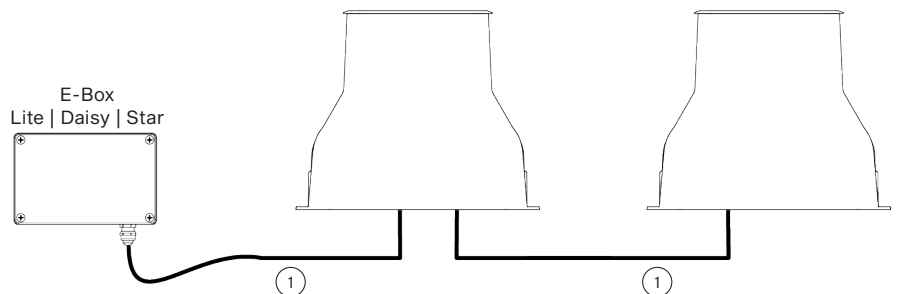
Note: All Anolis cables must be in placed in protective conduit – not suitable for direct burial.



DMX or ETHERNET via E-BOX

- 1) Cable CE (1305 1508)

Note: All Anolis cables must be in placed in protective conduit – not suitable for direct burial.

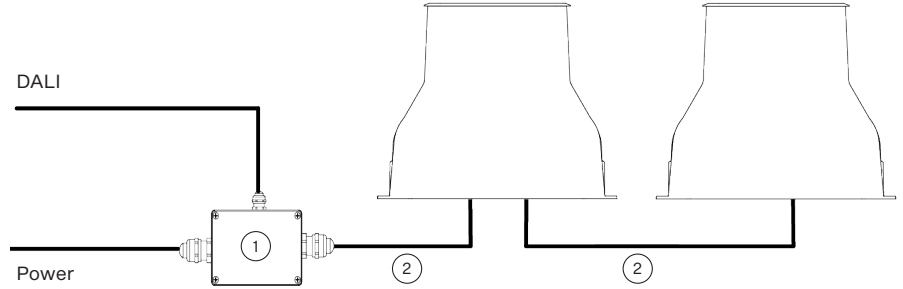


CONTROL AND CONNECTION OPTIONS - US

DALI

- 1) Junction Box + Re-enterable Electrical Insulating Resin (P/N 10980658, sold separately)
- 2) SJTW 5x 14AWG (1305 3336), black or Cable SJTW 5x 14AWG (1305 3697), white or Scope of Others

Note: All Anolis cables must be in placed in protective conduit – not suitable for direct burial.



DMX or ETHERNET via E-BOX

- 1) Cable US (1305 3139)

Note: All Anolis cables must be in placed in protective conduit – not suitable for direct burial.

