

QR code for Installations Instructions

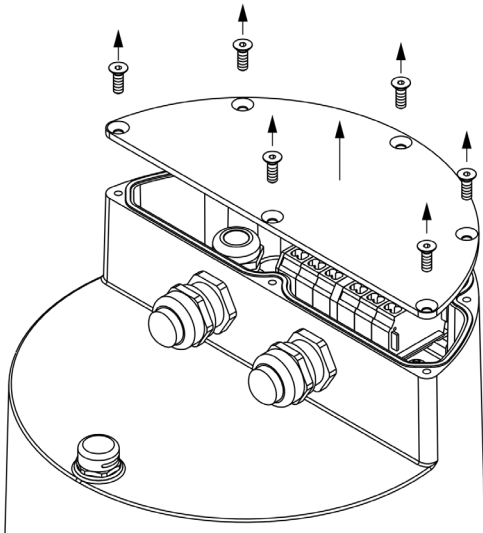


The unit must be installed by a qualified electrician in accordance with all national and local electrical and construction codes and regulations.



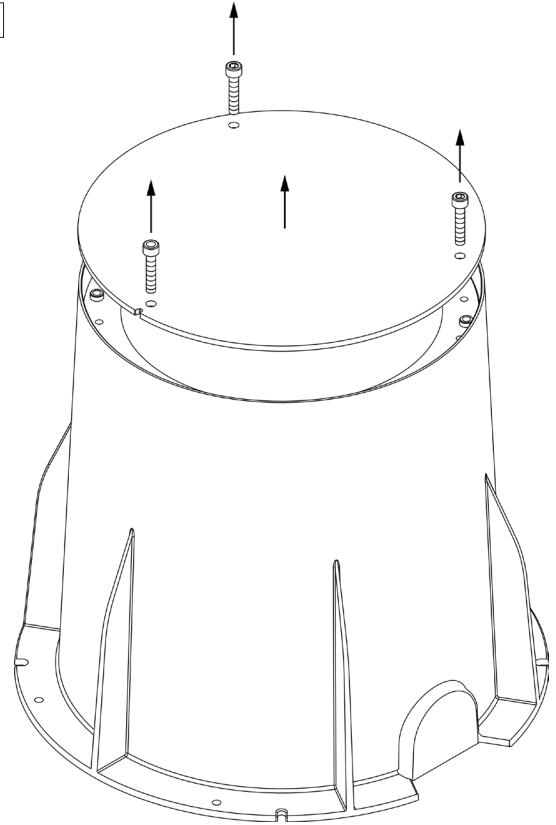
**STEP 1**  
**UNCOVER JUNCTION BOX AND SLEEVE**

1



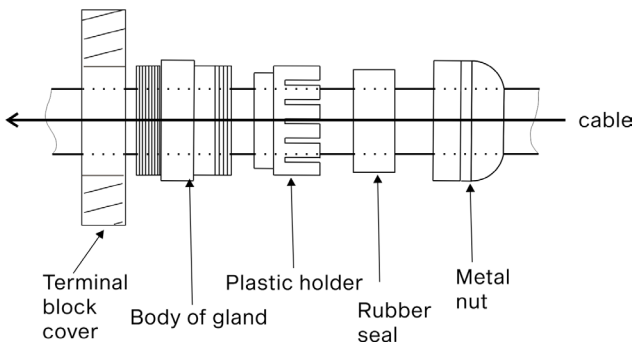
Unscrew six screws from the bottom cover and remove it.

2



Unscrew three screws and remove the Temporary Cover from Mounting Sleeve. Pull the cables out of the Sleeve.

**STEP 2**  
**CABLE GLAND INSTALLATION**



Use wrench size 22 for cable gland M20x1.5

Slip the cable through the gland according to the picture below and do not assemble the gland yet.

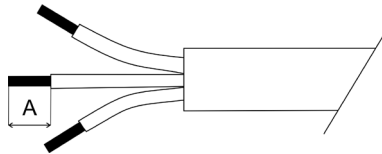
**STEP 3  
CONNECTION**

1

Connection coding

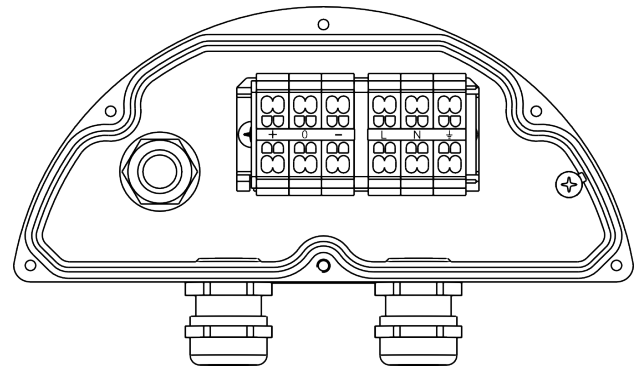
WIRE	POWER CONNECTION	WIRE	DATA CONNECTION
Line	L	Data +	+
Neutral	N	Data -	-
Ground	⊕	Data 0V	0

A	
Power Connection	9mm
Data Connection	9mm



Strip these lengths for wires connections.

2



IN/OUT for POWER and DATA connection

Connect the wires to the terminal block in junction box.

**STEP 4  
CABLE GLAND INSTALLATION**

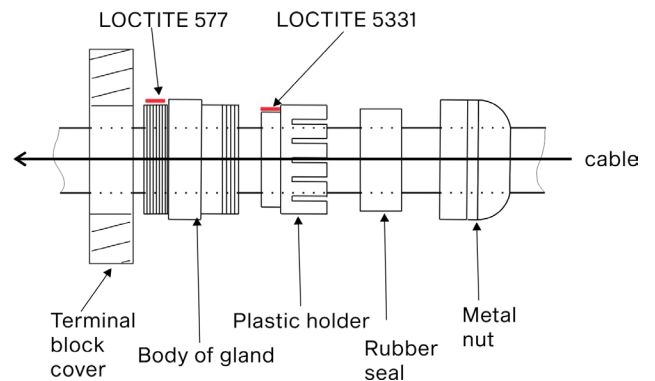
Assemble the cable gland according to the picture.

Use wrench size 22 for cable gland M20x1.5

Install Cable glands individually!

We recommend to apply an adequate layer of the paste LOCTITE 5331 on the plastic holder of the cable gland before inserting in into the body of the gland and an adequate layer of the paste LOCTITE 577 on the thread of the gland body.

**Failure to properly install cable glands will result in failure of the water tight seal!**



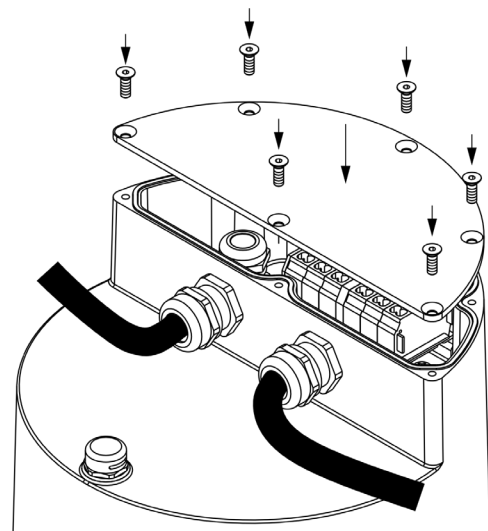
**STEP 5  
FILLING WITH SYNTHETIC RESIN**



After checking all connections, fill the connection box with synthetic resin. Make sure the end cap is inserted in any unused cable glands, and the earth ground wire is pulled from the junction box before filling it with resin. Read and follow all instructions stated on the resin bag prior to filling the junction box. The connection box has to be fully filled by resin.

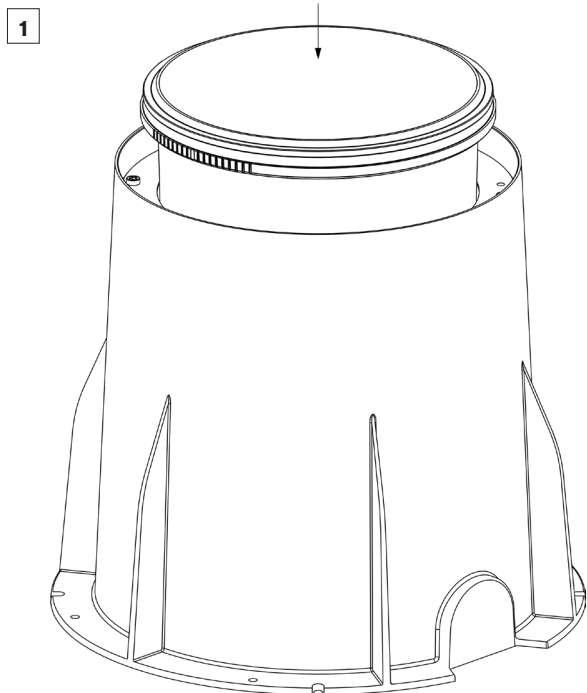
**It is compulsory to use the Insulating Resin to fill the junction box. Failure to do so will void the warranty.**

**STEP 6  
COVER JUNCTION BOX**

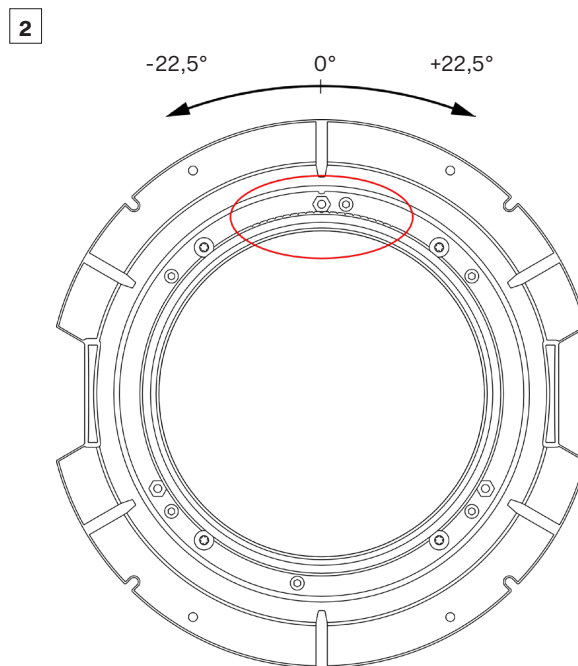


Place the bottom cover on luminaire and fasten it with six screws.

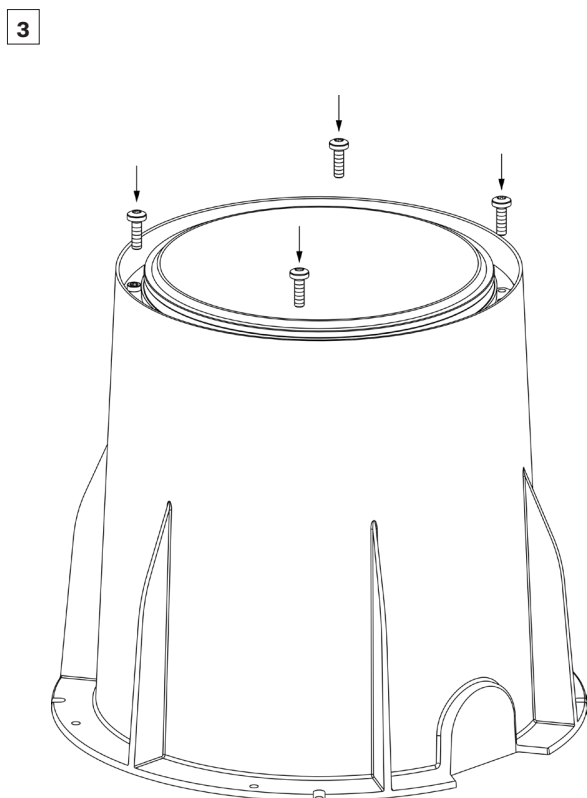
**STEP 6**  
**INSTALLATION OF LYRAE**



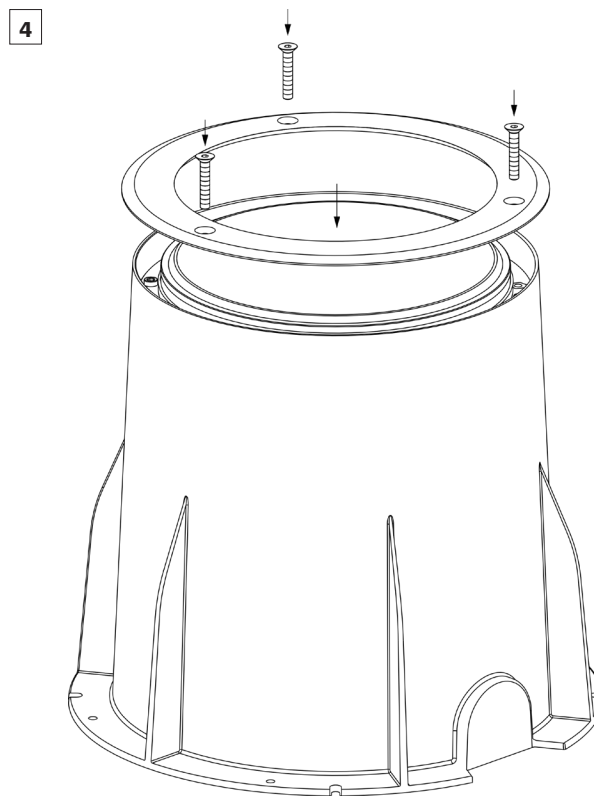
Insert the Luminaire to the Sleeve.



Turn the Luminaire in the desired lighting direction, according to the mark.



Secure Luminaire with four screws.



Place the Trim (ROUND/SQUARE/FLUCH) on the Luminaire and screw it with three screws to the sleeve.