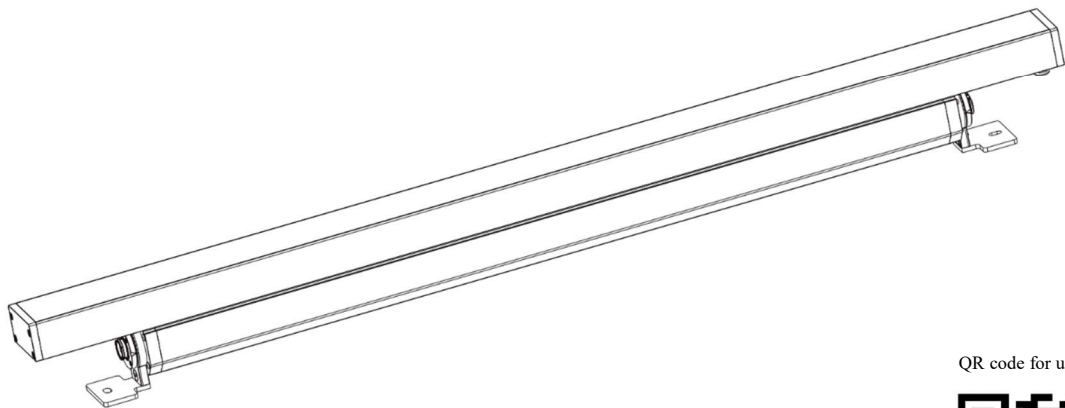


Eminere[®] 1 MC
Eminere[®] 2 MC
Eminere[®] 3 MC
Eminere[®] 4 MC



QR code for user manual



Table of contents

1. Safety instructions	3
2. Fixture exterior view	5
3. Installation	5
3.1 Mounting the fixture	5
3.2 C-clamps installation.....	6
3.3 Connection to mains.....	7
3.4 The Booster box.....	11
3.5 The Booster box installation.....	13
3.6 Jumper cable assembling.....	15
3.7 Example of Control panel in RDM manager.....	18
4. Software update	20
5. Technical specifications	21
cleaning and maintenance	26
6.1 Disposing of the product	26
7. ChangeLog	26

**FOR YOUR OWN SAFETY, PLEASE READ THIS USER MANUAL CAREFULLY
BEFORE POWERING OR INSTALLING YOUR Eminere MC !
Save it for future reference.**

This device has left our premises in absolutely perfect condition. In order to maintain this condition and to ensure safe operation, it is absolutely necessary for the user to follow the safety instructions and warnings written in this manual.

The manufacturer will not accept liability for any resulting damages caused by the non-observance of this manual or any unauthorized modification to the device.

Unauthorized modification will void warranty.

1. Safety instructions

DANGEROUS VOLTAGE CONSTITUTING A RISK OF ELECTRIC SHOCK IS PRESENT WITHIN THIS UNIT!

This fixture should be operated only from the type of power source indicated on the marking label. If you are not sure of the type of power supplied, consult your authorized distributor or local power company.

Always disconnect the fixture from AC power before cleaning, servicing or installing.

Make sure the data/power cable is not damaged by sharp edges. Check the fixture and the power cord from time to time.

Do not install the unit near an open flame.

During operation the housing becomes hot.

Refer servicing to qualified service personnel.

This fixture falls under protection class I. Therefore this fixture has to be connected to a mains socket outlet with a protective earthing connection.

Do not connect this fixture to a dimmer pack.

LED light emission. Risk of eye injury. Do not look into the beam from a short distance without suitable protective eyewear. Do not look at LEDs with magnifiers or similar optical instruments that may concentrate the light output.

The fixture was designed for outdoor use. This fixture must not be used for underwater installation.

When choosing the installation spot, please make sure that the fixture is not exposed to extreme heat or dust.

Avoid using the unit in locations subject to possible impacts.

The fixture body never must be covered with cloth or other materials when the fixture is under operation.

Only operate the fixture after having checked that the housing is firmly closed and all screws are tightly fastened.

The fixture becomes hot during operation. Allow the fixture to cool approximately 30 minutes prior to servicing or maintenance.

Operate the fixture only after having familiarized yourself with its functions. Do not permit operation by persons not qualified to operate the fixture. Most damages are the result of unprofessional operation!

Please consider that unauthorized modifications on the fixture are forbidden due to safety reasons!

Please use the original packaging if the fixture is to be transported.

If this device will be operated in any way different to the one described in this manual, the product may suffer damages and the warranty becomes void. Furthermore, any other operation may lead to dangers like short-circuit, burns, electric shock etc.

The product (covers and cables) must not be exposed to a high frequency electromagnetic field higher than 3V/m.

Immunity of the equipment is designed according to the standard EN 55035 Electromagnetic compatibility of multimedia equipment - Immunity requirements

Emission of the equipment complies with the standard EN55032 Electromagnetic compatibility of multimedia equipment – Emission Requirements according to class B.

This device complies with part 15 of the FCC Rules. Operation is subject to the following two conditions: (1) This device may not cause harmful interference, and (2) this device must accept any interference received, including interference that may cause undesired operation.

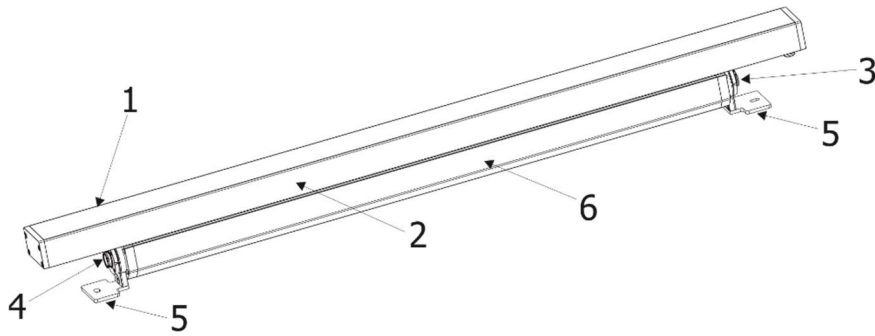
Changes or modifications not expressly approved by the party responsible for compliance could void the user's authority to operate the equipment.

This equipment has been tested and found to comply with the limits for a Class B digital device, pursuant to part 15 of the FCC Rules. These limits are designed to provide reasonable protection against harmful interference in a residential installation. This equipment generates, uses and can radiate radio frequency energy and, if not installed and used in accordance with the instructions, may cause harmful interference to radio communications. However, there is no guarantee that interference will not occur in a particular installation. If this equipment does cause harmful interference to radio or television reception, which can be determined by turning the equipment off and on, the user is encouraged to try to correct the interference by one or more of the following measures:

- Reorient or relocate the receiving antenna.
- Increase the separation between the equipment and receiver.
- Connect the equipment into an outlet on a circuit different from that to which the receiver is connected.
- Consult the dealer or an experienced radio/TV technician for help.

Warning for fixtures with Harsh Environment Finish (HEF):
Handle with care!
Avoid any damage to the painted surface.
Damaging the paint may result in corrosion and loss of warranty.

2. Fixture exterior view

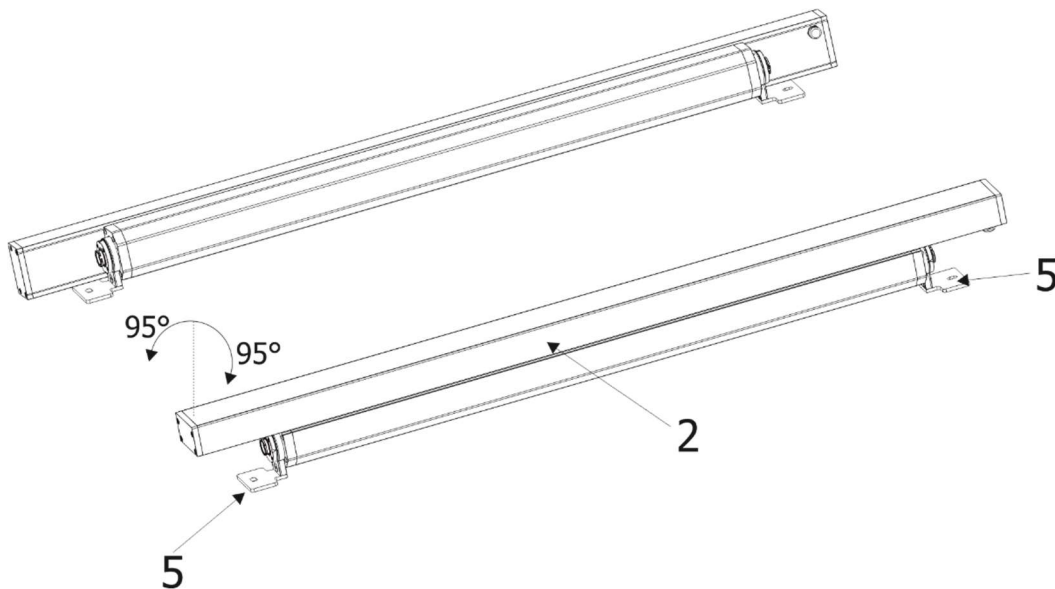


1. Transparent glass cover
2. LED module
3. Output connector
4. Input connector
5. Mounting brackets
6. Aluminium base

3. Installation

3.1 Mounting the fixture

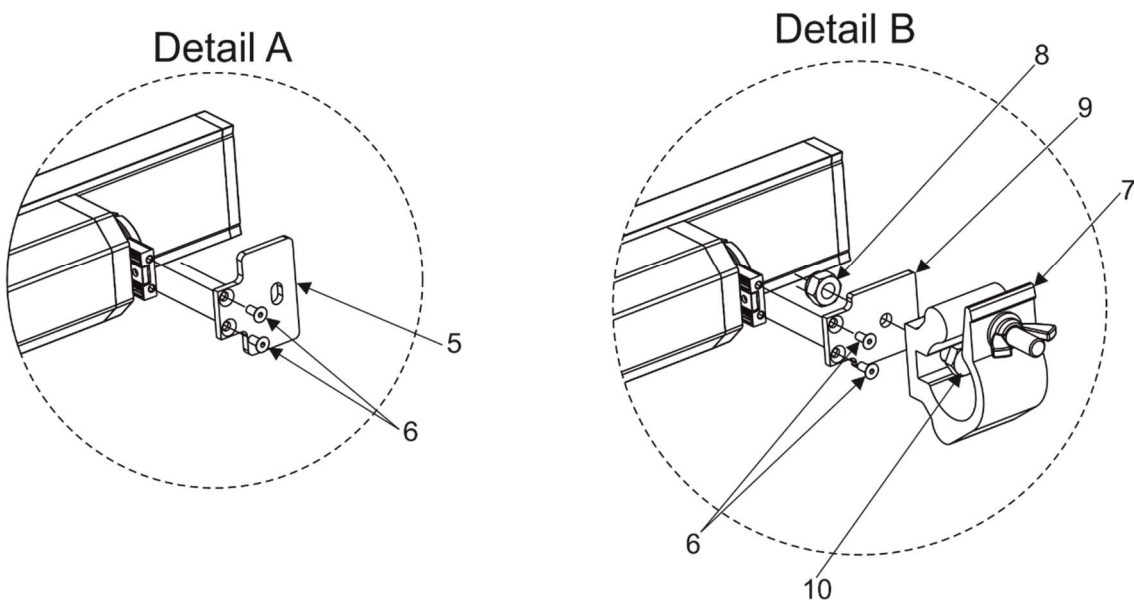
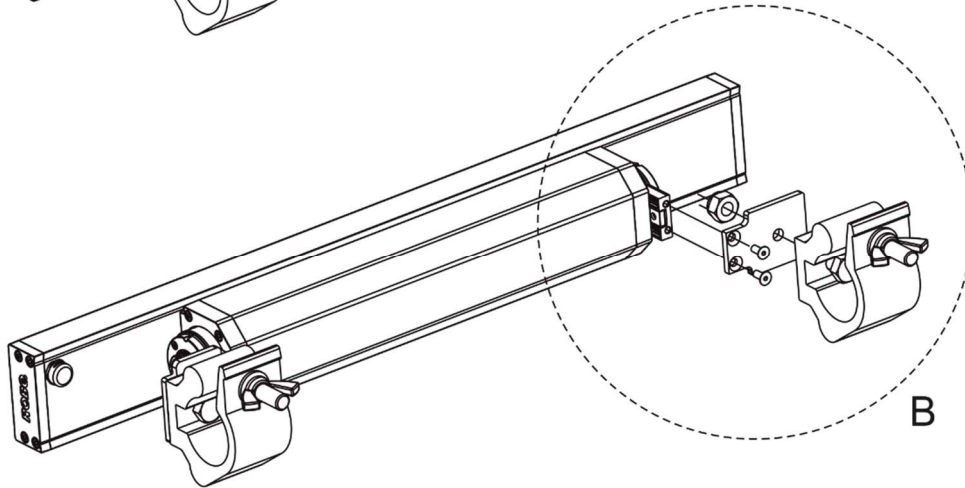
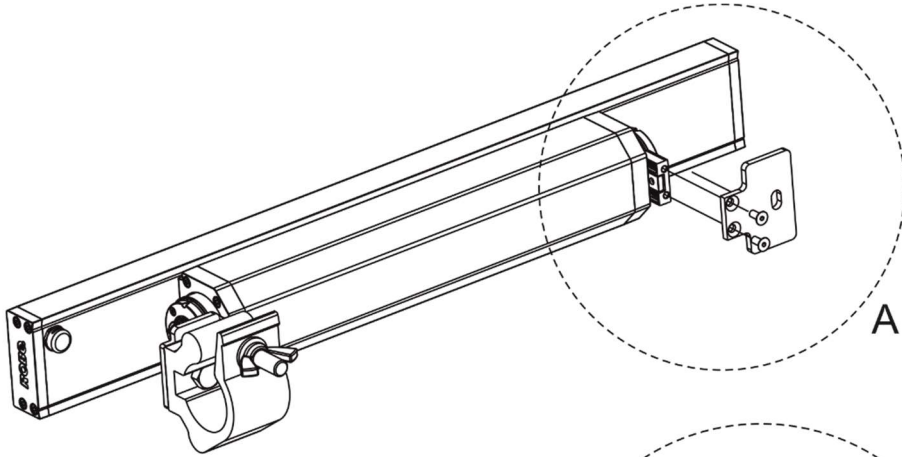
The Eminere MC can be arranged in any orientation on a flat, non-flammable surface by means of two mounting brackets (5), the LED module (2) can be tilted ($+95^\circ/-95^\circ$) to get access to mounting brackets (5).



Ensure that the structure to which you are attaching the unit is secure.

3.2 C-clamps installation

1. Remove the mounting bracket (5) from fixture housing by unscrewing two screws (6).
2. Screw the new mounting bracket (9) to the fixture housing by means of two screws (6).
3. Screw the clamp (7) to the mounting bracket by means of the bolt M12x30 (10) with nuts M12 (8).

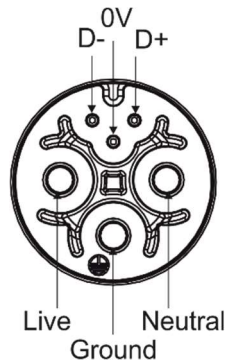


3.3 Connection to mains

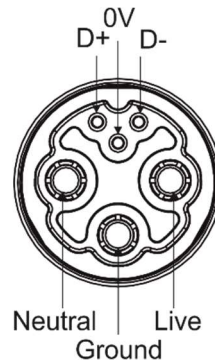
***The unit must be installed by a qualified electrician in accordance with all national and local electrical and construction codes and regulations.
This device falls under class one and must be grounded!***

The Eminere MC is equipped with auto-switching power supply that automatically adjusts to any 50/60Hz AC power source from 120-277 Volts.

Input - panel connector
(front view)



Output - panel connector
(front view)



Fixture's Amphenol connectors are dust and water protected according to IP 67 by mating with related Amphenol connectors.

They cannot stay disconnected outdoor.

The output panel connector at last fixture in the Eminere MC chain has to always be covered with the water-tight cap to keep declared IP rating.

The Eminere MC modules should be connected to the E-box which allows power supply of the Eminere MC modules and their control.

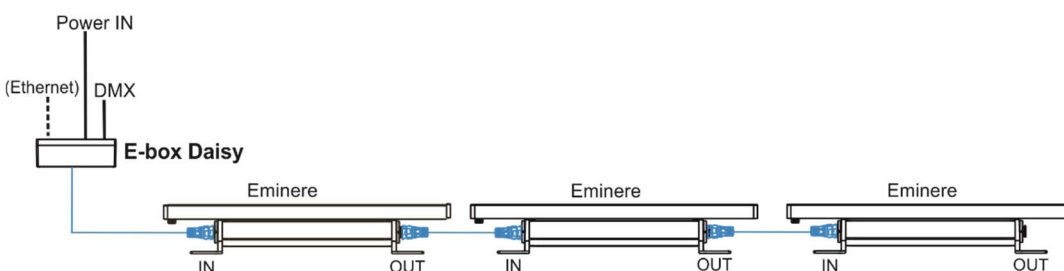
Do not connect (disconnect) Emineres MC to the E-box or Booster box and each other when they are under voltage!

When you change any setting of the E-box, disconnect the E-box from power and connect it to power again to activate changes which you have made.

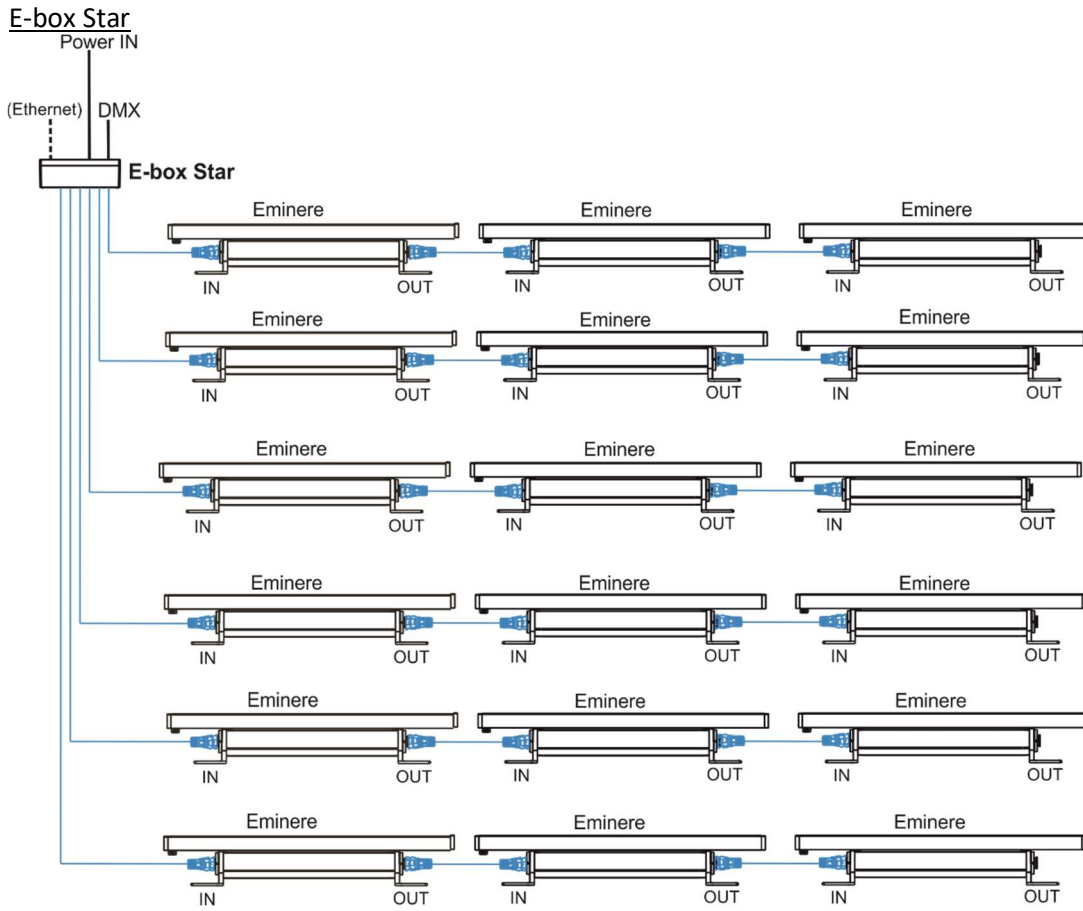
Examples of connection for various versions of the E-box.

Please read the E-box user manual for more information about its setting and connection to Eminere MC modules. Needed cables are stated in the chapter "Technical information".

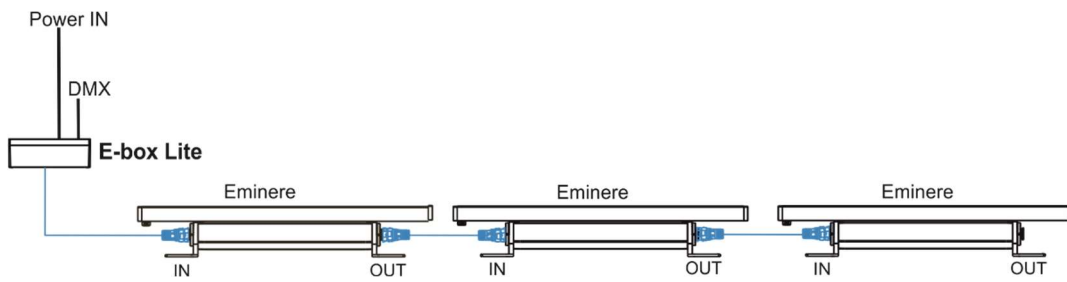
E-box Daisy



Eminere MC



E-box Lite



Eminere MC

Number of connected Emineres MC to one E-box output depends on a cable length, power voltage, type of Eminere MC and E-box and operation mode.

The tables below state max. theoretical number of Emineres MC connected to the one LED output of the E-box without Booster boxes. The following tables apply for the Standard mode of E-boxes.

EMINERE 1	Voltage			
Cable length *	120V	190V	230V	277V
10 m	66	104	127	152
20 m	66	104	127	152
30 m	46	104	127	152
50 m	28	70	102	148
70 m	20	50	73	106
100 m	13	35	51	74
200 m	7	17	25	37

EMINERE 2	Voltage			
Cable length *	120V	190V	230V	277V
10 m	36	56	69	83
20 m	36	56	69	83
30 m	24	56	69	83
50 m	15	38	56	80
70 m	10	27	40	57
100 m	9	18	28	40
200 m	3	9	16	20

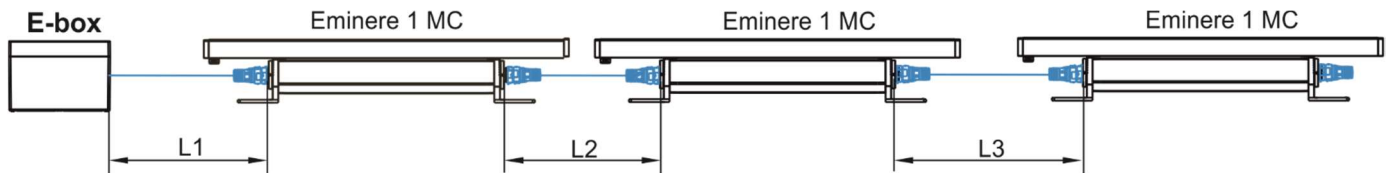
EMINERE 3	Voltage			
Cable length *	120V	190V	230V	277V
10 m	25	40	48	59
20 m	25	40	48	59
30 m	17	40	48	59
50 m	11	26	39	57
70 m	7	19	28	40
100 m	5	13	19	28
200 m	2	6	10	14

Eminere MC

EMINERE 4	Voltage			
	120V	190V	230V	277V
Cable length *				
10 m	19	31	37	45
20 m	19	31	37	45
30 m	14	31	37	45
50 m	8	20	30	44
70 m	5	15	21	35
100 m	3	10	15	21
200 m	1	4	7	11

* Cable length is a total cable length between E-box and last connected Eminere MC.

Example: Total cable length=L1+L2+L3



Notice for the E-box Star: The tables above state max. total number of Emineres connected to 6 LED outputs of the E-box Star (or max. number of Emineres MC connected to one output if the rest of outputs is not connected). The E-box Star has only one power input!

3.4 The Booster box

To compensate a voltage drop in large installation, the Booster boxes have to be connected in the chain of Emineres MC at every LED output of the E-box.

The following tables give numbers of Emineres MC after which the Booster box has to be installed in the chain of Emineres MC (at one LED output of the E-box). The following tables apply for the Standard mode of E-boxes.

EMINERE 1	Max. number of Emineres 1= 152			
	Voltage			
Cable length	120V	190V	230V	277V
10 m	66,132	104	127	-
20 m	66,132	104	127	-
30 m	46,92,138	104	127	-
50 m	28,56,84,112,140	70,140	102	148
70 m	20,40,60,80,100,120,140	50,100,150	73,146	106
100 m	13,26,39,52,65,78,91,104,117,130,143	35,70,105,140	51,102	74,148
200 m	7,14,21,28,35,42,49,56,63,70,77,84,91,98,105,112,119,126,133,140,147	17,34,51,68,85,102,119,136	25,50,75,100,125,150	37,74,111,148

EMINERE 2	Max. number of Emineres 2= 83			
	Voltage			
Cable length	120V	190V	230V	277V
10 m	36,72	56	69	-
20 m	36,72	56	69	-
30 m	24,48,72	56	69	-
50 m	15,30,45,60,75	38,76	56	80
70 m	10,20,30,40,50,60,70,80	27,54,81	40,80	57
100 m	9,18,27,36,45,56,63,72,81	18,36,54,72	28,56	40,80
200 m	3,6,9,12,15,18,21,24,27,30,33,36,39,42,45,48,51,54,57,60,63,66,69,72,75,78,81	9,18,27,36,43,54,63,72,81	16,32,48,64,80	20,40,60,80

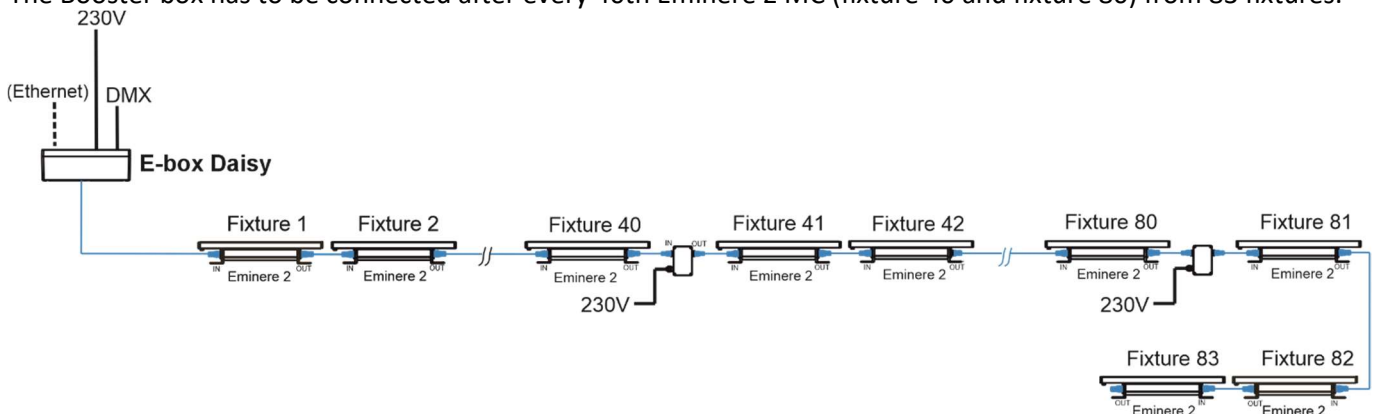
Eminere MC

EMINERE 3	Max. number of Emineres 3= 59			
	Voltage			
Cable length	120V	190V	230V	277V
10 m	25,50	40	48	-
20 m	25,50	40	48	-
30 m	17,34,51	40	48	-
50 m	11,22,33,44,55	26,52	39	57
70 m	7,14,21,28,35,42,49,56	19,38,57	28,56	40
100 m	5,10,15,20,25,30,35,40,45,50,55	13,26,39,52	19,38,57	28,56
200 m	2,4,6,8,10,12,14,16,18,20,22,24,26,28,30,32,34,36,38,40,42,44,46,48,50,52,54,56,58	6,12,18,24,30,36,42,48,54	10,20,30,40,50	14,28,42,56

EMINERE 4	Max. number of Emineres 4= 45			
	Voltage			
Cable length	120V	190V	230V	277V
10 m	19,38	31	37	-
20 m	19,38	31	37	-
30 m	14,28,42	31	37	-
50 m	8,16,24,32,40	20,40	30	44
70 m	5,10,15,20,25,30,35,40	15,30	21,42	35
100 m	3,6,9,12,15,18,21,24,27,30,33,36,39,42	10,20,30	15,30	21,42
200 m	1,2,3,4,5,6.....42,43,44	4,8,12,16,20,24,28,32,36,40,44	7,14,21,28,35,42	11,22,33,44

Example: E-box Daisy, Power supply= 230V, Cable length=70m, fixture=Eminere 2 MC

The Booster box has to be connected after every 40th Eminere 2 MC (fixture 40 and fixture 80) from 83 fixtures.

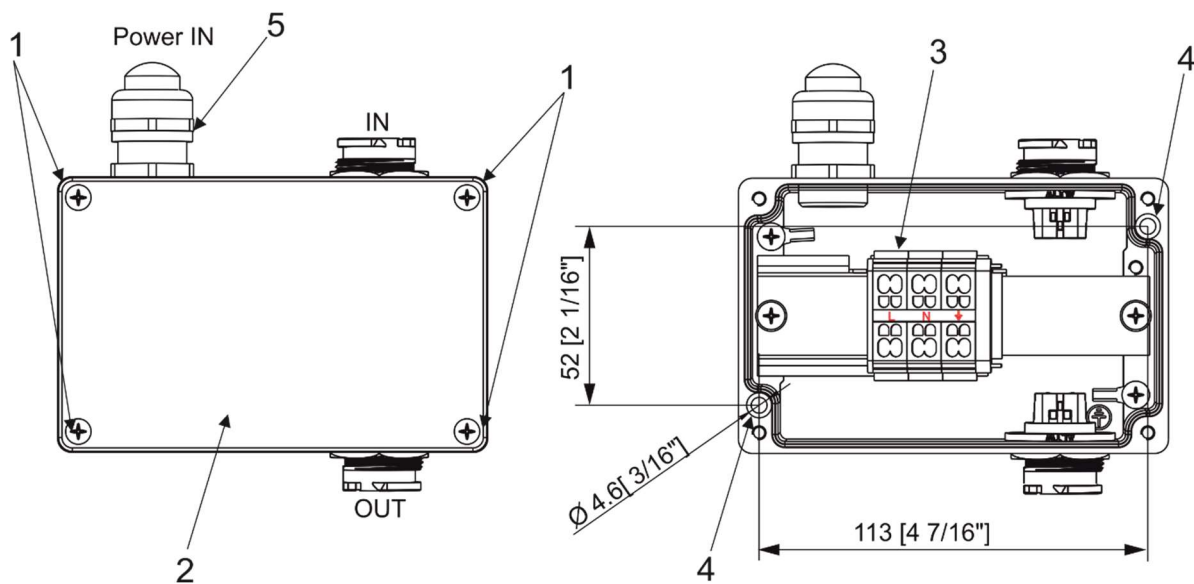


3.5 The Booster box installation

ALWAYS DISCONNECT THE EMINERES MC FROM MAINS BEFORE CONNECTING/DISCONNECTING THE BOOSTER BOX.

The Booster box falls under protection class I. Therefore, every Booster box has to be connected to a mains socket outlet with a protective earthing connection.

1. Unscrew the four screws (1) from the cover (2) on the Booster box to get access to the terminal block (3) and two mounting holes of diameter of 4.6 mm (4).
2. Screw the Booster box on a non-flammable flat surface and connect cables.



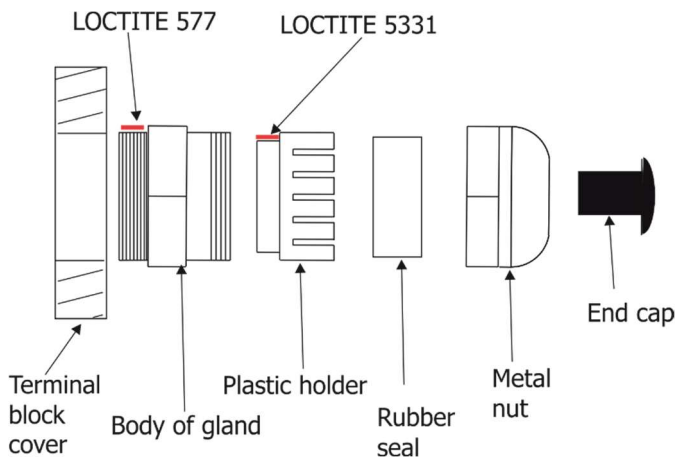
The Cable gland M20x1.5 for Power IN (5) is intended for a cable of a diameter of 7-13mm. Remove the end cap from the cable gland before passing the cable.

Power connection

	L	N	⊕ (earth)
Core (EU)	Braun	Blue	Green/yellow
Core (US)	Black	White	Green

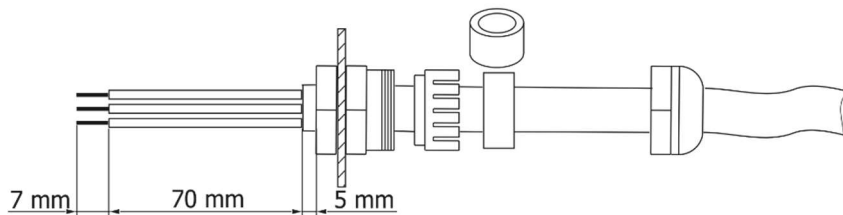
We recommend to apply an adequate layer of the paste LOCTITE 5331 on the plastic holder of the cable gland before inserting it into the body of the gland and an adequate layer of the paste LOCTITE 577 on the thread of the gland body.

Cable gland M20 MS:

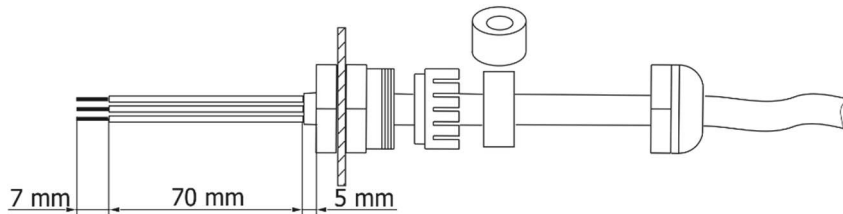


The cable gland M20 MS with a standard seal serves for a cable of diameter of 7-13mm, for smaller diameter of cable (4-8mm) you have to remove the original seal from the cable gland M20 and use the enclosed reducing seal instead of it. The reducing seal for diameter of cable 4-8mm (P/N 13051388) is enclosed in the Booster box.

Standard seal - part of cable gland M20 x 1.5
(for diameter of cable: 7-13mm)



Reducing seal (P/N 13051388) - enclosed, standard seal has to be removed before installing this seal
(for diameter of cable: 4-8mm)

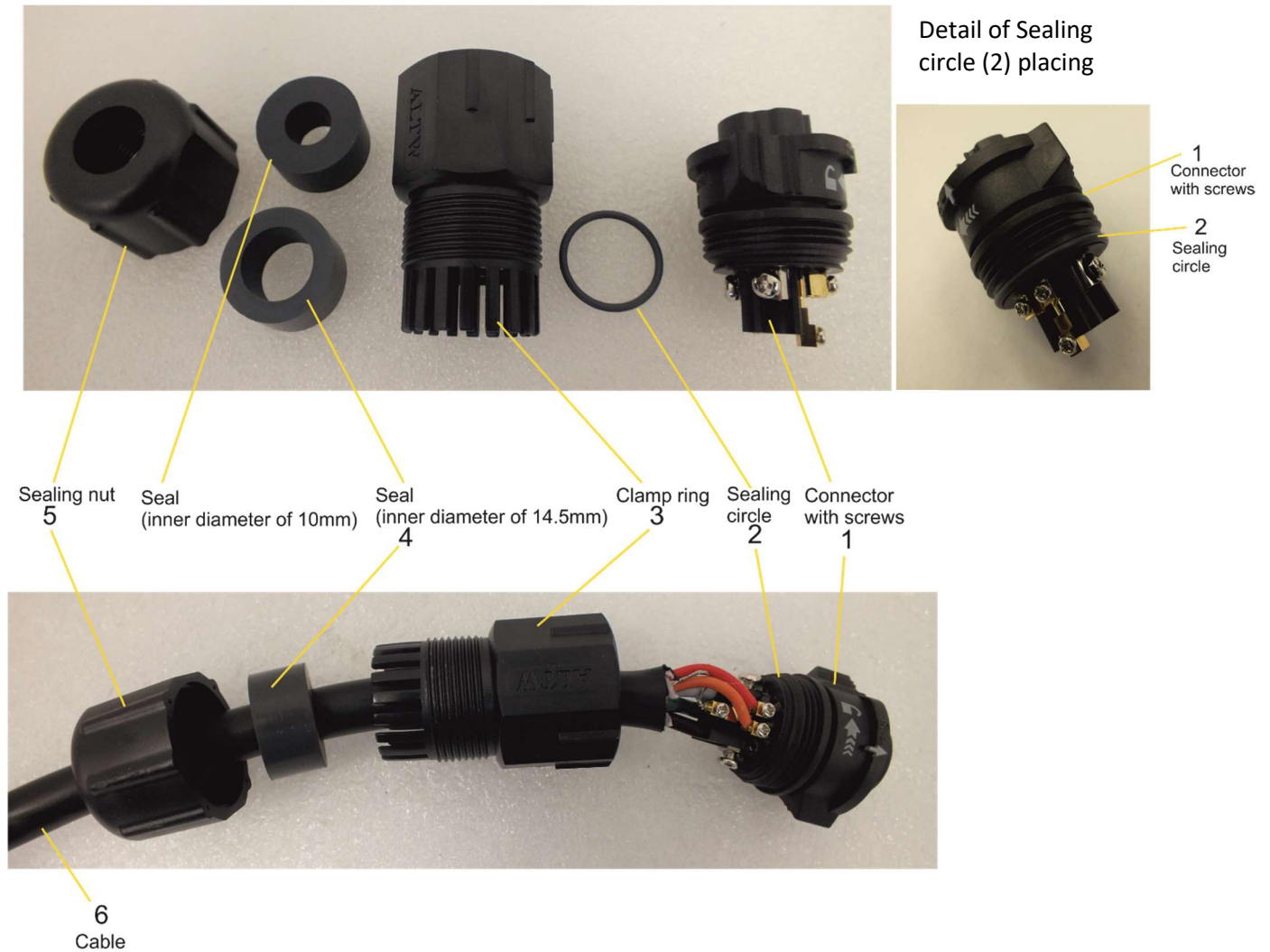


3. Screw the cover (2) back on the Booster box.

3.6 Jumper cable assembling

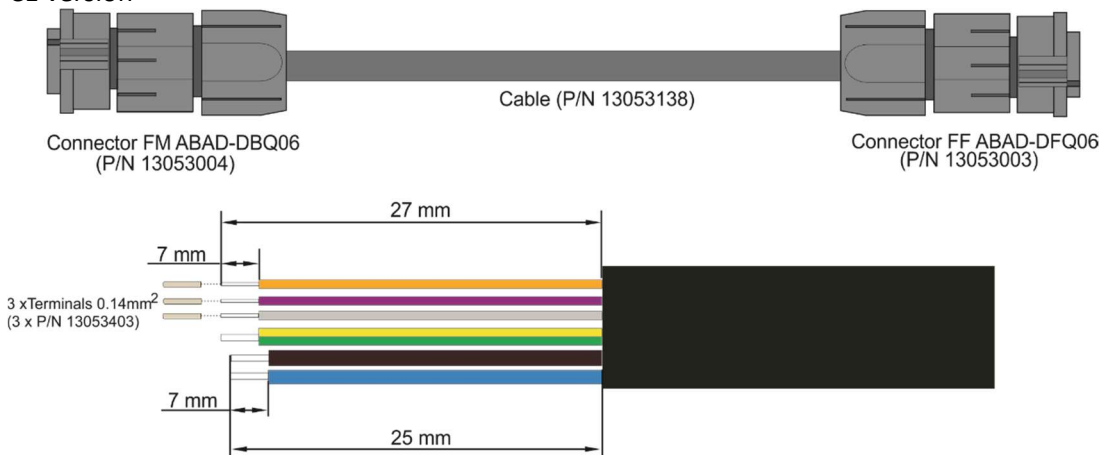
1. Dismantle the connector and slide its parts onto the cable (6).
Use the seal with inner diameter of 14.5 mm for the Anolis cable (P/N 13053138 or P/N 13053139).
The seal with inner diameter of 14.5 mm serves for cable of diameter 10-14.5mm.
The seal with inner diameter of 10 mm serves for cable of diameter 8-10mm.

Parts of the connector



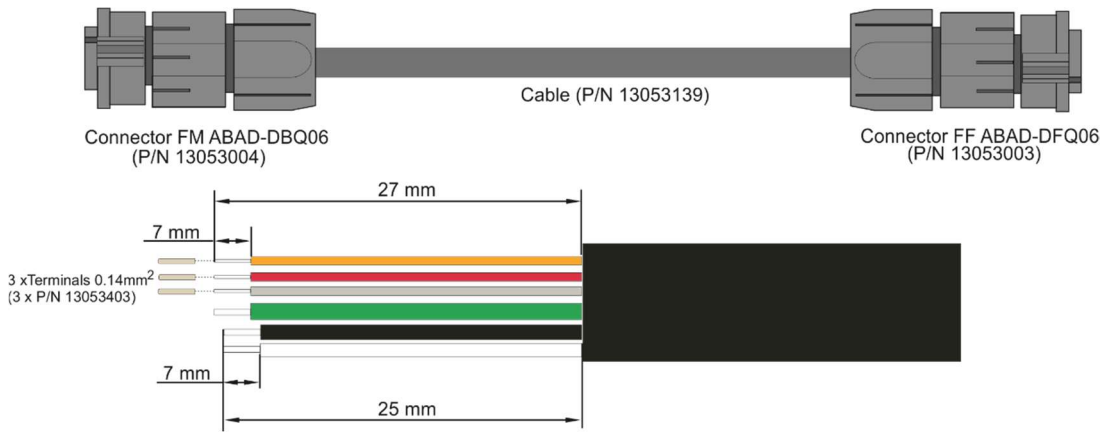
2. Put the seiling circle (2) on the connector with screws (1).
3. Remove insulation from the cable (6) and from individual wires and fasten three terminals on data wires.

CE version



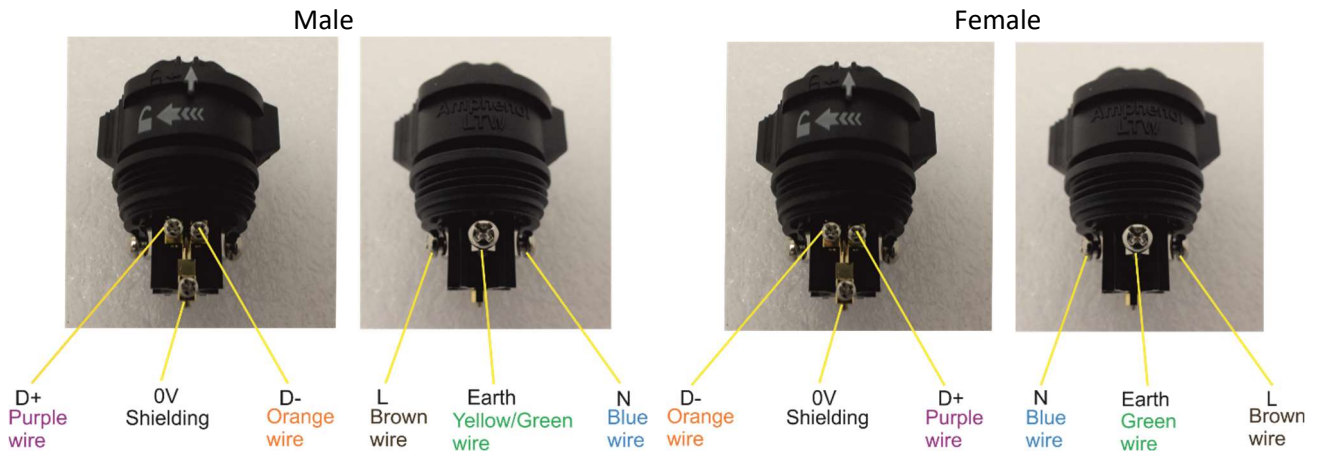
Eminere MC

US version

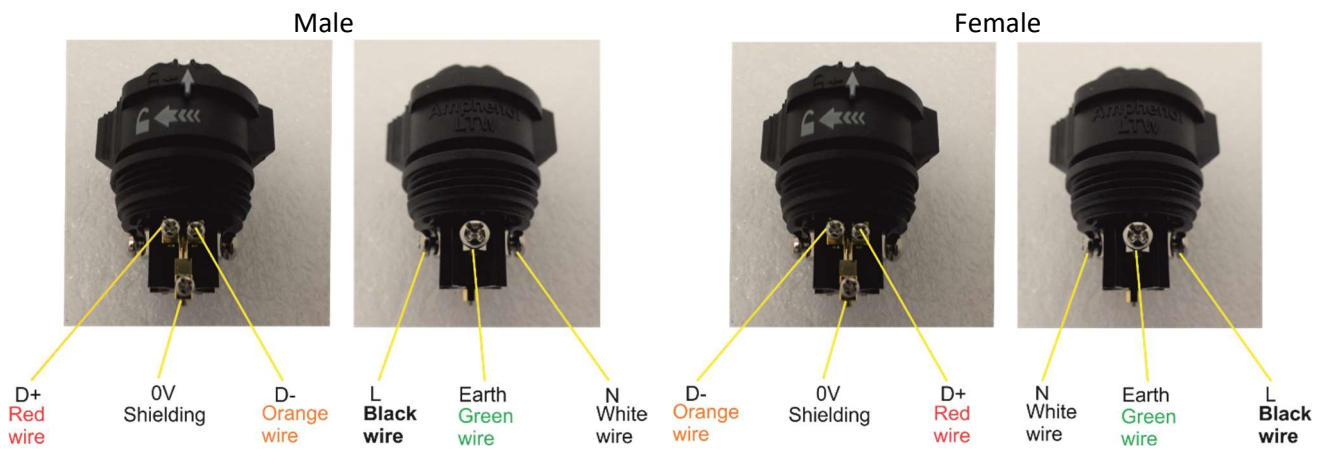


3. Put parts of the connector on the cable (6) and connect wires to the connector. First connect power wires (L,N, Earth) and after that data wires (D+, D-, 0V). Avoid excessive torsion of data wires!

CE version



US version



4. After connecting wires to the connector, tighten the three data wires (D+,D-, 0V) by means of the cable binder (7).



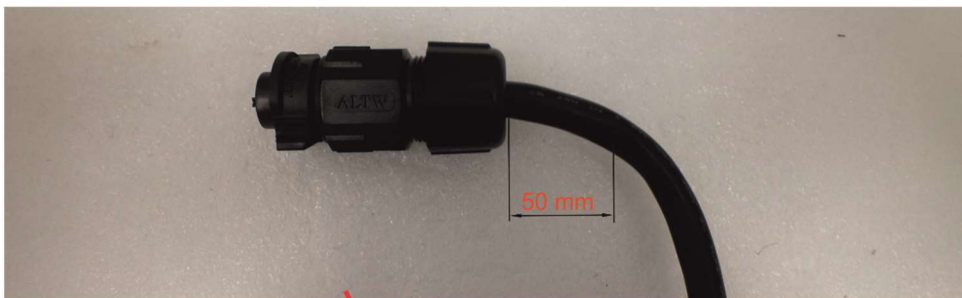
7
Cable binder

6. Screw the clamp ring (3) to the connector (1), insert the seal (4) to the clamp ring (3) and tighten the sealing nut (5) enough. During the steps DO NOT TWIST the cable (6).

7. Use the same procedure to assemble the connector on the second end of the cable.

IMPORTANT


Do not bend the cable near to the connector, minimum distance for bending is 50mm.



3.7 Example of Control panel in RDM manager

The software RDM manager is available on the ROBE website (<https://www.robe.cz/support>), product RUNIT WTX.

Control panel

Device: 52:53-01:2e:00:7f 

Product information

- RDM protocol version: 0x0100
- Device model ID: 0x010a
- Product category: 0x0102
- Software version: 18
- Subdevice count: 0
- Sensor count: 2
- Manufacturer label: ROBE lighting s.r.o.
- Device model description: Eminere
- Device label:

DMX512 setup

- DMX512 footprint: 12
- Current personality:
- Personalities count: 23
- DMX address:

Power/Lamp setup

- Device hours: 0

Configuration

- Factory defaults:


Control

- Identify device:

Display settings

Manufacturer PIDs

- Wireless Unlink 1-unlink: (hex)
- LED calibration 4byte HEX! (RGBW/RGBA): (hex)
- Insect friendly light (0 = off, 1 = on): (hex)
- Pixel swap (0-dis 1-act): (hex)
- Terminator active (0-dis 1-en): (hex)

Green arrow  saves changes made in the Control panel to the Eminere MC.

Manufacturer PIDs

Wireless unlink - the item allows you to unlink the Eminere MC from a DMX transmitter (Wireless DMX version of the Eminere only).

LED calibration 4byte HEX! (RGBW/RGBA) - the item shows 4 bytes of calibration values for calibrated white colours of RGBW(RGBA) Eminere MC.

E.g.



CTC channel has to be set to some calibrated white colour (21 DMX-1800K, 66 DMX-2700K, 91 DMX-3200K, 141 DMX-4200K, 211 DMX-5600K, 255 DMX-6500K) otherwise the item shows values "ff ff ff ff" (and calibration values cannot be saved to the Eminere MC).

Warning!

Changing and saving values in this item will effect calibrated white colour(s) of the Eminere .

Insect friendly light - the item effects RGBA Eminere MC only. If the item is on, blue colour is not used in calibrated white colours. This modification of white lights results in a smaller attraction of white light for insects (mosquitos, moths..). The function is also available from DMX chart (channel Special Function, range 7-10 DMX).

Pixel Swap – the item allows you to swap the pixel order (for Eminere MC 2/3/4 only).

Terminator active - the item allows you to terminate line of Emineres MC at last Eminere MC.

4. Software update

Software update of Eminere MC has to be done by means of the software ROBE Uploader running on PC. The ROBE Uploader is a software for automatized software update of ROBE fixtures. The ROBE Uploader switches Emineres MC to the update mode automatically.

Please see <https://www.robe.cz/robe-uploader/> for more information.

DMX or Ethernet connection via E-box

If the option **Standard** is selected from the menu **E-box mode** and LED modules are connected in series, the E-box will be updated including connected Eminere MC modules. You have to use the file [EminereEbox.lib](#) in the ROBE Uploader for this operating mode.

If the option **Pass-Thr** is selected from the menu **E-box mode** and LED modules are connected in series, you have to do the following steps to update Emineres MC including the E-box:

1. Set the E-box to the Standard mode and switch it off/on. Only E-box will be shown in the ROBE Uploader. You have to use the file `EminereEbox.lib` in the ROBE Uploader for software update of the E-box and connected LED modules.
2. After updating, set the E-box to the Pass-Thorough mode and switch it off/on.

For more information about updating please see the E-box Lite/Daisy/Star user manual.

5. Technical specifications

Power supply

- Electronic auto-ranging
- Input voltage: 120 - 277V AC, 50/60 Hz
- Power consumption:
 - Eminere 1 MC: 25W
 - Eminere 2 MC: 45W
 - Eminere 3 MC: 65W
 - Eminere 4 MC: 85W
- Inrush current:
 - Eminere 1 MC: <70A/250µs
 - Eminere 2 MC: <70A/250µs
 - Eminere 3 MC: <100A/200µs
 - Eminere 4 MC: <100A/200µs

Optic

- Light source:
 - Eminere 1 MC: 4 x high power multi chip LEDs
 - Eminere 2 MC: 8 x high power multi chip LEDs LEDs
 - Eminere 3 MC: 12 x high power multi chip LEDs LEDs
 - Eminere 4 MC: 16 x high power multi chip LEDs LEDs
- Colour variants: RGBW (W=6500K, RGBA, PW (3000K), TW (3000K-6500K))
- Beam Angle:
 - Symmetrical: 9°, 15°, 25°, 35°, 45°, 65°, 100°
 - Bi-symmetrical: 10° x 30°, 30° x 10°, 10° x 60°, 60° x 10°, 15° x 45°, 45° x 15°, 15° x 90°, 90° x 15°, 35° x 60°, 60° x 35°, 30° x 90°, 90° x 30°
- Projected Lumen Maintenance: L90B10 >90.000 hrs, Ta = 25°C / 77°F

Compatible drivers

- E-box Daisy
 - 1 Output
 - 1 Main power Input
 - Control: DMX, Art-Net, sACN , W-DMX control, RDM
 - Pixel control (1px= 1ft)
 - 120-277V Input
 - Connection via terminal blocks, inlets via grommet
 - IP67
- E-box Star
 - 6 outputs
 - 1 Main power Input
 - Control: DMX, Art-Net, sACN , W-DMX control, RDM
 - Pixel control (1px= 1ft)
 - 120-277V Input
 - Connection via terminal blocks, inlets via grommet
 - IP67
- E-box Lite
 - 1 output
 - 1 Main power Input
 - Control: DMX, W-DMX control, RDM
 - Pixel control (1px= 1ft)
 - 120-277V Input
 - Connection via screw terminal blocks, inlets via grommet
 - IP67

Mounting method

- Via two L-shape brackets
- LED module “tilt” adjustment range: -95°/+95°

Sizes

- Eminere 1 MC (300mm / 1ft)
- Eminere 2 MC (600mm / 2ft)
- Eminere 3 MC (900mm / 3ft)
- Eminere 4 MC (1200mm / 4ft)

Housing

- Aluminium extruded body with die-casted end caps
- Tempered glass

Cooling system

- Convection

Total heat dissipation

- Eminere 1 MC: 61 BTU/h (calculated)
- Eminere 2 MC: 130 BTU/h (calculated)
- Eminere 3 MC: 177 BTU/h (calculated)
- Eminere 4 MC: 228 BTU/h (calculated)

Protection factor

- CE: IP 67
- US: Suitable for wet location

Impact rating

- CE: IK06

Operating ambient temperature range

- -20°C /+40°C (-4°F /+104°F)

Operating temperature

- +67°C @ Ambient +40°C (+153°F @ Ambient +104°F)

Connection

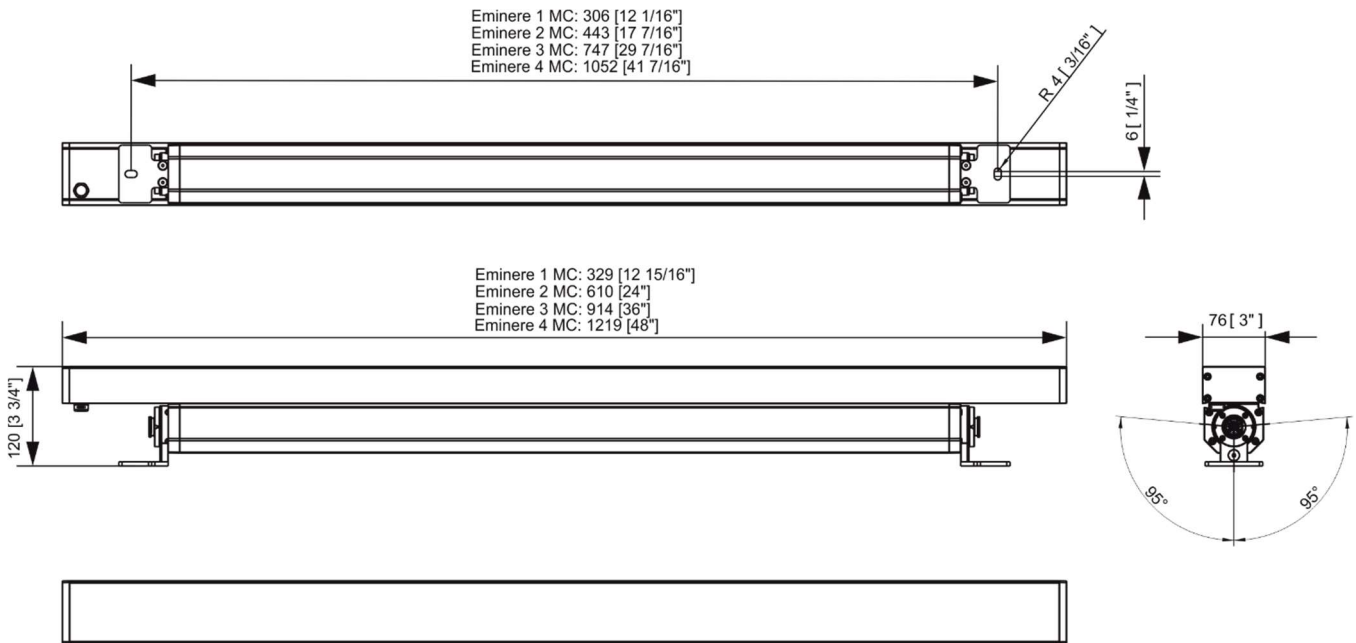
- Input: panel connector Amphenol ABAB-DMQ06000021-IN (P/N13052952)
- Output: panel connector Amphenol ABAB-DAQ06000021 (P/N13052953) + water-tight cap

Weight

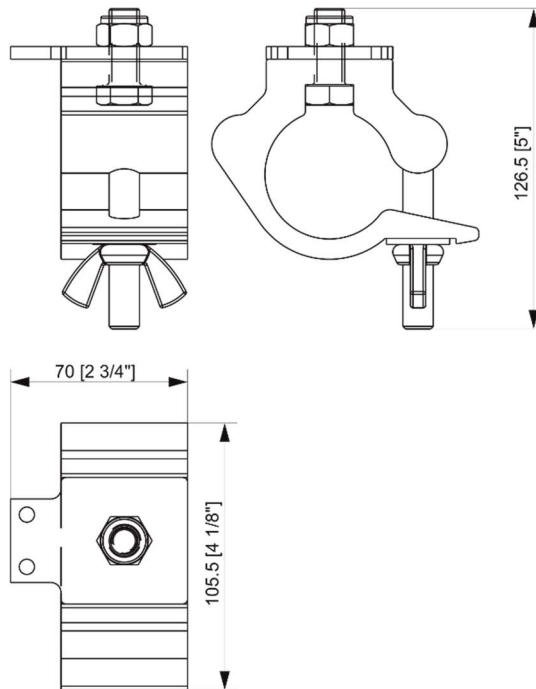
- Eminere 1 MC: 2.7 kg (6 lbs)
- Eminere 2 MC: 4.2 kg (9.3 lbs)
- Eminere 3 MC: 6.22 kg (13.7 lbs)
- Eminere 4 MC: 7.9 kg (17.4 lbs)

Eminere MC

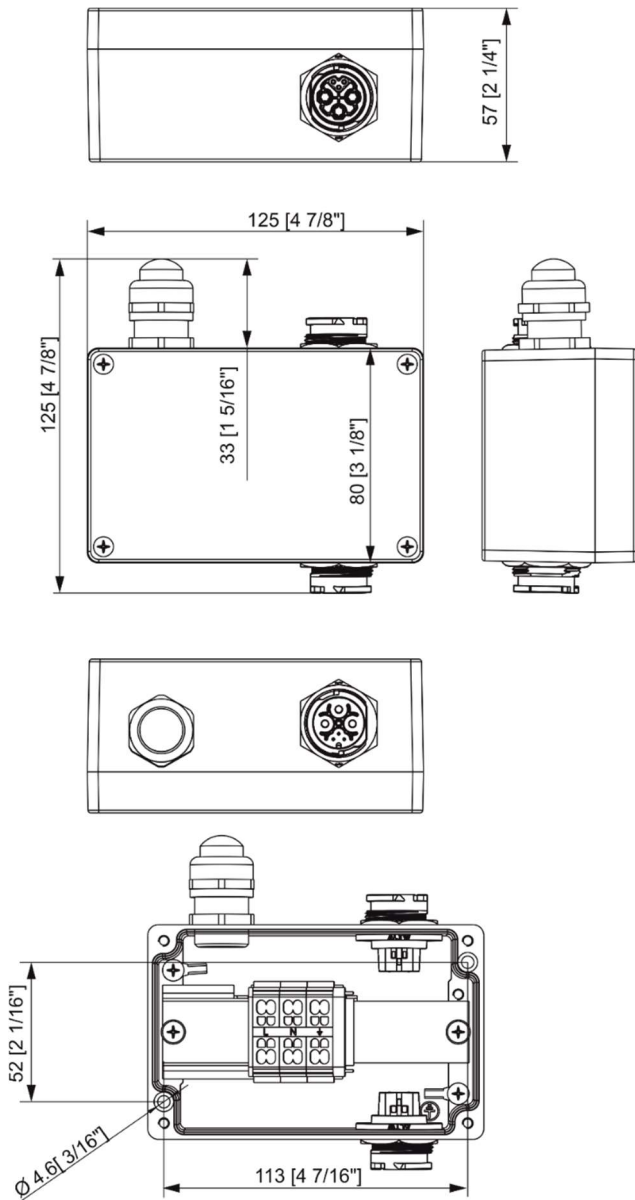
Dimensions (All dimensions in mm [inch])



- C-Clamp



• Booster box



Included items

- 1 x Eminere
- 1 x User manual

Optional accessories

CE Leader Cables FF:

- Leader Cable FF 2m (P/N 13053438)
- Leader Cable FF 5m (P/N 13053440)
- Leader Cable FF 10m (P/N 13053436)
- Leader Cable FF 25m (P/N 13053437)
- Leader Cable FF 50m (P/N 13053439)

US Leader Cables FF:

Leader Cable FF 2m (P/N 13053433)
Leader Cable FF 5m (P/N 13053435)
Leader Cable FF 10m (P/N 13053431)
Leader Cable FF 25m (P/N 13053432)
Leader Cable FF 50m (P/N 13053434)

Jumper Cables FF/FM:

Jumper Cable FF/FM 0.25m (P/N 13053422)
Jumper Cable FF/FM 0.5m (P/N 13053423)
Jumper Cable FF/FM 1m (P/N 13053425)
Jumper Cable FF/FM 2m (P/N 13053427)
Jumper Cable FF/FM 3m (P/N 13053428)
Jumper Cable FF/FM 5m (P/N 13053430)
Jumper Cable FF/FM 10m (P/N 13053424)

Terminal KE 106, diameter 0.14mm² (P/N 13053403)

Waterproof Cover Cap FM ZAHB-0006 (P/N 17031173)
Field Installable Connector FF (P/N 13053003)
Field Installable Connector FM (P/N 13053004)
C-clamp adaptors for Eminere (P/N 10980860)

E-boxes:

E-box Daisy (P/N 10063655)
E-box Daisy/W (P/N 10063638)
E-box Lite (P/N 10063657)
E-box Lite/W (P/N 10063653)
E-box Star (P/N 10063656)
E-box Star/W (P/N 10063644)

Booster box (P/N 10063712)

Shield for Eminere 1 RAL9011 (P/N 10980488)
Shield for Eminere 2 RAL9011 (P/N 10980489)
Shield for Eminere 3 RAL9011 (P/N 10980490)
Shield for Eminere 4 RAL9011 (P/N 10980491)

Cable Cover for Eminere 1 RAL9011 (P/N 10980484)
Cable Cover for Eminere 2 RAL9011 (P/N 10980485)
Cable Cover for Eminere 3 RAL9011 (P/N 10980486)
Cable Cover for Eminere 4 RAL9011 (P/N 10980487)

Mounting Brackets for Eminere 100mm, 2pcs RAL9011 (P/N 10980493)
Mounting Brackets for Eminere 200mm, 2pcs RAL9006 (P/N 10980529)
Mounting Brackets for Eminere 200mm, 2pcs RAL9011 (P/N 10980494)
Mounting Brackets for Eminere 300mm, 2pcs RAL9006 (P/N 10980576)
Mounting Brackets for Eminere 300mm, 2pcs RAL9011 (P/N 10980495)
Mounting Brackets for Eminere 50mm, 2pcs RAL9011 (P/N 10980525)

leaning and maintenance

DANGER !
Disconnect from the mains before starting any maintenance or cleaning work

Rinse off loose dirt with low pressure water spray. Wash the housing with a soft brush or sponge and a mild, non-abrasive washing detergent. Rinse it.

Maintenance and service operations are only to be carried out by a qualified person.

Should you need any spare parts, please use ROBE OEM parts.

6.1 Disposing of the product

To preserve the environment please dispose or recycle this product at the end of its life according to the local regulations and codes.

7. ChangeLog

This section summarizes changes in the user manual.

Version of manual	Date of issue	Description of changes
1.1	05/09/2023	C-clamps installation added
1.2	13/09/2023	Jumper and leader cables numbers changed
1.3	30/01/2024	Control panel of RDM manager added, DMX chart ver. 3.3
1.4	13/09/2024	Numbers of Emineres in Standard Mode changed

Specifications are subject to change without notice.

September 13, 2024

Copyright © 2019-2024 Robe Lighting - All rights reserved

Made in CZECH REPUBLIC by ROBE LIGHTING s.r.o. Palackeho 416/20 CZ 75701 Valasske Mezirici

**DMX protocol for: Eminere 1/2/3/4; Eminere Side 1/2/3/4;
Eminere Inground 2/4; Eminere Remote 1/2/3/4;
UVinere 2/4; UVinere Remote 1/2/4**

Version: 3.3 (23 modes in total), software version 3.0 and higher

Mode/Channels in all								Mode 1: RGBW(A)-8bit, Mode 2: RGB 8-bit, Mode 3: full RGBW(A)	
1	2	3	4	5	6	7	8-10	Mode 4: White-full control, Mode 5: Reduced RGBW(A)	
4	3	12	3	6	8	15	Reserved	Mode 6- Reduced RGBW(A)+white control	
								Mode 7- full RGBW(A)+virtual colour wheel	
								RGBW(A) / RGB modes	
Mode/channels							DMX Value	Function	Type of control
1	2	3	4	5	6	7			
-	-	-	-	-	-	1	0	Special functions No function	step
								<i>To activate following functions , stop in DMX value for at least 3 sec.</i>	
							1-2	Save current DMX values to fixture as initial DMX values.	step
							3-4	Show saved initial DMX values	step
							5-6	Run factory demo sequences at switching fixture on (without DMX)	step
							7-8	Insect friendly light On (RGBA version only)	step
							9-10	Insect friendly light Off (RGBA version only)	step
							11-255	Reserved	
1	1	1	-	1	1	2	0-255	Red Red LEDs saturation control (0-100%)	proportional
-	-	2	-	-	-	3	0-255	Red Fine Red LEDs saturation control fine	proportional
2	2	3	-	2	2	4	0-255	Green Green LEDs saturation control (0-100%)	proportional
-	-	4	-	-	-	5	0-255	Green Fine Green LEDs saturation control fine	proportional
3	3	5	-	3	3	6	0-255	Blue Blue LEDs saturation control (0-100%)	proportional
-	-	6	-	-	-	7	0-255	Blue Fine Blue LEDs saturation control fine	proportional
4	-	7	-	4	4	8	0-255	White (Amber) White LEDs saturation control (0-100%)	proportional
-	-	8	-	-	-	9	0-255	White (Amber) Fine White LEDs saturation control fine	proportional
-	-	9	1	-	5	10	0	Green correction Uncorrected white	step
							1-127	Minus green --> uncorrected white	proportional
							128	Uncorrected white (128=default)	step
							129-255	Uncorrected white --> Plus green	proportional
-	-	10	2	-	6	11	0	Colour temperature correction (CTC) No function	step
							1-10	Tungsten dimming 2700 K	step
							11-20	Tungsten dimming 3200 K	step
							21-255	Colour temperature changing from 1800 K --> 6500 K	proportional

DMX protocol

Mode/channels							DMX Value	Function	Type of control
1	2	3	4	5	6	7			
								(21-1800K, 66-2700K, 91-3200K,141-4200K, 211-5600K, 255-6500K)	
-	-	-	-	-	-	12		Virtual Colour Wheel	
							0	No function	step
							1-2	White 1800 K	step
							3-4	White 2700 K	step
							5-6	White 3200 K	step
							7-8	White 4200 K	step
							9-10	White 5600 K	step
							11-12	White 6500 K	step
							13	Blue (Blue=full, Red+Green+White/Amber=0)	step
							14-23	Red=0, Green->up,Blue =full, White/Amber=0	proportional
							24	Cyan (Red=0, Green=full, Blue =full, White/Amber=0)	step
							25-34	Red=0, Green=full, Blue->down, White/Amber=0	proportional
							35	Green (Red=0, Green=full, Blue =0, White/Amber=0)	step
							36-45	Red->up, Green=full, Blue=0, White/Amber=0	proportional
							46	Yellow (Red=full, Green=full, Blue=0, White/Amber=0)	step
							47-56	Red=full, Green->down, Blue=0, White/Amber=0	proportional
							57	Red(Red=full, Green=0, Blue=0, White/Amber=0)	step
							58-67	Red=full, Green=0, Blue->up, White/Amber=0	proportional
							68	Magenta (Red=full, Green=0, Blue=full, White/Amber=0)	step
							69-78	Red -> down, Green=0, Blue=full, White/Amber=0	proportional
							79	Blue (Red=0, Green=0, Blue=full, White/Amber=0)	step
								Transition effects	
							80-87	Rainbow effect (with fade time) from slow-> fast	proportional
							88-95	Rainbow effect (without fade time) from slow-> fast	proportional
							96-103	Full dynamic white (1800K->6500K->1800K) (with fade time) from slow-> fast	proportional
							104-111	Full dynamic white (1800K->6500K->1800K) (without fade time) from slow-> fast	proportional
							112-119	Dynamic warm white (1800K-3000K-1800K) (with fade time) from slow-> fast	proportional
							120-127	Dynamic warm white (1800K-3000K-1800K) (without fade time) from slow-> fast	proportional
							128-135	Rainbow effect + full dynamic white (with fade time) from slow-> fast	proportional
							136-143	Rainbow effect + full dynamic white (without fade time) from slow-> fast	proportional
							144-151	Blue/Green effect (with fade time) from slow-> fast	proportional
							152-159	Blue/Green effect (without fade time) from slow-> fast	proportional
							160-167	Red/Blue effect (with fade time) from slow-> fast	proportional
							168-175	Red/Blue effect (without fade time) from slow-> fast	proportional
							176-183	Green/Red effect (with fade time) from slow-> fast	proportional
							184-191	Green/Red effect (without fade time) from slow-> fast	proportional
							192-199	Blue/4000K effect (with fade time) from slow-> fast	proportional
							200-207	Blue/4000K effect (without fade time) from slow-> fast	proportional
							208-215	Green/4000K effect (with fade time) from slow-> fast	proportional
							216-223	Green/4000K effect (without fade time) from slow-> fast	proportional
							224-231	Red/4000K effect (with fade time) from slow-> fast	proportional
							232-239	Red/4000K effect (without fade time) from slow-> fast	proportional
							240-255	Reserved	

DMX protocol

Mode/channels							DMX Value	Function	Type of control
1	2	3	4	5	6	7			
						13		Shutter/Strobe	
							0-31	Shutter closed	step
							32-63	Shutter open	step
							64-95	Strobe-effect from slow to fast	proportional
							96-127	Shutter open	step
							128-143	Opening pulse in sequences from slow to fast	proportional
							144-159	Closing pulse in sequences from fast to slow	proportional
							160-191	Shutter open	step
							192-223	Random strobe-effect from slow to fast	proportional
							224-255	Shutter open	step
-	-	11	3	5	7	14		Dimmer	
							0-255	Light intensity coarse (0-100%)	proportional
-	-	12	-	6	8	15		Dimmer Fine	
							0-255	Light intensity fine	proportional
Copyright © 2022-2024 Robe Lighting s.r.o. - All rights reserved									
All Specifications subject to change without notice									

DMX protocol for: Eminere 1/2/3/4; Eminere Side 1/2/3/4; Eminere Inground 2/4; Eminere Remote 1/2/3/4; UVinere 2/4; UVinere Remote 1/2/4					
Version: 3.3 (23 modes in total)					
Mode/Channels in all				Mode 11: White selection, Mode 12: WW + CW	
11	12	13	14-16	Mode 13: Only dimmer	
3	4	2	Reserved	<i>Mode 13 is suitable for UVinere and UVinere Remote</i>	
TW and PW modes					
Mode/channels			DMX Value	Function	Type of control
11	12	13			
1	-	-	0 - 255	White colour selection White from 2700 K - 6500 K	proportional
-	1	-	0 - 255	Warm White Warm White LEDs saturation control (0-100%)	proportional
-	2	-	0 - 255	Cool White Cool White LEDs saturation control (0-100%)	proportional
2	3	1	0 - 255	Dimmer Light intensity coarse (0 - 100%)	proportional
3	4	2	0 - 255	Dimmer Fine Light intensity fine	proportional
Copyright © 2022-2024 Robe Lighting s.r.o. - All rights reserved					
All Specifications subject to change without notice					

**DMX protocol for: Eminere 1/2/3/4; Eminere Side 1/2/3/4;
Eminere Inground 2/4; Eminere Remote 1/2/3/4;**

Version: 3.3 (23 modes in total)

Mode/Channels in all					Mode 17: RGBW(A) pixels, Mode 18: RGB pixels, Mode 19: TW pixels,		
17	18	19	20	21-23	Mode 20: PW dimmer pixels		
16	12	8	8	Reserved			
Mode/channels					DMX Value	Pixel modes	Type of control
17	18	19	20		Function		
1	1	-	-	0 - 255	Red 1 -Eminere 1/2/3/4 Red LEDs saturation control (0-100%)	proportional	
2	2	-	-	0 - 255	Green 1-Eminere 1/2/3/4 Green LEDs saturation control (0-100%)	proportional	
3	3	-	-	0 - 255	Blue 1-Eminere 1/2/3/4 Blue LEDs saturation control (0-100%)	proportional	
4	-	-	-	0 - 255	White (Amber) 1-Eminere 1/2/3/4 White LEDs saturation control (0-100%)	proportional	
5	4	-	-	0 - 255	Red 2 -Eminere 2/3/4 Red LEDs saturation control (0-100%)	proportional	
6	5	-	-	0 - 255	Green 2-Eminere 2/3/4 Green LEDs saturation control (0-100%)	proportional	
7	6	-	-	0 - 255	Blue 2-Eminere 2/3/4 Red LEDs saturation control (0-100%)	proportional	
8	-	-	-	0 - 255	White (Amber) 2-Eminere 2/3/4 White LEDs saturation control (0-100%)	proportional	
9	7	-	-	0 - 255	Red 3-Eminere 3/4 Red LEDs saturation control (0-100%)	proportional	
10	8	-	-	0 - 255	Green 3-Eminere 3/4 Green LEDs saturation control (0-100%)	proportional	
11	9	-	-	0 - 255	Blue 3-Eminere 3/4 Blue LEDs saturation control (0-100%)	proportional	
12	-	-	-	0 - 255	White (Amber) 3-Eminere 3/4 White LEDs saturation control (0-100%)	proportional	
13	10	-	-	0 - 255	Red 4-Eminere 4 Red LEDs saturation control (0-100%)	proportional	
14	11	-	-	0 - 255	Green 4-Eminere 4 Green LEDs saturation control (0-100%)	proportional	
15	12	-	-	0 - 255	Blue 4-Eminere 4 Blue LEDs saturation control (0-100%)	proportional	
16	-	-	-	0 - 255	White (Amber) 4 -Eminere 4 White LEDs saturation control (0-100%)	proportional	
-	-	1	-		Warm White 1 -Eminere 1/2/3/4 Warm White LEDs saturation control (0-100%)	proportional	
-	-	2	-	0 - 255	Cool White 1-Eminere 1/2/3/4 Cool White LEDs saturation control (0-100%)	proportional	
-	-	3	-		Warm White 2-Eminere 2/3/4		

DMX protocol

Mode/channels				DMX Value	Function	Type of control
17	18	19	20			
				0 - 255	Warm White LEDs saturation control (0-100%)	proportional
-	-	4	-	0 - 255	Cool White 2-Eminere 2/3/4 Cool White LEDs saturation control (0-100%)	proportional
-	-	5	-	0 - 255	Warm White 3-Eminere 3/4 Warm White LEDs saturation control (0-100%)	proportional
-	-	6	-	0 - 255	Cool White 3-Eminere 3/4 Cool White LEDs saturation control (0-100%)	proportional
-	-	7	-	0 - 255	Warm White 4 -Eminere 4 Warm White LEDs saturation control (0-100%)	proportional
-	-	8	-	0 - 255	Cool White 4 -Eminere 4 Cool White LEDs saturation control (0-100%)	proportional
-	-	-	1	0 - 255	Dimmer 1 Light intensity coarse (0 - 100%)	proportional
-	-	-	2	0 - 255	Dimmer Fine 1 Light intensity fine	proportional
-	-	-	3	0 - 255	Dimmer 2 Light intensity coarse (0 - 100%)	proportional
-	-	-	4	0 - 255	Dimmer Fine 2 Light intensity fine	proportional
-	-	-	5	0 - 255	Dimmer 3 Light intensity coarse (0 - 100%)	proportional
-	-	-	6	0 - 255	Dimmer Fine 3 Light intensity fine	proportional
-	-	-	7	0 - 255	Dimmer 4 Light intensity coarse (0 - 100%)	proportional
-	-	-	8	0 - 255	Dimmer Fine 4 Light intensity fine	proportional
Copyright © 2022-2024 Robe Lighting s.r.o. - All rights reserved						
All Specifications subject to change without notice						