

UVINERE REMOTE 1 / 2 / 4

An excellent solution for theme parks and entertainment venues where an attention-grabbing UV effect is required, UVinere Remote produces a true black light effect. Available in 1-foot, 2-foot or 4-foot models, UVinere Remote evenly distributes UV output with a wavelength of 365 nm for a wide range of installations and designs. Utilising a powered E-Box Remote, control for the UVinere Remote is made possible over DMX (hard-wired or wireless) or Ethernet protocols. Consistent with the design quality of the entire Anolis product portfolio, the UVinere Remote range is robust and extremely durable with IP67 and IK06 ratings.



KEY FEATURES

Optics & Control

With a wavelength of 365 nm, UVinere Remote provides UVA black light using 10,000-hour lifetime LEDs which can be powered by E-Box Remote range and utilises DMX (wired or wireless) or ethernet protocols for control.

Physical

UVinere Remote is available in three physical models; 1-foot, 2-foot and 4-foot LED luminaires. At only 39 mm of total height, UVinere Remote is suitable for any low-profile application.

Durability

Robust and durable, UVinere Remote fulfills both IP67 and IK06 certification, backed by a 2-year warranty.

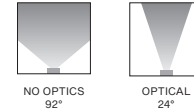
COLOURS



CONTROL & PROTOCOLS



OPTIC OPTIONS



STANDARD & SPECIFICATION



FINISH OPTIONS

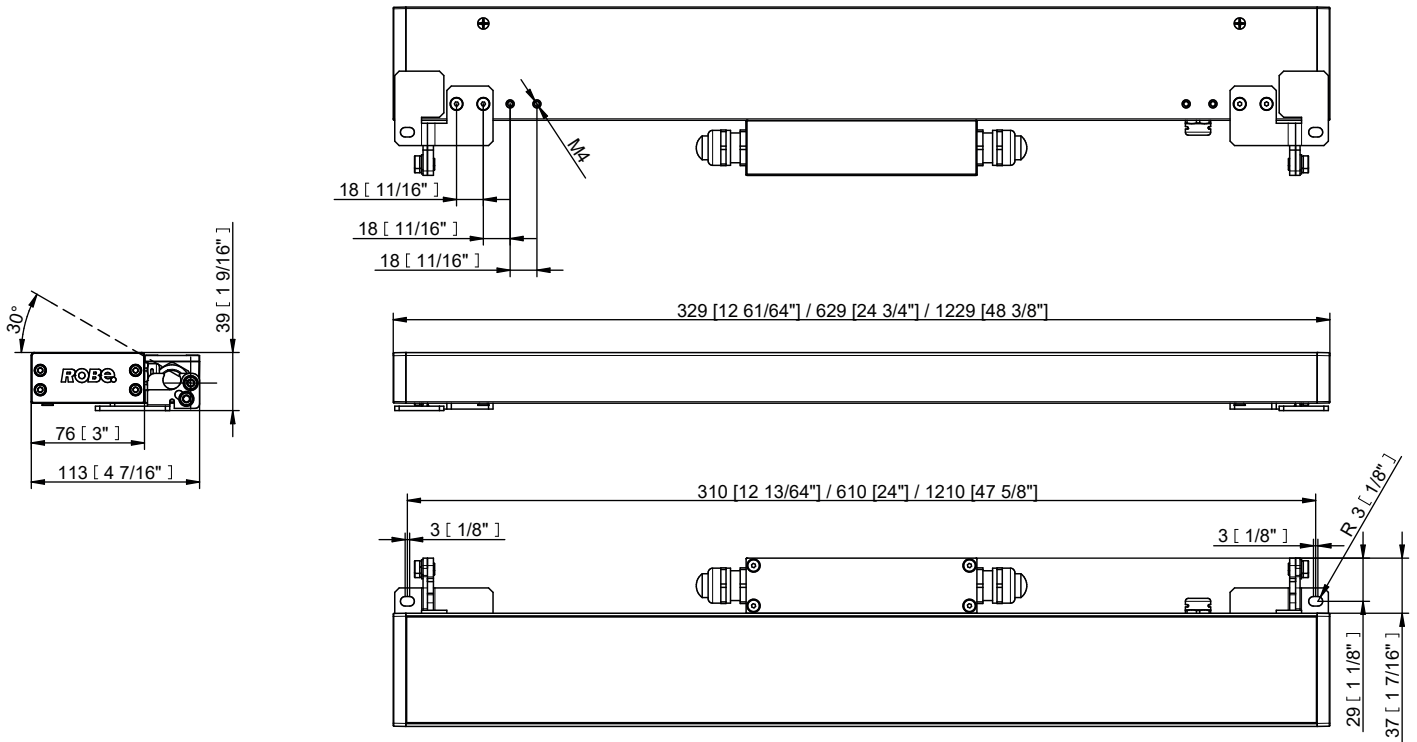
* CLOSEST RAL TONE
* HE = Harsh Environment



SPECIFICATION

ELECTRICAL	Input Voltage	48 V		
	Typical Power Consumption	UVinere Remote 1: 20 W	UVinere Remote 2: 40 W	UVinere Remote 4: 80 W
OPTICAL	Light Source	UVinere Remote 1 / 2 / 4: 8 / 16 / 32x UV LEDs		
	UV-A LEDs Wave Length	365 nm		
	Beam Angle	Optical version: 24°	Non-optical version: 92°	
	LEDs lifetime	10.000 hrs		
CONTROL	Interface Protocol	Via E-Box Remote range		
	E-Box Remote Control Protocols	USITT DMX512, RDM, ArtNet, MA Net, MA Net2, sACN, Kling-Net		
	Settings / Addressing	Via Two Row LCD Display with Control Buttons on E-Box Remote or RDM communicator		
	Power Supply	Via E-Box Remote range		
	Connectivity	E-box Remote E-box Remote basic	16 pcs of UVinere Remote 1 (50m cable - total length) via 1 Output, 20 pcs in total for both Outputs (25m cable - total length)	
PHYSICAL	Width x Height x Length	UVinere Remote 1	113 x 39 x 329 mm (4.45 x 1.54 x 12.95 in.)	
		UVinere Remote 2	113 x 39 x 629 mm (4.45 x 1.54 x 24.76 in.)	
		UVinere Remote 4	113 x 39 x 1229 mm (4.45 x 1.54 x 48.39 in.)	
	Weight	2 kg 4.41 lbs	3.1 kg 6.83 lbs	5.1 kg 11.24 lbs
	Housing	High Pressure Extruded Aluminium Body		
		End Caps - Die-Cast Aluminium		
		Tempered Glass		
	Finish Options	Standard Colour	Graphite Black RAL 9011 Grey Aluminium RAL 9007 Pure White RAL 9010 Sandstone RAL 1014	
		Standard Colour Harsh Environment	Graphite Black RAL 9011 Grey Aluminium RAL 9007 Pure White RAL 9010 Sandstone RAL 1014	
		Cost Option	Custom RAL	
Cables / Connections	Integrated Junction Box			
Mounting Method	Surface Mount With Different Type of Brackets			
Adjustability	+ 30°			
Protection Factor	IP67 / Suitable For Wet Locations			
IK Rating	IK06			
Cooling System	Convection			
Operating Ambient Temperature	-20 °C / +40 °C (-4 °F / +104 °F)			
Operating Temperature	+67°C @ Ambient +40°C (+153°F @ Ambient +104°F)			
CERTIFICATION	Listings	CE, RoHS, UKCA		
ACCESSORIES	Not Included Items			
	Cables	Cabel for UVinere Remote - bare end (custom length)		
	Mounting Brackets	Mounting Brackets 100 200 300 mm custom length		
		Wall Mount Brackets for Eminere Remote		
		Re-enterable Electrical Insulating Resin		
Optical	Black Glass Adaptor for UVinere Remote 1 / 2 / 4			

DIMENSIONS



PROJECTED AREA

	Front (rear) - m ²	Front (rear) ft ²	Side - m ²	Side - ft ²	Top - m ²	Top - ft ²
UVinere Remote 1	0,012	0,129	0,004	0,043	0,035	0,377
UVinere Remote 2	0,022	0,237	0,004	0,043	0,058	0,624
UVinere Remote 4	0,042	0,452	0,004	0,043	0,104	1,119

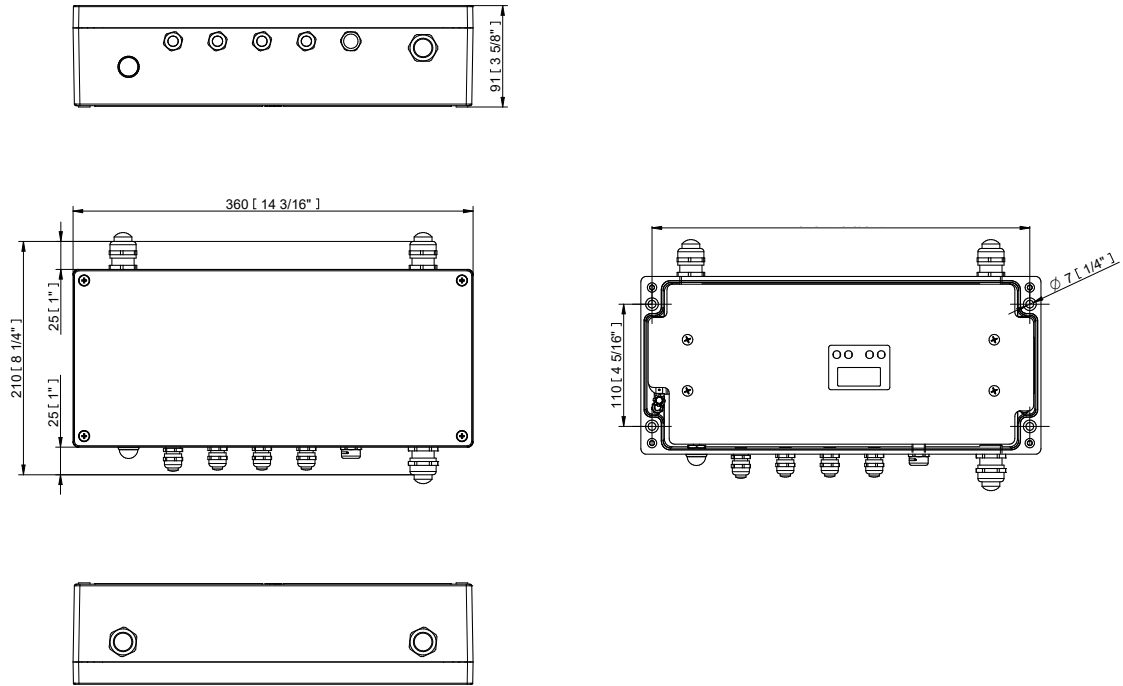
E-BOX REMOTE SPECIFICATION

ELECTRICAL	Input Voltage	120 – 277 V AC 50/60 Hz
	Typical Power Consumption	520 W
CONTROL	Wireless DMX (Option)	Lumen Radio CRMX Technology
	Interface Protocol	USITT DMX512+RDM, ArtNet, MA Net, MA Net2, sACN, Kling-Net
	Operating Modes	Fixture Mode, Pixel Mode, Output Mode
	Display	Via Two Row LCD Display with Control Buttons or RDM communicator
	Control System	E-box With Self Addressing Feature or Custom Setting Via LCD Display/RDM
	Power Supply	Integrated in E-box Remote
	Connectivity	16 pcs of UVinere Remote 1 (50m cable - total length) via 1 Output, 20 pcs in total for both Outputs (25m cable - total length)
PHYSICAL	Length x Width x Height Weight	360 x 210 x 91 mm (14.17 x 8.27 x 3.58 in.) 5.5 kg / 12.13 lbs
	Number of LED Output zones	2
	Max. Load Per Output	8 pcs of UVinere Remote 2 (50m cable) via 1 Output
	Housing	Die-Cast Aluminium Case
	Finish Options	Standard Colour - Graphite Black (RAL 9011) Silver (RAL 9006)
		Cost Option - Custom RAL Harsh Environment (RAL 9016, RAL 9011)
	Cables / Connections	Cable Grommet (stainless steel)
	Mounting Method	Surface Mount, 4 Mounting Holes
	Protection Factor	IP65 / Suitable For Wet Locations
	IK Rating	IK10
	Cooling System	Convection
Operating Ambient Temperature	-20 °C / +40 °C (-4 °F / +104 °F)	
CERTIFICATION	Listings	ETL / cETL, CE, RoHS, UKCA

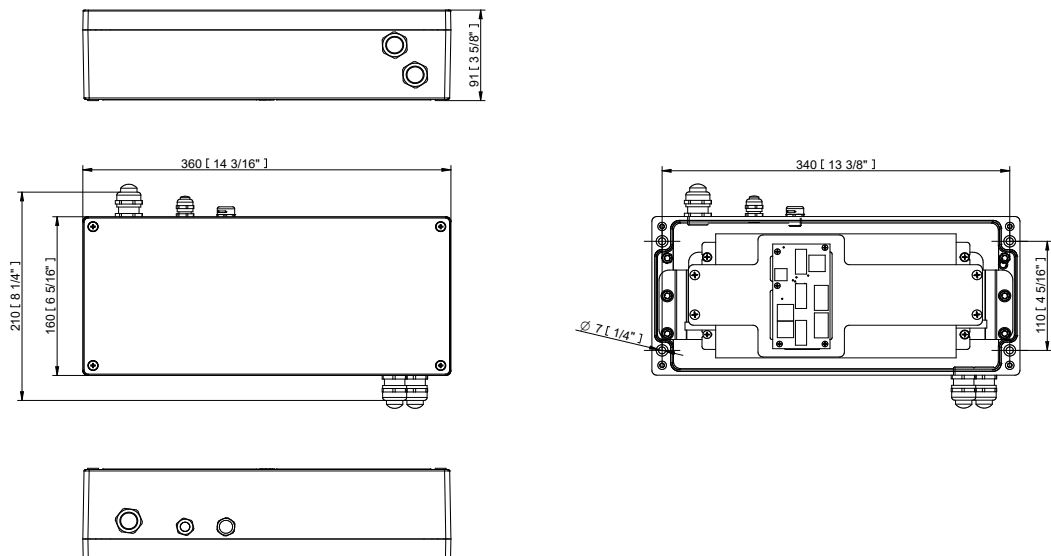
E-BOX REMOTE BASIC SPECIFICATION

ELECTRICAL	Input Voltage	120 - 277 V AC 50/60 Hz
	Typical Power Consumption	520 W
CONTROL	Power supply	Integrated
	Connectivity	16 pcs of UVinere Remote 1 (50m cable - total length) via 1 Output, 20 pcs in total for both Outputs (25m cable - total length)
PHYSICAL	Length x Width x Height Weight	360 x 210 x 91 mm (14.17 x 8.27 x 3.58 in.) 5 kg / 11.02 lbs
	Number of LED Output zones	2
	Max. Load Per Output	8 pcs of UVinere Remote 2 (50 m cable) via 1 Output
	Housing	Die-Cast Aluminium Case
	Finish Options	Standard Colour - Graphite Black (RAL 9011) Silver (RAL 9006)
		Cost Option - Custom RAL, Harsh Environment (RAL 9016, RAL 9011)
	Cables / Connections	Cable Grommet (stainless steel)
	Mounting Method	Surface Mount, 4 Mounting Holes
	Protection Factor	IP65 / Suitable For Wet Locations
	IK Rating	IK10
	Cooling System	Convection
Operating Ambient Temperature	-20 °C / +40 °C (-4 °F / +104 °F)	
CERTIFICATION	Listings	ETL / cETL, CE, RoHS, UKCA

E-BOX REMOTE DIMENSIONS



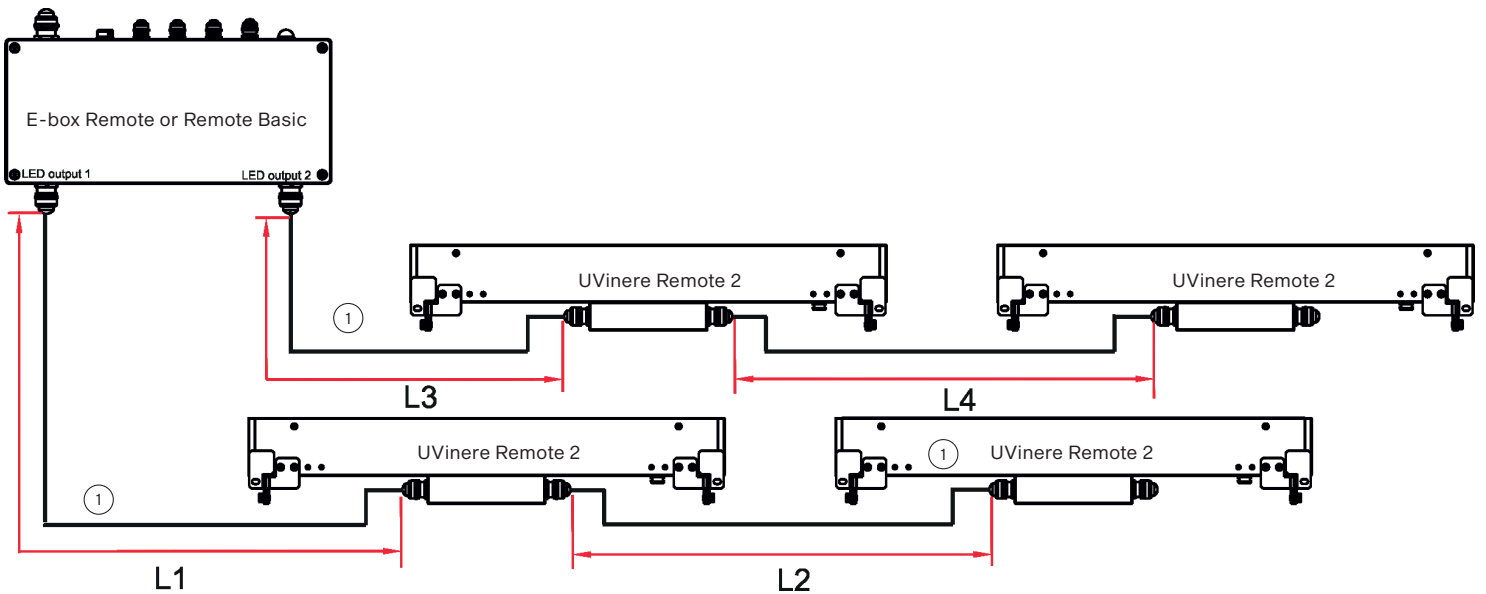
E-BOX REMOTE BASIC DIMENSIONS



CONNECTION

The table states max. number of UVinere Remote modules connected to the E-box Remote or Remote Basic.

Cable length (m)	Max. number of UVineres Remote connected to the E-Box Remote or Remote Basic		
	UVINERE REMOTE 1	UVINERE REMOTE 2	UVINERE REMOTE 4
25	20	10	5
50	16	8	4
75	13	6	3
100	10	5	2

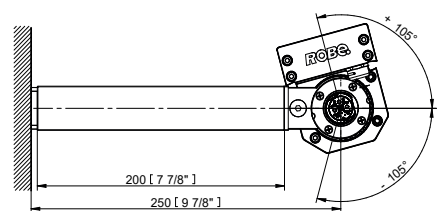
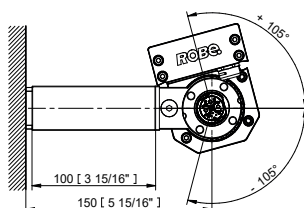
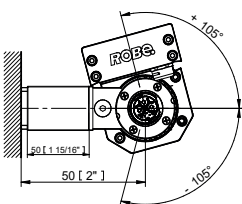


1) SJTW 5x 14AWG (13053336)

* Cable length is a total cable length between E-box Remote (or Remote Basic) and last connected UVinere Remote. Example: Total cable length=L1+L2+L3+L4

ACCESSORIES

Mounting brackets



Wall Mount Brackets for Eminere Remote

