

# LYRAE™ XS FIX SC

Difficult inground installations are made easier with the Lyrae XS Fix SC. High light output comes from powerful LEDs and it can be used with a variety of optics, from narrow to wide, in addition to an bi-symmetrical option. Additionally, Lyrae XS Fix SC can be equipped with anti-skid glass featuring the highest standards of certification for anti-slip usage having no impact on the fixture's outstanding colour mixing.



## KEY FEATURES

### Lumen output & Light source

Luminaire with high-power LEDs provides light output with a high efficacy. Offering a choice of multiple LED colour variants, precise beam control with no light spill, and perfectly homogenised light output, it's an excellent solution for applications requiring high performance in a compact luminaire.

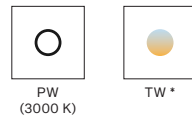
### Design & Durability

Lightweight, compact, durable and stylish housing made of high-pressure die cast aluminium. IP68 and IK10 certification. Supported with a 5 year warranty.

### Flexibility

An exceptionally compact luminaire available with a wide LED choices, and beam angle options, Lyrae XS Fix SC offers the lighting designer a flexible solution for the most demanding applications.

## COLOURS

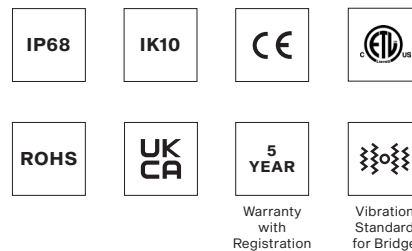


\* UPON REQUEST

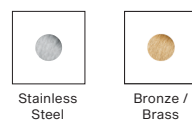
## CONTROL & PROTOCOLS



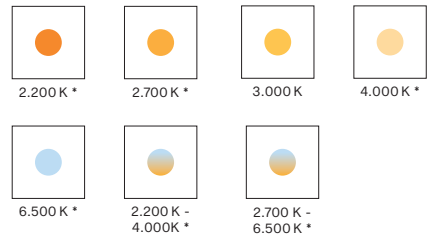
## STANDARD & SPECIFICATION



## TRIM FINISH OPTIONS



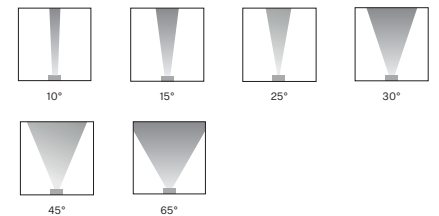
## COLOUR TEMPERATURE



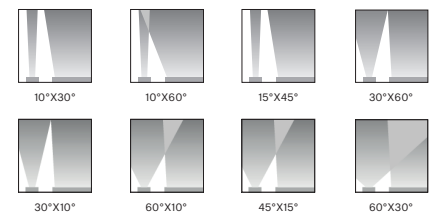
\* UPON REQUEST

## OPTIC OPTIONS

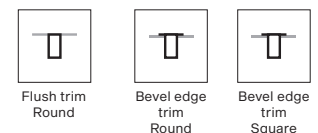
### SYMMETRICAL



### BI-SYMMETRICAL



## TRIM OPTIONS

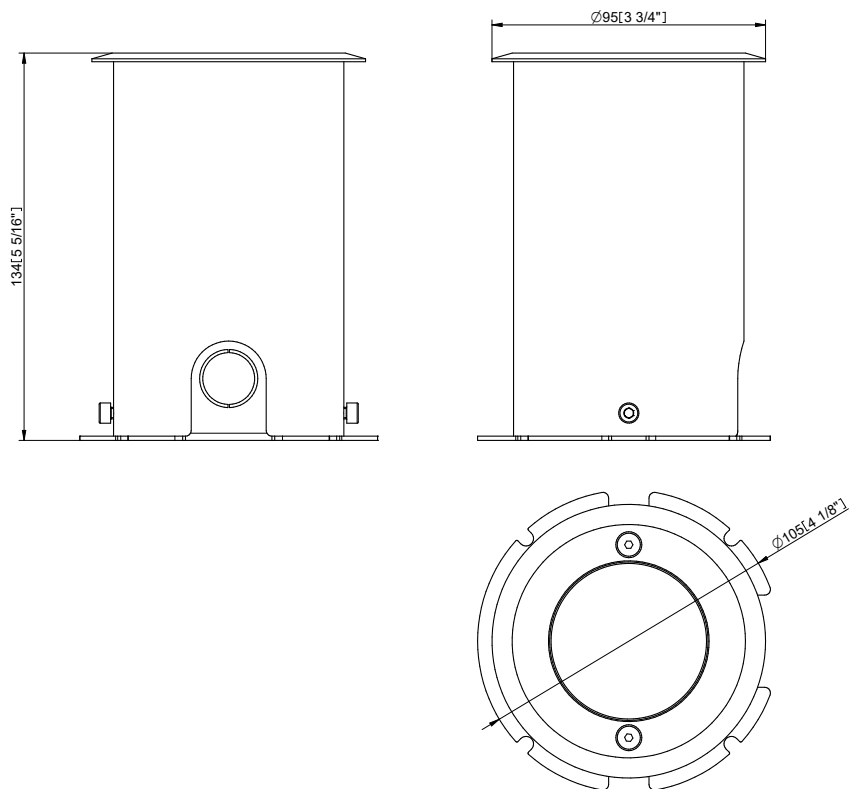


SPECIFICATION

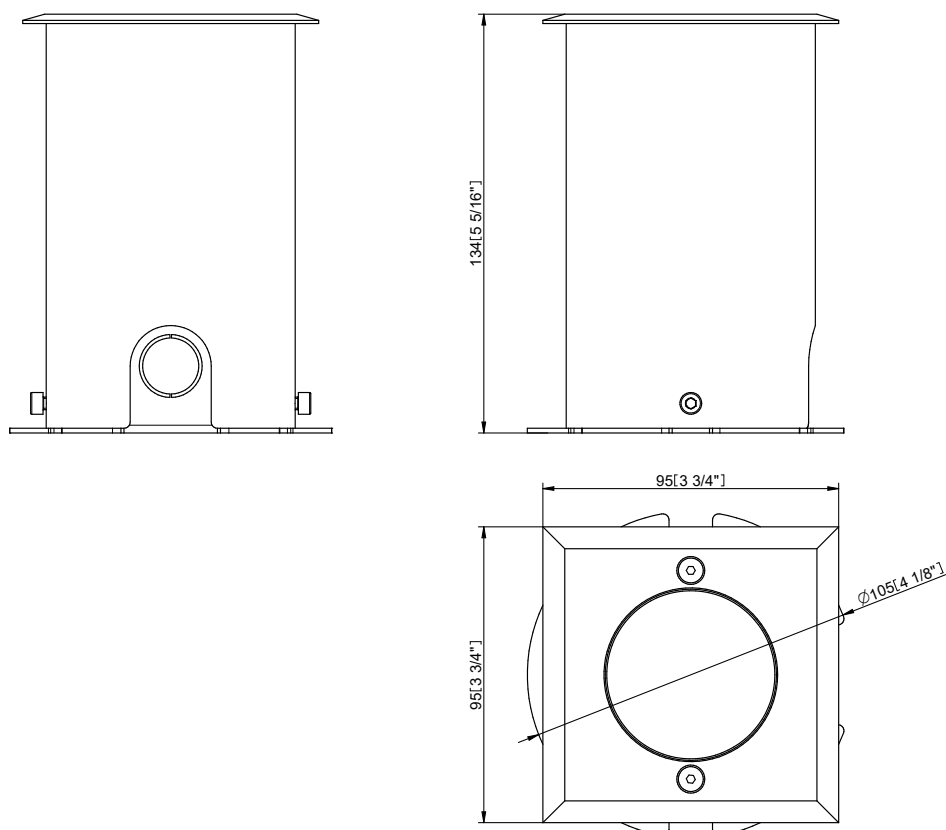
<b>ELECTRICAL</b>	Typical Power Consumption	10 W	
	Input Voltage	48 V	
<b>OPTICAL</b>	Light Source	High Power Single Chip LED	
	Colour Variants	PW (3000 K)	
		Variants On Request (TW (2200 - 4000 K   2700 - 6500 K)   2200 K   2700 K   4000 K   6500 K)	
	Beam Angle	Clear Glass	Symmetrical: 10°   15°   25°   30°   45°   65° Bi-symmetrical: 10°x30°   30°x10°   10°x60°   60°x10°   15°x45°   45°x15°   30°x60°   60°x30°
		Anti-Skid Glass	Symmetrical: 18°   22°   35°   50° (preliminary) Bi-symmetrical: 20° x 35°   35° x 20°   20° x 65°   65° x 20°   20° x 50°   20° x 50°   35° x 65°   65° x 35° (preliminary)
	Lumen Output Delivered	650 lm (@10° PW 3000 K) (preliminary)	
	Projected Lumen Maintenance	L90B10 >90.000 hrs, Ta = 25°C / 77°F	
<b>CONTROL</b>	Interface protocol	E-box Remote Range	
	E-Box Remote control protocol	USITT DMX512/RDM, ArtNet, MA Net, MA Net2, sACN, Kling-Net	
	Setting / addressing	E-box Remote range	
	Connectivity & Power Supply	E-Box Remote range	
<b>PHYSICAL</b>	Flange Diameter x Diameter x Height	Bevel Edge Trim: Ø 95 x Ø 105 x 134 mm (Ø 3.7 x Ø 4.1 x 5.3 in.)	
	Weight	0.56 kg   1.24 lbs	
	Housing	High Pressure Die-Cast Aluminium Body   Stainless Flange   Tempered Glass (Clear or Anti-Skid)	
	Trim Options	Bevel Edge Trim   Flush Trim	
	Trim Shape	Round   Square	
	Trim Finish Options	Stainless steel   Bronze / Brass	
	Cables / Connectivity	1m cable, bare end (custom length on request)   Junction Box	
	Mounting Method	External Mounting Sleeve	
	Protection Factor	IP68 / Suitable For Wet Locations (8h @ 1m)	
	IK Rating	IK10	
	Static Load Resistance	35 kN (TBC)	
	Cooling System	Convection	
	Operating Ambient Temperature	-20 °C / +40 °C (-4 °F / +104 °F)	
	<b>CERTIFICATION</b>	Listings	ETL / cETL, CE, RoHS, UKCA
<b>ACCESSORIES</b>	<b>Not Included Items</b>		
		Lyrae XS Mounting Sleeve	
		Junction Box Remote (1x Output)	
		Junction Box Remote (4x Output)	
		Re-enterable Electrical Insulating Resin	
<b>DEMO SET</b>		Rock Guard	
	Lyrae XS Fix Demo Set	Includes: Lyrae fixture, Mounting Sleeve, Trim, Set of Optical Foils (Not suitable for permanent instalations. IP2X.)	

**DIMENSIONS**

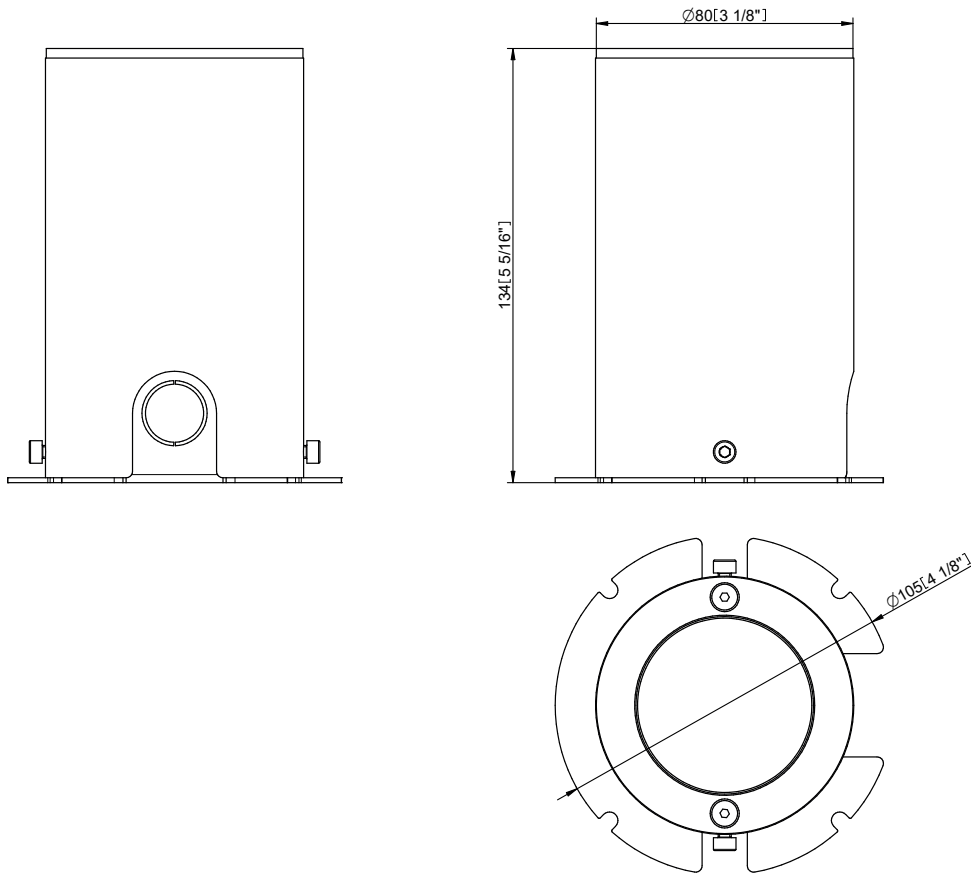
with Round beveled Trim



with Square beveled Trim



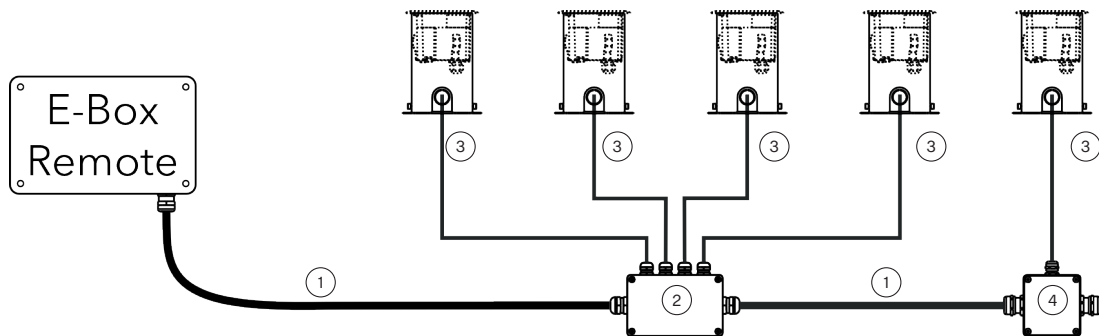
with Round flush Trim



## CONTROL AND CONNECTION OPTIONS

### via E-BOX REMOTE

- 1) SJTW 5x 14AWG (1305 3336), black
- 2) Junction Box Remote (4x Output) + Re-enterable Electrical Insulating Resin (P/N 10980658, sold separately)
- 3) UL 20969 5x 20AWG (13053481), black
- 4) Junction Box Remote (1x Output) + Re-enterable Electrical Insulating Resin (P/N 10980658, sold separately)



**Note: All Anolis cables must be in placed in protective conduit – not suitable for direct burial.**