

LYRAE™ S SC

Difficult inground installations are made easier with the Lyrae S SC. High light output comes from powerful LEDs and it can be used with a variety of optics, from narrow to wide, in addition to a bi-symmetrical option. The light source can be remotely tilted 25° from the horizontal position, always ensuring accurate illumination of the selected surface. Additionally, Lyrae S SC can be equipped with anti-skid glass featuring the highest standards of certification for anti-slip usage having no impact on the fixture's outstanding colour mixing.



KEY FEATURES

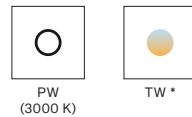
Lumen output & Light source

Providing perfectly mixed colour with luminous flux up to 1857 lm (TBC), the 27 W Lyrae S luminaire utilises LEDs with 10° optics. Its excellent lumen maintenance of 90,000 hrs (L90B10) provides a dependable and long-term lighting installation.

Physical

Protected underground by high-pressure, die-cast aluminum, the above-ground stainless steel and glass cover provides an elegant and durable lighting solution in all kind of weather. The glass cover can be clear or with anti-skid treatment for inground applications, and its durability is guaranteed by IP68 and IK10 certification.

COLOURS

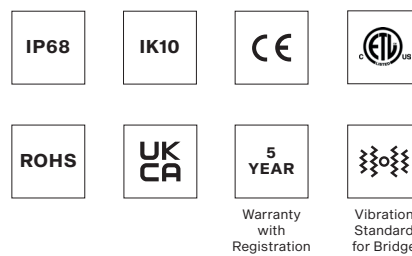


* UPON REQUEST

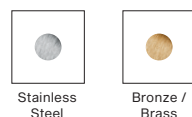
CONTROL & PROTOCOLS



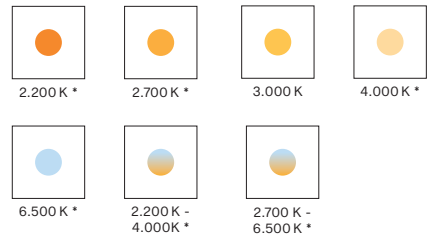
STANDARD & SPECIFICATION



TRIM FINISH OPTIONS



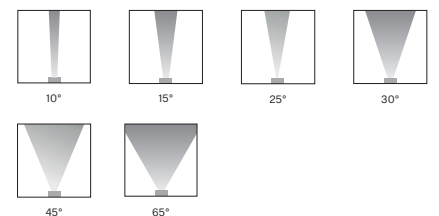
COLOUR TEMPERATURE



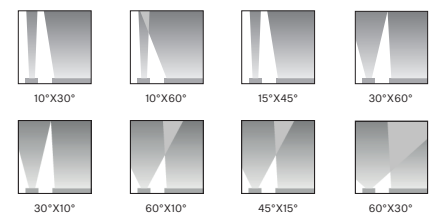
* UPON REQUEST

OPTIC OPTIONS

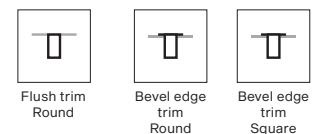
SYMMETRICAL



BI-SYMMETRICAL



TRIM OPTIONS

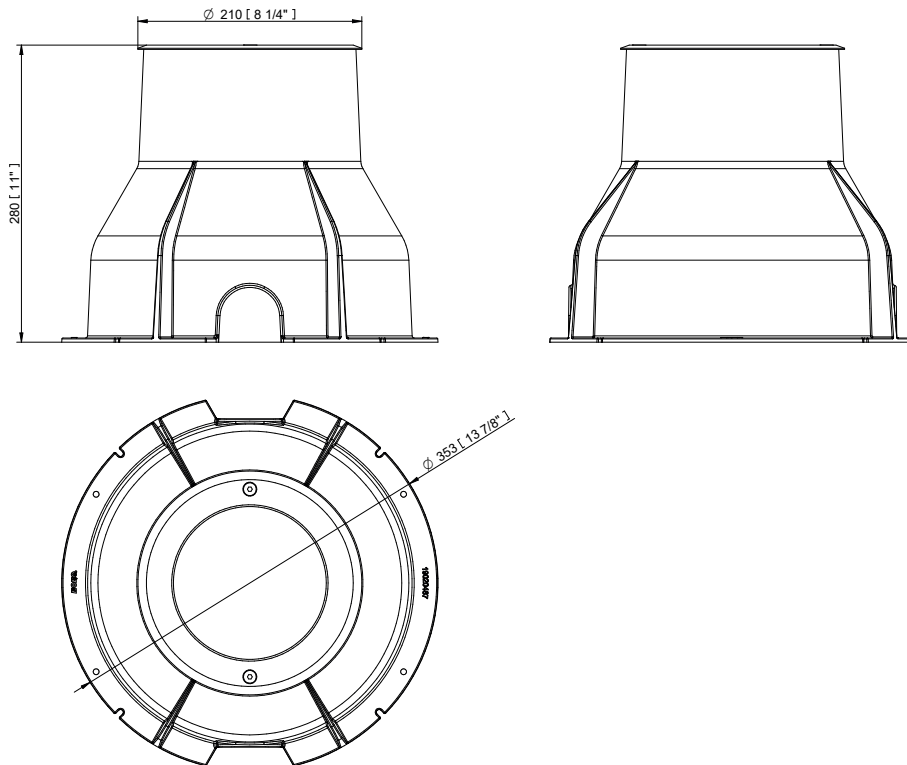


SPECIFICATION

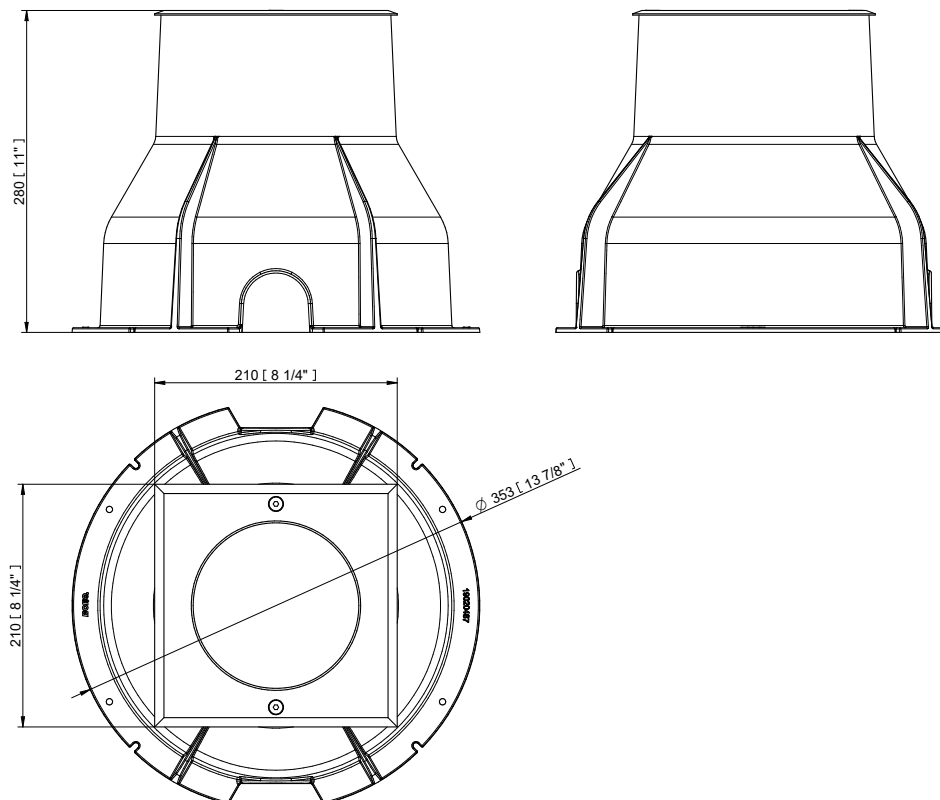
ELECTRICAL	Input Voltage	120 - 277 V AC 50/60 Hz	
	Typical Power Consumption	30 W +/-10 %	
OPTICAL	Light Source	High Power Single Chip LEDs	
	Colour Variants	PW (3000 K) Variants On Request (TW (2200 - 4000 K 2700 - 6500 K) 2200 K 2700 K 4000 K 6500 K)	
	Beam Angle	Clear Glass	Symmetrical: 10° 15° 25° 30° 45° 65° Bi-symmetrical: 10°x30° 30°x10° 10°x60° 60°x10° 15°x45° 45°x15° 30°x60° 60°x30°
		Anti-Skid Glass	Symmetrical: 18° 22° 35° 50° (preliminary) Bi-symmetrical: 20° x 35° 35° x 20° 20° x 65° 65° x 20° 20° x 50° 20° x 50° 35° x 65° 65° x 35° (preliminary)
	Lumen Output Delivered	1857 lm (@10° PW 3000 K) (preliminary)	
	Projected Lumen Maintenance	L90B10 >90.000 hrs, Ta = 25°C / 77°F	
CONTROL	Interface Protocol	DMX/RDM DTP DALI 2	
	Operating Modes	DMX, Stand-alone	
	Settings / Addressing	RDM	
	Power Supply	Integrated	
PHYSICAL	Flange Diameter x Diameter x Height	Bevel Edge Trim: ø 210 x ø 353 x 280 mm (ø 8.3 x ø 14 x 11.1 in.)	
	Weight	3.75 kg 8.16 lbs	
	Housing	High Pressure Die-Cast Aluminium Body Stainless Flange Tempered Glass (Clear or Anti-Skid)	
	Trim Options	Bevel Edge Trim Flush Trim	
	Trim Shape	Round Square	
	Trim Finish Options	Stainless steel Bronze / Brass	
	Cables / Connections	Integrated Junction Box	
	Mounting Method	External Mounting Sleeve	
	Adjustability	Motorised Tilt 0° - 25° (One Direction Tilt) - Setting-up via NFC (password protected), or DMX	
	Protection Factor	IP68 / Suitable For Wet Locations (8h @ 1m)	
	IK Rating	IK10	
	Static Load Resistance	35 kN (TBC)	
	Cooling System	Convection	
	Operating Ambient Temperature	-20 °C / +40 °C (-4 °F / +104 °F)	
	CERTIFICATION	Listings	ETL / cETL, CE, RoHS, UKCA
ACCESSORIES	Not Included Items		
		Lyrae S Mounting Sleeve	
		Junction Box	
		Trim for Lyrae S (Stainless Steel, Round, Bevel Edge)	
		Trim for Lyrae S (Stainless Steel, Round, Flush)	
		Trim for Lyrae S (Stainless Steel, Square, Bevel Edge)	
		Re-enterable Electrical Insulating Resin	
DEMO SET	Lyrae S Demo Set	Includes: Lyrae fixture, Mounting Sleeve, Trim, Set of Optical Foils (Not suitable for permanent instalations. IP2X.)	

DIMENSIONS

with Round beveled Trim

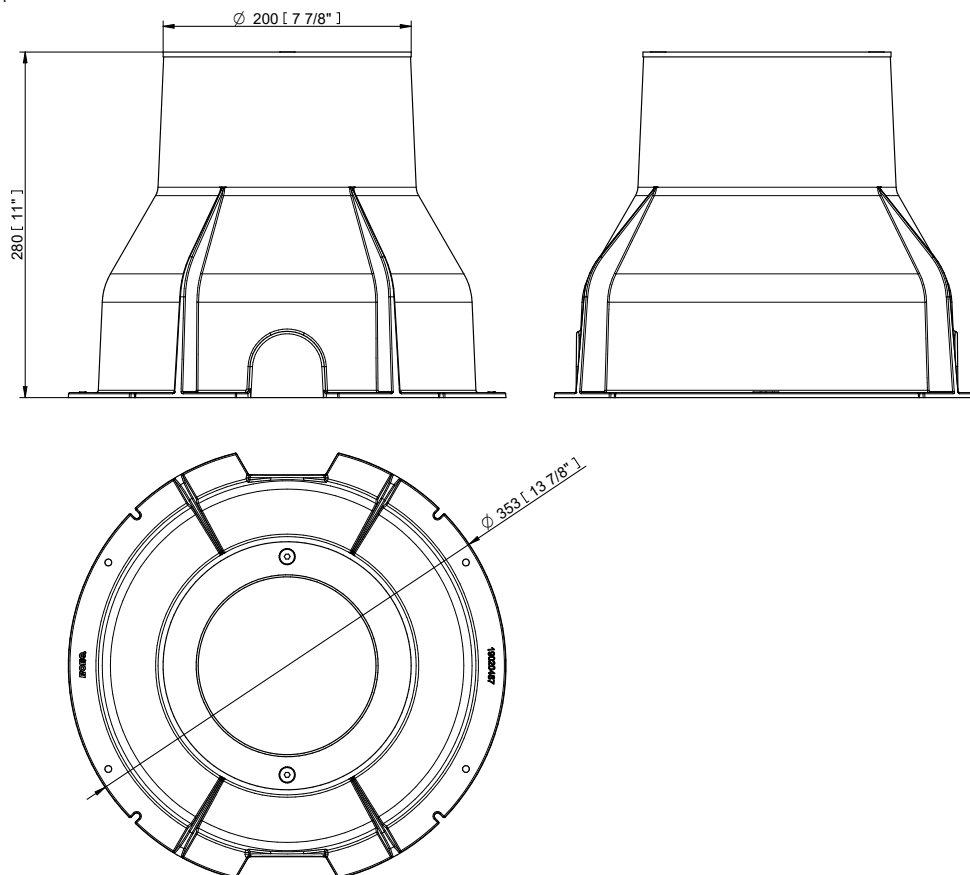


with Square beveled Trim



DIMENSIONS

with Round flush Trim

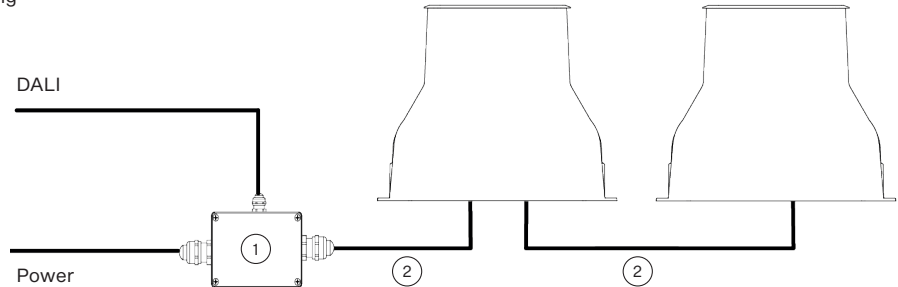


CONTROL AND CONNECTION OPTIONS - CE

DALI

- 1) Junction Box + Re-enterable Electrical Insulating Resin (P/N 10980658, sold separately)
- 2) Hybrid Cable (1305 3693)
or
Scope of Others

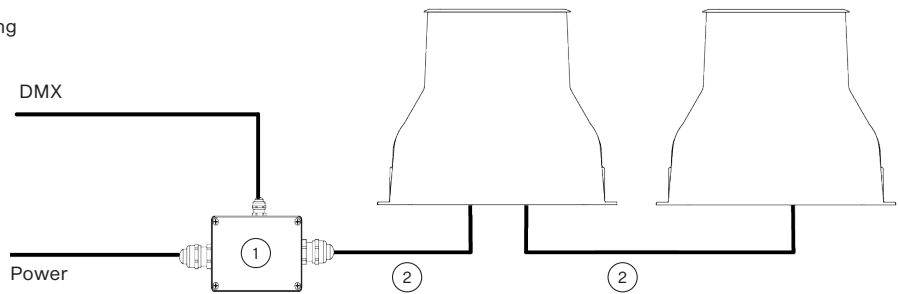
Note: All Anolis cables must be in placed in protective conduit – not suitable for direct burial.



DMX

- 1) Junction Box + Re-enterable Electrical Insulating Resin (P/N 10980658, sold separately)
- 2) Cable CE (1305 1508)

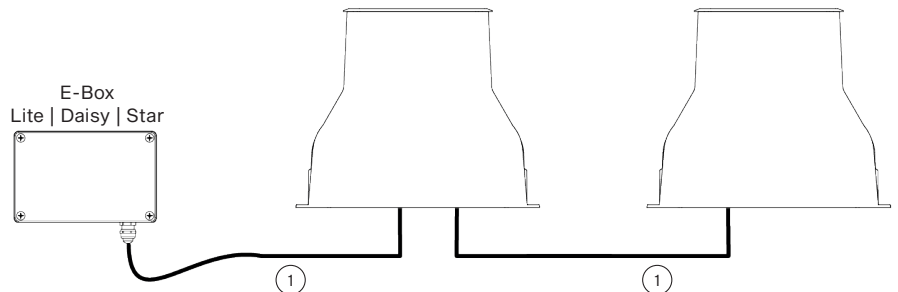
Note: All Anolis cables must be in placed in protective conduit – not suitable for direct burial.



DMX or ETHERNET via E-BOX

- 1) Cable CE (1305 1508)

Note: All Anolis cables must be in placed in protective conduit – not suitable for direct burial.

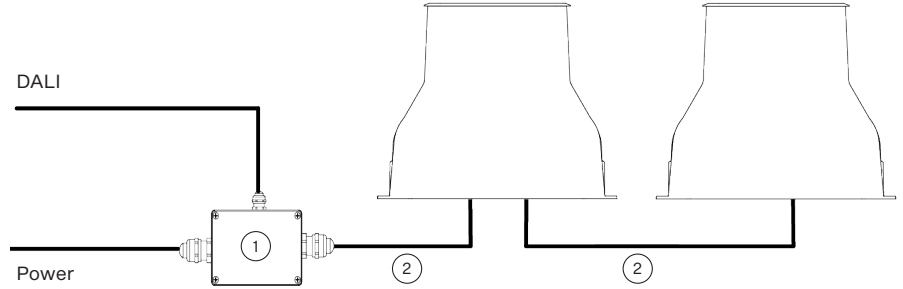


CONTROL AND CONNECTION OPTIONS - US

DALI

- 1) Junction Box + Re-enterable Electrical Insulating Resin (P/N 10980658, sold separately)
- 2) SJTW 5x 14AWG (1305 3336), black or Cable SJTW 5x 14AWG (1305 3697), white or Scope of Others

Note: All Anolis cables must be in placed in protective conduit – not suitable for direct burial.



DMX or ETHERNET via E-BOX

- 1) Cable US (1305 3139)

Note: All Anolis cables must be in placed in protective conduit – not suitable for direct burial.

