

E-BOX™ REMOTE

Specifically designed as an external low voltage power supply for the Eminere Remote series of LED Luminaires, use of the E-Box Remote results in a significantly more compact profile of the Eminere fixture, ideal for applications where high output is needed in a small form factor. A wide range of control protocols is supported including DMX/RDM, optional wireless DMX/RDM via Lumen Radio CRMX technology, Art-Net, sACN, MA-NET, MAnet2, and Kling-Net. The durable enclosure provides excellent environmental protection with IP65 and IK10 ratings, and a 5 year warranty.



KEY FEATURES

Output

The E-Box Remote with double output allows the connection of up to 20 Eminere Remote 1 luminaires per device.

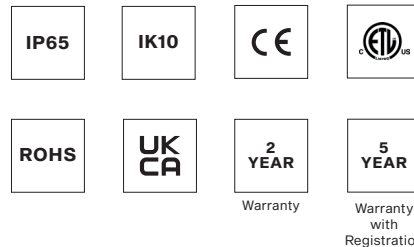
Control

E-Box Remote can be easily configured by its LCD display. Control is possible with DMX/RDM, Art-Net, MA-Net, MA-Net2, sACN, and Kling-Net protocols. Wireless DMX/RDM control is available with the Lumen Radio CRMX option.

Physical

E-Box Remote holds IP65 and IK10 certifications for robust reliability.

STANDARD & SPECIFICATION

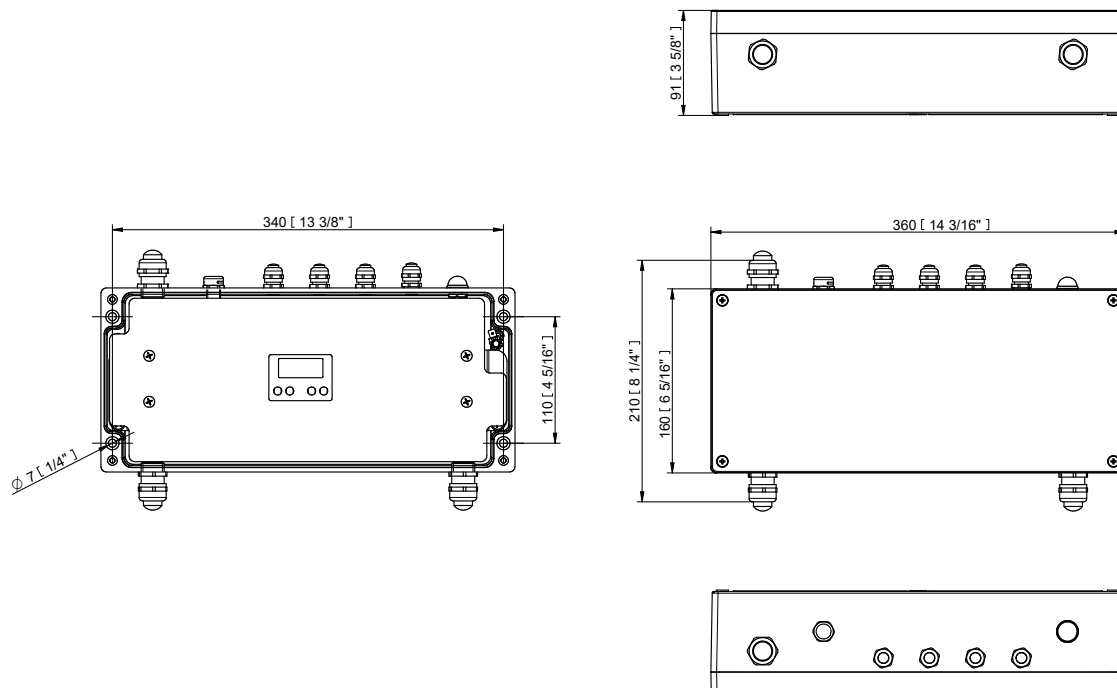


FINISH OPTIONS

* CLOSEST RAL TONE
* HE = Harsh Environment



DIMENSIONS



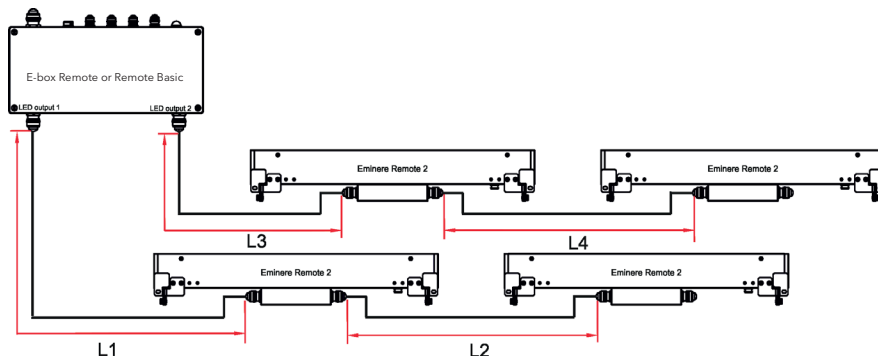
SPECIFICATION

ELECTRICAL	Input Voltage	120 - 277 V AC 50 / 60 Hz	
	Typical Power Consumption	520 W	
CONTROL	Wireless DMX (Option)	Lumen Radio CRMX Technology	
	Interface Protocol	USITT DMX512+RDM, ArtNet, MA Net, MA Net2, sACN, Kling-Net	
	Operating Modes	Fixture Mode, Pixel Mode, Output Mode	
	Display	Via Two Row LCD Display with Control Buttons or RDM communicator	
	Control System	E-box With Self Addressing Feature or Custom Setting Via LCD Display/RDM	
	Power Supply	Integrated in E-box Remote	
	Connectivity	16 pcs of Eminere Remote 1 (50m cable - total length) via 1 Output, 20 pcs in total for both Outputs (25m cable - total length)	
PHYSICAL	Width x Height x Depth	360 x 210 x 91 mm (14.17 x 8.27 x 3.58 in.)	
	Weight	5.5 kg / 12.13 lbs	
	Number of LED Output zones	2	
	Max. Load Per Output	16 pcs of Eminere Remote 1 (50m cable) via 1 Output	
	Cable Length per E-Box	Max. 25 m (@ 20 pcs) Max. 50 m (@ 16 pcs) Max. 75 m (@ 13 pcs) Max. 100 m (@ 10 pcs)	
	Housing	Die-Cast Aluminium Case	
	Finish Options	Standard Colour	Graphite Black RAL 9011 Grey Aluminium RAL 9007 Pure White RAL 9010 Sandstone RAL 1014
		Standard Colour Harsh Environment	Graphite Black RAL 9011 Grey Aluminium RAL 9007 Pure White RAL 9010 Sandstone RAL 1014
		Cost Option	Custom RAL
	Cables / Connections	Cable Grommet (stainless steel)	
	Mounting Method	Surface Mount, 4 Mounting Holes	
	Protection Factor	IP65 / Suitable For Wet Locations	
	IK Rating	IK10	
Cooling System	Convection		
Operating Ambient Temperature	-20 °C / +40 °C (-4 °F / +104 °F)		
CERTIFICATION	Listings	ETL / cETL, CE, RoHS, UKCA	

CONNECTION

The table states max. number of Eminere Remote (UV) modules connected to the E-box Remote.

Cable length (m)	Max. number of Emineres Remote connected to the E-Box Remote			
	EMINERE REMOTE 1	EMINERE REMOTE 2 (UV)	EMINERE REMOTE 3	EMINERE REMOTE 4 (UV)
25	20	10	6	5
50	16	8	5	4
75	13	6	4	3
100	10	5	3	2



* Cable length is a total cable length between E-box Remote (or Remote Basic) and last connected Eminere Remote. Example: Total cable length=L1+L2+L3+L4