

## E-BOX™ REMOTE BASIC

The most economical solution to control up to 20 Eminere Remote 1 luminaires per device, the E-Box Remote Basic features an auto-ranging power supply suitable for mains voltages between 120–277 V AC for optimal performance. The 48 V DC output voltage insures safe operation. With control via wired USITT DMX512, the E-Box Remote Basic is the ideal combination of technology standards and cost effectiveness in a durable housing with both IK10 and IP65 protection ratings and a 5 year warranty.



### KEY FEATURES

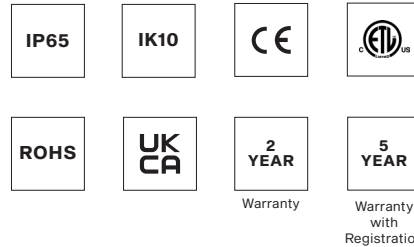
#### Output & Control

The E-Box Remote with double output allows the connection of up to 20 Eminere Remote 1 luminaires per device with a low 48 V output for safe operation.

#### Physical

E-Box Remote holds IP65 and IK10 certifications for robust reliability.

### STANDARD & SPECIFICATION

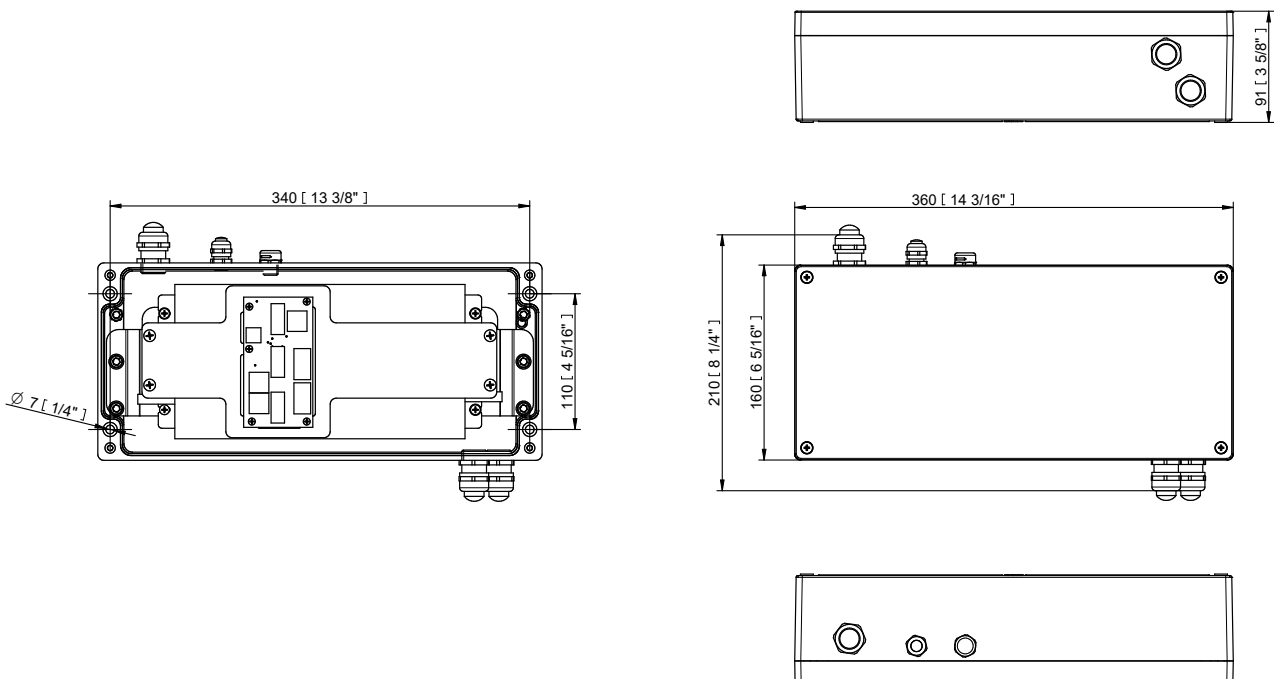


### FINISH OPTIONS

\* CLOSEST RAL TONE  
\* HE = Harsh Environment



### DIMENSIONS



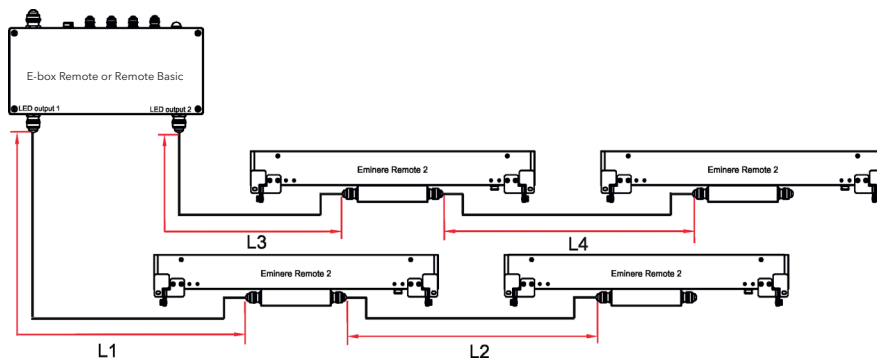
**E-BOX REMOTE BASIC SPECIFICATION**

<b>ELECTRICAL</b>	Input Voltage	120 - 277 V AC 50 / 60 Hz		
	Typical Power Consumption	520 W		
<b>CONTROL</b>	Power supply	Integrated		
	Connectivity	16 pcs of Eminere Remote 1 (50m cable - total length) via 1 Output, 20 pcs in total for both Outputs (25m cable - total length)		
	Width x Height x Depth	360 x 210 x 91 mm (14.17 x 8.27 x 3.58 in.)		
	Weight	5 kg / 11.02 lbs		
	Number of LED Output zones	2		
	Max. Load Per Output	16 pcs of Eminere Remote 1 (50m cable) via 1 Output		
	Cable Length per E-Box	Max. 25 m (@ 20 pcs)   Max. 50 m (@ 16 pcs)   Max. 75 m (@ 13 pcs)   Max. 100 m (@ 10 pcs)		
	Housing	Die-Cast Aluminium Case		
	<b>PHYSICAL</b>	Finish Options	Standard Colour	Graphite Black RAL 9011   Grey Aluminium RAL 9007 Pure White RAL 9010   Sandstone RAL 1014
			Standard Colour Harsh Environment	Graphite Black RAL 9011   Grey Aluminium RAL 9007 Pure White RAL 9010   Sandstone RAL 1014
Cost Option		Custom RAL		
Cables / Connections		Cable Grommet (stainless steel)		
Mounting Method		Surface Mount, 4 Mounting Holes		
Protection Factor		IP65/ Suitable For Wet Locations		
IK Rating	IK10			
Cooling System	Convection			
Operating Ambient Temperature	-20 °C / +40 °C (-4 °F / +104 °F)			
<b>CERTIFICATION</b>	Listings	ETL / cETL, CE, RoHS, UKCA		

**CONNECTION**

The table states max. number of Eminere Remote (UV) modules connected to the E-box Remote Basic.

Cable length (m)	Max. number of Emineres Remote connected to the E-Box Remote Basic			
	EMINERE REMOTE 1	EMINERE REMOTE 2 (UV)	EMINERE REMOTE 3	EMINERE REMOTE 4 (UV)
25	20	10	6	5
50	16	8	5	4
75	13	6	4	3
100	10	5	3	2



\* Cable length is a total cable length between E-box Remote (or Remote Basic) and last connected Eminere Remote. Example: Total cable length=L1+L2+L3+L4