

CALUMMA™ URBAN M

Introducing our new Calumma featuring an asymmetrical side and forward beam angle, the perfect addition to our existing series of lighting solutions providing efficient and targeted illumination without any light spill. The asymmetrical side and forward beam angle allows for precise control of the light distribution, ensuring the desired area is well-lit while minimizing glare and light pollution. This feature makes it an ideal choice for various outdoor applications, such as pathways, parks, architectural accents, and landscape lighting. Upgrade your outdoor lighting experience with our cutting-edge Calumma Urban, and enjoy the perfect balance of functionality, efficiency, and style.



KEY FEATURES

Lumen output & Light source

Luminaire with 32 high-power, singlechip LEDs provides 2957 lumen output (@ RGBW, W - 6500K, Asymmetrical Forward). Multiple LED colour variants. No light spills. Well homogenised light output.

Design & Durability

Compact, durable and stylish housing made of high-pressure die cast aluminium. IP67 and IK10 certification; suitable for marine applications (Harsh Environment Finish required) and traffic applications. Supported with a 5 year warranty.

Flexibility

Exceptional outdoor or indoor LED luminaire with a custom colour finishes and multiple light output variant.

Connectivity

Utilising the innovative E-Box series of power and data interfaces, Calumma Urban M can communicate via numerous control protocols.

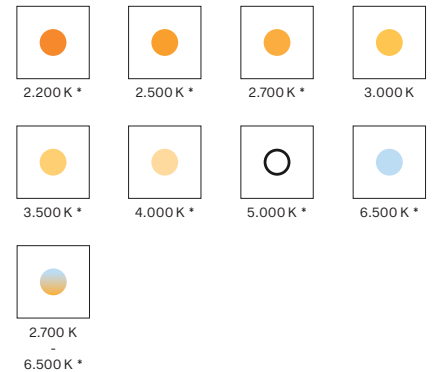
COLOURS

* UPON REQUEST



COLOUR TEMPERATURE

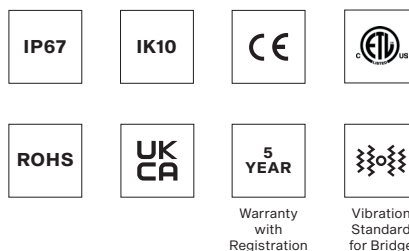
* UPON REQUEST



CONTROL & PROTOCOLS

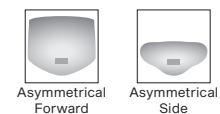


STANDARD & SPECIFICATION



OPTIC OPTIONS

ASYMMETRICAL



FINISH OPTIONS

* CLOSEST RAL TONE
 * HE = Harsh Environment



SPECIFICATION

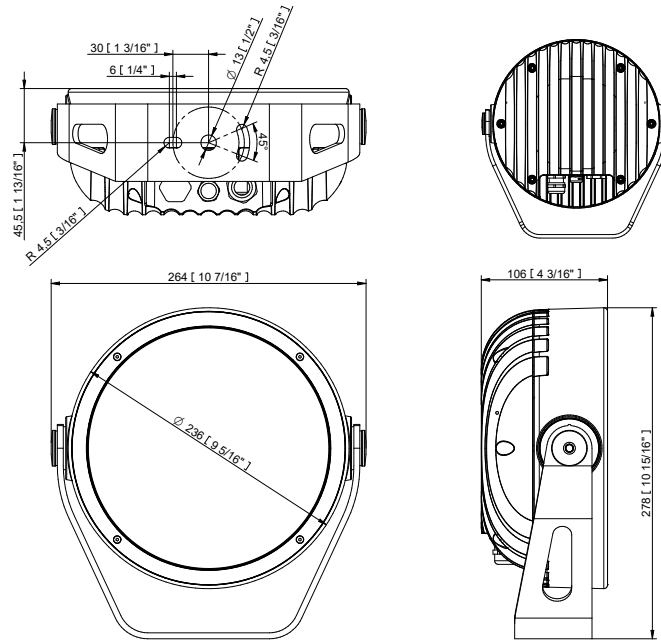
ELECTRICAL	Input Voltage	120 - 277 V AC 50/60 Hz (US)				
	Typical Power Consumption	60 W +/-10 %				
OPTICAL	Light Source	High Power Single Chip LEDs				
	Colour Variants	RGBW (W - 6500 K) RGBA PW (W - 3000 K) Other Variants On Request (TW (2700 - 6500 K), 2200 K, 2500 K, 2700 K, 3500 K, 4000 K, 5000 K, 6500 K)				
	Beam Angle	Asymmetrical Side Asymmetrical Forward				
	Lumen Output Delivered	2957 lm (@ RGBW, W - 6500K, Asymmetrical Forward)				
	Projected Lumen Maintenance	L90B10 >90.000 hrs, Ta = 25°C / 77°F				
CONTROL	Interface Protocol	Via E-box range, DMX/RDM, DALI 2 or ON/OFF (PW & single color only)				
	E-box control protocol	USITT DMX512+RDM, ArtNet, MA Net, MA Net2, sACN, Kling-Net				
	DALI 2 Device Type	DT 8				
	Control System	Third Party DMX Controllers or third party DALI 2 controllers, Ethernet				
	Operating Modes	DMX, Stand-alone				
	Settings / Addressing	E-Box, RDM communicator				
	Power Supply	Integrated				
PHYSICAL	Width x Height x Depth	264 x 278 x 106 mm (10.4 x 10.94 x 4.17 in.)				
	Weight	6.8 kg 15 lbs				
	Housing	High Pressure Die-Cast Aluminium Body				
		Tempered Glass				
	Finish Options	Standard Colour	Graphite Black RAL 9011 Grey Aluminium RAL 9007 Pure White RAL 9010 Sandstone RAL 1014			
		Standard Colour Harsh Environment	Graphite Black RAL 9011 Grey Aluminium RAL 9007 Pure White RAL 9010 Sandstone RAL 1014			
		Cost Option	Custom RAL			
	Cables / Connections	IN (for DMX, DALI): 1m cable, bare end (custom length on request) Junction Box (optional)				
	Mounting Method	Yoke or Yoke for Pole Adaptor				
	Adjustability	+180° / -180°				
Protection Factor	IP67 / Suitable For Wet Locations					
IK Rating	IK10					
Cooling System	Convection					
Operating Ambient Temperature	-20 °C / +50 °C (-4 °F / +122 °F)					
CERTIFICATION	Listings	ETL / cETL, CE, RoHS, UKCA				
ACCESSORIES	Not Included Items					
	Junction Box for Calumma					
	Tenon Adaptor for Calumma M					
	Floor Stand for Calumma S, M					
	Pole Adaptor (ø 102mm) (Yoke for Pole Adaptor Required)					

PROJECTED AREA

	Front (rear) - m²	Front (rear) ft²	Side - m²	Side - ft²	Top - m²	Top - ft²
Calumma M	0,047	0,500	0,026	0,280	0,024	0,258

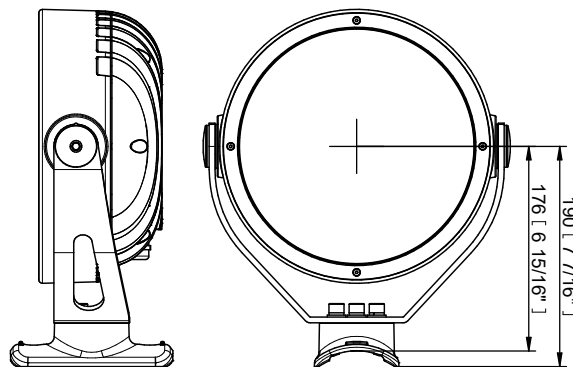
DIMENSIONS

Standard Yoke



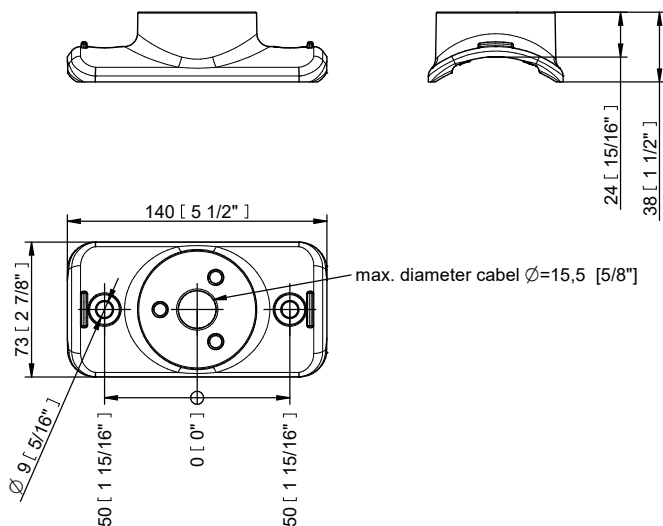
Yoke for Pole Adaptor (with Pole Adaptor / PA)

Example of ordering code: Calumma Urban M RGBCW Side PA

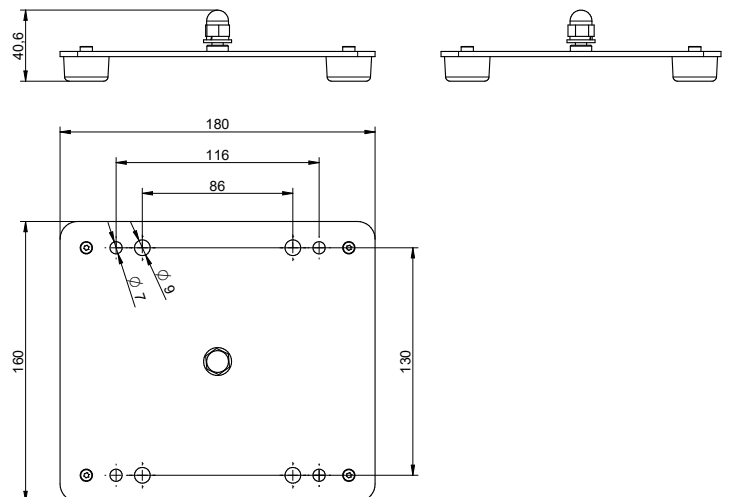


ACCESSORIES

Pole Adaptor ($\varnothing 102\text{mm}$; with Pole Adaptor / PA)



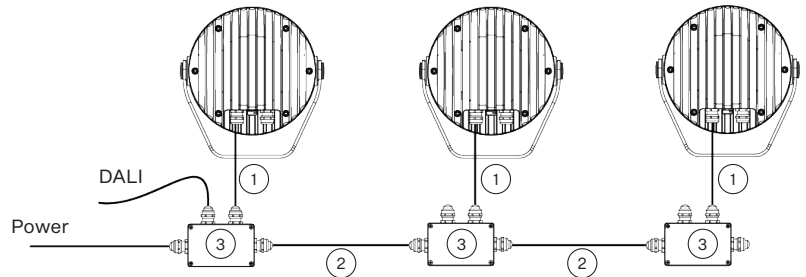
Floor Stand



CONTROL AND CONNECTION OPTIONS - CE

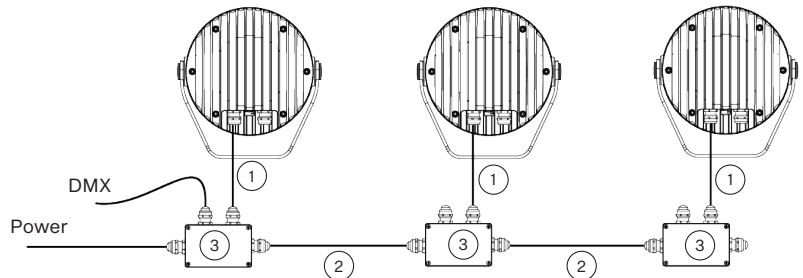
DALI

- 1) Hybrid Cable (1305 3693)
Standard 1 m with bare-end
- 2) Hybrid Cable (1305 3693)
or
Scope of Others
- 3) Junction Box for Calumma



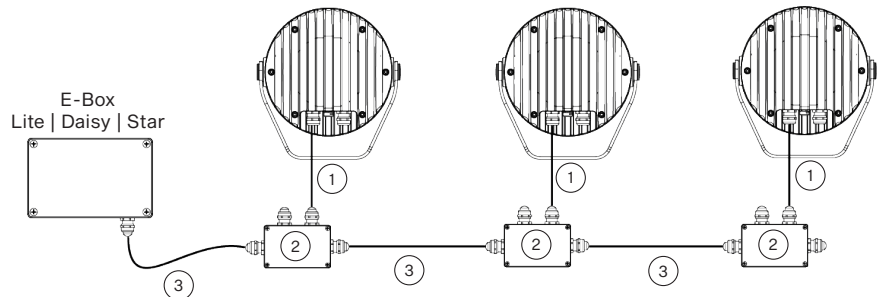
DMX

- 1) Flamar 3x AWG 16 + 1 x (2x AWG 24)
Standard 1 m with bare-end, (13051508), black
or
Hybrid Cable HYB-5731ZH LSZH (13053694), white
- 2) Flamar 3x AWG 16 + 1 x (2x AWG 24), (13051508), black
or
Hybrid Cable HYB-5731ZH LSZH (13053694) white
or
Scope of Others
- 3) Junction Box for Calumma



DMX or ETHERNET via E-BOX

- 1) Flamar 3x AWG 16 + 1 x (2x AWG 24)
(13051508), Standard 1 m with bare-end, black
or
Hybrid Cable HYB-5731ZH LSZH (13053694), white
- 2) Junction Box for Calumma
- 3) Flamar 3x AWG 16 + 1 x (2x AWG 24), (13051508), black
or
Hybrid Cable HYB-5731ZH LSZH (13053694) white
or
Scope of Others

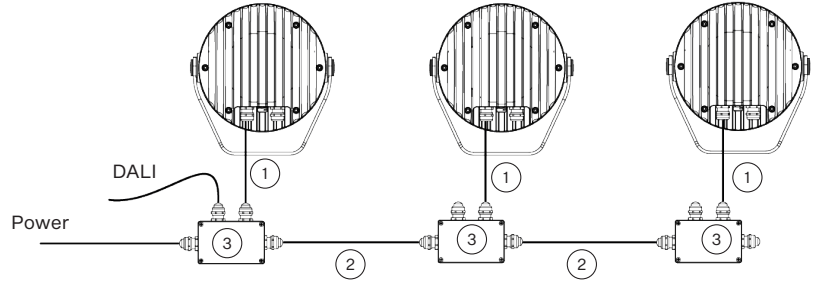


Note: This type of connection is available for S, M, L, and XL versions. E-Box has to be in Pass Through mode only.

CONTROL AND CONNECTION OPTIONS - US

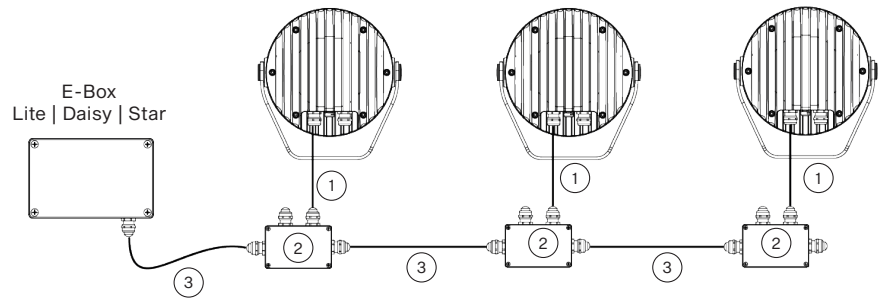
DALI

- 1) SJTW 5x 14AWG (13053336), Standard 1 m with bare-end, black
or
Cable SJTW 5x 14AWG (13053697), white
- 2) SJTW 5x 14AWG (13053336), black
or
Cable SJTW 5x 14AWG (13053697), white
or
Scope of Others
- 3) Junction Box for Calumma



DMX or ETHERNET via E-BOX

- 1) SJTW 6x 14AWG (13053480)
Standard 1 m with bare-end, black
or
Cable SJTW 6x 14AWG (13053695), white
- 2) Junction Box for Calumma
- 3) SJTW 6x 14AWG (13053480), black
or
Cable SJTW 6x 14AWG (13053695), white
or
Scope of Others



Note: This type of connection is available for S, M, L, and XL versions. E-Box has to be in Pass Through mode only.

CONNECTIVITY

Following table shows maximum connected Calummas Urban M in a row with respect of cable length.

STANDARD MODE	Cable length (m)	Voltage (V)			
		120	190	230	277
CALUMMA URBAN M	10	30	48	58	70
	20	30	48	58	70
	30	21	48	58	70
	50	13	32	47	68
	70	9	23	34	49
	100	6	16	24	34
	200	3	8	12	17
	500	1	3	5	7

PASS-THROUGH MODE	Cable length (m)	Voltage (V)			
		120	190	230	277
CALUMMA URBAN M	10	30	32	32	32
	20	30	32	32	32
	30	21	32	32	32
	50	13	32	32	32
	70	9	23	32	32
	100	6	16	24	32