

AMBIANE® HP111 RECESSED

As the mid-size luminaire in the Ambiane series, the new Ambiane HP111 Recessed is designed for lower ceiling installations or to cover areas where the power of the Ambiane XP56 is not necessary. Using the same light source specification as all other Ambiane series members, the fixture is an ideal add-on to lighting designs using a host of Ambiane luminaires. Giving designers and installers a choice of 20°, 40°, 60° or 80-degree optical beam spreads, the Ambiane HP111 provides an endless array of positioning options across an entire installation. The incorporation of our L3 (Low Light Linearity) dimming system allows seamless fades to black even when mixed with traditional sources. With no UV or IR emissions which make it ideal for museums as well, the fixture is easily controlled via DMX or DALI and is RDM compatible.



KEY FEATURES

LED Output

Available in wide range of colour configurations (RGBW, PW, TW, TD), the Ambiane HP111 Recessed utilises highly efficient LED modules with CRI 90+ ensuring you can always see every colour without colouring distortion. Equally homogenised light output is secured by precisely designed output optics with the highest possible luminous flux 3239 lm and a 90,000 LED lifetime which guarantees low maintenance cost and long-lasting light output. The fixture offers four different beam spreads (20°, 40°, 60° and 80°) for precisely defined light output, required in a lighting installation.

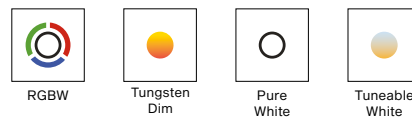
Control

Thanks to our unique L3 (low light linearity) 18-bit dimming system, exceptionally smooth fade to black and colour mixing are now possible. The fixture's remote setting and device management is realised through DALI and DMX512 control protocols with RDM support and intelligent power balancing (always 75 W output in any mixed colour).

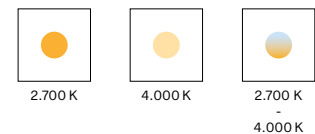
Installation

Mounting via holders into false ceiling as an ideal replacement for an outdated AR111 fixture, the Ambiane HP111 offers the possibility of a backup power connection to protect against any unexpected blackout and operate as emergency lighting.

COLOURS



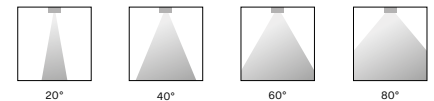
COLOUR TEMPERATURE



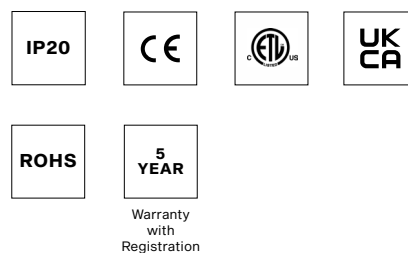
CONTROL & PROTOCOLS



OPTIC OPTIONS

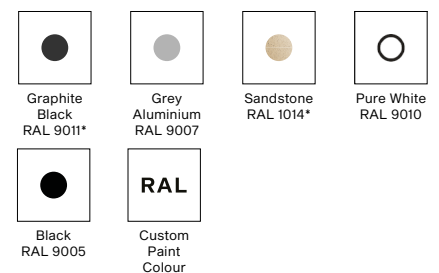


STANDARD & SPECIFICATION



TRIM FINISH OPTIONS

* CLOSEST RAL TONE



SPECIFICATION

ELECTRICAL	Input Voltage	48 V DC			
	Input Voltage range	44-50 V DC			
	Max. Power Consumption (Primary power Secondary power)	75 W 20 W			
	Max. Operating time for Sec. power	3 hours			
OPTICAL	Light Source	High Power LED module			
	Colour Variants	RGBW (W 2700 K or 4000 K)	Pure White	Tunable White	Tungsten Dim
	Colour Temperature of White	PW 2700 K or 4000 K TW 2700-4000 K TD 3200 K			
	CRI	90+			
	Beam Angle	20° 40° 60° 80°	20° with Ring Louver for Ambiane HP111		
	Lumen Output Delivered	2.289 lm (RGBNW at 20° 4000 K)		3.239 lm (RGBNW at 60° 4000 K)	
		3.024 lm (RGBNW at 40° 4000 K)		3.145 lm (RGBNW at 80° 4000 K)	
Projected Lumen Maintenance	L90B10 >90.000 hrs, Ta = 25°C / 77°F				
CONTROL	Interface Protocol	USITT DMX512, RDM, DALI 2, 0-10 V			
	DALI 2 Device Type	DT 8			
	Control System	ArcControl Range or any Third Party Controller			
	DMX Modes DMX Channels	5 (for RGBW version) 4, 3, 12, 3, 6			
	Settings / Addressing	DIP Switch			
	Power Supply	Ambiane Power HP (48 V / 100 W)		Ambiane Power Rack (CE/US)	
PHYSICAL	Width x Height x Depth Weight	Ambiane HP111 Recessed 20° - ø160 x 224 mm (ø6.2 x 8.7 in.)		2.1 kg 4.6 lbs @ 20°	
		Ambiane HP111 Recessed 40° - ø160 x 227 mm (ø6.2 x 8.9 in.)		2.1 kg 4.6 lbs @ 40°	
		Ambiane HP111 Recessed 60° - ø160 x 210 mm (ø6.2 x 8.2 in.)		2.0 kg 4.4 lbs @ 60°	
		Ambiane HP111 Recessed 80° - ø160 x 194 mm (ø6.2 x 7.6 in.)		2.0 kg 4.4 lbs @ 80°	
	Housing	High Pressure Extruded Aluminium Body			
	Trim Finish Options	Standard Color	Graphite Black RAL 9011 Grey Aluminium RAL 9007 Pure White RAL 9010 Sandstone RAL 1014 Black RAL 9005		
		Cost Option	Custom RAL		
	Cables / Connections	Terminal block (Power In, DMX In/Out, DALI In/Out, Secondary Power Input)			
	Mounting Method	Recessed, Via mounted bracket. Cut-Out Diameter: 133 mm / 5.24 in			
		Recessed, Via Yoke			
Protection Factor	IP20 / Dry location only				
Cooling System	Convection				
Operating Ambient Temperature (Primary power / Secondary power)	-20 °C / +40 °C (-4 °F / +104 °F) -20 °C / +70 °C (-4 °F / +158 °F)				
Max. Operating Temperature	+75°C (167°F)				
CERTIFICATION	Listings	ETL / cETL, RoHS, CE (including ČSN EN 60598-2-22 / Emergency lighting, ISO17067), UKCA			
ACCESSORIES	Included Items				
	Control Unit				
	Not Included Items				
	Ring Louver 20° (Factory Fitted) Ambiane Power Rack (CE/US) Ambiane Power HP (MeanWell ELG-100-48-3Y)				

DIAMETER OF CONDUCTORS

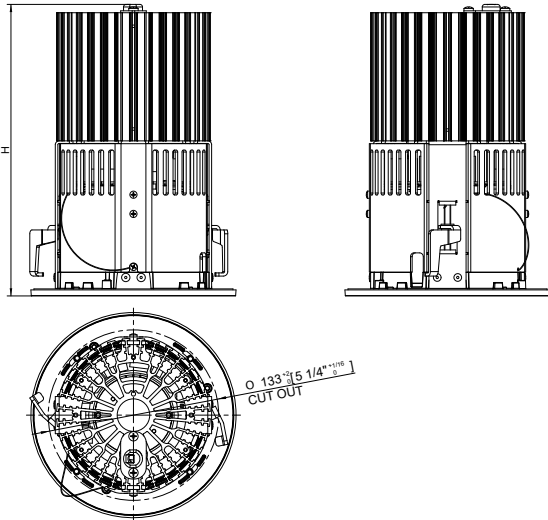
Recommended diameters of conductors with respect to distance between Fixture and Power supply.

Distance / Cable length	25 m	50 m	75 m	100 m
Diameters of conductors	0.5 mm ²	1 mm ²	1.5 mm ²	2 mm ²

DIMENSIONS

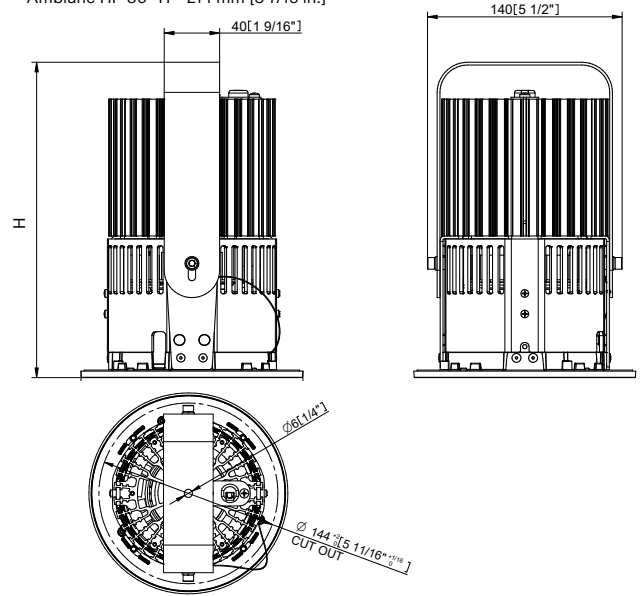
Ambiane HP111 Recessed - standard

Ambiane HP 20° H = 224 mm [8 13/16 in.]
 Ambiane HP 40° H = 227 mm [8 15/16 in.]
 Ambiane HP 60° H = 210 mm [8 1/4 in.]
 Ambiane HP 80° H = 194 mm [7 5/8 in.]



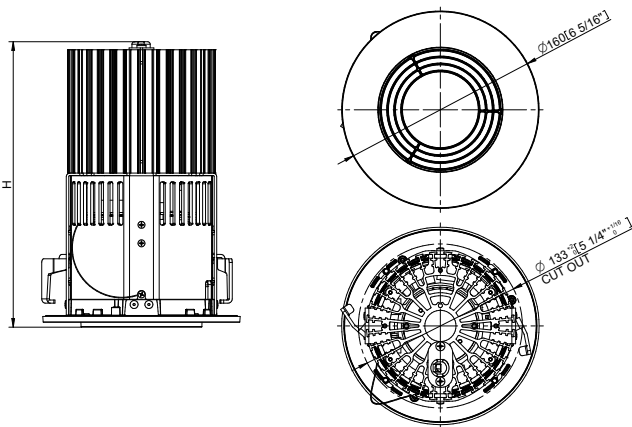
Ambiane HP111 Recessed - version with Yoke

Ambiane HP 20° H = 244 mm [9 5/8 in.]
 Ambiane HP 40° H = 247 mm [9 3/4 in.]
 Ambiane HP 60° H = 230 mm [9 1/16 in.]
 Ambiane HP 80° H = 214 mm [8 7/16 in.]



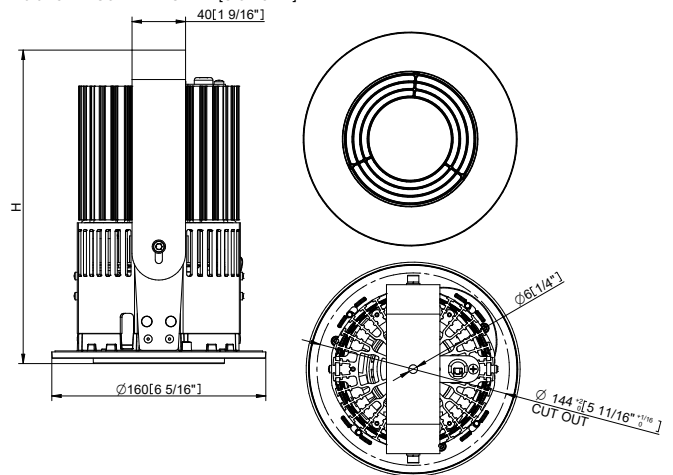
Ambiane HP111 Recessed - standard with Louver

Ambiane HP 20° H = 228 mm [9 in.]
 Ambiane HP 40° H = 231 mm [9 1/8 in.]
 Ambiane HP 60° H = 214 mm [8 7/16 in.]
 Ambiane HP 80° H = 198 mm [7 13/15 in.]

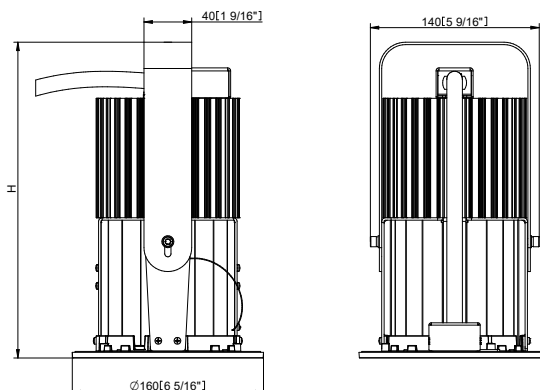


Ambiane HP111 Recessed - version with Yoke and Louver

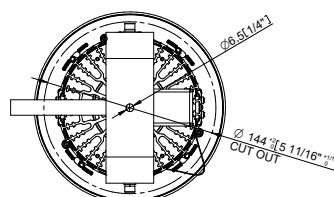
Ambiane HP 20° H = 248 mm [9 3/4 in.]
 Ambiane HP 40° H = 251 mm [9 7/8 in.]
 Ambiane HP 60° H = 234 mm [9 1/16 in.]
 Ambiane HP 80° H = 218 mm [8 9/16 in.]



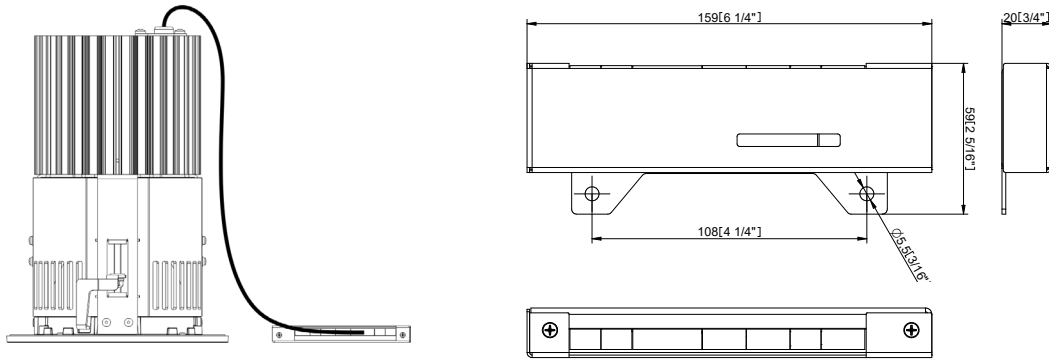
Ambiane HP111 Recessed US - standard with Louver



Ambiane HP 20° H = 264 mm [10 3/8 in.]
 Ambiane HP 40° H = 267 mm [10 1/2 in.]
 Ambiane HP 60° H = 250 mm [9 13/16 in.]
 Ambiane HP 80° H = 234 mm [9 3/16 in.]

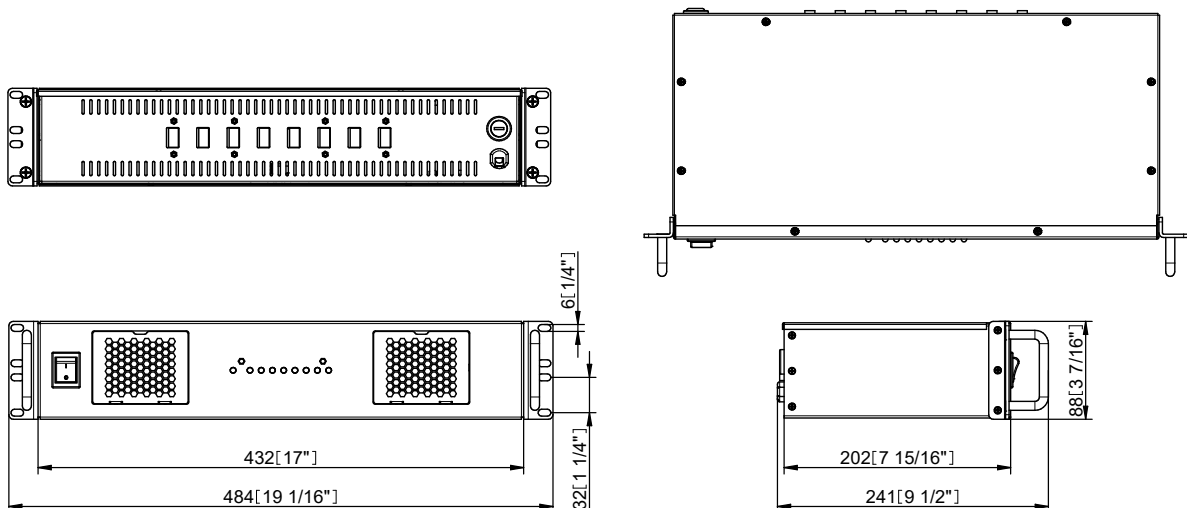


Ambiane HP111 w/Connection Unit



AMBIANE POWER RACK (CE / US) SPECIFICATION

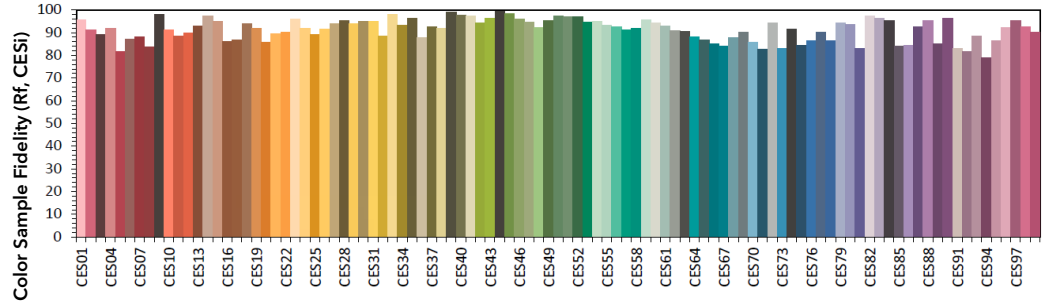
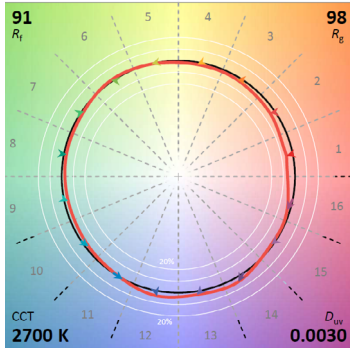
ELECTRICAL	Input Voltage	100 – 240 V AC 50/60 Hz (Ambiane Power Rack) 100 – 277 V AC 50/60 Hz (Ambiane Power Rack US)
	Maximal Power Consumption	1350 W
	Output Voltage	48 V DC
	Outputs	8
	Max. Load per output	200 W
	Max. Total Load	1200 W
PHYSICAL	Length x Height x Depth	484 / 432 x 88 x 241 / 202 mm (19.05 / 17 x 3.46 x 9.48 / 7.95 in.)
	Weight	5.4 kg 11.9lbs
	Housing	Rack Standard - 2U or Wall Mounted Brackets
	Finish Options	Standard Colour - Graphite Black (RAL 9011) Silver (RAL9006) Cost Option - Custom RAL
	Cables / Connections	8 x Terminal Block (DC power Out) 1x Main Power Cord (w/plug; CE/US)
	Mounting Method	Designed to Rack Box Installation
	Protection Factor	IP20 / Dry locations only
	Cooling System	Fan Cooled
CERTIFICATION	Operating Ambient Temperature	-20 °C / +40 °C (-4 °F / +104 °F)
	Listings	ETL / cETL, CE, RoHS , UKCA



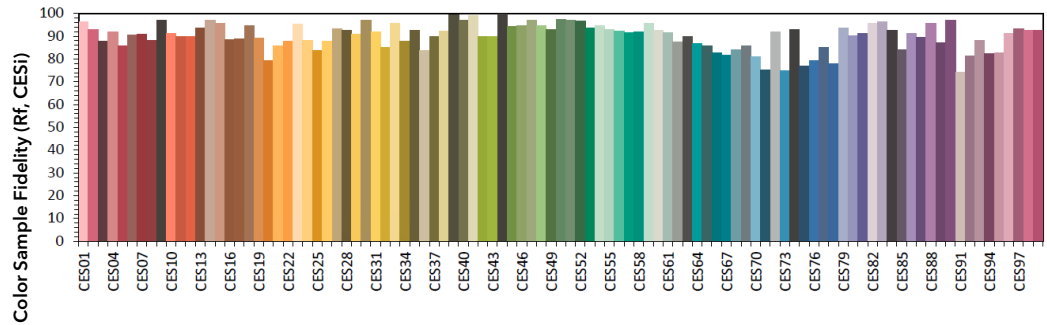
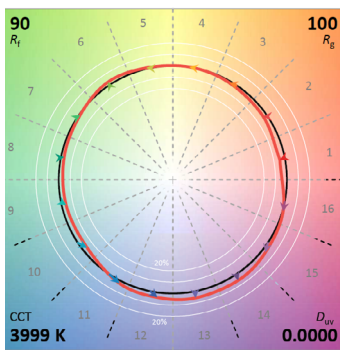
TM30 FOR AMBIANE HP111

NOTE: This is a recommended method for displaying ANSI/IES TM-30-18 information.

RGBWW VERSION



RGBNW VERSION



PHOTOMETRIC OVERVIEW

Lumen Output (lm)

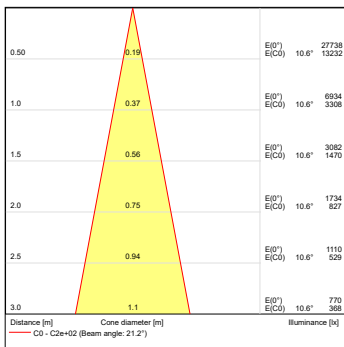
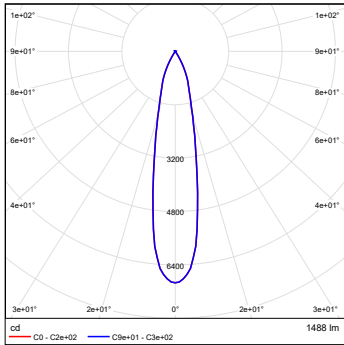
	RGBWW (2700 K)	RGBNW (4000 K)	PW (2700 K)	PW (4000 K)	TW (2700 - 4000 K)	TD (3200 K)
20° with Louver	1 109	1 488	1 526	1 911	1 109 - 1 488	1 500
20° without Louver	1 705	2 289	2 347	2 940	1 705 - 2 289	2 307
40°	2 253	3 024	3 101	3 884	2 253 - 3 024	3 048
60°	2 413	3 239	3 321	4 160	2 413 - 3 239	3 265
80°	2 343	3 145	3 225	4 039	2 343 - 3 145	3 170

UNIFIED GLARE RATING (UGR)

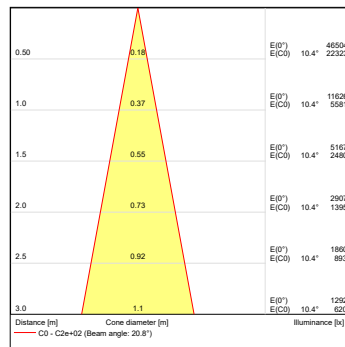
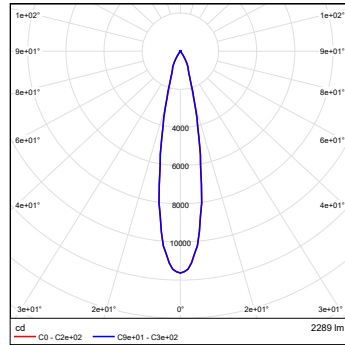
UGR	
20° (with Louver / without Louver)	<7 UGR / <17 UGR
40°	< 21 UGR
60°	< 22 UGR
80°	< 25 UGR

PHOTOMETRIC DATA

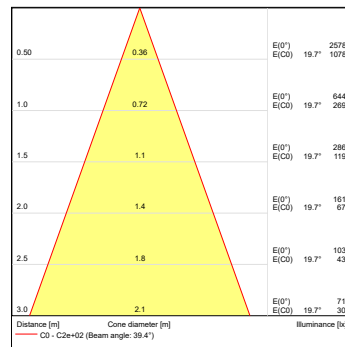
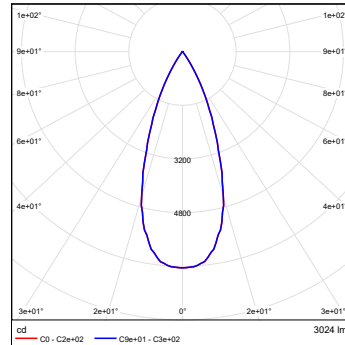
Ambiane HP111 RGBNW 20dg with Ring Louver



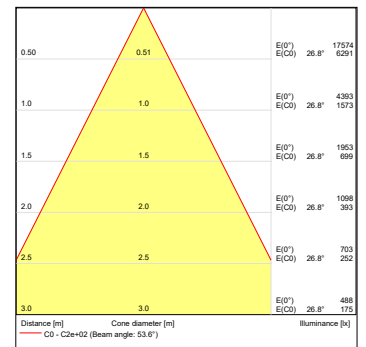
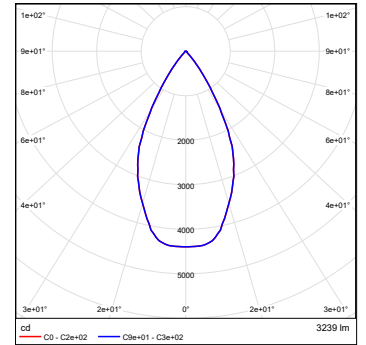
Ambiane HP111 RGBNW 20dg without Ring Louver



Ambiane HP111 RGBNW 40dg



Ambiane HP111 RGBNW 60dg



Ambiane HP111 RGBNW 80dg

