

AGAME™

The Agame luminaire is a multifunctional lighting solution with an IP67 rating, specifically crafted to accentuate the perimeters of windows and arches. This fixture, available in 8 W, produces a strikingly uniform monochromatic or RGBW / RGBA line of light, enhancing the aesthetic appeal of architectural facades. Additionally, the Agame luminaire has a 180° beam angle, ensuring wide and even light distribution across the intended area.



KEY FEATURES

LED Output

Available in wide range of colour configurations (RGBW, RGBA), the high-efficiency LED modules of the Agame provides the highest possible luminous flux 117 lm.

With the equally homogenised light output is secured by precisely designed output optics, and the fixture provides a 90,000 hour LED lifetime guaranteeing a dependable performance.

Control

Thanks to our unique L3 (low light linearity) 18-bit dimming system, exceptionally smooth fade to black and colour mixing are now possible. The fixture's remote setting and device management is realised through E-Box Remote.

Installation

The durable cast aluminum body provides a compact, stylish and easy-to-mount solution. The fixtures physical dimensions are ø 107 x 58mm (ø 4.25 x 2.3 in.) and it weighs 0.45 kg (0.99 lbs).

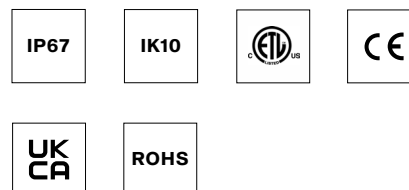
COLOURS



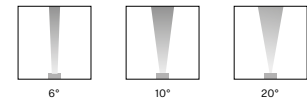
CONTROL & PROTOCOLS



STANDARD & SPECIFICATION



OPTIC OPTIONS - BEAM WIDTH



FINISH OPTIONS

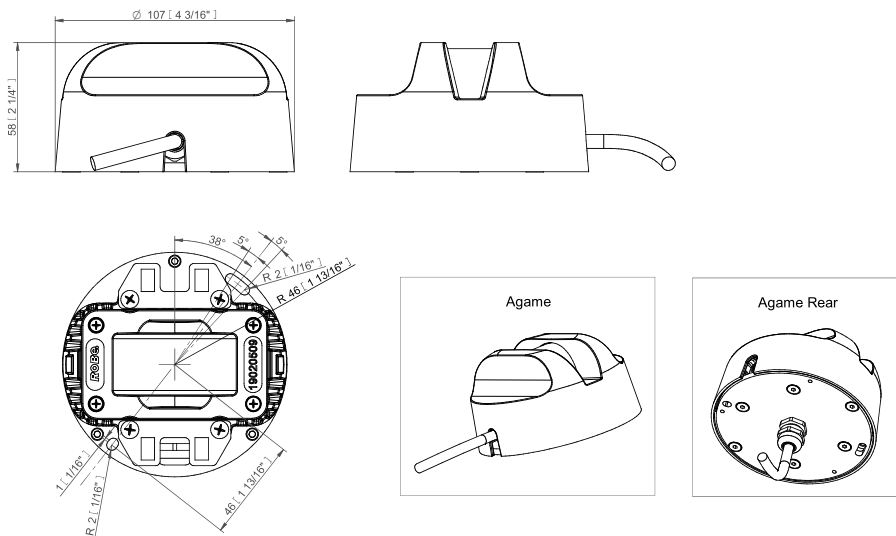
* CLOSEST RAL TONE
* HE = Harsh Environment



SPECIFICATION

ELECTRICAL	Input Voltage	48 V DC		
	Typical Power Consumption	8 W		
OPTICAL	Light Source	High Power Single Chip LEDs		
	Colour Variants	RGBW (W 6500 K)	RGBA	
	Beam Width	6° 10° 20°		
	Lumen Output Delivered	117 lm (@ RGBW, 6°)		
	Projected Lumen Maintenance	L90B10 >90.000 hrs, Ta = 25°C / 77°F		
CONTROL	Interface protocol	E-box Remote Range		
	E-Box Remote control protocol	USITT DMX512/RDM, ArtNet, MA Net, MA Net2, sACN, Kling-Net		
	Setting / addressing	E-Box Remote range		
	Connectivity & Power Supply	E-Box Remote range		
PHYSICAL	Diameter x Heigh	ø 107 x 58 mm (ø 4.2 x 2.3 in.)		
	Weight	0.45 kg 0.99 lbs		
	Housing	High Pressure Die-Cast Aluminium Body		
	Finish Options	Standard Colour	Graphite Black RAL 9011 Grey Aluminium RAL 9007 Pure White RAL 9010 Sandstone RAL 1014	
		Standard Colour Harsh Environment	Graphite Black RAL 9011 Grey Aluminium RAL 9007 Pure White RAL 9010 Sandstone RAL 1014	
		Cost Option	Custom RAL	
	Cables / Connections	IN (standard, rear) 1m cable, bare end (custom length on request)		
	Mounting Method	Surface or Ceiling Mount		
	Protection Factor	IP67 (IP66 Junction Box) / Suitable For Wet Locations		
	IK Rating	IK10		
Cooling System	Convection			
Operating Ambient Temperature	- 20 °C / +50 °C (-4 °F / +122 °F)			
Operating Temperature	+75 °C @ Ambient +35 °C (167 °F @ Ambient 95 °F) TBC			
CERTIFICATION	Listings	ETL / cETL, CE, RoHS, UKCA		
ACCESSORIES	Not Included items			
		Junction Box Remote (1x Output) Junction Box Remote (4x Output)		

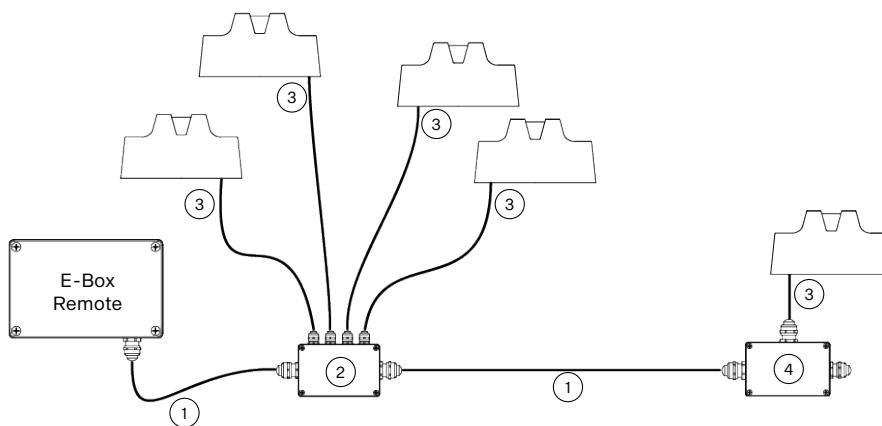
DIMENSION



POSSIBLE CONNECTION SCHEME

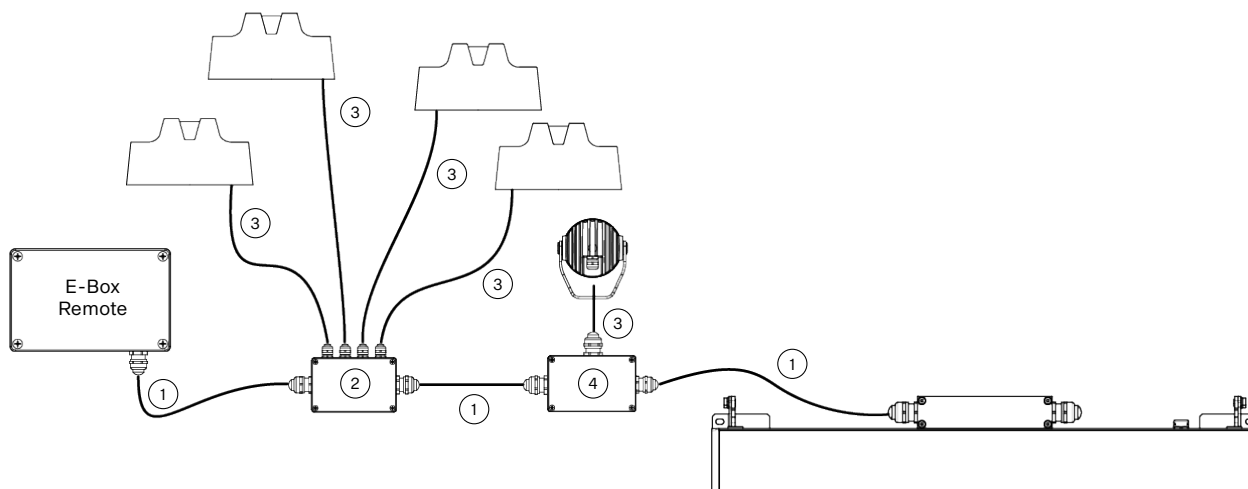
Via E-Box REMOTE

- 1) SJTW 5x 14AWG (1305 3336)
- 2) Junction Box Remote (4x Output)
- 3) UL 20969 5x 20AWG (13053481), black or On request Cable SJTW 5x 20AWG (13053696), white
- 4) Junction Box Remote (1x Output)



Via E-Box REMOTE (in combination with compatible luminaires)

- 1) SJTW 5x 14AWG (1305 3336)
- 2) Junction Box Remote (4x Output)
- 3) UL 20969 5x 20AWG (13053481), black or On request Cable SJTW 5x 20AWG (13053696), white
- 4) Junction Box Remote (1x Output)



E-BOX REMOTE SPECIFICATION

ELECTRICAL	Input Voltage	120 – 277 V AC 50/60 Hz
	Typical Power Consumption	480 W
CONTROL	Wireless DMX (Option)	Lumen Radio CRMX Technology
	Interface Protocol	USITT DMX512+RDM, ArtNet, MA Net, MA Net2, sACN, Kling-Net
	Operating Modes	Pixel (12 LEDs) or Fixture mode
	Display	Via Two Row LCD Display with Control Buttons or RDM communicator
	Control System	E-box With Self Addressing Feature or Custom Setting Via LCD Display/RDM
	Power Supply	Integrated in E-box Remote
	Connectivity	TBC
PHYSICAL	Length x Width x Height Weight	360 x 210 x 91 mm (14.17 x 8.27 x 3.58 in.) 5.5 kg / 12.13 lbs
	Number of LED Output zones	2
	Max. Load Per Output	16 pcs of Eminere Remote 1 (50m cable) via 1 Output
	Cable Length per E-Box	Max. 25 m (@ 20 pcs) Max. 50 m (@ 16 pcs) Max. 75 m (@ 13 pcs) Max. 100 m (@ 10 pcs)
	Housing	Die-Cast Aluminium Case
	Finish Options	Standard Colour - Graphite Black (RAL 9011) Silver (RAL 9006) Cost Option - Custom RAL Harsh Environment (RAL 9016, RAL 9011)
	Cables / Connections	Cable Grommet (stainless steel)
	Mounting Method	Surface Mount, 4 Mounting Holes
	Protection Factor	IP65 / Suitable For Wet Locations
	IK Rating	IK10
	Cooling System	Convection
Operating Ambient Temperature	-20 °C / +40 °C (-4 °F / +104 °F)	
CERTIFICATION	Listings	ETL / cETL, CE, RoHS, UKCA

E-BOX REMOTE BASIC SPECIFICATION

ELECTRICAL	Input Voltage	120 - 277 V AC 50/60 Hz
	Typical Power Consumption	480 W
CONTROL	Power supply	Integrated
	Connectivity	TBC
PHYSICAL	Length x Width x Height Weight	360 x 210 x 91 mm (14.17 x 8.27 x 3.58 in.) 5 kg / 11.02 lbs
	Number of LED Output zones	2
	Max. Load Per Output	16 pcs of Eminere Remote 1 (50 m cable) via 1 Output
	Cable Length per E-Box	Max. 25 m (@ 20 pcs) Max. 50 m (@ 16 pcs) Max. 75 m (@ 13 pcs) Max. 100 m (@ 10 pcs)
	Housing	Die-Cast Aluminium Case
	Finish Options	Standard Colour - Graphite Black (RAL 9011) Silver (RAL 9006) Cost Option - Custom RAL, Harsh Environment (RAL 9016, RAL 9011)
	Cables / Connections	Cable Grommet (stainless steel)
	Mounting Method	Surface Mount, 4 Mounting Holes
	Protection Factor	IP65 / Suitable For Wet Locations
	IK Rating	IK10
	Cooling System	Convection
Operating Ambient Temperature	-20 °C / +40 °C (-4 °F / +104 °F)	
CERTIFICATION	Listings	ETL / cETL (pending), CE, RoHS