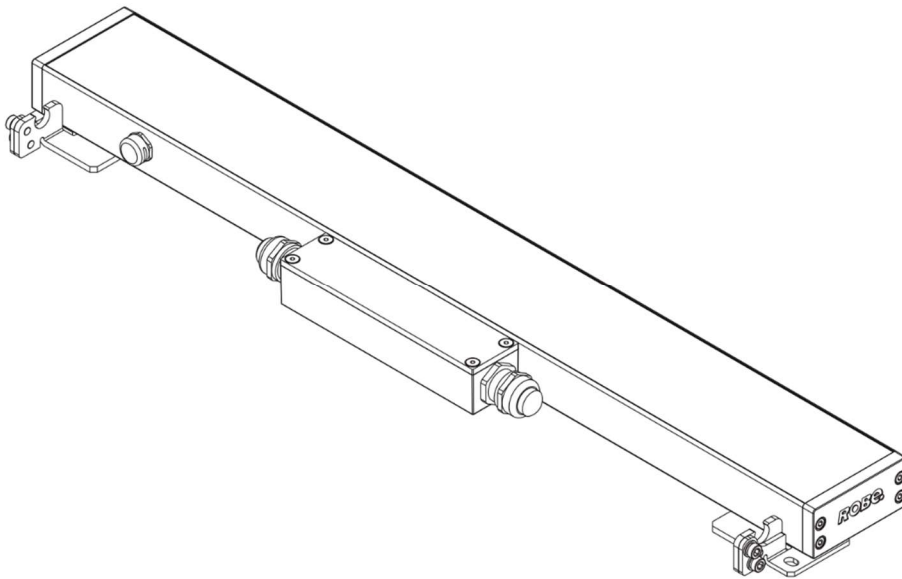


UVinere Remote 1

UVinere Remote 2

UVinere Remote 4



QR code for user manual



USER MANUAL

Version 1.6

Table of contents

| | |
|--------------------------------------|----|
| 1. Safety instructions | 3 |
| 2. Fixture exterior view | 5 |
| 3. Installation | 6 |
| 3.1 Mounting the fixture | 6 |
| 3.2 Connection to driver | 6 |
| 3.3 Wiring of the junction box | 8 |
| 4. Software update | 10 |
| 5. Technical specifications | 11 |
| 6. Cleaning and maintenance | 13 |
| 6.1 Disposing of the product | 13 |
| 7. ChangeLog | 13 |

**FOR YOUR OWN SAFETY, PLEASE READ THIS USER MANUAL CAREFULLY
BEFORE POWERING OR INSTALLING YOUR UVinere Remote !
Save it for future reference.**

This device has left our premises in absolutely perfect condition. In order to maintain this condition and to ensure safe operation, it is absolutely necessary for the user to follow the safety instructions and warnings written in this manual.

The manufacturer will not accept liability for any resulting damages caused by the non-observance of this manual or any unauthorized modification to the device.

Unauthorized modification will void warranty.

1. Safety instructions

**THIS LUMINAIRE IS DESIGNED WITH UV LEDS AND MUST BE INSTALLED IN COMPLIANCE WITH COMPETENT TECHNICAL DIRECTIONS TO PREVENT THE USER'S EYE AND BARE SKIN FROM EXPOSURE TO HARMFUL UV RADIATION.
CE LUMINAIRE EST CONÇU POUR ÊTRE UTILISÉ AVEC DES LED UV ET DOIT ÊTRE INSTALLÉ EN STRICTE CONFORMITÉ AVEC LES INSTRUCTIONS AFIN D'ÉVITER QUE LES YEUX OU LA PEAU L'UTILISATEUR NE SOIENT EXPOSÉS AUX EFFETS NÉFASTES DES RAYONS UV.**



CAUTION: Radiation exposure may cause blindness and cancer of skin!

| Distance from UV source | Maximum exposure time (minutes) | | | | | |
|-------------------------|---------------------------------|-----------|-----------|-----------|-----------|-----------|
| | Non optical version | | | 24° | | |
| | UVinere 1 | UVinere 2 | UVinere 4 | UVinere 1 | UVinere 2 | UVinere 4 |
| 0.8m (2.6ft) | 21 | - | - | - | - | - |
| 0.9m (3.0ft) | 26.6 | - | - | - | - | - |
| 1m (3.3ft) | 32.9 | - | - | - | - | - |
| 1.5m (4.9ft) | 74.0 | 37.0 | 18.5 | - | - | - |
| 2m (6.6ft) | 131.5 | 65.7 | 32.9 | 24.5 | - | - |
| 3m (9.8ft) | 295.9 | 147.9 | 74.0 | 55.0 | 27.5 | - |
| 4m (13ft) | 526.0 | 263.0 | 131.5 | 97.9 | 48.9 | 24.5 |
| 5m (16.4ft) | 821.8 | 410.9 | 205.5 | 152.9 | 76.5 | 38.2 |
| 6m (19.7ft) | 1183.4 | 591.7 | 295.9 | 220.2 | 110.1 | 55.0 |
| 7m (23ft) | 1610.8 | 805.4 | 402.7 | 299.7 | 149.8 | 74.9 |
| 8m (26ft) | 2103.9 | 1051.9 | 526.0 | 391.4 | 195.7 | 97.9 |
| 9m (29.5ft) | 2662.7 | 1331.4 | 665.7 | 495.4 | 247.7 | 123.9 |
| 10m (32.8ft) | 3287.3 | 1643.7 | 821.8 | 611.6 | 305.8 | 152.9 |

DANGEROUS VOLTAGE CONSTITUTING A RISK OF ELECTRIC SHOCK IS PRESENT WITHIN THIS UNIT!

Always disconnect the fixture from power before cleaning, servicing or installing.

This fixture falls under protection class III.

The fixture was designed for outdoor use. This fixture must not be used for underwater installation.

When choosing the installation spot, please make sure that the fixture is not exposed to extreme heat or dust. Do not install the unit near an open flame.

Avoid using the unit in locations subject to possible impacts.

The fixture body never must be covered with cloth or other materials when the fixture is under operation.

Only operate the fixture after having checked that the housing is firmly closed and all screws are tightly fastened.

The fixture becomes hot during operation. Allow the fixture to cool approximately 30 minutes prior to servicing or maintenance.

Operate the fixture only after having familiarized yourself with its functions. Do not permit operation by persons not qualified to operate the fixture.

Please consider that unauthorized modifications on the fixture are forbidden due to safety reasons!

Please use the original packaging if the fixture is to be transported.

If this device will be operated in any way different to the one described in this manual, the product may suffer damages and the warranty becomes void. Furthermore, any other operation may lead to dangers like short-circuit, burns, electric shock etc.

Refer servicing to qualified service personnel.

The product (covers and cables) must not be exposed to a high frequency electromagnetic field higher than 3V/m.

Immunity of the equipment is designed according to the standard EN 55035 Electromagnetic compatibility of multimedia equipment - Immunity requirements

Emission of the equipment complies with the standard EN55032 Electromagnetic compatibility of multimedia equipment – Emission Requirements according to class B.

This device complies with part 15 of the FCC Rules. Operation is subject to the following two conditions: (1) This device may not cause harmful interference, and (2) this device must accept any interference received, including interference that may cause undesired operation.

Changes or modifications not expressly approved by the party responsible for compliance could void the user's authority to operate the equipment.

The [Device] wireless operation is safe and complies to RF Exposure requirements.

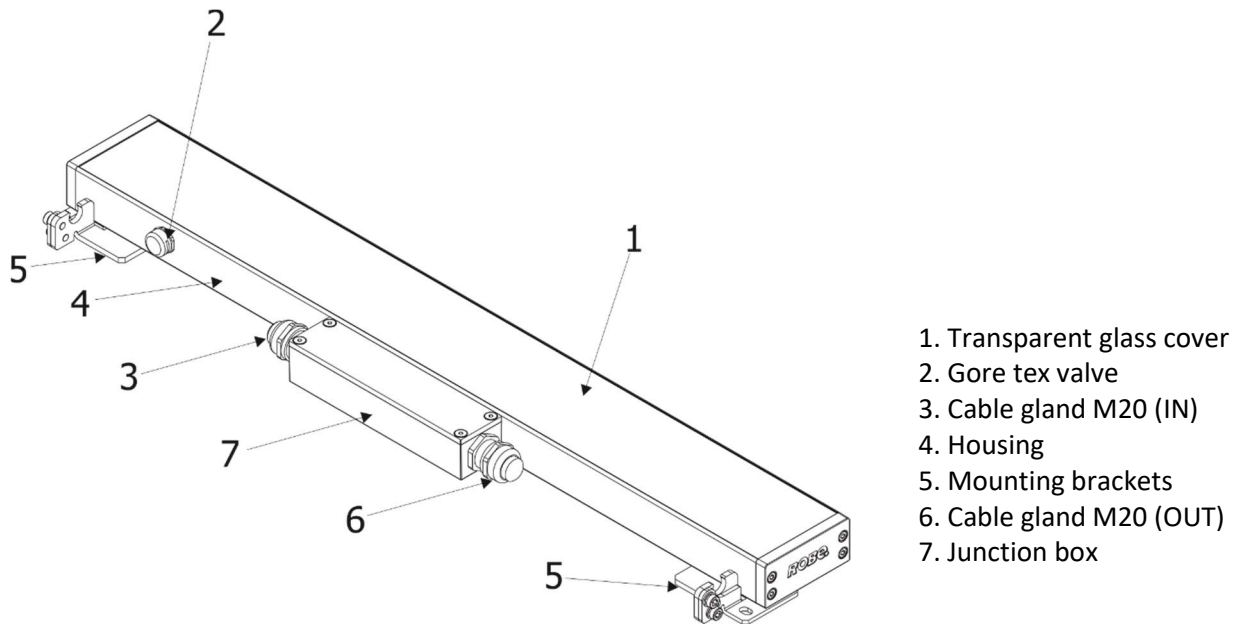
This equipment has been tested and found to comply with the limits for a Class B digital device, pursuant to part 15 of the FCC Rules. These limits are designed to provide reasonable protection against harmful interference in a residential installation. This equipment generates, uses and can radiate radio frequency energy and, if not installed

and used in accordance with the instructions, may cause harmful interference to radio communications. However, there is no guarantee that interference will not occur in a particular installation. If this equipment does cause harmful interference to radio or television reception, which can be determined by turning the equipment off and on, the user is encouraged to try to correct the interference by one or more of the following measures:

- Reorient or relocate the receiving antenna.
- Increase the separation between the equipment and receiver.
- Connect the equipment into an outlet on a circuit different from that to which the receiver is connected.
- Consult the dealer or an experienced radio/TV technician for help.

Warning for fixtures with Harsh Environment Finish (HEF):
Handle with care!
Avoid any damage to the painted surface.
Damaging the paint may result in corrosion and loss of warranty.

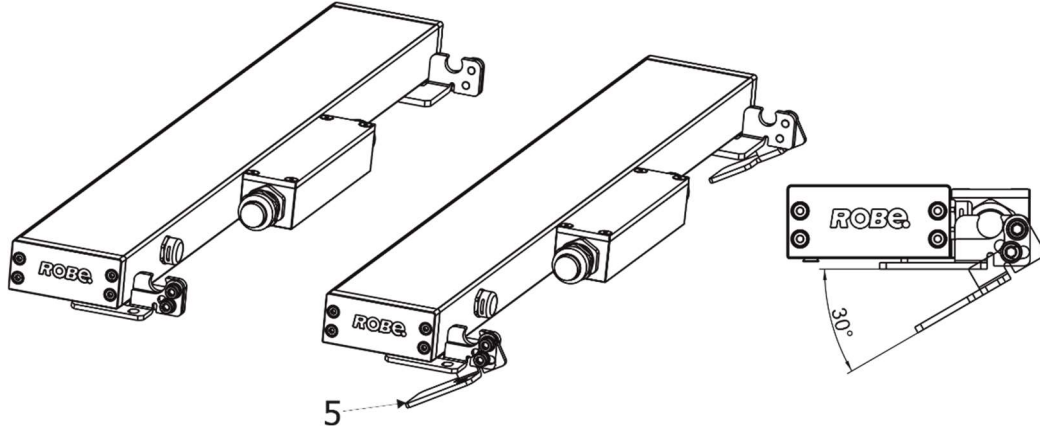
2. Fixture exterior view



3. Installation

3.1 Mounting the fixture

The UVinere Remote can be arranged in any orientation on a flat, non-flammable surface by means of two mounting brackets (5) which can be tilted by 30°.

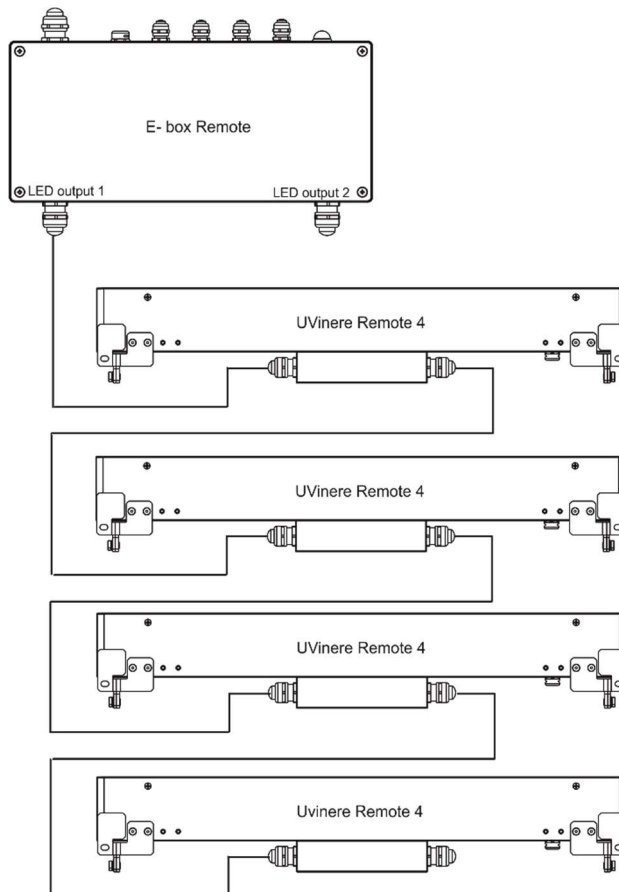


3.2 Connection to driver

The unit must be installed by a qualified electrician in accordance with all national and local electrical and construction codes and regulations.

The UVinere Remote modules should be connected to the E-Box Remote or E-Box Remote basic as stated in the chapter "Technical specifications".

Example of connection



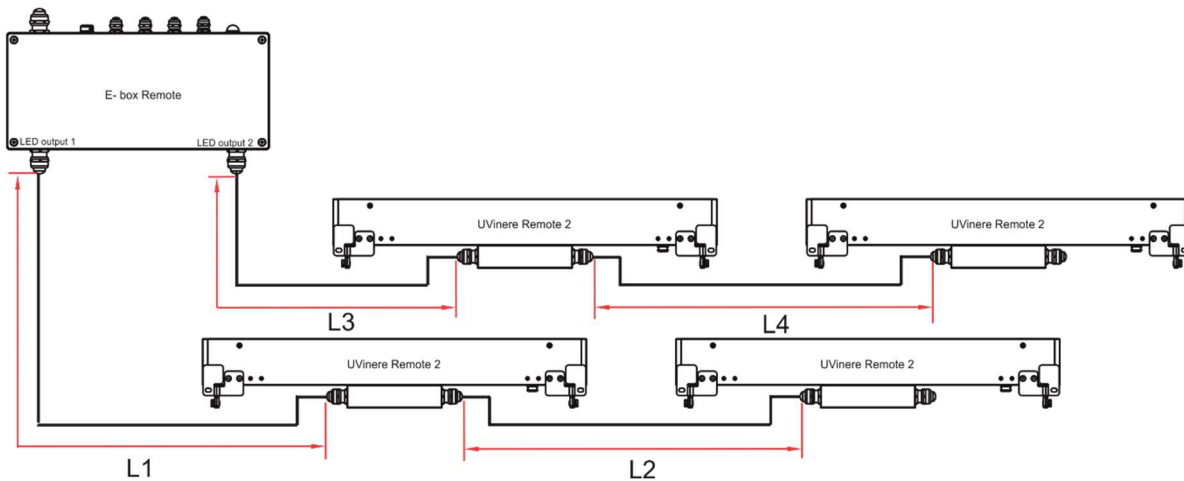
UVinere Remote

The table below states max. number of UVinere Remote modules connected to the E-box Remote/E-box Remote Basic.

| Cable length * | Max. number of UVineres Remote UV connected to the E-box Remote/E-box Remote Basic | | |
|----------------|--|------------------|------------------|
| | UVinere Remote 1 | UVinere Remote 2 | UVinere Remote 4 |
| 25 m | 20 | 10 | 5 |
| 50 m | 16 | 8 | 4 |
| 75 m | 13 | 6 | 3 |
| 100 m | 10 | 5 | 2 |

* Cable length is a total cable length between E-box Remote (E-box Remote Basic) and last connected UVinere Remote.

Example: Total cable length=L1+L2+L3+L4



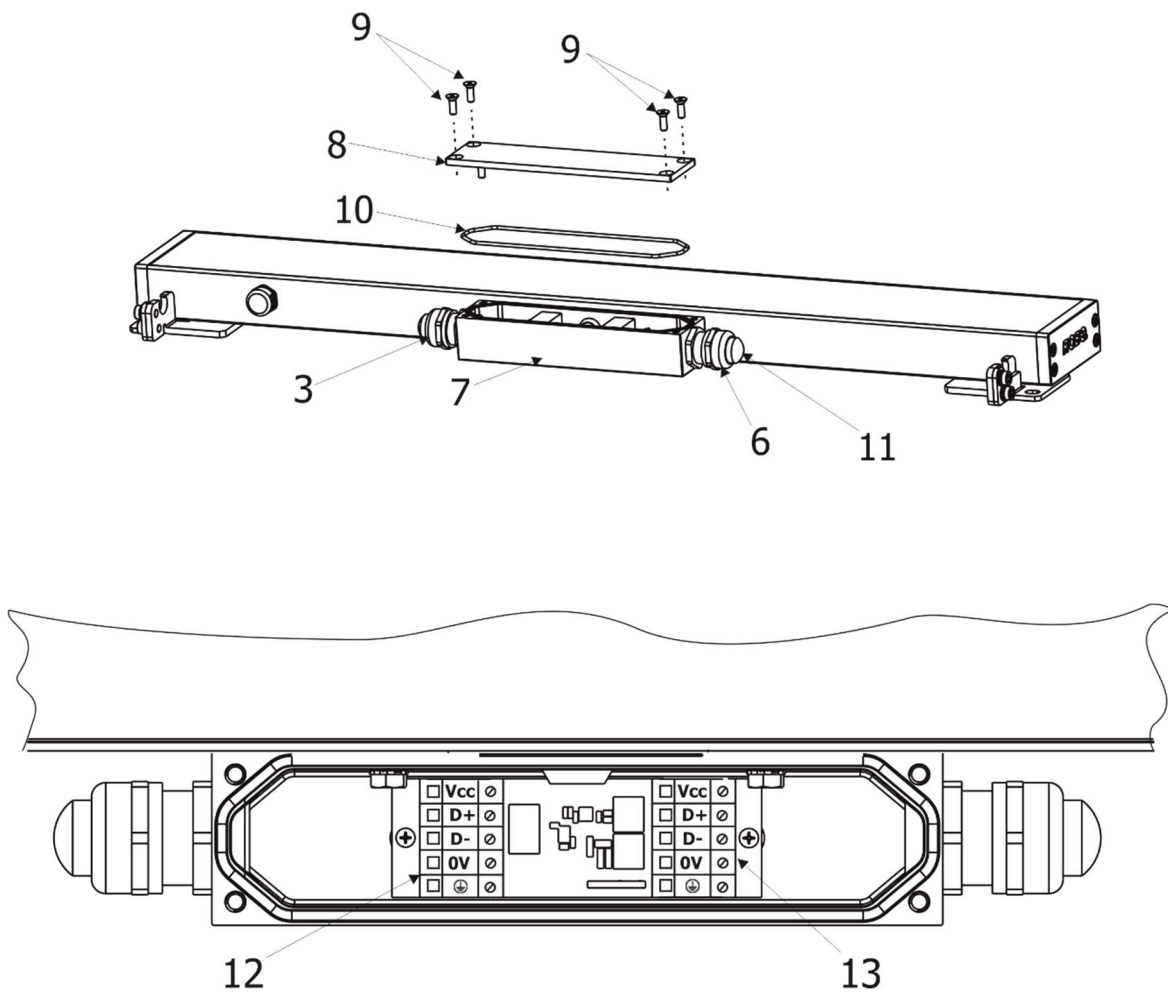
Max. number of UVinere Remote modules connected to the one output of the E-box Remote/E-box Remote Basic is stated in the following table.

| Max. number of UVineres Remote connected to the one output of the E-box Remote/E-box Remote Basic | | |
|---|------------------|------------------|
| UVinere Remote 1 | UVinere Remote 2 | UVinere Remote 4 |
| 16 | 8 | 4 |

Example: if you want to connect 10 UVineres Remote to the E-box Remote, you may connect 8 UVineres Remote 2 to the output 1 and 2 UVineres Remote UV 2 to the output 2 (at total cable length of 25 m).

3.3 Wiring of the junction box

1. Unscrew the four screws (9) on the cover (8) of the junction box (7), remove the cover (8) and the gasket (10).
2. Remove the end cap (11) from cable glands before passing cables through cable glands M20 (3,6).
The cable glands M20x1.5 can be used for cables of a diameter of 7-13mm.
3. Pass the power/data cables through the cable glands (3,6) and connect them to the connection blocks (12, 13).
4. After checking all connections, fill the junction box with synthetic resin. Make sure that the End cap is inserted in unused cable gland before filling it.
At filling of the junction box proceed according instructions stated on the bag of the resin.
The connection blocks have to be fully poured in the resin.
5. Place the gasket (10) on the junction box (7) and screw the cover (8) to the junction box (7).
Check that all cable glands (and blind flange) and screws are firmly tightened.




Wiring of connection blocks (12,13) in the junction box

CE version

| Connector | Vcc | D+ | D- | 0V | ⊕ |
|----------------|--------|--------|--------|--------|---------------|
| Function | LEDs + | Data + | Data - | LEDs - | Ground |
| Colour of wire | Red | Orange | White | Black | Not connected |


UVinere Remote

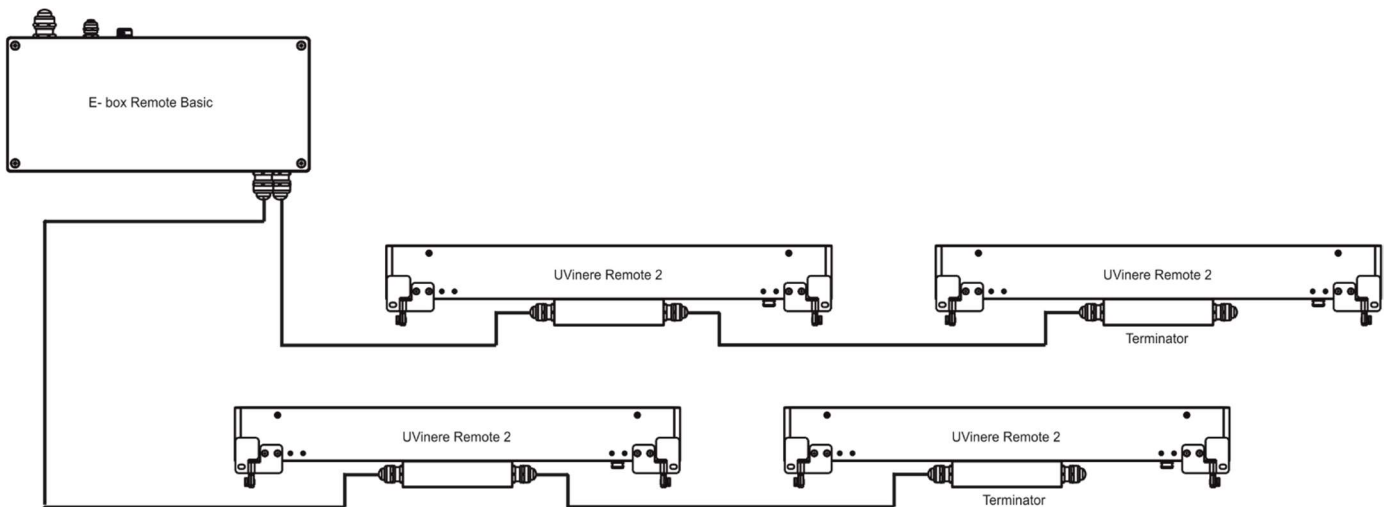
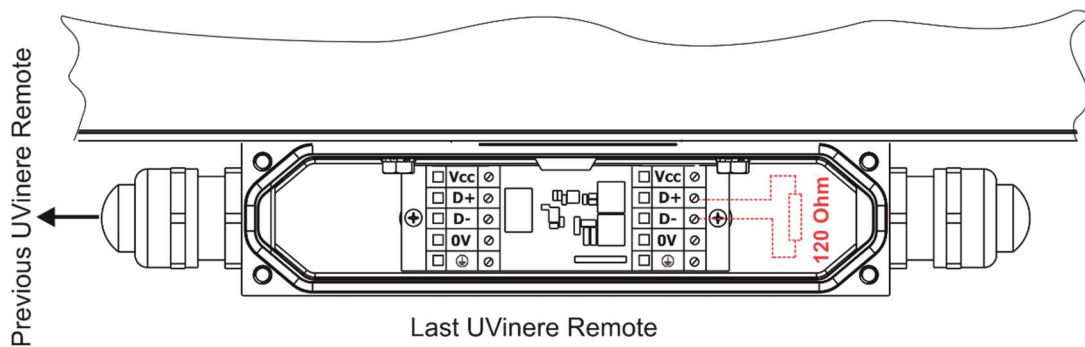
US version

| Connector | Vcc | D+ | D- | 0V |  |
|----------------|--------|--------|--------|--------|---|
| Function | LEDs + | Data + | Data - | LEDs - | Ground |
| Colour of wire | Red | Orange | White | Black | Yellow/Green |

NOTE: Each line of UVinere Remote connected to the LED output of the E-box Remote/E-box Remote Basic has to be terminated at the last fixture.

EITHER connect a 120 Ohm resistor between terminals D+ and D- in the last fixture, **OR** terminate via RDM as described in the user manual for the E-box Remote.

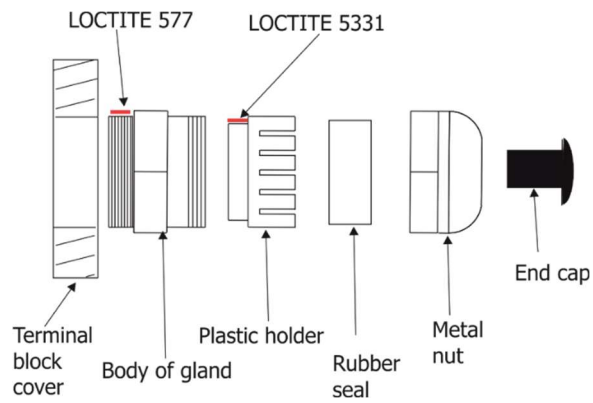
 Ensure **ONLY** the last fixture in the line is terminated using **ONE** of the above methods!



To keep declared IP rating of the fixture, every cable gland has to be covered with the end cap (11) if the cable gland is not used for cable passing.

We recommend to apply an adequate layer of the paste LOCTITE 5331 on the plastic holder of the cable gland before inserting it into the body of the gland and an adequate layer of the paste LOCTITE 577 on the thread of the body of gland (if the cable gland was screwed out).

UVinere Remote



4. Software update

Software update of UVinere Remote has to be done by means of the software ROBE Uploader running on PC. The ROBE Uploader is a software for automatized software update of ROBE fixtures. The ROBE Uploader switches Emineres Remote UV to the update mode automatically. Please see <https://www.robe.cz/robe-uploader/> for more information about ROBE uploader and the E-box Remote user manual (E-box Remote Basic user manual).

5. Technical specifications

Power supply

- Input voltage: 48 V
- Power consumption:
 - UVinere Remote 1: 20W
 - UVinere Remote 2: 40W
 - UVinere Remote 4: 80W

Optic

- Light source:
 - UVinere Remote 1: 8 x UV LEDs
 - UVinere Remote 2: 16 x UV LEDs
 - UVinere Remote 4: 32 x UV LEDs
- UV LEDs Wave Length: 365nm
- Beam Angle:
 - optical version: 24°
 - non-optical version: 92°
- LEDs lifetime: 10.000 hrs

Compatible drivers

- E-box Remote, E-box Remote Basic

Mounting method

- Via two L-shape brackets with adjustment range 30°

Housing

- Aluminium extruded body
- Tempered glass

Cooling system

- Convection

Total heat dissipation

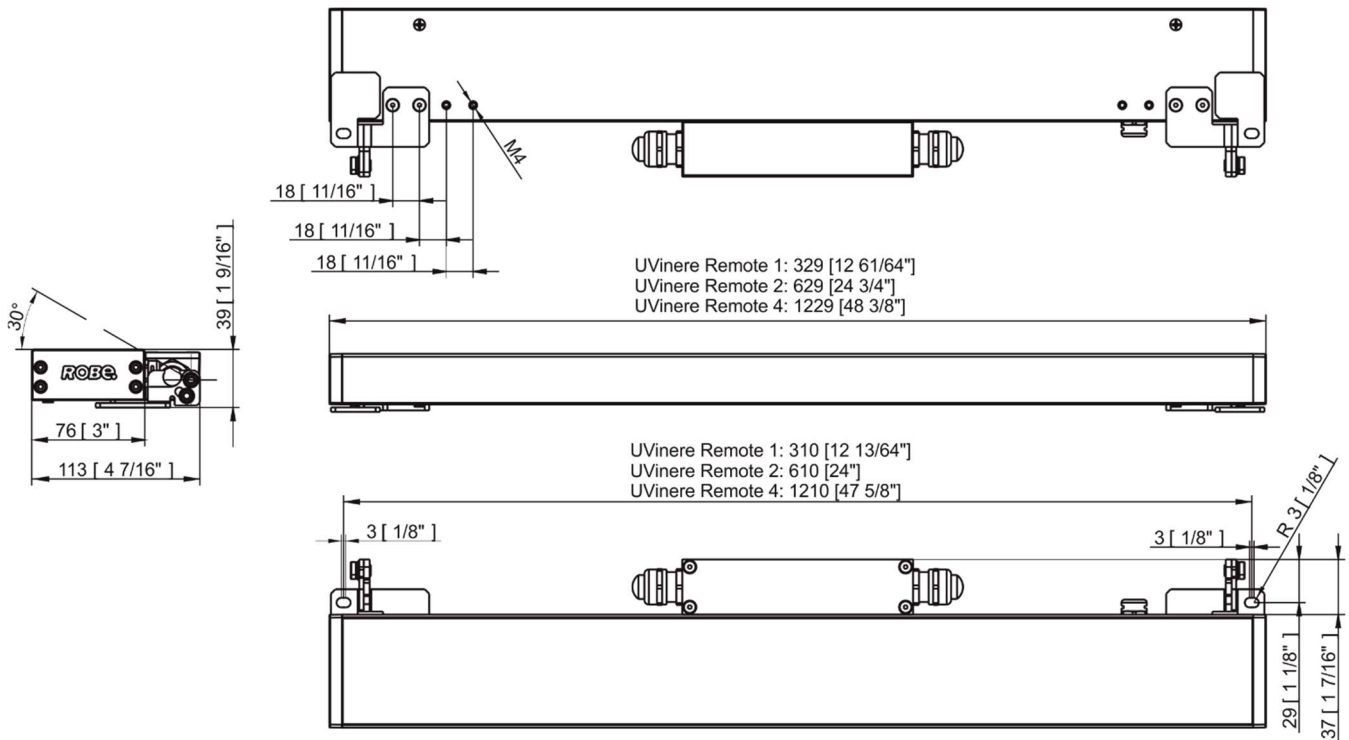
- UVinere Remote 1: 51 BTU/h (calculated)
- UVinere Remote 2: 102 BTU/h (calculated)
- UVinere Remote 4: 205 BTU/h (calculated)

Weight

- UVinere Remote 1: 2 kg (4.41 lbs)
- UVinere Remote 2: 3.1 kg (6.83 lbs)
- UVinere Remote 4: 5.1 kg (11.24 lbs)

UVinere Remote

Dimensions (All dimensions in mm [inch])



Protection factor

- CE: IP 67
- US: Suitable for wet location

Impact rating

- CE: IK06

Operating ambient temperature range

- -20°C /+40°C (-4°F /+104°F)

Operating temperature

- +67°C @ Ambient +40°C (+153°F @ Ambient +104°F)

Connection

- 5-cored cable

Included items

- 1 x UVinere Remote
- 1 x User manual

Optional accessories

- Cable for Eminere Remote (P/N 13053336)
- Black Glass Adaptor UVinere Remote 2 RAL9011 (P/N 10980752)
- Black Glass Adaptor UVinere Remote 4 RAL9011 (P/N 10980702)

6. Cleaning and maintenance

DANGER !
Disconnect from the mains before starting any maintenance or cleaning work

Rinse off loose dirt with low pressure water spray. Wash the housing with a soft brush or sponge and a mild, non-abrasive washing detergent. Rinse it.

Maintenance and service operations are only to be carried out by a qualified person.

Should you need any spare parts, please use ROBE OEM parts.

6.1 Disposing of the product

To preserve the environment please dispose or recycle this product at the end of its life according to the local regulations and codes.

7. ChangeLog

This section summarizes changes in the user manual.

| Version of the manual | Date of issue | Description of changes |
|-----------------------|---------------|---|
| 1.0 | 19/05/2022 | QR code added |
| 1.1 | 17/08/2022 | Termination of Emineres line added, colors of wires changed |
| 1.2 | 09/01/2023 | Eminere Remote 1 added |
| 1.3 | 18/01/2023 | Device renamed to UVinere Remote |
| 1.4 | 10/02/2023 | DMX chart ver. 3.2 |
| 1.5 | 11/01/2024 | Description of junction box connection |
| 1.6 | 16/02/2024 | Notice about Protection class III added to Safety instructins |

Specifications are subject to change without notice.

February 16, 2024

Copyright © 2020-2024 Robe Lighting - All rights reserved

Made in CZECH REPUBLIC by ROBE LIGHTING s.r.o. Palackeho 416/20 CZ 75701 Valasske Mezirici

**DMX protocol for: Eminere 1/2/3/4; Eminere Side 1/2/3/4;
Eminere Inground 2/4; Eminere Remote 1/2/3/4;
UVinere 2/4; UVinere Remote 1/2/4**

Version: 3.3 (23 modes in total), software version 3.0 and higher

| Mode/Channels in all | | | | | | | | Mode 1: RGBW(A)-8bit, Mode 2: RGB 8-bit, Mode 3: full RGBW(A) | |
|----------------------|---|----|---|---|---|----|-----------|--|-----------------|
| 1 | 2 | 3 | 4 | 5 | 6 | 7 | 8-10 | Mode 4: White-full control, Mode 5: Reduced RGBW(A) | |
| 4 | 3 | 12 | 3 | 6 | 8 | 15 | Reserved | Mode 6- Reduced RGBW(A)+white control | |
| | | | | | | | | Mode 7- full RGBW(A)+virtual colour wheel | |
| | | | | | | | | RGBW(A) / RGB modes | |
| Mode/channels | | | | | | | DMX Value | Function | Type of control |
| 1 | 2 | 3 | 4 | 5 | 6 | 7 | | | |
| - | - | - | - | - | - | 1 | 0 | Special functions No function | step |
| | | | | | | | | <i>To activate following functions , stop in DMX value for at least 3 sec.</i> | |
| | | | | | | | 1-2 | Save current DMX values to fixture as initial DMX values. | step |
| | | | | | | | 3-4 | Show saved initial DMX values | step |
| | | | | | | | 5-6 | Run factory demo sequences at switching fixture on (without DMX) | step |
| | | | | | | | 7-8 | Insect friendly light On (RGBA version only) | step |
| | | | | | | | 9-10 | Insect friendly light Off (RGBA version only) | step |
| | | | | | | | 11-255 | Reserved | |
| 1 | 1 | 1 | - | 1 | 1 | 2 | 0-255 | Red Red LEDs saturation control (0-100%) | proportional |
| - | - | 2 | - | - | - | 3 | 0-255 | Red Fine Red LEDs saturation control fine | proportional |
| 2 | 2 | 3 | - | 2 | 2 | 4 | 0-255 | Green Green LEDs saturation control (0-100%) | proportional |
| - | - | 4 | - | - | - | 5 | 0-255 | Green Fine Green LEDs saturation control fine | proportional |
| 3 | 3 | 5 | - | 3 | 3 | 6 | 0-255 | Blue Blue LEDs saturation control (0-100%) | proportional |
| - | - | 6 | - | - | - | 7 | 0-255 | Blue Fine Blue LEDs saturation control fine | proportional |
| 4 | - | 7 | - | 4 | 4 | 8 | 0-255 | White (Amber) White LEDs saturation control (0-100%) | proportional |
| - | - | 8 | - | - | - | 9 | 0-255 | White (Amber) Fine White LEDs saturation control fine | proportional |
| - | - | 9 | 1 | - | 5 | 10 | 0 | Green correction Uncorrected white | step |
| | | | | | | | 1-127 | Minus green --> uncorrected white | proportional |
| | | | | | | | 128 | Uncorrected white (128=default) | step |
| | | | | | | | 129-255 | Uncorrected white --> Plus green | proportional |
| - | - | 10 | 2 | - | 6 | 11 | 0 | Colour temperature correction (CTC) No function | step |
| | | | | | | | 1-10 | Tungsten dimming 2700 K | step |
| | | | | | | | 11-20 | Tungsten dimming 3200 K | step |
| | | | | | | | 21-255 | Colour temperature changing from 1800 K --> 6500 K | proportional |

DMX protocol

| Mode/channels | | | | | | | DMX Value | Function | Type of control |
|---------------|---|---|---|---|---|----|-----------|---|-----------------|
| 1 | 2 | 3 | 4 | 5 | 6 | 7 | | | |
| | | | | | | | | (21-1800K, 66-2700K, 91-3200K,141-4200K, 211-5600K, 255-6500K) | |
| - | - | - | - | - | - | 12 | | Virtual Colour Wheel | |
| | | | | | | | 0 | No function | step |
| | | | | | | | 1-2 | White 1800 K | step |
| | | | | | | | 3-4 | White 2700 K | step |
| | | | | | | | 5-6 | White 3200 K | step |
| | | | | | | | 7-8 | White 4200 K | step |
| | | | | | | | 9-10 | White 5600 K | step |
| | | | | | | | 11-12 | White 6500 K | step |
| | | | | | | | 13 | Blue (Blue=full, Red+Green+White/Amber=0) | step |
| | | | | | | | 14-23 | Red=0, Green->up,Blue =full, White/Amber=0 | proportional |
| | | | | | | | 24 | Cyan (Red=0, Green=full, Blue =full, White/Amber=0) | step |
| | | | | | | | 25-34 | Red=0, Green=full, Blue->down, White/Amber=0 | proportional |
| | | | | | | | 35 | Green (Red=0, Green=full, Blue =0, White/Amber=0) | step |
| | | | | | | | 36-45 | Red->up, Green=full, Blue=0, White/Amber=0 | proportional |
| | | | | | | | 46 | Yellow (Red=full, Green=full, Blue=0, White/Amber=0) | step |
| | | | | | | | 47-56 | Red=full, Green->down, Blue=0, White/Amber=0 | proportional |
| | | | | | | | 57 | Red(Red=full, Green=0, Blue=0, White/Amber=0) | step |
| | | | | | | | 58-67 | Red=full, Green=0, Blue->up, White/Amber=0 | proportional |
| | | | | | | | 68 | Magenta (Red=full, Green=0, Blue=full, White/Amber=0) | step |
| | | | | | | | 69-78 | Red -> down, Green=0, Blue=full, White/Amber=0 | proportional |
| | | | | | | | 79 | Blue (Red=0, Green=0, Blue=full, White/Amber=0) | step |
| | | | | | | | | Transition effects | |
| | | | | | | | 80-87 | Rainbow effect (with fade time) from slow-> fast | proportional |
| | | | | | | | 88-95 | Rainbow effect (without fade time) from slow-> fast | proportional |
| | | | | | | | 96-103 | Full dynamic white (1800K->6500K->1800K) (with fade time) from slow-> fast | proportional |
| | | | | | | | 104-111 | Full dynamic white (1800K->6500K->1800K) (without fade time) from slow-> fast | proportional |
| | | | | | | | 112-119 | Dynamic warm white (1800K-3000K-1800K) (with fade time) from slow-> fast | proportional |
| | | | | | | | 120-127 | Dynamic warm white (1800K-3000K-1800K) (without fade time) from slow-> fast | proportional |
| | | | | | | | 128-135 | Rainbow effect + full dynamic white (with fade time) from slow-> fast | proportional |
| | | | | | | | 136-143 | Rainbow effect + full dynamic white (without fade time) from slow-> fast | proportional |
| | | | | | | | 144-151 | Blue/Green effect (with fade time) from slow-> fast | proportional |
| | | | | | | | 152-159 | Blue/Green effect (without fade time) from slow-> fast | proportional |
| | | | | | | | 160-167 | Red/Blue effect (with fade time) from slow-> fast | proportional |
| | | | | | | | 168-175 | Red/Blue effect (without fade time) from slow-> fast | proportional |
| | | | | | | | 176-183 | Green/Red effect (with fade time) from slow-> fast | proportional |
| | | | | | | | 184-191 | Green/Red effect (without fade time) from slow-> fast | proportional |
| | | | | | | | 192-199 | Blue/4000K effect (with fade time) from slow-> fast | proportional |
| | | | | | | | 200-207 | Blue/4000K effect (without fade time) from slow-> fast | proportional |
| | | | | | | | 208-215 | Green/4000K effect (with fade time) from slow-> fast | proportional |
| | | | | | | | 216-223 | Green/4000K effect (without fade time) from slow-> fast | proportional |
| | | | | | | | 224-231 | Red/4000K effect (with fade time) from slow-> fast | proportional |
| | | | | | | | 232-239 | Red/4000K effect (without fade time) from slow-> fast | proportional |
| | | | | | | | 240-255 | Reserved | |

DMX protocol

| Mode/channels | | | | | | | DMX Value | Function | Type of control |
|--|---|----|---|---|---|----|-----------|--|-----------------|
| 1 | 2 | 3 | 4 | 5 | 6 | 7 | | | |
| | | | | | | 13 | | Shutter/Strobe | |
| | | | | | | | 0-31 | Shutter closed | step |
| | | | | | | | 32-63 | Shutter open | step |
| | | | | | | | 64-95 | Strobe-effect from slow to fast | proportional |
| | | | | | | | 96-127 | Shutter open | step |
| | | | | | | | 128-143 | Opening pulse in sequences from slow to fast | proportional |
| | | | | | | | 144-159 | Closing pulse in sequences from fast to slow | proportional |
| | | | | | | | 160-191 | Shutter open | step |
| | | | | | | | 192-223 | Random strobe-effect from slow to fast | proportional |
| | | | | | | | 224-255 | Shutter open | step |
| - | - | 11 | 3 | 5 | 7 | 14 | | Dimmer | |
| | | | | | | | 0-255 | Light intensity coarse (0-100%) | proportional |
| - | - | 12 | - | 6 | 8 | 15 | | Dimmer Fine | |
| | | | | | | | 0-255 | Light intensity fine | proportional |
| Copyright © 2022-2024 Robe Lighting s.r.o. - All rights reserved | | | | | | | | | |
| All Specifications subject to change without notice | | | | | | | | | |

| DMX protocol for: Eminere 1/2/3/4; Eminere Side 1/2/3/4; Eminere Inground 2/4; Eminere Remote 1/2/3/4; UVinere 2/4; UVinere Remote 1/2/4 | | | | | |
|--|-----------|-----------|--------------|--|-----------------|
| Version: 3.3 (23 modes in total) | | | | | |
| Mode/Channels in all | | | | Mode 11: White selection, Mode 12: WW + CW | |
| 11 | 12 | 13 | 14-16 | Mode 13: Only dimmer | |
| 3 | 4 | 2 | Reserved | <i>Mode 13 is suitable for UVinere and UVinere Remote</i> | |
| TW and PW modes | | | | | |
| Mode/channels | | | DMX Value | Function | Type of control |
| 11 | 12 | 13 | | | |
| 1 | - | - | 0 - 255 | White colour selection White from 2700 K - 6500 K | proportional |
| - | 1 | - | 0 - 255 | Warm White Warm White LEDs saturation control (0-100%) | proportional |
| - | 2 | - | 0 - 255 | Cool White Cool White LEDs saturation control (0-100%) | proportional |
| 2 | 3 | 1 | 0 - 255 | Dimmer Light intensity coarse (0 - 100%) | proportional |
| 3 | 4 | 2 | 0 - 255 | Dimmer Fine Light intensity fine | proportional |
| Copyright © 2022-2024 Robe Lighting s.r.o. - All rights reserved | | | | | |
| All Specifications subject to change without notice | | | | | |

**DMX protocol for: Eminere 1/2/3/4; Eminere Side 1/2/3/4;
Eminere Inground 2/4; Eminere Remote 1/2/3/4;**

Version: 3.3 (23 modes in total)

| Mode/Channels in all | | | | | Mode 17: RGBW(A) pixels, Mode 18: RGB pixels, Mode 19: TW pixels, Mode 20: PW dimmer pixels | | |
|----------------------|----|----|----|----------|--|--------------|-----------------|
| 17 | 18 | 19 | 20 | 21-23 | | | |
| 16 | 12 | 8 | 8 | Reserved | | | |
| Mode/channels | | | | | DMX Value | Pixel modes | Type of control |
| 17 | 18 | 19 | 20 | | Function | | |
| 1 | 1 | - | - | 0 - 255 | Red 1 -Eminere 1/2/3/4 Red LEDs saturation control (0-100%) | proportional | |
| 2 | 2 | - | - | 0 - 255 | Green 1-Eminere 1/2/3/4 Green LEDs saturation control (0-100%) | proportional | |
| 3 | 3 | - | - | 0 - 255 | Blue 1-Eminere 1/2/3/4 Blue LEDs saturation control (0-100%) | proportional | |
| 4 | - | - | - | 0 - 255 | White (Amber) 1-Eminere 1/2/3/4 White LEDs saturation control (0-100%) | proportional | |
| 5 | 4 | - | - | 0 - 255 | Red 2 -Eminere 2/3/4 Red LEDs saturation control (0-100%) | proportional | |
| 6 | 5 | - | - | 0 - 255 | Green 2-Eminere 2/3/4 Green LEDs saturation control (0-100%) | proportional | |
| 7 | 6 | - | - | 0 - 255 | Blue 2-Eminere 2/3/4 Red LEDs saturation control (0-100%) | proportional | |
| 8 | - | - | - | 0 - 255 | White (Amber) 2-Eminere 2/3/4 White LEDs saturation control (0-100%) | proportional | |
| 9 | 7 | - | - | 0 - 255 | Red 3-Eminere 3/4 Red LEDs saturation control (0-100%) | proportional | |
| 10 | 8 | - | - | 0 - 255 | Green 3-Eminere 3/4 Green LEDs saturation control (0-100%) | proportional | |
| 11 | 9 | - | - | 0 - 255 | Blue 3-Eminere 3/4 Blue LEDs saturation control (0-100%) | proportional | |
| 12 | - | - | - | 0 - 255 | White (Amber) 3-Eminere 3/4 White LEDs saturation control (0-100%) | proportional | |
| 13 | 10 | - | - | 0 - 255 | Red 4-Eminere 4 Red LEDs saturation control (0-100%) | proportional | |
| 14 | 11 | - | - | 0 - 255 | Green 4-Eminere 4 Green LEDs saturation control (0-100%) | proportional | |
| 15 | 12 | - | - | 0 - 255 | Blue 4-Eminere 4 Blue LEDs saturation control (0-100%) | proportional | |
| 16 | - | - | - | 0 - 255 | White (Amber) 4 -Eminere 4 White LEDs saturation control (0-100%) | proportional | |
| - | - | 1 | - | | Warm White 1 -Eminere 1/2/3/4 Warm White LEDs saturation control (0-100%) | proportional | |
| - | - | 2 | - | 0 - 255 | Cool White 1-Eminere 1/2/3/4 Cool White LEDs saturation control (0-100%) | proportional | |
| - | - | 3 | - | | Warm White 2-Eminere 2/3/4 | | |

DMX protocol

| Mode/channels | | | | DMX Value | Function | Type of control |
|--|----|----|----|-----------|--|-----------------|
| 17 | 18 | 19 | 20 | | | |
| | | | | 0 - 255 | Warm White LEDs saturation control (0-100%) | proportional |
| - | - | 4 | - | 0 - 255 | Cool White 2-Eminere 2/3/4 Cool White LEDs saturation control (0-100%) | proportional |
| - | - | 5 | - | 0 - 255 | Warm White 3-Eminere 3/4 Warm White LEDs saturation control (0-100%) | proportional |
| - | - | 6 | - | 0 - 255 | Cool White 3-Eminere 3/4 Cool White LEDs saturation control (0-100%) | proportional |
| - | - | 7 | - | 0 - 255 | Warm White 4 -Eminere 4 Warm White LEDs saturation control (0-100%) | proportional |
| - | - | 8 | - | 0 - 255 | Cool White 4 -Eminere 4 Cool White LEDs saturation control (0-100%) | proportional |
| - | - | - | 1 | 0 - 255 | Dimmer 1 Light intensity coarse (0 - 100%) | proportional |
| - | - | - | 2 | 0 - 255 | Dimmer Fine 1 Light intensity fine | proportional |
| - | - | - | 3 | 0 - 255 | Dimmer 2 Light intensity coarse (0 - 100%) | proportional |
| - | - | - | 4 | 0 - 255 | Dimmer Fine 2 Light intensity fine | proportional |
| - | - | - | 5 | 0 - 255 | Dimmer 3 Light intensity coarse (0 - 100%) | proportional |
| - | - | - | 6 | 0 - 255 | Dimmer Fine 3 Light intensity fine | proportional |
| - | - | - | 7 | 0 - 255 | Dimmer 4 Light intensity coarse (0 - 100%) | proportional |
| - | - | - | 8 | 0 - 255 | Dimmer Fine 4 Light intensity fine | proportional |
| Copyright © 2022-2024 Robe Lighting s.r.o. - All rights reserved | | | | | | |
| All Specifications subject to change without notice | | | | | | |