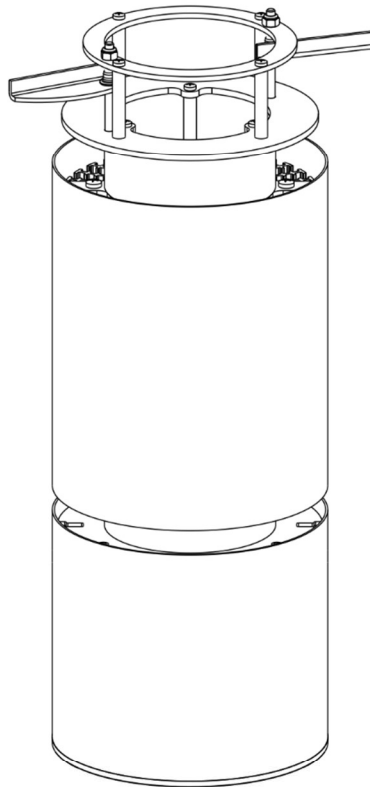


# Ambiane<sup>®</sup> HP111 Surface Mount



QR code for user manual



**USER MANUAL**

Version 1.5

## Table of contents

1. Attention.....	3
2. Fixture exterior view.....	4
3. Installation.....	5
4. DMX and DALI address setting and control.....	10
5. 0-10V control.....	11
6. RDM.....	12
4.1 Example of Control panel in RDM manager.....	13
7. DMX protocols.....	14
8. Technical specifications.....	16
9. Cleaning and maintenance.....	18
9.1 Software update.....	19
9.2 Disposing of the product.....	20

## 1. Attention

The unit must be installed by a qualified electrician in accordance with all national and local electrical and construction codes and regulations.

The unit was designed for indoor use only.

This unit falls under protection class III.

Do not install the unit near highly inflammable liquids or materials.

Do not allow anything to rest on the unit.

Do not install the unit near an open flame.

Do not install the unit in dirty, dusty or badly ventilated location.

Avoid looking directly into the light beam at close range!

A ceiling (structure) intended for installation of the unit(s) must safely hold at least 5 times the weight of the unit(s) fastened on it.

The product (covers and cables) must not be exposed to a high frequency electromagnetic field higher than 3V/m.

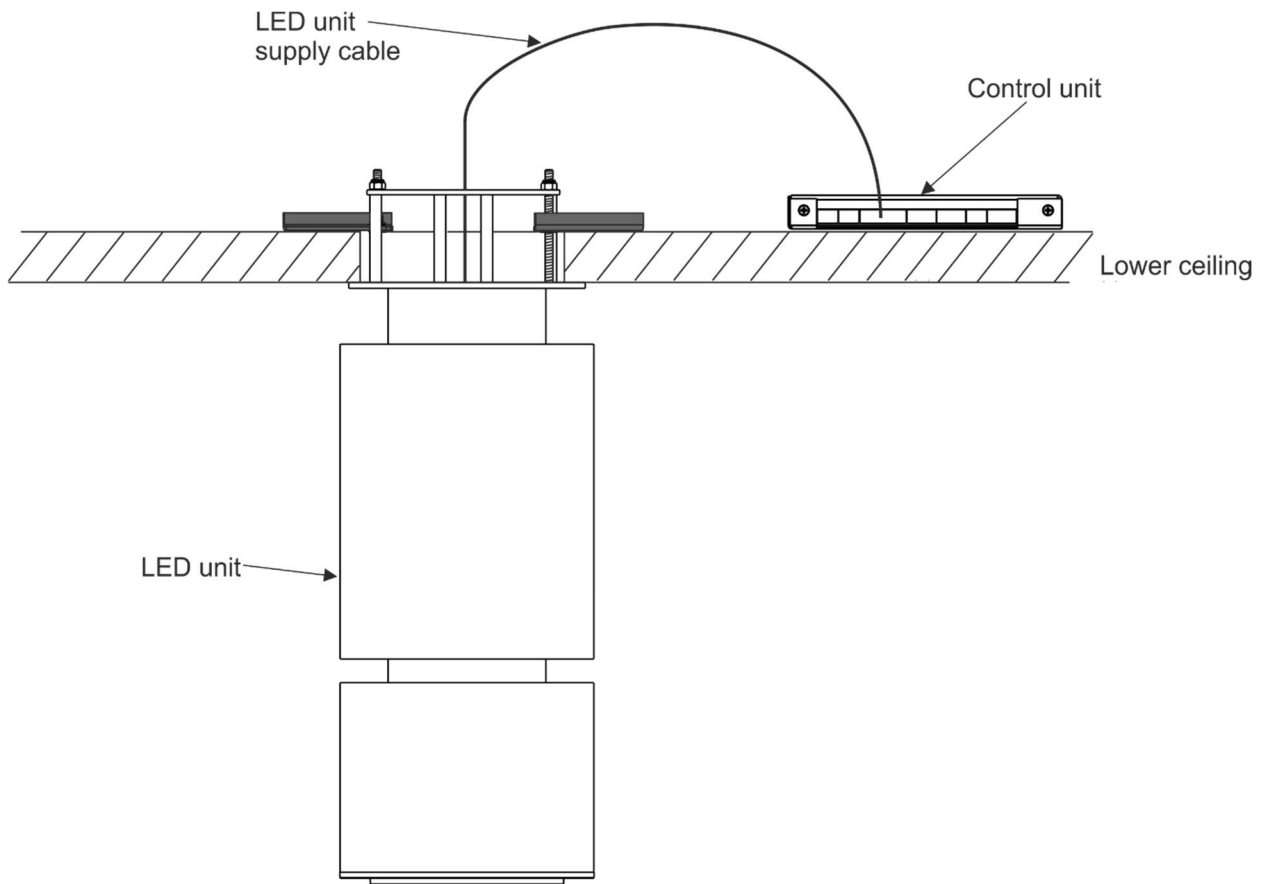
Immunity of the equipment is designed according to the standard EN 55035 Electromagnetic compatibility of multimedia equipment - Immunity requirements.

Emission of the equipment complies with the standard EN55032 Electromagnetic compatibility of multimedia equipment – Emission Requirements according to class B.

This equipment has been tested and found to comply with the limits for a Class B digital device, pursuant to part 15 of the FCC Rules. These limits are designed to provide reasonable protection against harmful interference in a residential installation. This equipment generates, uses and can radiate radio frequency energy and, if not installed and used in accordance with the instructions, may cause harmful interference to radio communications. However, there is no guarantee that interference will not occur in a particular installation. If this equipment does cause harmful interference to radio or television reception, which can be determined by turning the equipment off and on, the user is encouraged to try to correct the interference by one or more of the following measures:

- Reorient or relocate the receiving antenna.
- Increase the separation between the equipment and receiver.
- Connect the equipment into an outlet on a circuit different from that to which the receiver is connected.
- Consult the dealer or an experienced radio/TV technician for help.

## 2. Fixture exterior view



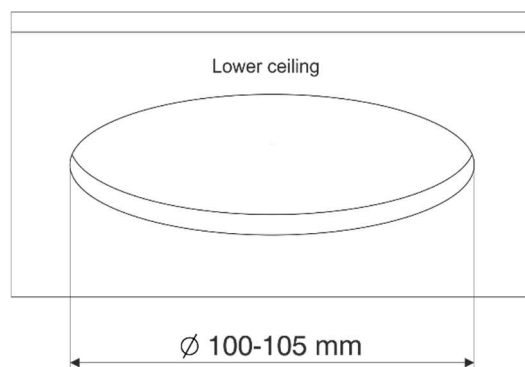
### 3. Installation

The Ambiane HP111 Surface Mount must be installed by a qualified electrician in accordance with all national and local electrical and construction codes and regulations.

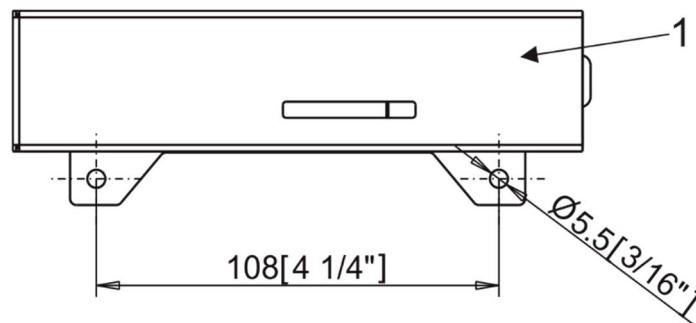
Always switch off power supply of the control unit before connecting or disconnecting the control unit or the light unit.

The lower ceiling (or another structure) intended for installation of the Ambiane(s) HP111 Surface Mount must safely hold at least 5 times weight of the Ambiane(s) HP111 Surface Mount placed on it.

1. Prepare a circular opening in the lower ceiling. Max. possible thickness of the lower ceiling material can be 20 mm.



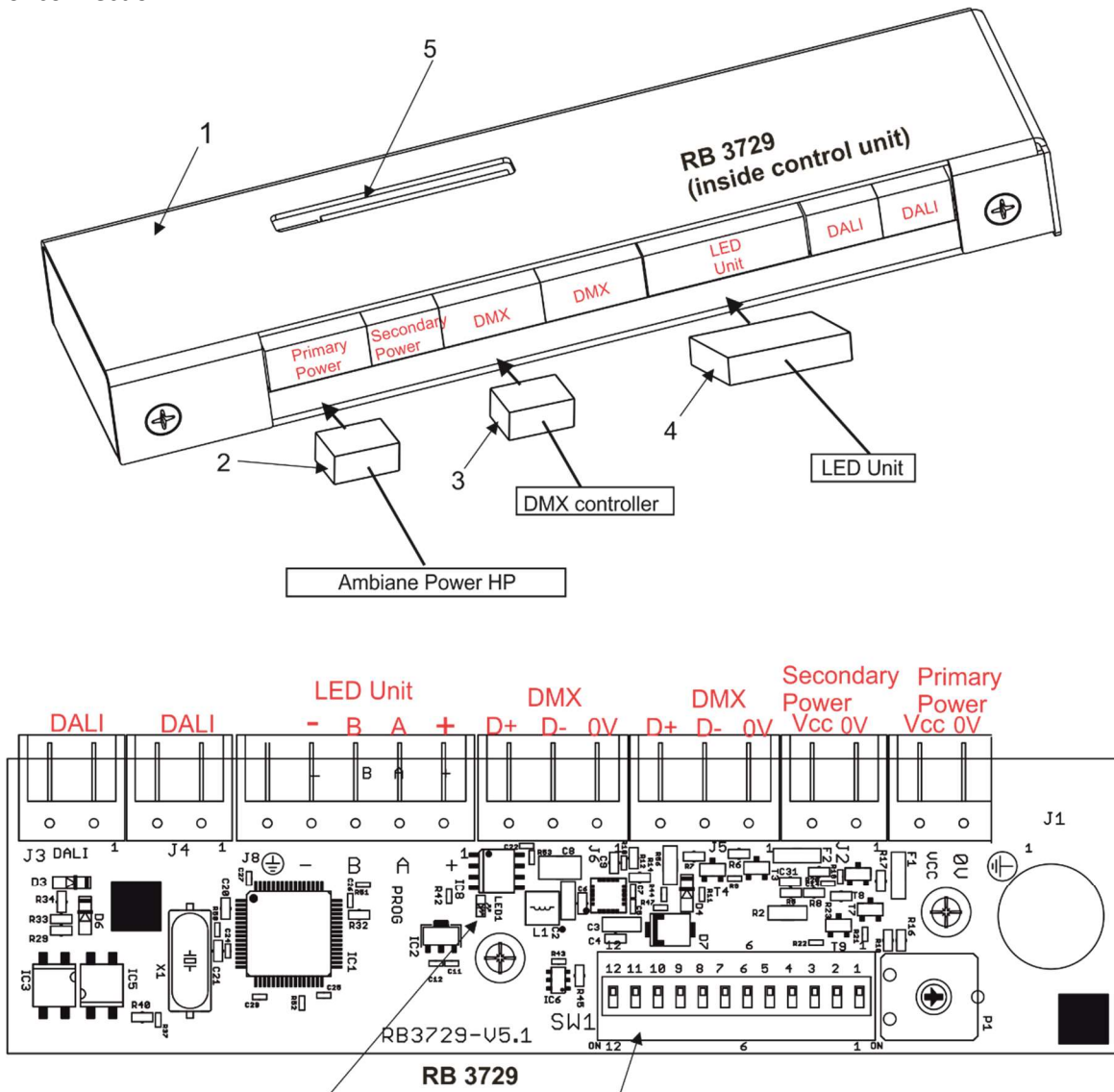
2. Place the control unit (1) above the ceiling through the ceiling opening and fasten it by means of two holes in the housing of the control unit and suitable fasteners.



3. Install the terminal block (2) on the supply cable connect it to the PCB RB 3729 of the control unit (1).
4. Install the terminal block (3) on the DMX cable and connect it to the PCB RB 3729 of the control unit (1).
5. Install the terminal block (4) on the LED unit cable and connect it to the PCB RB 3729 of the control unit (1).
6. Install another terminal blocks on cables according to requirements of current installation.

# Ambiane HP111 Surface Mount

Example of connection:



The green LED on the PCB signals way of DMX address setting:  
 LED lights-DMX address is set by means of the DIP switch.  
 LED does not light- DMX address is set by means of RDM.

## LED unit connection

Connector	+	A	B	-
Function	LEDs +	Data A	Data B	LEDs -
Colour of wire	Red	White	Blue	Black

## Primary power connection

Connector	Vcc	0V
Function	Power +	Power -

## Ambiane HP111 Surface Mount

### Secondary power connection

<b>Connector</b>	<b>Vcc</b>	<b>0V</b>
<b>Function</b>	Power +	Power -

Recommended diameters of conductors with respect to distance between the Control unit and the power supply (e.g. Ambiane Power HP):

<b>Distance/cable length</b>	25 m	50 m	75 m	100 m
<b>Diameters of conductors</b>	0.5 mm <sup>2</sup>	1 mm <sup>2</sup>	1.5 mm <sup>2</sup>	2 mm <sup>2</sup>

### DMX connection

<b>Connector</b>	<b>D+</b>	<b>D-</b>	<b>0V</b>
<b>Function</b>	Data +	Data-	Data ground(shielding)

### 0-10V connection

<b>Connector</b>	<b>D+</b>	<b>0V</b>
<b>Function</b>	+10V	0V

DMX connectors are used for 0-10V control

The primary power input serves for a standard power (e.g. Ambiane Power HP).

The secondary power input serves for a backup power (in case that primary power failed).

If both power inputs are under voltage, the primary power has a priority and the secondary power is disabled. In case of primary power loss, the secondary power is enabled.

If the fixture is supplied via the secondary power, the light output of the fixture is a white colour 3200K (RGBW, TW,TD variants only).

Max. operating time for secondary power is 3 hours (max. power consumption is reduced to 20 W).

7. Set the DIP switch (6) according to your operation mode. This DIP switch is accessible by aperture (5) in the cover of the control unit (1).

The fixture can be controlled by one of the following methods: DMX 512

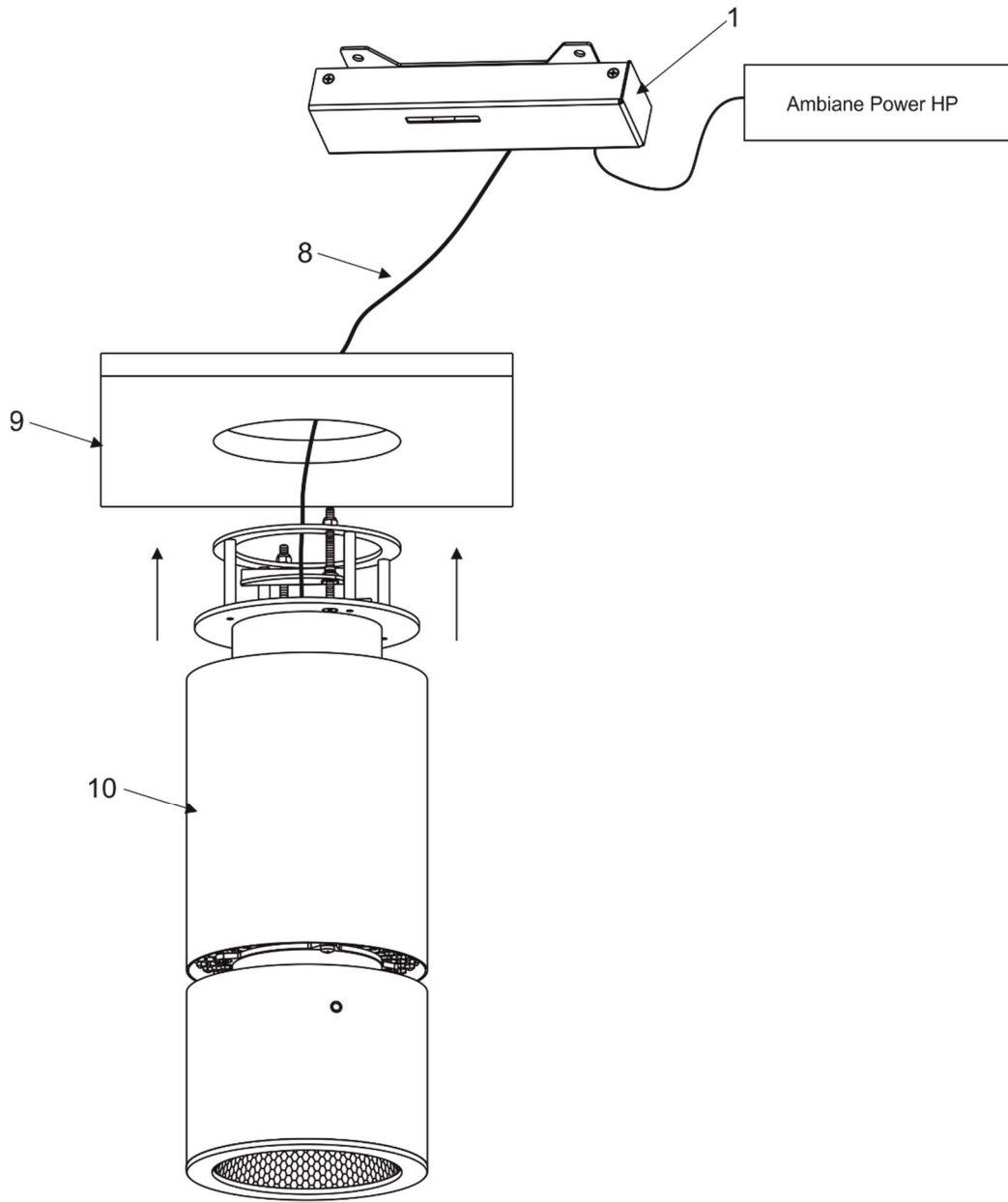
DALI

0-10V (PW or TD version only)

The fixture is equipped with two DMX and DALI connection blocks (on the PCB RB 3729) for easy connection to a DMX or DALI chain (In/Out method).

# Ambiane HP111 Surface Mount

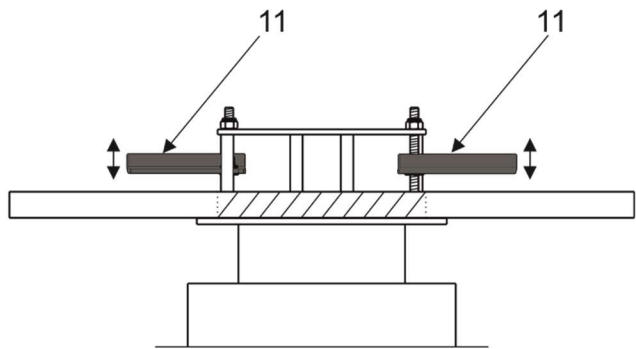
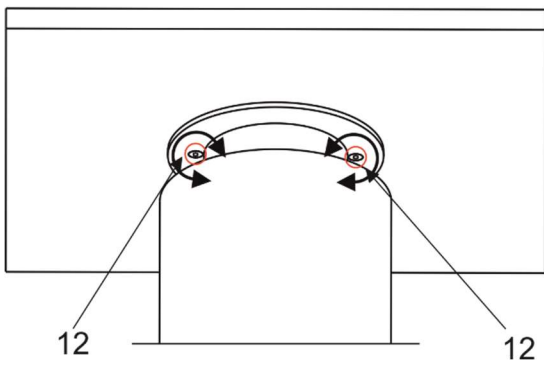
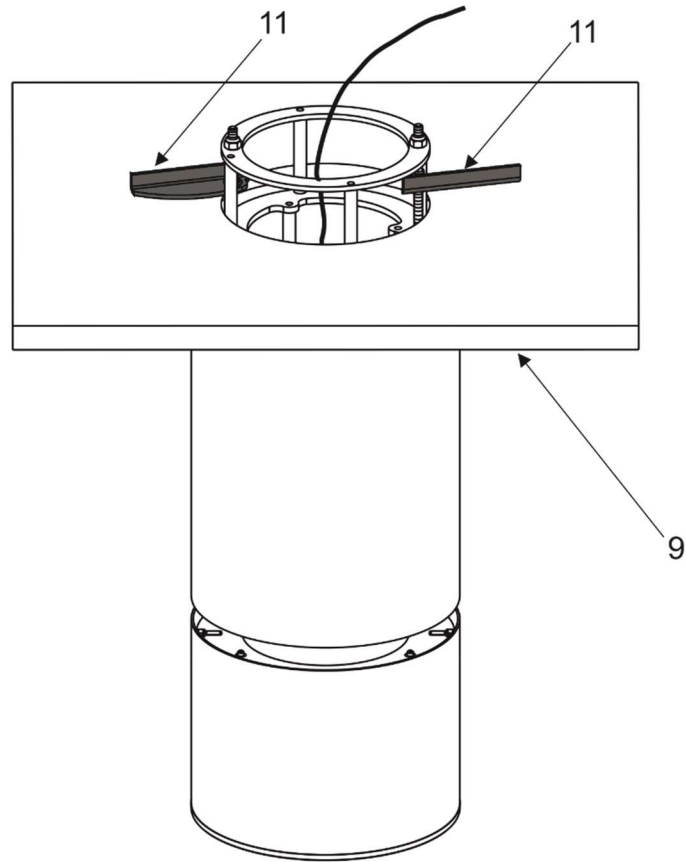
8. Insert the LED unit (10) into the lower ceiling mounting hole (9).





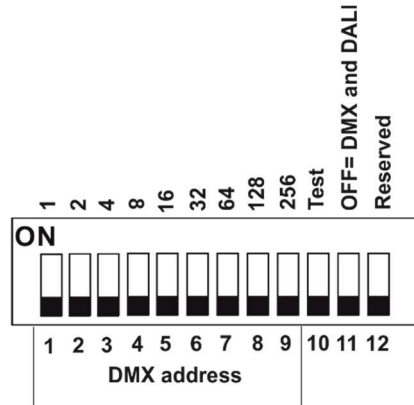
# Ambiane HP111 Surface Mount

9. Spread the holders (11) and tighten them by means of two screws (12), use an Allen key 2.5.



## 4. DMX and DALI address setting and control

The DIP switch on the control PCB (RB3729) allows you to set DMX address and run a test light.



DIP 10 - if it is switched to ON=test light (the fixture lights at 3200K (for RGBW and TW version))

DIP 11 - has to be switched to OFF position to receive DMX 512 and DALI, position ON=0-10V control

Note: If DIP 11=OFF (fixture is controlled by DMX and DALI), the last coming command switches the fixture to the corresponding operation mode (DMX operation by a DMX command, DALI operation by a DALI command). E.g. the fixture stays in a DALI operation and last coming command is a DMX command which switches the fixture to DMX operation. Next command is a DALI command and switches the fixture to the DALI operation etc.

If you need the permanent DALI operation, you have to send a DALI command 8 to the fixture.

### DMX control

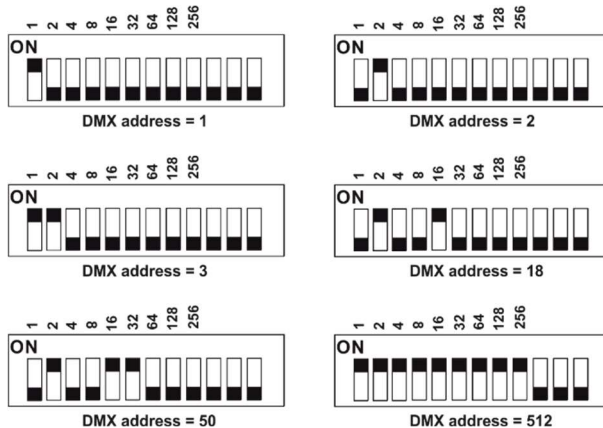
The DMX start address, is the first channel used to receive instructions from the DMX controller. The address may be any channel from 1 to 512. DMX address can be set either by DIP switch or by RDM. DMX address set by RDM overwrites address set by DIP switch and vice versa. The green LED on PCB signals way of DMX address setting:

LED lights-DMX address is set by means of the DIP switch.

LED does not light-DMX address is set by means of RDM.

The DIP 11 has to be set to OFF position.

Example of DMX addresses:



**DALI control**

Addressing of the fixture has to be made by means of an external DALI controller.

If you need to start the permanent DALI control of the fixture (fixture will not respond to DMX commands), the external DALI controller has to send activating command (8=ON).

If you need to stop the permanent DALI control of the fixture, the external DALI controller has to send deactivating command (0=OFF).

**5. 0-10V control**

DIP 11 has to be set in ON position. 0-10V operation has priority to DALI and DMX commands. The option is applicable for the PW and TD version of the Ambiane HP111 Surface mount only.

## 6. RDM

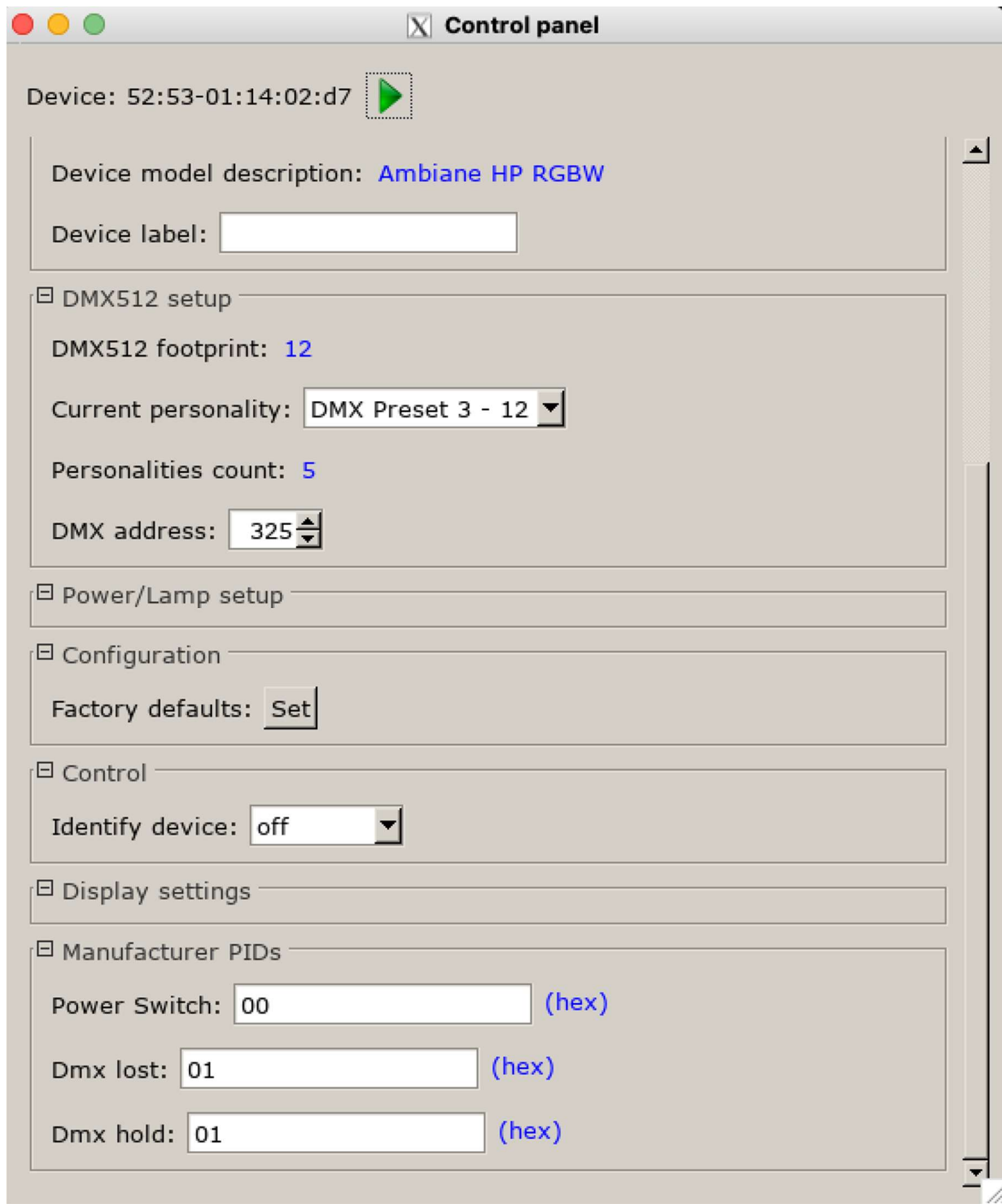
This fixture supports RDM operation. RDM (Remote Device Management) is a bi-directional communication protocol for use in DM X512 control systems, it is the new open standard for DMX512 device configuration and status monitoring.

RDM allows you to set a DMX address, select DMX mode, readout software version of the fixture etc. It is also used for fixture software update by means of the Robe Uploader.

RDM model ID for the Ambiane HP111 Surface mount is: 0x0114.

Parameter ID	Discovery command	SET command	GET command
DISC_UNIQUE_BRANCH	*		
DISC_MUTE	*		
DISC_UN_MUTE	*		
DEVICE_INFO			*
SUPPORTED_PARAMETERS			*
SOFTWARE_VERSION_LABEL			*
DMX_START_ADDRESS		*	*
IDENTIFY_DEVICE		*	*
DEVICE_MODEL_DESCRIPTION			*
MANUFACTURER_LABEL			*
DEVICE_LABEL		*	*
DMX_PERSONALITY		*	*
DMX_PERSONALITY_DESCRIPTION			*
SENSOR_VALUE		*	*
SENSOR_DEFINITION			*
SLOT_INFO			*
SLOT_DESCRIPTION			*
DEFAULT_SLOT_VALUE			*
PARAMETER_DESCRIPTION			*

## 4.1 Example of Control panel in RDM manager



Manufacturer PIDs:

**DMX hold [00]**- last received DMX values are held in case of DMX signal lost.

**DMX hold [01]**- option "DMX lost" is activated and influences behaviour of the fixture at DMX signal lost. Default value is [00].

**DMX lost [00]**- the fixture lights on full power (dimmer open) at DMX signal lost.

**DMX lost [01]**- the fixture close light output at DMX signal lost. Default value is [00].

## Ambiane HP111 Surface Mount

**Power Switch [00]**- the fixture uses primary power.

**Power Switch [01]**- the fixture uses secondary power.

Default value is [00].

## 7. DMX protocols

Variant RGBW, version 1.1

Mode 1 Channel	Mode 2 Channel	Mode 3 Channel	Mode 4 Channel	Mode 5 Channel	DMX value	Function	Type of control
1	1	1	-	1	0-255	<b>Red</b> Red LEDs saturation control (0-->100%)	proportional
-	-	2	-	-	0-255	<b>Red Fine</b> Red LEDs saturation control (0-->100%)	proportional
2	2	3	-	2	0-255	<b>Green</b> Green LEDs saturation control (0-100%)	proportional
-	-	4	-	-	0-255	<b>Green Fine</b> Green LEDs saturation control (0-->100%)	proportional
3	3	5	-	3	0-255	<b>Blue</b> Blue LEDs saturation control (0 -->100%)	proportional
-	-	6	-	-	0-255	<b>Blue Fine</b> Blue LEDs saturation control (0-->100%)	proportional
4	-	7	-	4	0-255	<b>White</b> White LEDs saturation control (0-->100%)	proportional
-	-	8	-	-	0-255	<b>White Fine</b> White LEDs saturation control (0-->100%)	proportional
-	-	9	1		0 1-127 128 129- 255	<b>Green correction</b> Uncorrected white Minus green --> uncorrected white Uncorrected white (128=default) Uncorrected white --> Plus green	step proportional step proportional
-	-	10	2		0 1-10 11-20 21-255	<b>Colour temperature correction (CTC)</b> No function (0=default) Tungsten dimming 2700 K Tungsten dimming 3200 K Colour temperature changing 2700 K--> 6500 K	step step step proportional
-	-	11	3	5	0-255	<b>Dimmer</b> Light intensity coarse (0-->100%)	proportional
-	-	12	-	6	0-255	<b>Dimmer Fine</b> Light intensity fine (0-->100%).	proportional

DMX mode has to be set by RDM.

Ambiane HP111 Surface Mount

Variant TW, version 1.2

Mode 1 Channel	Mode 2 Channel	Mode 3 Channel	Mode 4 Channel	DMX value	Function	Type of control
1	-	1	-	0-255	<b>White colour selection</b> White from 2700K-->4000K	proportional
-	1	-	1	0-255	<b>Warm White</b> Warm white LEDs saturation control (0-->100%)	proportional
-	2	-	2	0-255	<b>Cool White</b> Cool white LEDs saturation control (0-->100%)	proportional
2	3	2	3	0-255	<b>Dimmer</b> Light intensity (0-->100%)	proportional
-	-	3	4	0-255	<b>Dimmer Fine</b> Light intensity fine (min-->max)	proportional

Variant TD, PW version 1.1

Mode 1 Channel	Mode 2 Channel	DMX value	Function	Type of control
1	1	0-255	<b>Dimmer</b> Light intensity coarse (0-->100%)	proportional
-	2	0-255	<b>Dimmer Fine</b> Light intensity (0-->100%)	proportional

## 8. Technical specifications

Nominal input voltage:	48V DC
Input voltage range:	44-50V DC
Max. power consumption (primary power):	75W
Max. power consumption (secondary power):	20W
Max. operating time for secondary power:	3 hours
Light source:	High Power LED module
Beam angle:	20°, 40°, 60°, 80°
Projected Lumen Maintenance:	L90B10 >90.000 hrs, Ta = 25°C / 77°F °F)
Colour Variants:	RGBW (W - 2700K or 4000K), PureWhite, Tunable White, Tungsten Dim
Colour Temperature of White:	PW 2700 K or 4000K, TW 2700 - 4000K, TD 3200K
CRI:	90+
Control:	DMX, DALI 2 , RDM, 0-10V
Settings/Addressing:	DIP Switch, RDM
DMX channels (RGBW variant):	4 (Mode 1), 3 (Mode 2), 12 (Mode 3), 3 (Mode 4), 6 (Mode 5)
DMX channels (TW variant):	2 (Mode 1), 3 (Mode 2), 3 (Mode 3), 4 (Mode 4)
DMX channels (TD, PW variant):	2 (Mode 1), 2 (Mode 2)
Power supply (CE):	Ambiane Power HP (48V/100W), Ambiane Power Rack
Power supply (US):	Ambiane Power HP (48V/100W), Ambiane Power Rack US
Operating ambient temp. range:	-20 °C / +40 °C (-4 °F / +104 °F)
Operating Temperature (LED unit):	+75 °C @ Ambient +40 °C (167 °F @ Ambient 104 °F)
Total heat dissipation:	191 BTU/h (calculated)
Cooling:	convection
Housing:	High Pressure Die-Cast Aluminium Body
Weight (without control unit) :	
Ambiane HP111 Surface mount 20°	2.6 kg/ 5.7 lbs
Ambiane HP111 Surface mount 40°	3.1 kg/ 6.8 lbs
Ambiane HP111 Surface mount 60°	2.5 kg/ 5.5 lbs
Ambiane HP111 Surface mount 80°	2.5 kg/ 5.5 lbs
Mounting Method:	Via mounting adaptor
IC rating:	Non-IC rated
Power connection	Connectors
DMX connection:	Connectors
DALI connection:	Connectors
LED unit connection:	Connector
Protection factor (CE):	IP20
Protection factor (US):	Dry location only



# Ambiane HP111 Surface Mount

## Dimensions

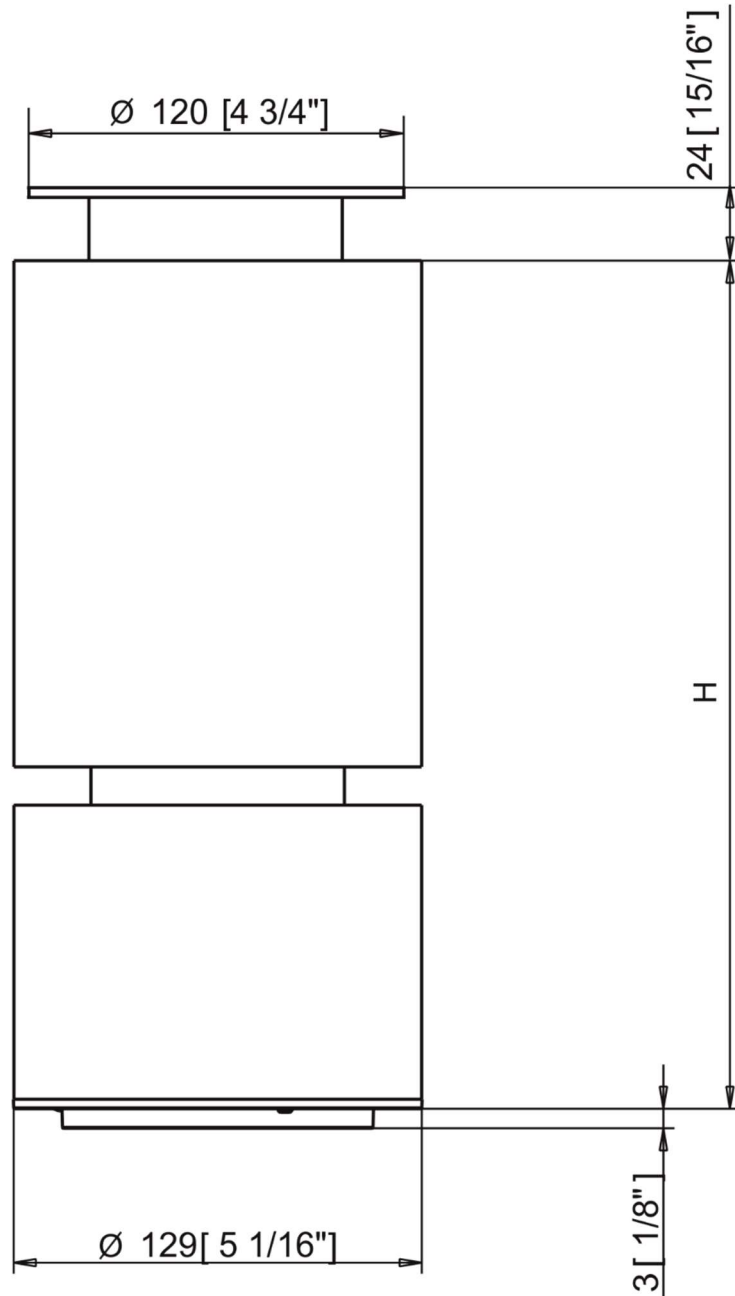
mm [inch]

Ambiane HP 20° H = 302 mm [11 7/8 in.]

Ambiane HP 40° H = 298 mm [11 3/4 in.]

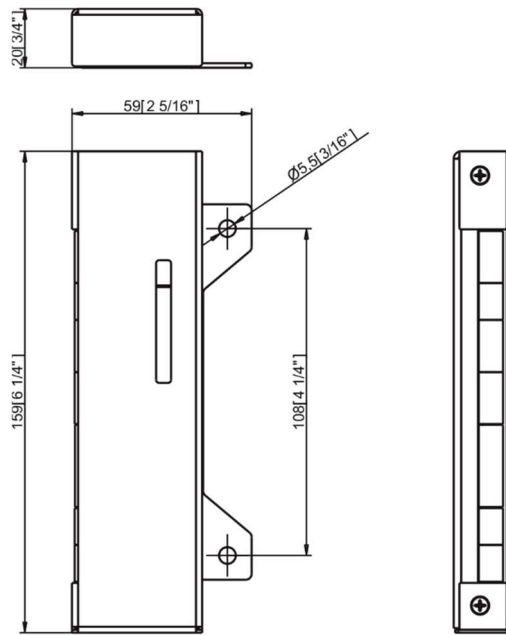
Ambiane HP 60° H = 285 mm [11 1/4 in.]

Ambiane HP 80° H = 271 mm [10 11/16 in.]



## Ambiane HP111 Surface Mount

### Control unit



### Included items

- 1 x Ambiane HP111 Surface mount
- 1 x Control unit
- 1 x Set of cable connectors
- 1 x User manual

### Optional accessories

- Ambiane Power HP (MeanWell ELG-100-48-3Y) (P/N 10064073)
- Ambiane Power Rack (P/N 10063951), black colour
- Ambiane Power Rack US (P/N 10063873), black colour

## 9. Cleaning and maintenance

***Disconnect from the mains before starting any maintenance work***

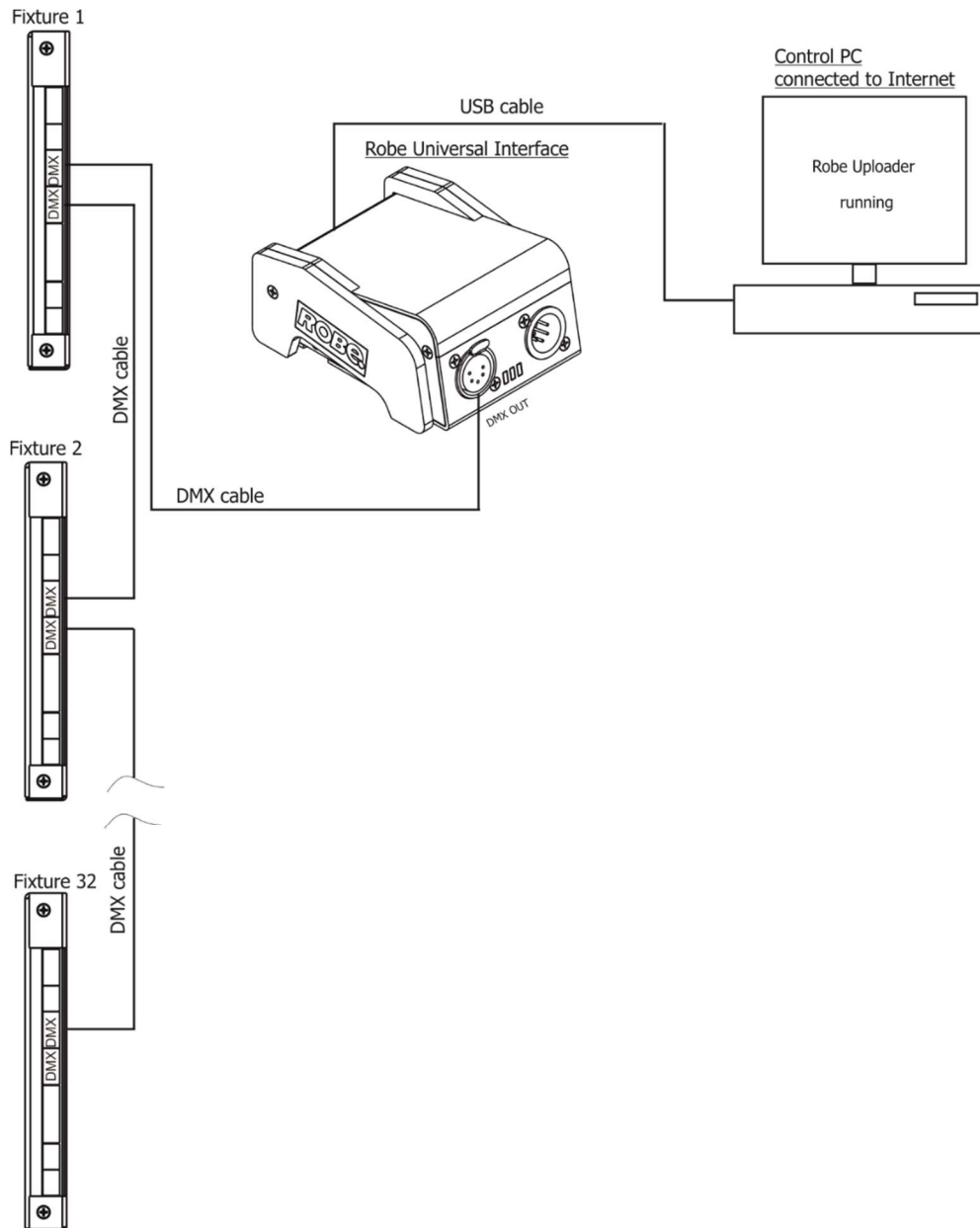
Keep the fixture clean, especially light source and the ribbed ribbed heat sink.  
Maintenance and service operations are only to be carried out by a qualified person.  
Should you need any spare parts, please use ROBE OEM parts.

## 9.1 Software update

The fixture has to be connected to power during software update.

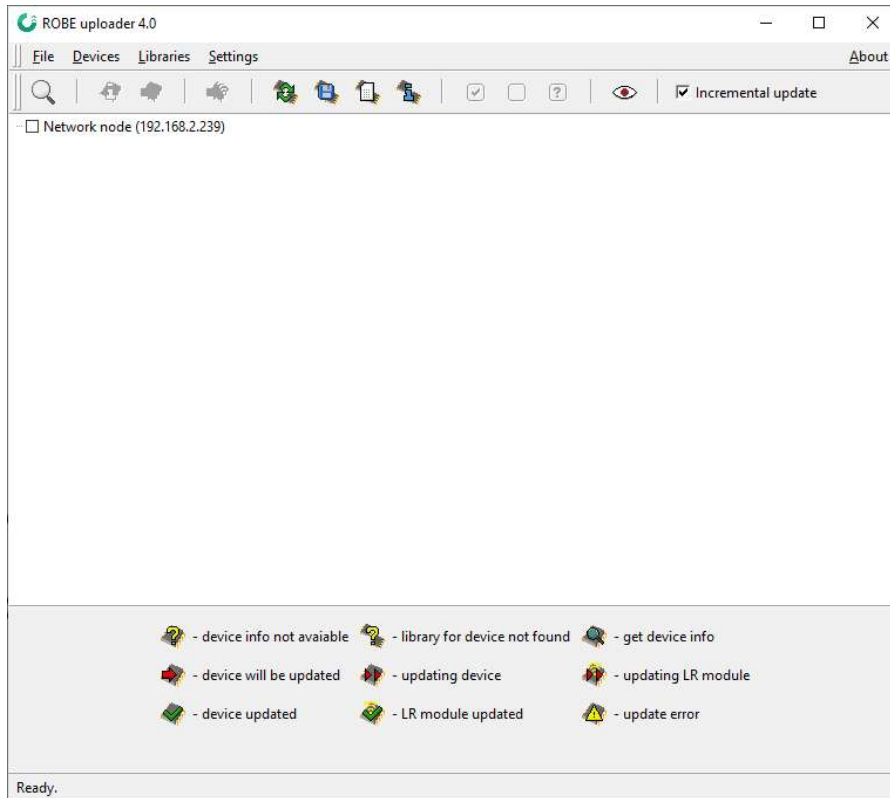
### Software update by means of the Robe Uploader

The ROBE Uploader is a software for automatized software update of Robe and Anolis fixtures. It can take advantage of RDM support.



The fixtures have to be connected in a daisy-chain (max. 32 fixtures) and via the Robe Universal Interface/Robe Universal Interface WTX and a USB cable connected to the control PC with the Robe Uploader running. The fixtures have to be connected to power. The control PC should be connected to the Internet.

## Ambiane HP111 Surface Mount



The Robe Uploader software and user manual is available at <https://www.robe.cz/robe-uploader/>

If you do the software update by means of the Robe Uploader, switching fixtures to the update mode (and from the update mode) is made automatically.

Note: The Robe Uploader software cannot be used if fixtures are connected by means of DALI connection.

## 9.2 Disposing of the product

To preserve the environment please dispose or recycle this product at the end of its life according to the local regulations and codes.

February 16, 2024

Copyright © 2022-2024 Robe Lighting - All rights reserved

All Specifications subject to change without notice

Made in CZECH REPUBLIC by ROBE LIGHTING s.r.o. Palackeho 416/20 CZ 75701 Valasske Mezirici