

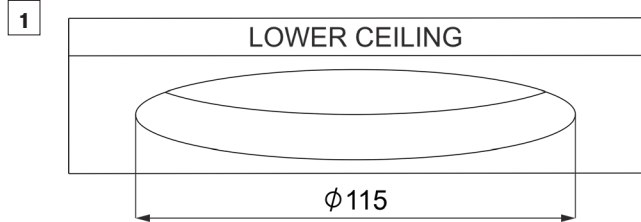
QR code for Installations Instructions



The unit must be installed by a qualified electrician in accordance with all national and local electrical and construction codes and regulations.

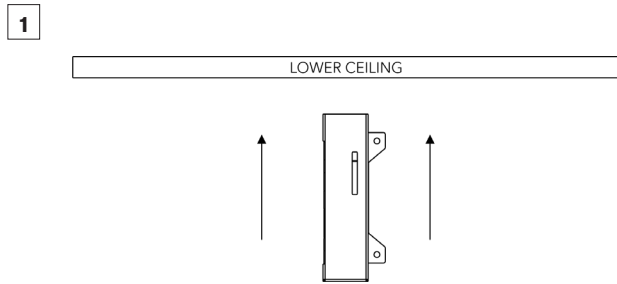


**STEP 1
 CEILING OPENING**

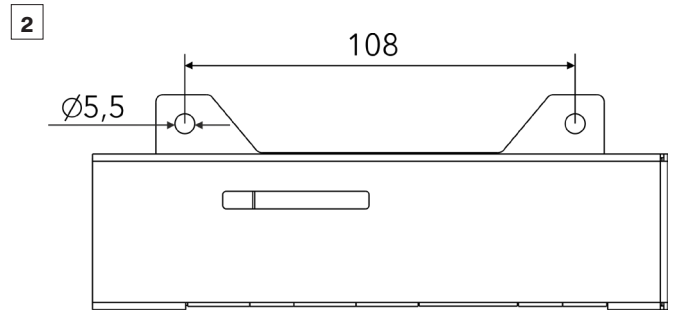


Prepare mounting hole with diameter of 115mm.

**STEP 2
 CONTROL UNIT MOUNTING**

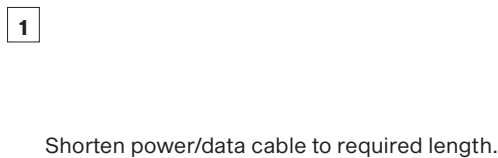


Place control unit above the ceiling.

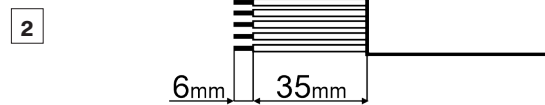


Mount the control unit to ceiling via two mounting holes and suitable fasteners.

**STEP 3
 PREPARE CONNECTION**



Shorten power/data cable to required length.

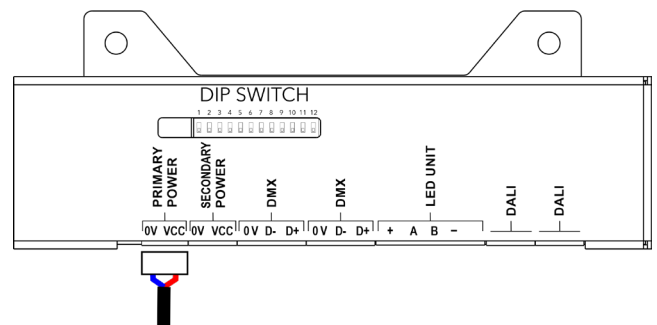


Strip these lengths of cable for wiring connection.

**STEP 4
 PRIMARY POWER CONNECTION**

| PRIMARY POWER CONNECTION | | |
|--------------------------|---------|---------|
| TERMINAL BLOCK | 0V | VCC |
| Colour of Wire | Power - | Power + |

Install terminal block to power cable (from Ambiance Power Rack or Ambiance Power AP) and connect it to Primary power socket of the control unit.



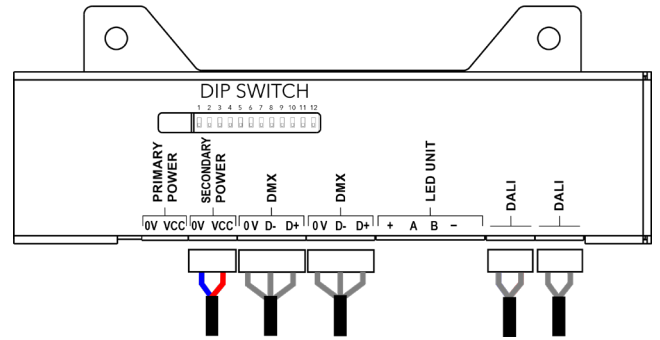
**STEP 5
 DATA (DMX OR DALI) AND SECONDARY POWER
 CABLES CONNECTION**

SECONDARY POWER CONNECTION

| TERMINAL BLOCK | 0V | VCC |
|----------------|---------|---------|
| Colour of Wire | Power - | Power + |

DMX CONNECTION

| TERMINAL BLOCK | 0V | D- | D+ |
|----------------|-------------|--------|--------|
| Function | Data Ground | Data - | Data + |

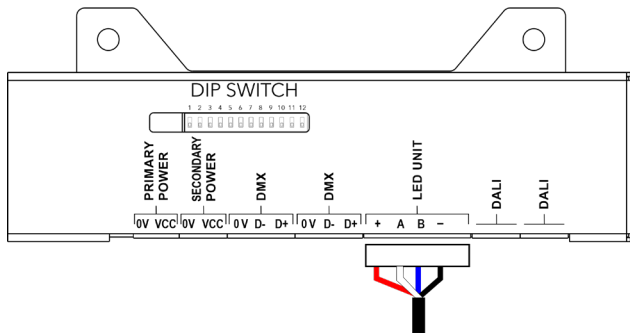


Install terminal blocks on SECONDARY POWER and DATA cables and connect them to the control unit. Set the DIP switches to positions according to your operation mode. The fixture can be controlled by DMX or DALI (switch 11 in OFF position).

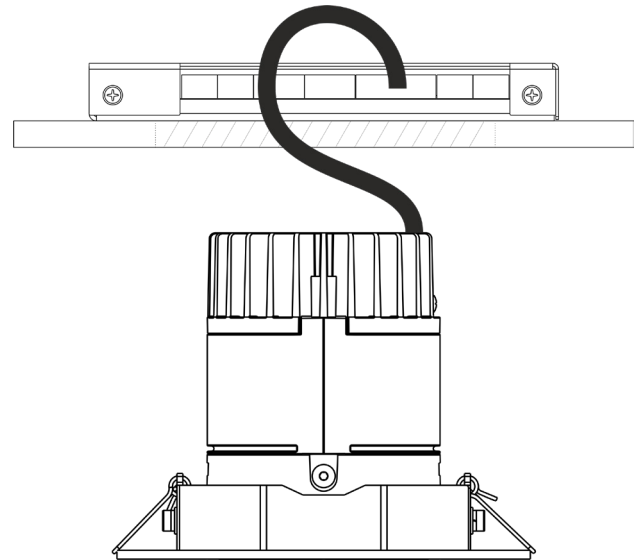
**STEP 6
 LED UNIT CONNECTION**

LED Unit Connection

| TERMINAL BLOCK | + | A | B | - |
|----------------|-----|-------|------|-------|
| Colour of Wire | Red | White | Blue | Black |

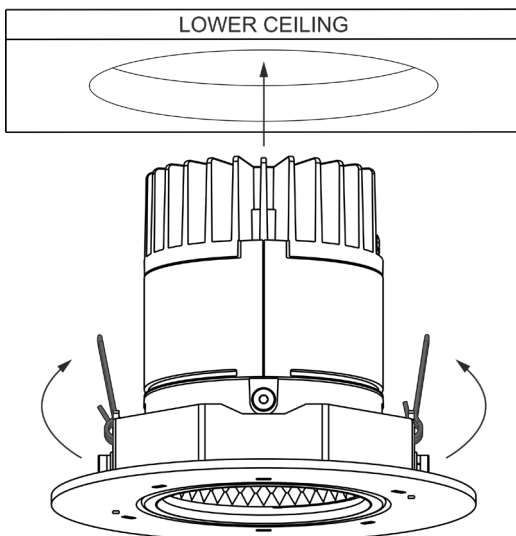


Pull the cable through the hole. Install terminal block on LED unit's cable and connect it to the control unit.



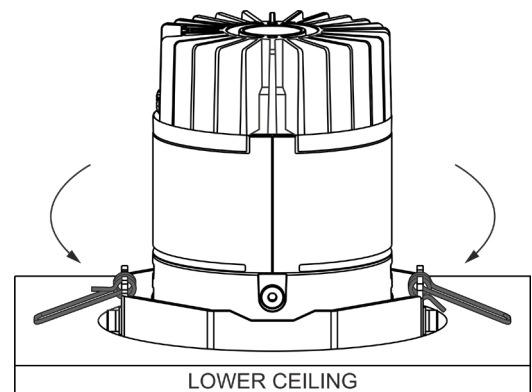
**STEP 7
 AMBIANE MOUNTING**

1



Lift up spring clips on both sides. Insert luminaire into ceiling opening.

2



Release spring clips to hold luminaire in place.