

EMINERE® CABLE & CONNECTORS

LEADER CABLE

- for connecting E-box with first Eminere. Order together with Waterproof End Cap which has to be installed to the last Eminere's output connector.



Cable CE Leader - LED Output

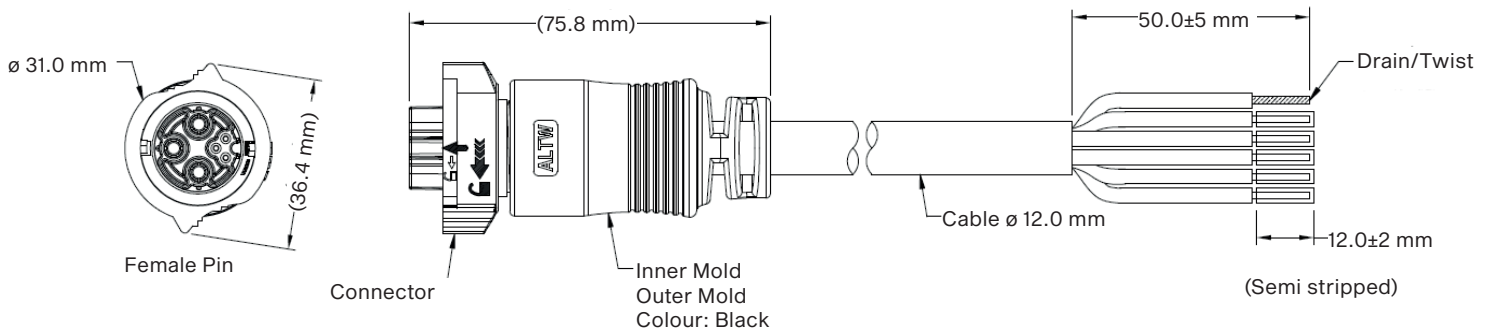
WIRE	POWER CONNECTION	WIRE	DATA CONNECTION
Brown	L	Orange	Data - (D-)
Blue	N	Purple	Data + (D+)
Green	Ground	Shielding	Data Ground (0V)



Cable US Leader - LED Output

WIRE	POWER CONNECTION	WIRE	DATA CONNECTION
Black	L	Orange	Data - (D-)
White	N	Red	Data + (D+)
Green	Ground	Shielding	Data Ground (0V)

DIMENSION



SPECIFICATION

FEATURES	Length	Standard	2m 5m 10m 25m 50m	
		On Request	Other lengths	
	Outer diameter	ø 12.0mm		
Colour	Cable & Connector	Black		
Cable Type	CE: 2m (13053438), 5m (13053440), 10m (13053436), 25m (13053437), 50m (13053439) US: 2m (13053433), 5m (13053435), 10m (13053431), 25m (13053432), 50m (13053434)			
ELECTRICAL & CONTROL	Conductors		CE	US
		Power conductors	3x 2 mm ²	3x 14AWG
	Data conductors	2x 0.2 mm ²	3x 24AWG	
Fixture Voltage	120 - 277 V			
Operating Temperature	-40 °C / +105 °C (-40 °F / +221 °F)			
RATINGS & CERTIFICATIONS	IP Rating	IP67 unmated		
	Certifications	ETL / cETL, CE, RoHS, UKCA		

JUMPER CABLE

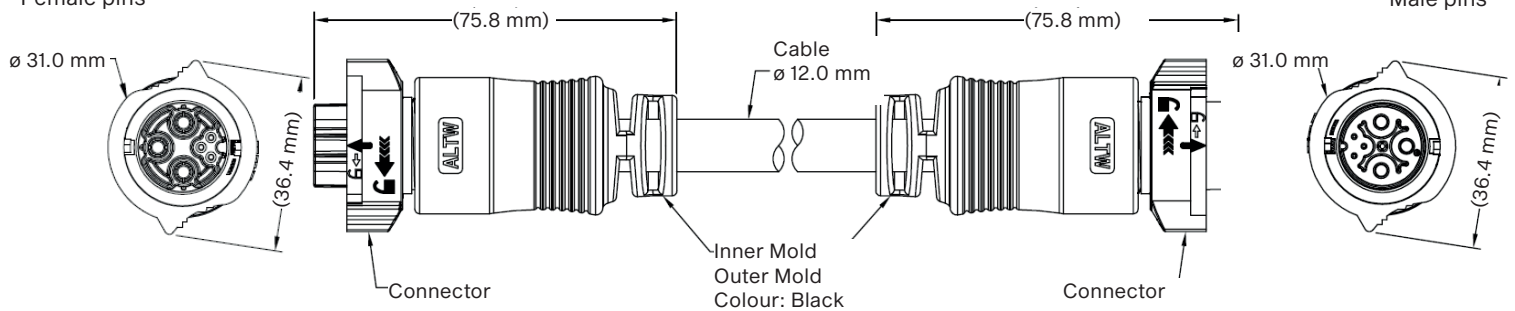
- for connection between two Emineres.



DIMENSION

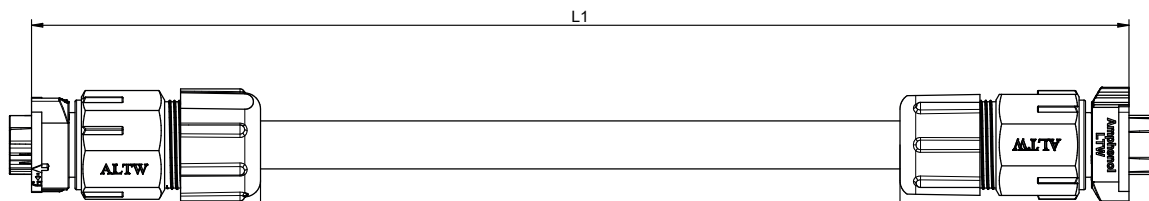
Female connector
Female pins

Female connector
Male pins



CUSTOM LENGTH

- Custom length of Jumper cable depends on the distance between two Eminere luminaires (length includes cable and connectors).



SPECIFICATION

FEATURES	Length	Standard	0,25m (13053422), 0,5m (13053423), 1m (13053425), 2m (13053427), 3m (13053428), 5m (13053430), 10m (13053424)
		On Request	Other lengths
	Outer diameter	ø 12.0 mm	
	Colour	Cable & Connector	Black
PHYSICAL	Fixture Voltage	120 - 277 V	
	Operating Temperature	-40 °C / +105 °C (-40 °F / +221 °F)	
RATINGS & CERTIFICATIONS	IP Rating	IP67 unmated	
	Certifications	ETL / cETL, CE, RoHS, UKCA	

FIELD INSTALLABLE CONNECTOR

- for special cases, where Jumper Cable can't be used. Then use Leader Cable with Field installable connector to make a connection between Emineres. According the diameter of cable choose the right size of seal which should fit tightly to cable jacket (two sizes of Seal included).

Female connector
 Female pins

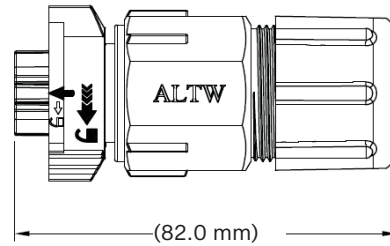
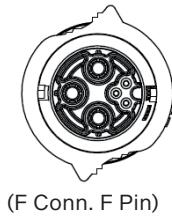


Female connector
 Male pins

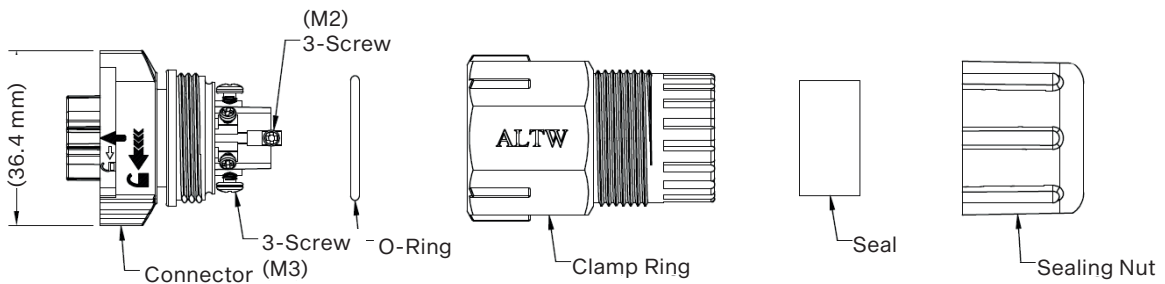
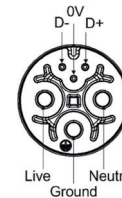
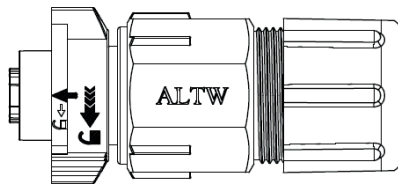


DIMENSION

Female connector
 Female pins



Female connector
 Male pins



SPECIFICATION

FEATURES	Colour	Black	
	Connector type	FF (13053003) FM (13053004)	
	Seal	ø 8.0 -10.0mm	ø 10.0 -14.5mm
	Operating Temperature	-40 °C / +105 °C (-40 °F / +221 °F)	
RATINGS & CERTIFICATIONS	IP Rating	IP67 mated	
	Certifications	ETL / cETL, CE, RoHS, UKCA	

CABLE CE / US



Cable CE Leader - LED Output

WIRE	POWER CONNECTION	WIRE	DATA CONNECTION
Brown	L	Orange	Data - (D-)
Blue	N	Purple	Data + (D+)
Green	Ground	Shielding	Data Ground (0V)

Cable US Leader - LED Output

WIRE	POWER CONNECTION	WIRE	DATA CONNECTION
Black	L	Orange	Data - (D-)
White	N	Red	Data + (D+)
Green	Ground	Shielding	Data Ground (0V)

SPECIFICATION

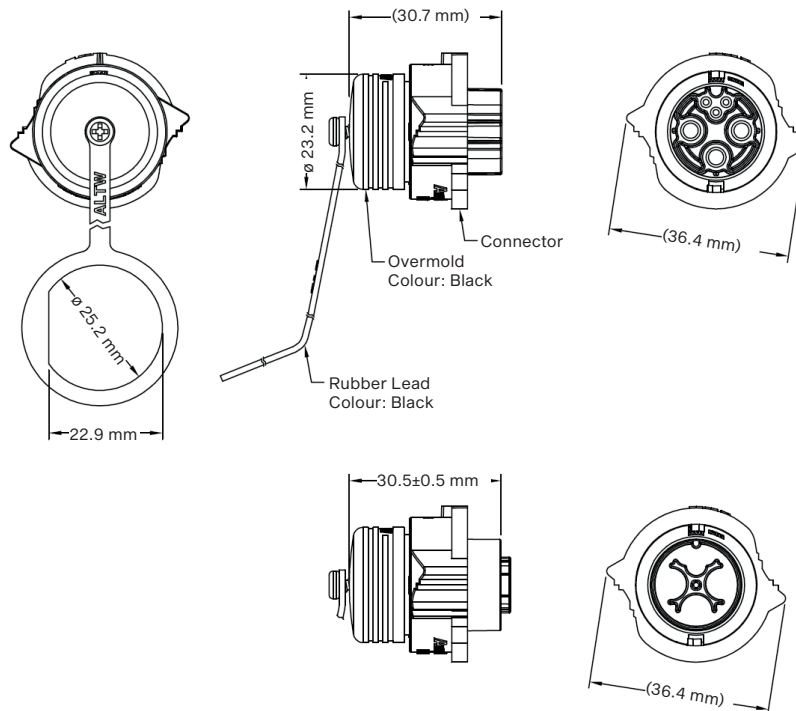
FEATURES	Length	On Request		
	Outer diameter	ø 12.0 mm		
	Colour	Black		
ELECTRICAL & CONTROL	Cable Type	CE US		
	Conductors		CE	US
		Power conductors	3x 2 mm ²	3x 14AWG
	Data conductors	2x 0.2 mm ²	3x 24AWG	
	Fixture Voltage	120 - 277 V		
Operating Temperature	-40 °C / +105 °C (-40 °F / +221 °F)			
RATINGS & CERTIFICATIONS	IP Rating	IP67 unmated		
	Certifications	ETL / cETL, CE, RoHS, UKCA		

WATERPROOF END CAP

- Install at the end of line to the last Emineres output connector.



DIMENSION




SPECIFICATION


FEATURES	Colour	Black
	Ordering Number	17031173
	Operating Temperature	-40 °C / +105 °C (-40 °F / +221 °F)
RATINGS & CERTIFICATIONS	IP Rating	IP67 mated
	Certifications	ETL / cETL, CE, RoHS, UKCA

EMINERE™ REMOTE CABLE

- for connecting E-box Remote or Remote basic with Eminere Remote and Remote UV luminaires.



CE VERSION	CONNECTOR	Vcc	D+	D-	0V	
	Function	LEDs +	Data +	Data -	LEDs -	Ground
	Colour of wire	Red	Orange	Black	White	Not connected

US VERSION	CONNECTOR	Vcc	D+	D-	0V	
	Function	LEDs +	Data +	Data -	LEDs -	Ground
	Colour of wire	Red	Orange	Black	White	Green

SPECIFICATION

FEATURES	Length	On Request
	Outer diameter	∅ 11.5±0.25 mm
	Colour	Black
ELECTRICAL & CONTROL	Cable Type	CE US
	Conductors	5 x 14 AWG
	Fixture Voltage	120 - 277 V
	Operating Temperature	-40 °C / +105 °C (-40 °F / +221 °F)
CERTIFICATIONS	Certifications	ETL / cETL, CE, RoHS, UKCA