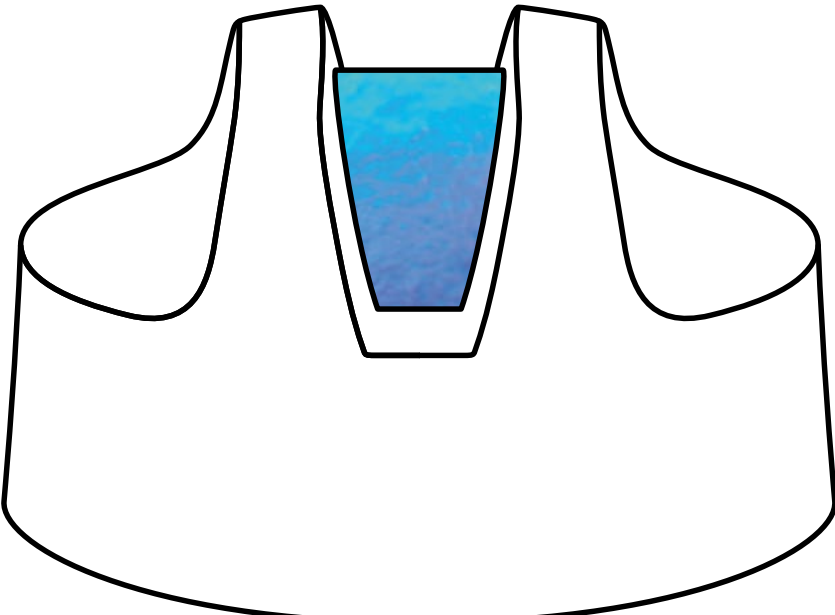


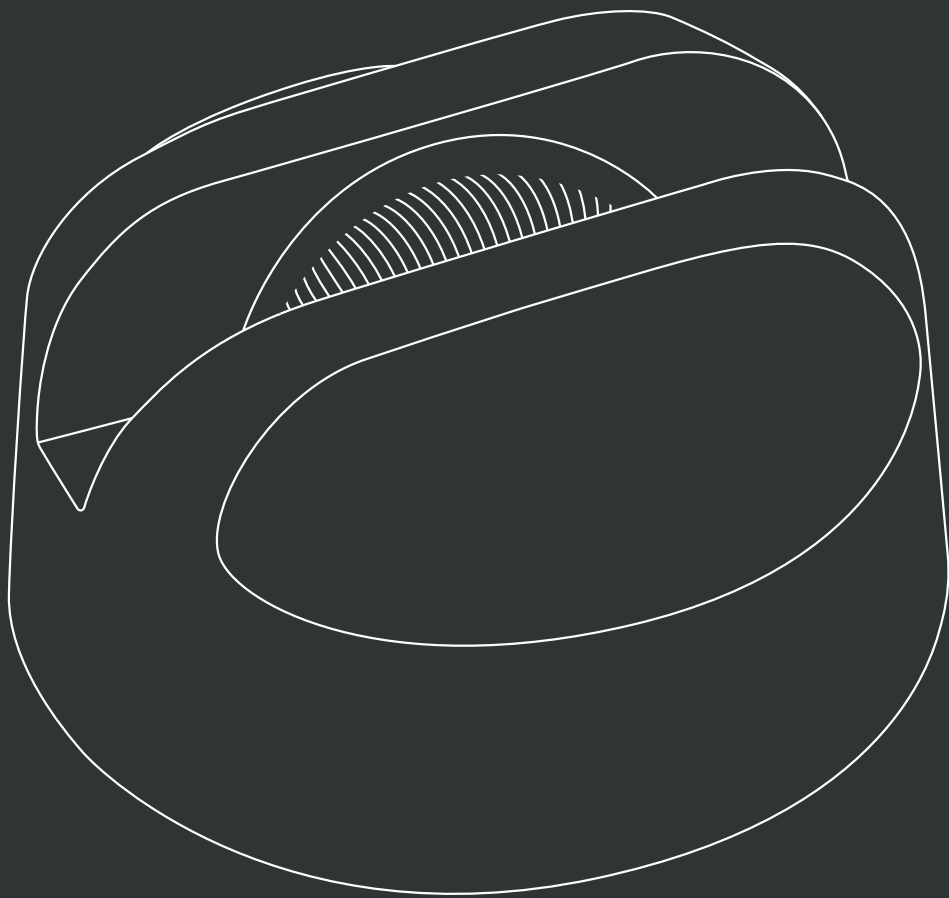
Agame™
series



Anolis 
A ROBE Business

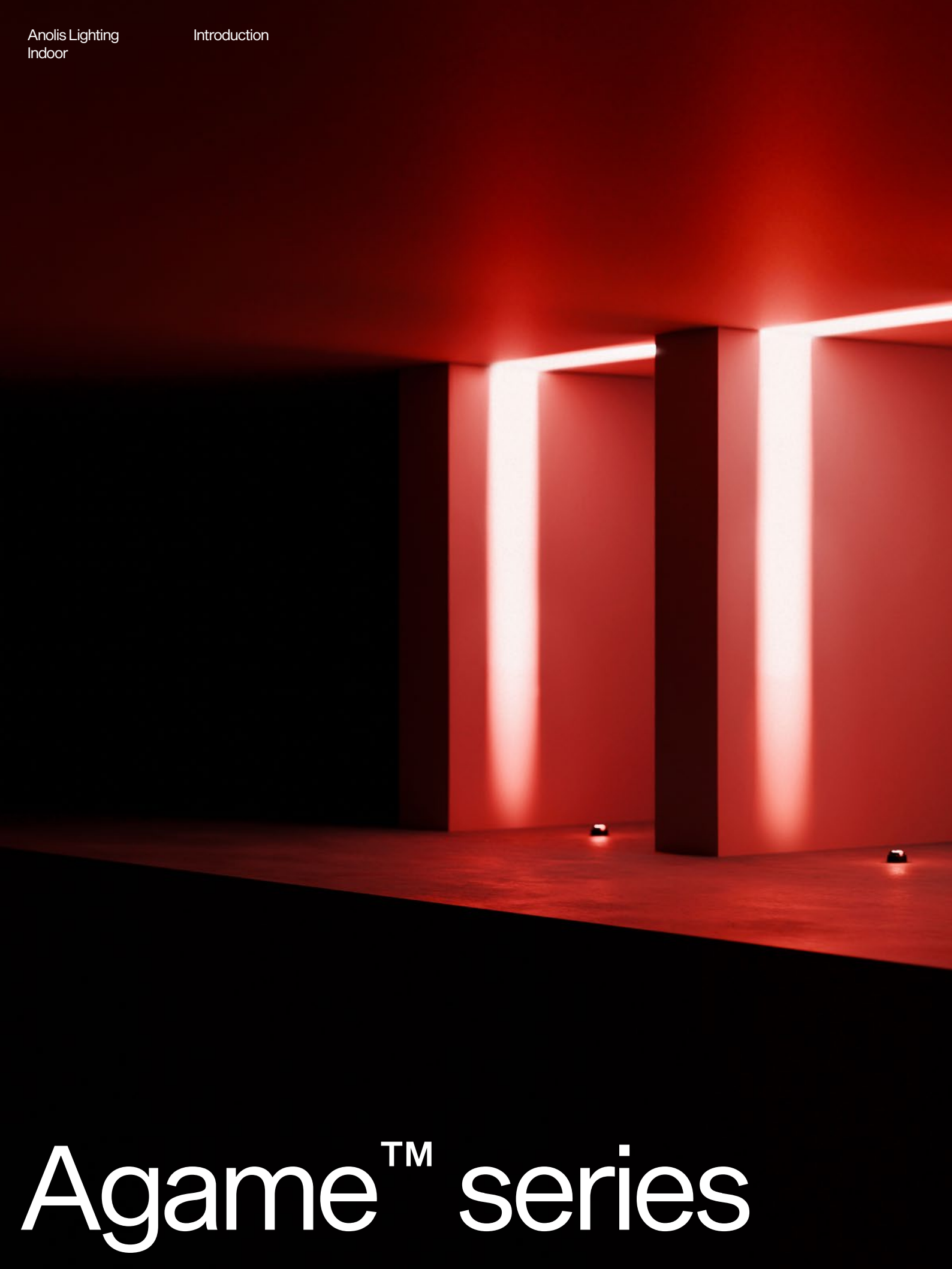
Agame™ series by Anolis®

Anolis designs and manufactures the highest quality LED architectural lighting. All products are designed in our state-of-the-art R&D facility by industry experts. Our fixtures are extensively tested to ensure they perform perfectly in the environment for which they were designed. Utilisation of the latest LED technology ensures low power consumption and long lumen maintenance intervals.



Content

About	6
Design	10
Selections	14
Optical Design	16
Application Flexibility	20
Mounting Options	24
Products	28



Agame™ series



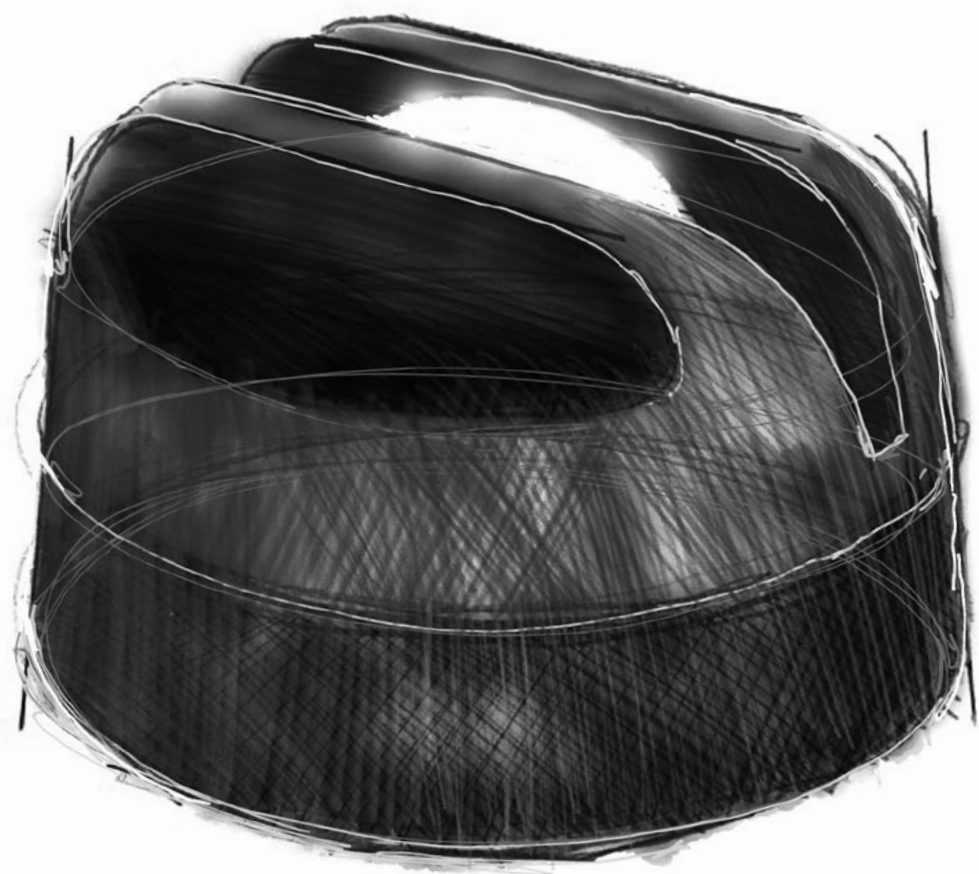


Introducing Agame

Introducing the Agame series, a game-changing lighting system that redefines the possibilities of architectural lighting design. Elevate the design of architectural façades and enhance the aesthetic appeal of windows and arches with this multifunctional lighting solution. Discover the unique combination of features that make the Agame a revolutionary product in the world of lighting technology. Transform your architectural lighting design with the Agame series.

Design

The Agame is designed to deliver IP67 protection and a high IK rating, ensuring durability and resilience in various conditions. Its sleek, compact form factor is crafted to fit seamlessly onto window frames without appearing bulky, while its 180° light output capability allows for comprehensive illumination of entire window frames and arches.



wider wider wider wider wider wider wider wider wider
wider wider wider wider wider wider wider wider wider
wider wider wider wider wider wider wider wider wider



wider wider wider wider wider wider wider wider wider
wider wider wider wider wider wider wider wider wider
wider wider wider wider wider wider wider wider wider

Selections

Product Variant



RGBW



RGBA

Finish Options



Graphite
Black



Silver



RAL

Custom
Paint
Colour



Harsh
Environment

Optic Options



Beam Width:
6° | 10° | 20°

Control & Protocols



Optional

Standards and Certifications



IP67



IK10



CE



ETL



**UK
CA**

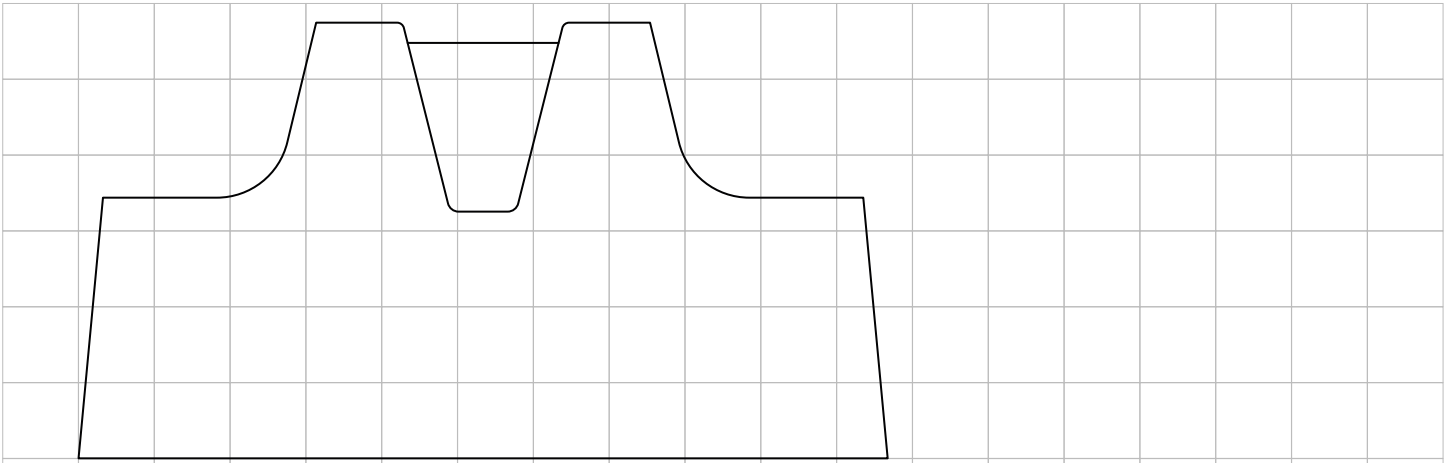


ROHS



**5
YEAR**

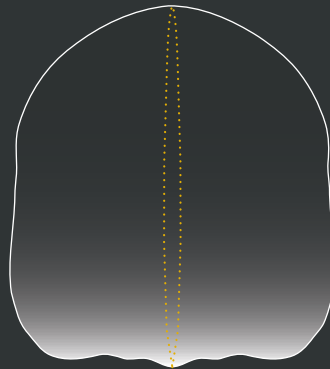
5 Year
Warranty
(Registered)



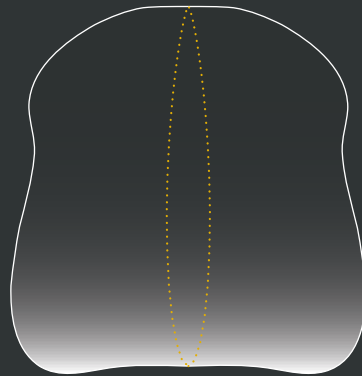
Agame™ | Ø107×58 mm

Optical Performance

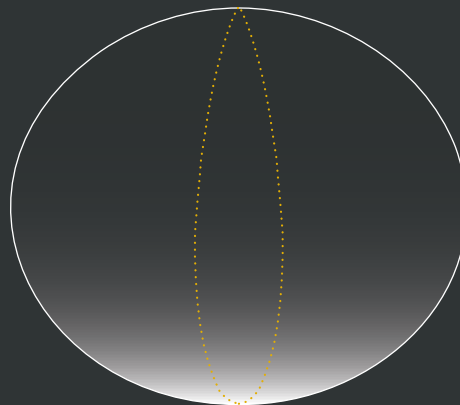
One of the standout features of the Agame luminaire is its diverse range of optical configurations. This 180° beam luminaire, designed with soft edges, offers customizable beam angles through specially crafted optical foils, delivering everything from sharp, narrow beams to wide, diffused lighting. The high-power LEDs are engineered for exceptional quality, ensuring a uniform light output with a lifespan exceeding 90,000 hours.



6°
117 lm



10°
108 lm



20°
105 lm

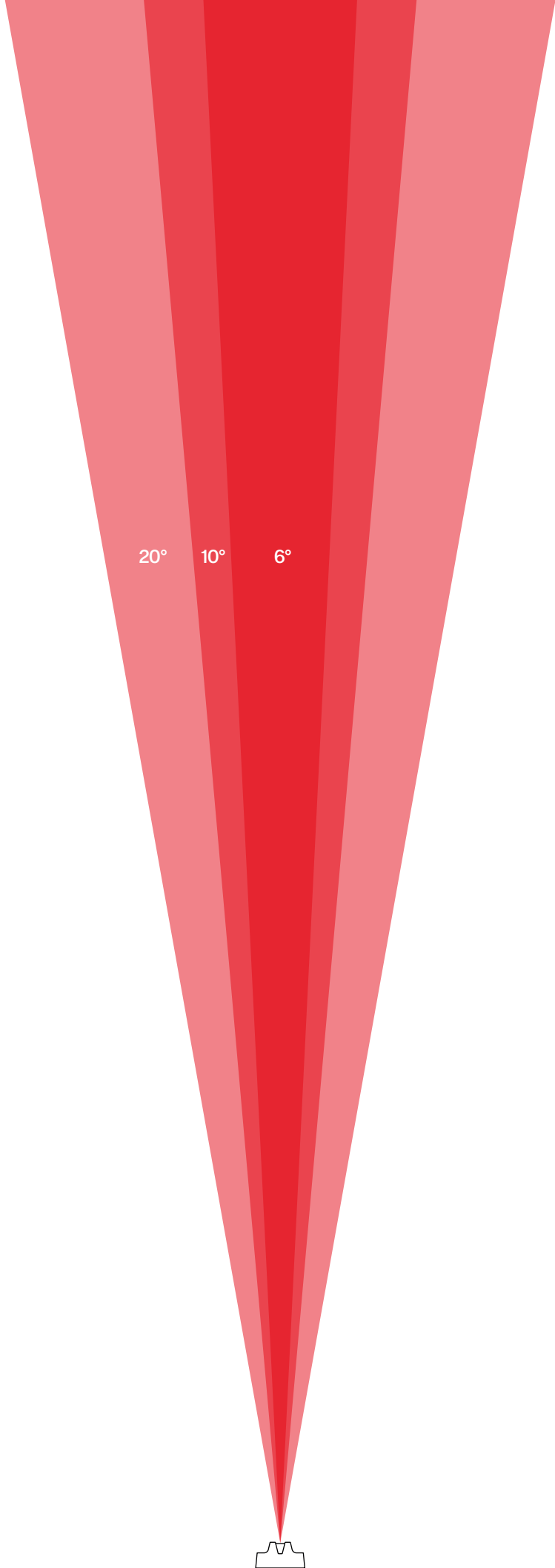
Versatile Beam Options

To meet varying lighting requirements, the Agame luminaire is available in three distinct beam angles:

6° Beam: This option is perfect for creating a focused, intense beam of light that highlights specific architectural features or creates dramatic accents. The narrow 6° beam is ideal for emphasizing intricate details in window frames or arches, providing precision and clarity to enhance the visual impact of your design.

10° Beam: The 10° beam offers a balanced option that provides a broader beam while still maintaining a degree of focus. This beam angle is suitable for areas where you need both intensity and spread, delivering a harmonious blend of light that can accentuate architectural elements without overwhelming the space. It strikes the perfect balance between pinpoint illumination and wide coverage.

20° Beam: For wider coverage and a softer light spread, the 20° beam is your go-to choice. This beam angle ensures that larger areas are evenly illuminated, creating a warm and inviting ambiance. The 20° beam is ideal for illuminating expansive window frames and arches, ensuring that every detail is bathed in a gentle, even light that enhances the overall aesthetic without sacrificing the distinct contours of your architectural elements.



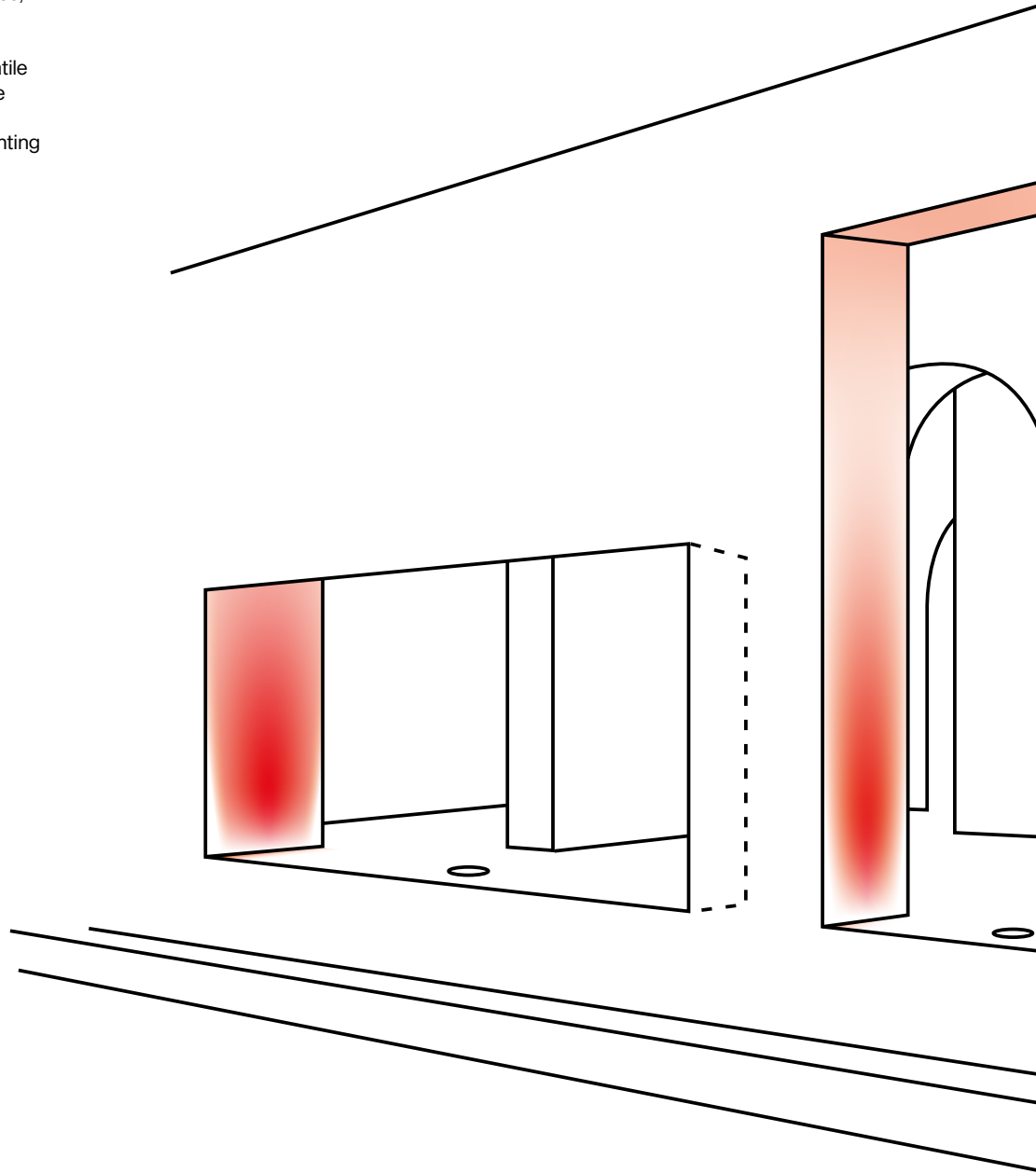
20°

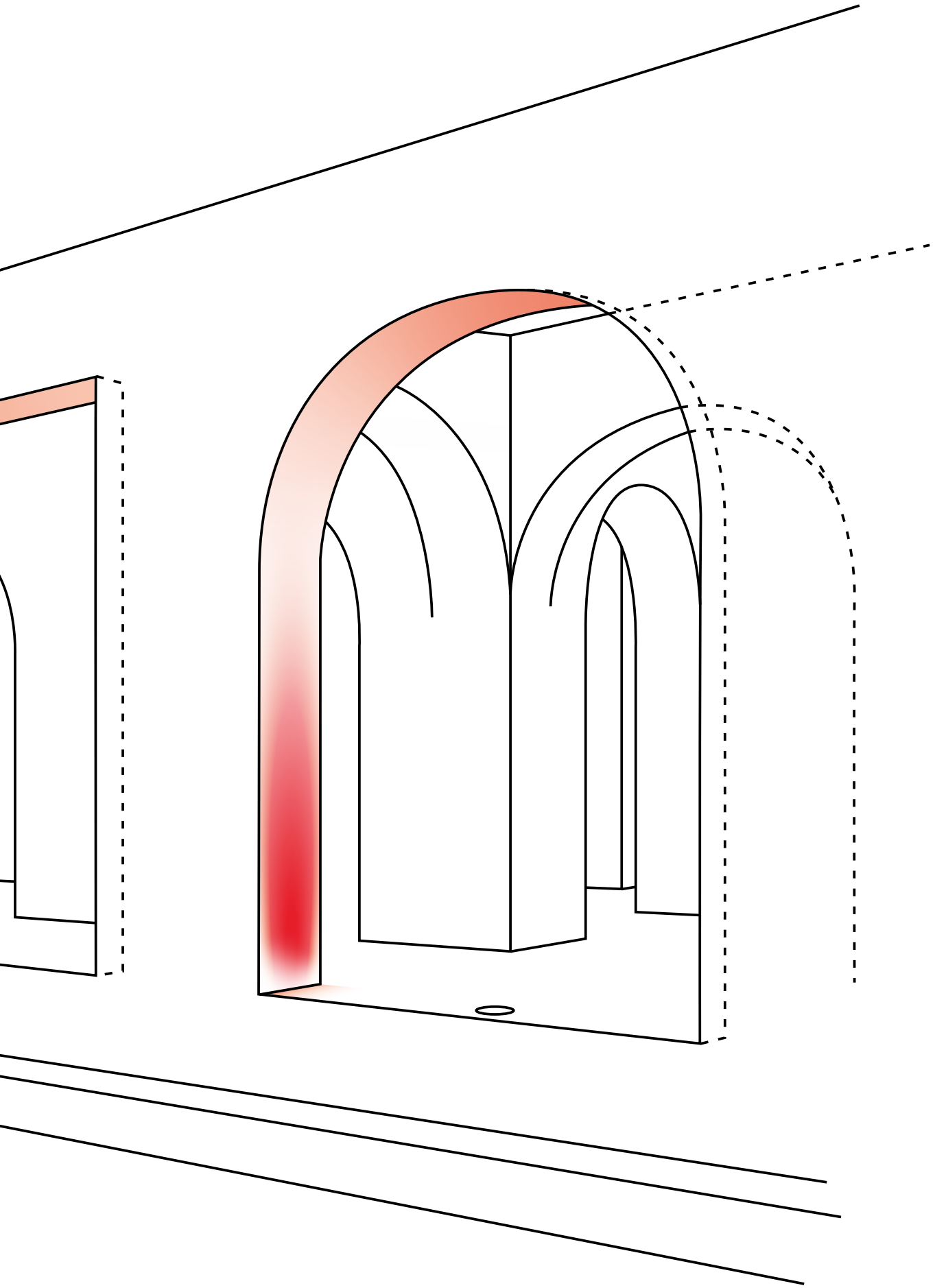
10°

6°

Application Flexibility

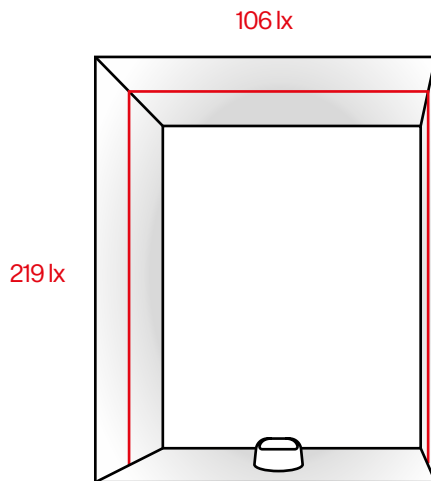
The Agame luminaire is highly adaptable, making it perfect for illuminating window frames, arches, and other architectural features. Its compact design ensures it integrates unobtrusively into various settings, delivering powerful and versatile lighting effects. Whether accentuating intricate details or enhancing the overall appearance of building exteriors, Agame provides tailored lighting solutions for a wide range of applications.



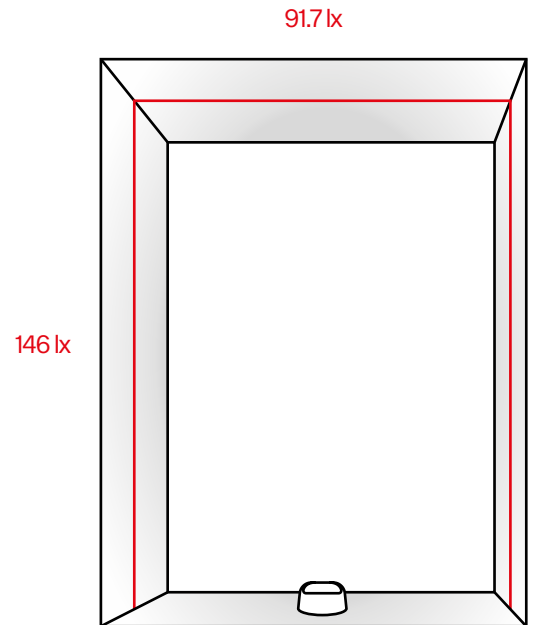


Uniform Illumination for All Openings

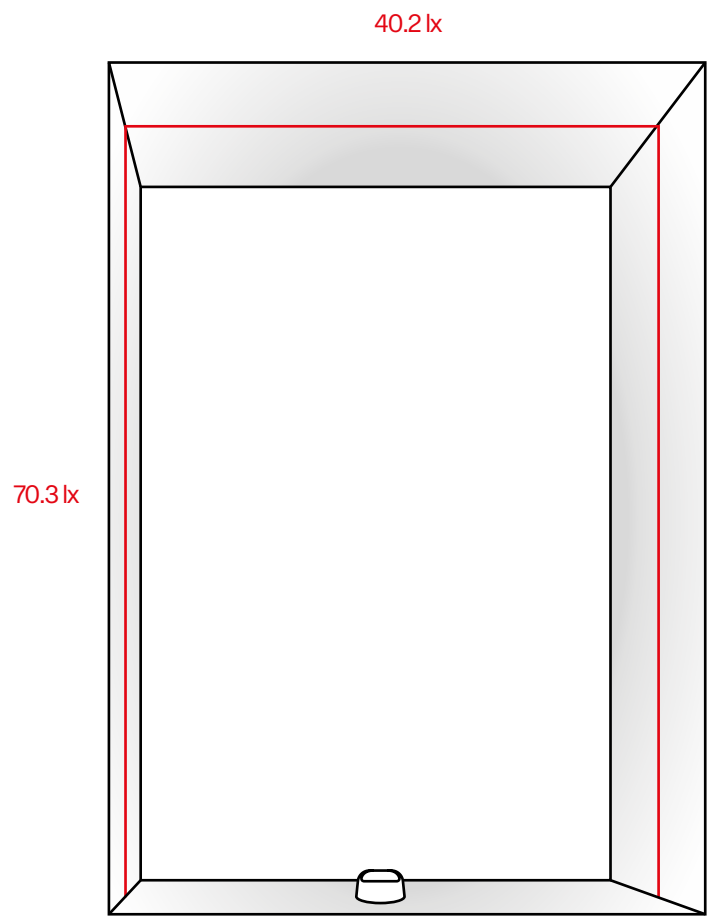
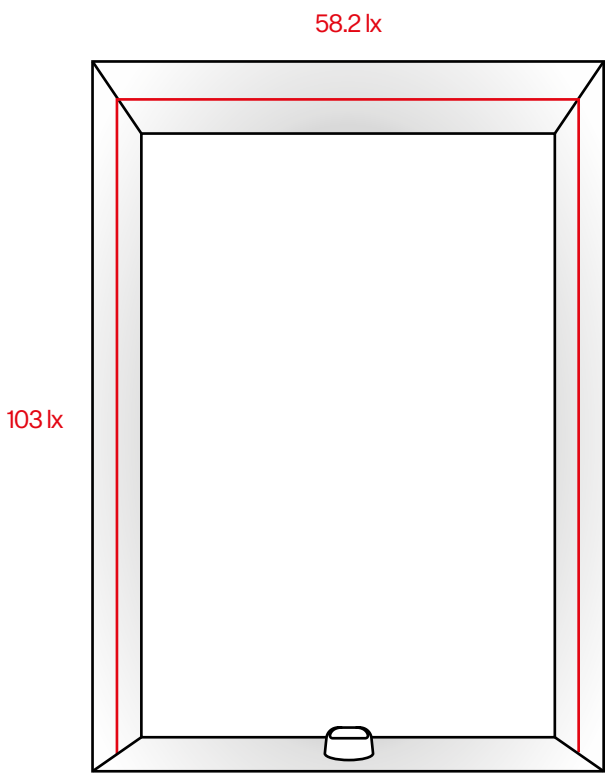
One of the standout features of the Agame is its exceptional adaptability. Designed with flexibility in mind, the Agame flawlessly integrates into any window frame or arch configuration. This is made possible by our innovative use of frost filters and optical foils, ensuring a precise fit and perfect illumination every time. Transform any space with the versatile and elegant Agame luminaire.



120 × 150 cm

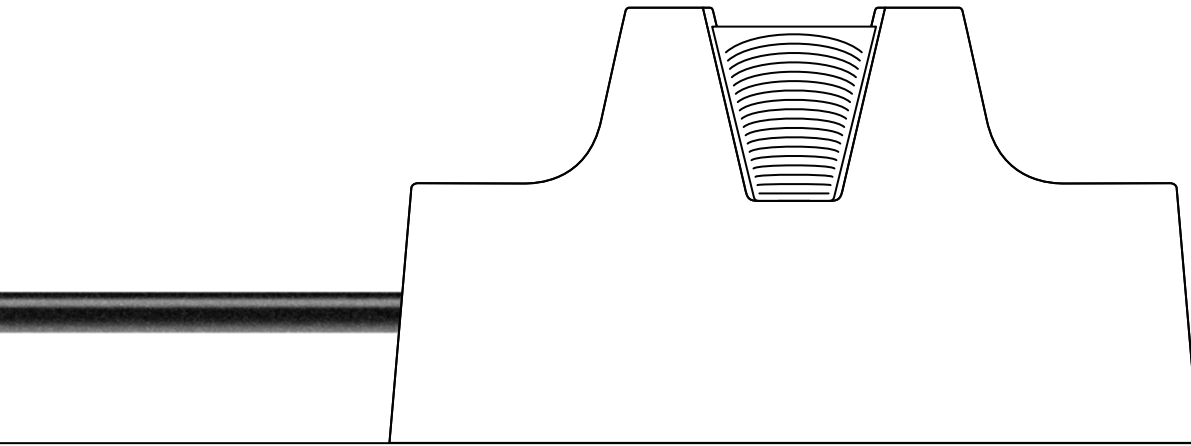


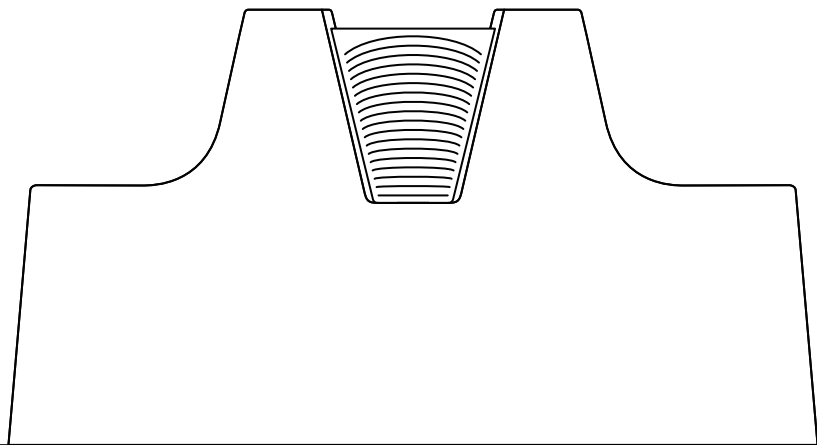
150 × 200 cm



Mounting options

In terms of mounting options, Agame offers standard configurations with the cable exiting from the back of the fixture, as well as a rear version where the cable exits from the bottom. Additionally, it can adjust to different sill inclinations with its adjustable “legs,” ensuring a precise fit and optimal lighting performance.





Agame Rear



AgameTM series

Product
Type

Product Overview
Page Number



Agame™

28

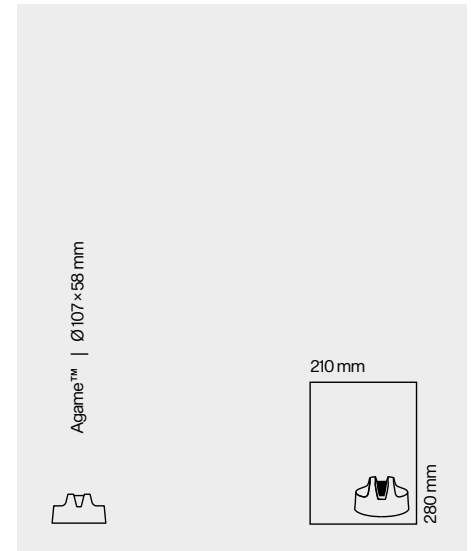
Agame™



The Agame luminaire is a multifunctional lighting solution with an IP67 rating, specifically crafted to accentuate the perimeters of windows and arches. This fixture, available in 8 W, produces a strikingly uniform monochromatic or RGBW / RGBA line of light, enhancing the aesthetic appeal of architectural façades. Additionally, the Agame luminaire has a 180° beam angle, ensuring wide and even light distribution across the intended area.



Scale



Lumen Output & Light Source

Available in range of RGBW and RGBA colour configurations, the high-efficiency LED modules of the Agame provides the highest possible luminous flux 122 lm. With the equally homogenised light output is secured by precisely designed output optics, and the fixture provides a 90 000 hour LED lifetime guaranteeing a dependable performance.

Control

Thanks to our unique L3 (low light linearity) 18-bit dimming system, exceptionally smooth fade to black and colour mixing are now possible. The fixture's remote setting and device management is realised through E-Box Remote.

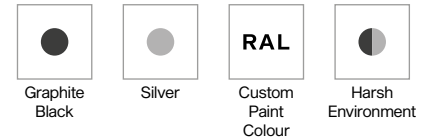
Installation

The durable cast aluminium body provides a compact, stylish and easy-to-mount solution. The fixtures physical dimensions are $\varnothing 107 \times 58$ mm ($\varnothing 4.25 \times 2.3$ in.) and it weighs 0.45 kg (0.99 lbs).

Product Variant



Finish Options



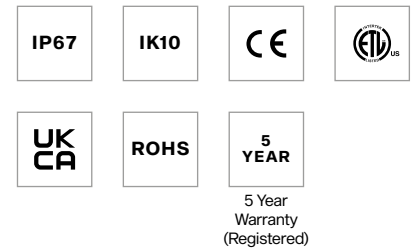
Optic Options



Control & Protocols



Standards and Certifications



Agame™ series



www.anolislighting.com

info@anolis.eu
+420 571 751 500

Head Office

Anolis
Házovice 2090
756 61 Rožnov pod Radhoštěm
Czech Republic

Factory

Anolis
Palackého 416
757 01 Valašské Meziříčí
Czech Republic

Graphics, composition
KNOW HOW solutions s.r.o.

Issue
EN 08/2024

© 2024 Anolis
All specifications subject to change without notice.

